



US00D788550S

(12) **United States Design Patent**
Waldron

(10) **Patent No.:** **US D788,550 S**
(45) **Date of Patent:** **** Jun. 6, 2017**

(54) **HOUSING FOR STEAM EMITTING WEED KILLER**

(71) Applicant: **7RDD Limited**, North Yorkshire (GB)

(72) Inventor: **Michael Waldron**, North Yorkshire (GB)

(73) Assignee: **7RDD Limited**, North Yorkshire (GB)

(**) Term: **14 Years**

(21) Appl. No.: **29/517,821**

(22) Filed: **Feb. 17, 2015**

(51) **LOC (10) Cl.** **08-01**

(52) **U.S. Cl.**
USPC **D8/1**

(58) **Field of Classification Search**
USPC D8/1, 2; D32/17, 21
CPC A01M 7/0042; A01M 21/04; D06F 7/00;
D06F 3/00

See application file for complete search history.

(56) **References Cited**

U.S. PATENT DOCUMENTS

D445,973 S *	7/2001	Chen	D32/21
D468,496 S *	1/2003	Smith	D32/17
D499,517 S *	12/2004	Chen	D32/17
D500,180 S *	12/2004	Meyer	D32/17
D601,767 S *	10/2009	Duncan	D32/17
D620,550 S *	7/2010	Feith	D23/214

D652,185 S *	1/2012	Mu	D32/21
D670,044 S *	10/2012	Andreesen	D32/17
2011/0283609 A1 *	11/2011	Leach	A01M 21/04 47/1.43
2014/0103138 A1 *	4/2014	Hobbs	A01M 7/0042 239/130

* cited by examiner

Primary Examiner — Sheryl Lane

(74) *Attorney, Agent, or Firm* — McKee, Voorhees & Sease, PLC

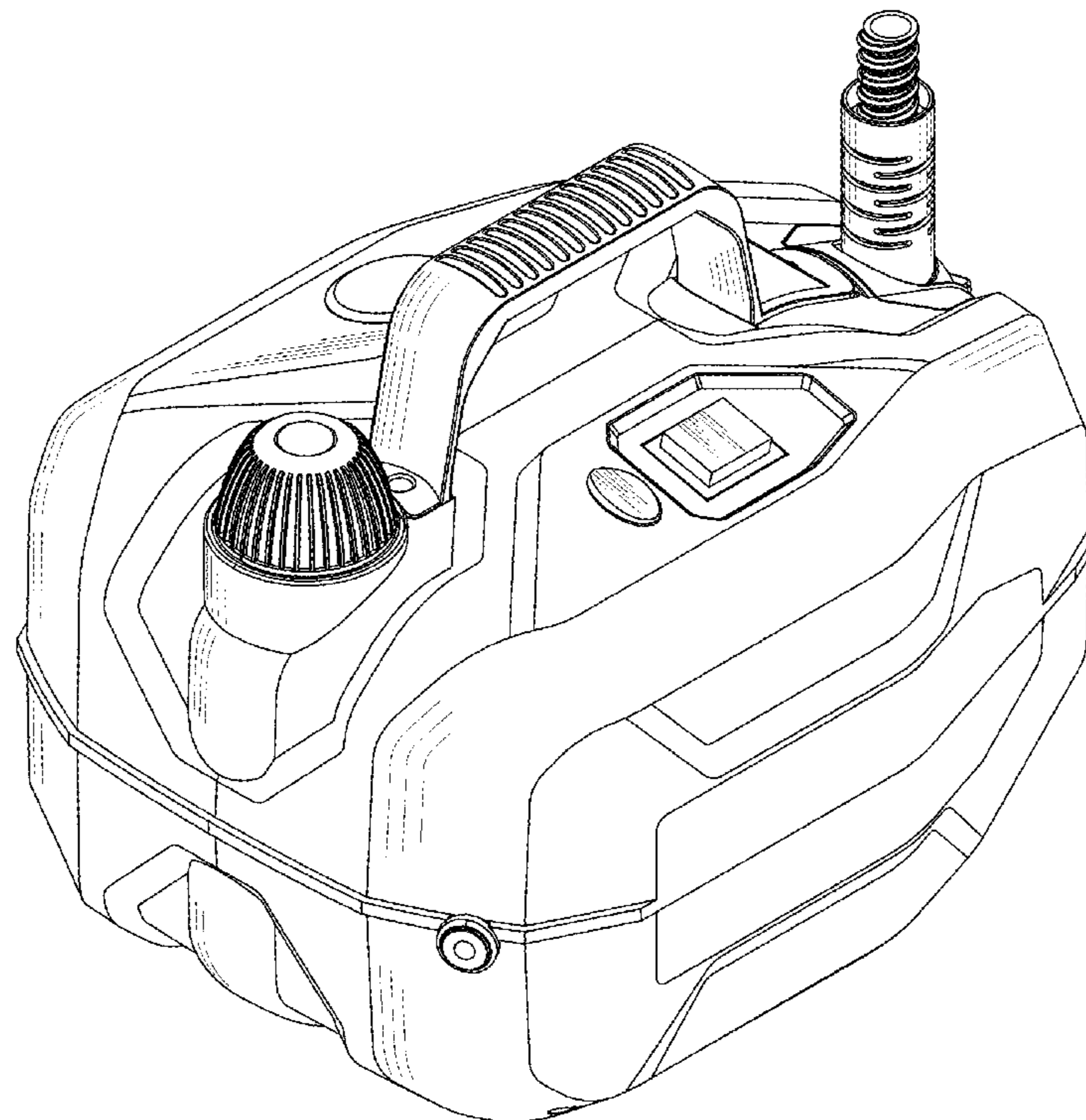
(57) **CLAIM**

The ornamental design for a housing for steam emitting weed killer, as shown and described.

DESCRIPTION

FIG. 1 is a perspective view of a housing for a steam emitting weed killer according to the present invention; FIG. 2 is a front view of the housing for the steam emitting weed killer shown in FIG. 1; FIG. 3 is a left side view of the housing for the steam emitting weed killer shown in FIG. 1; FIG. 4 is a right side view of the housing for the steam emitting weed killer shown in FIG. 1; FIG. 5 is a top view of the housing for the steam emitting weed killer shown in FIG. 1; FIG. 6 is a rear view of the housing for the steam emitting weed killer shown in FIG. 1; and, FIG. 7 is a bottom view of the housing for the steam emitting weed killer shown in FIG. 1.

1 Claim, 7 Drawing Sheets



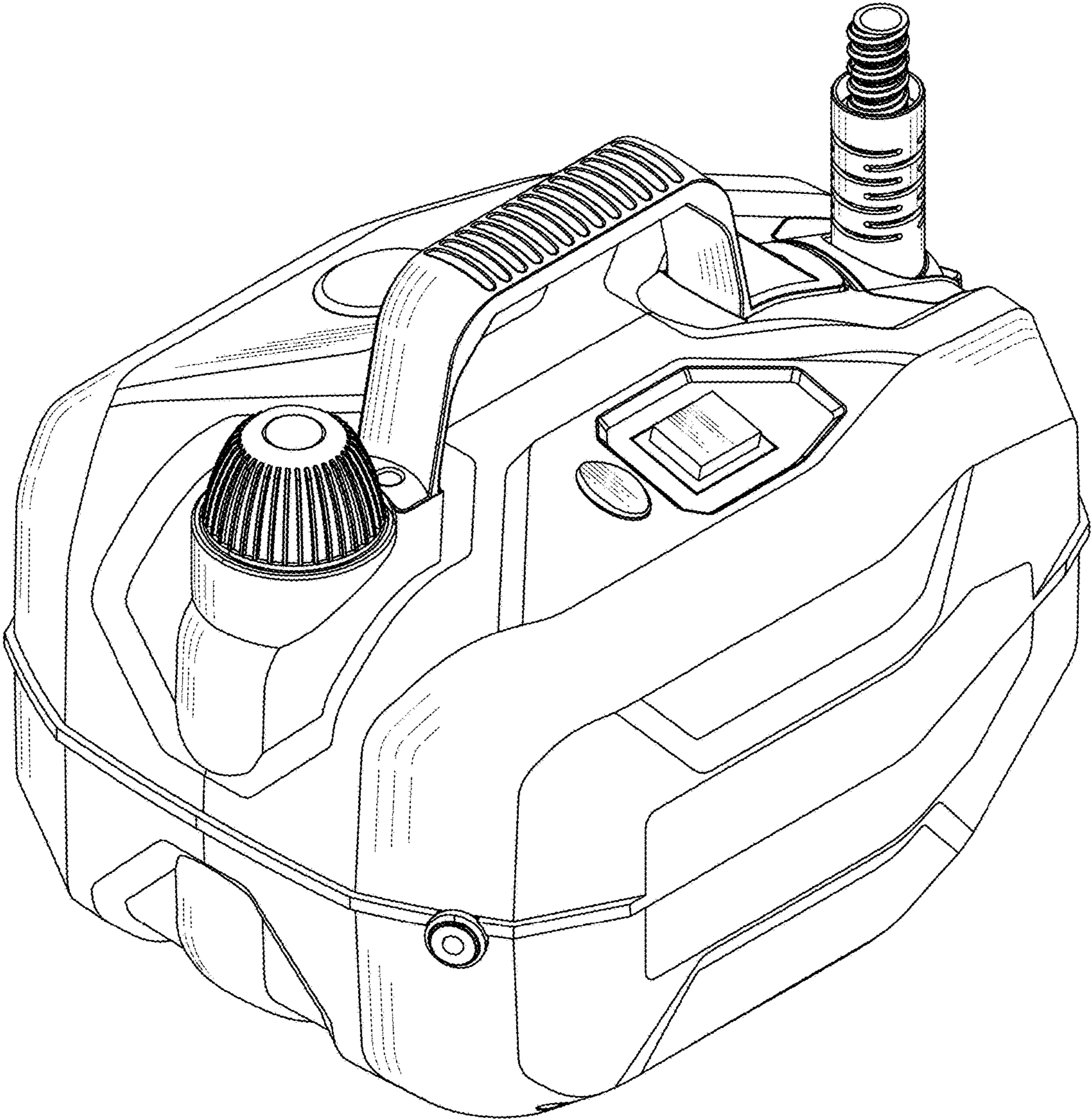


Fig. 1

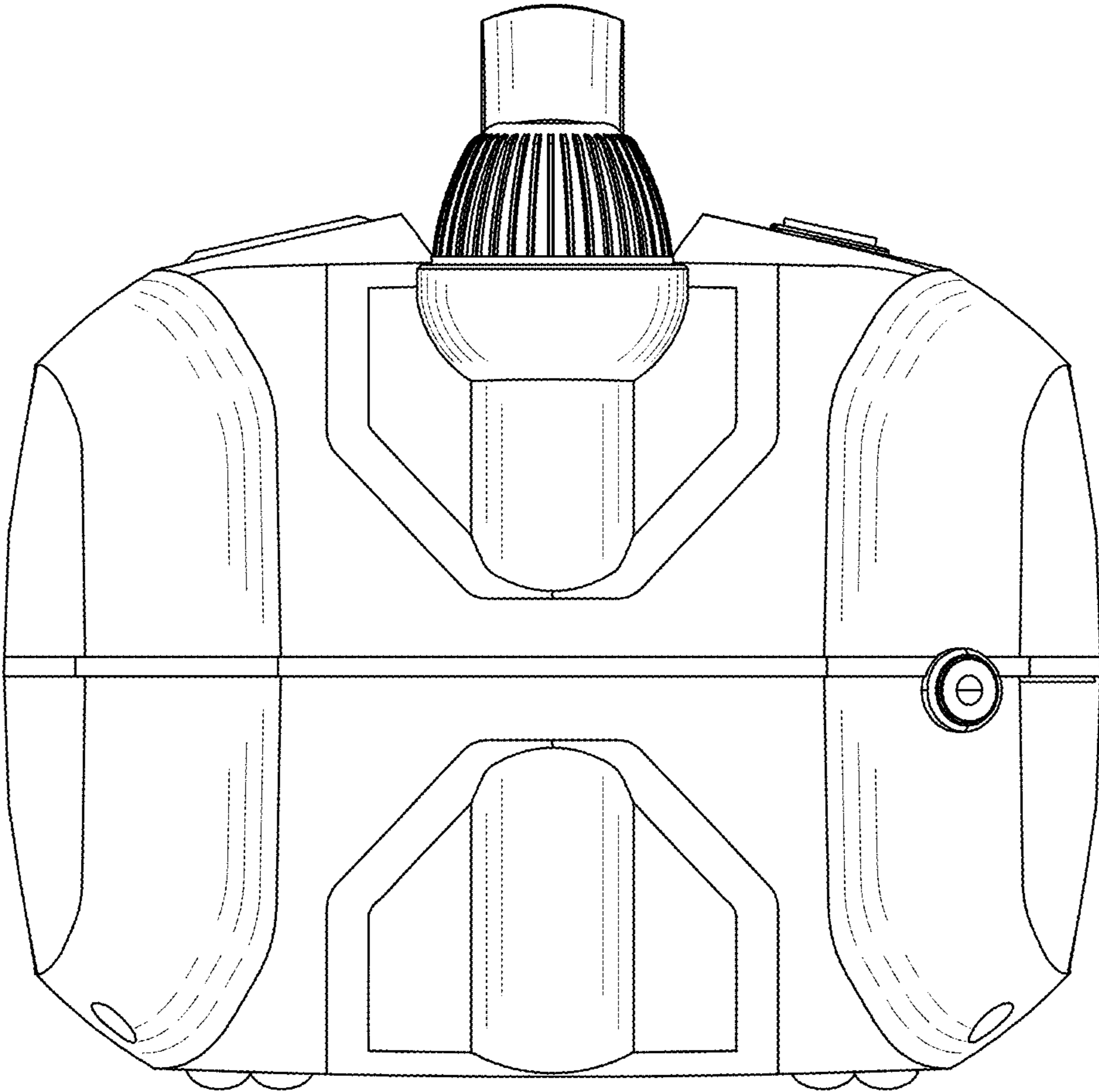


Fig. 2

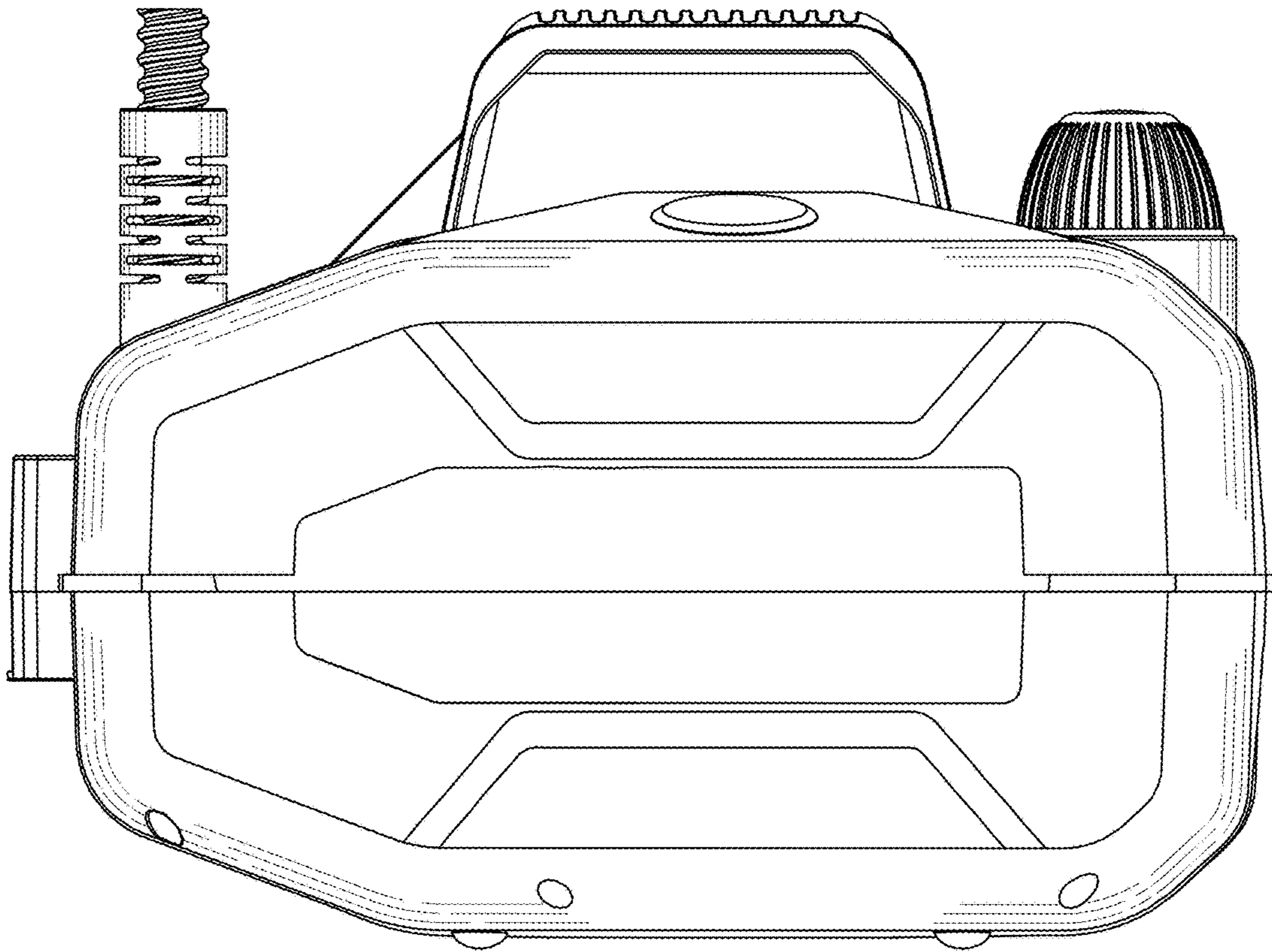


Fig. 3

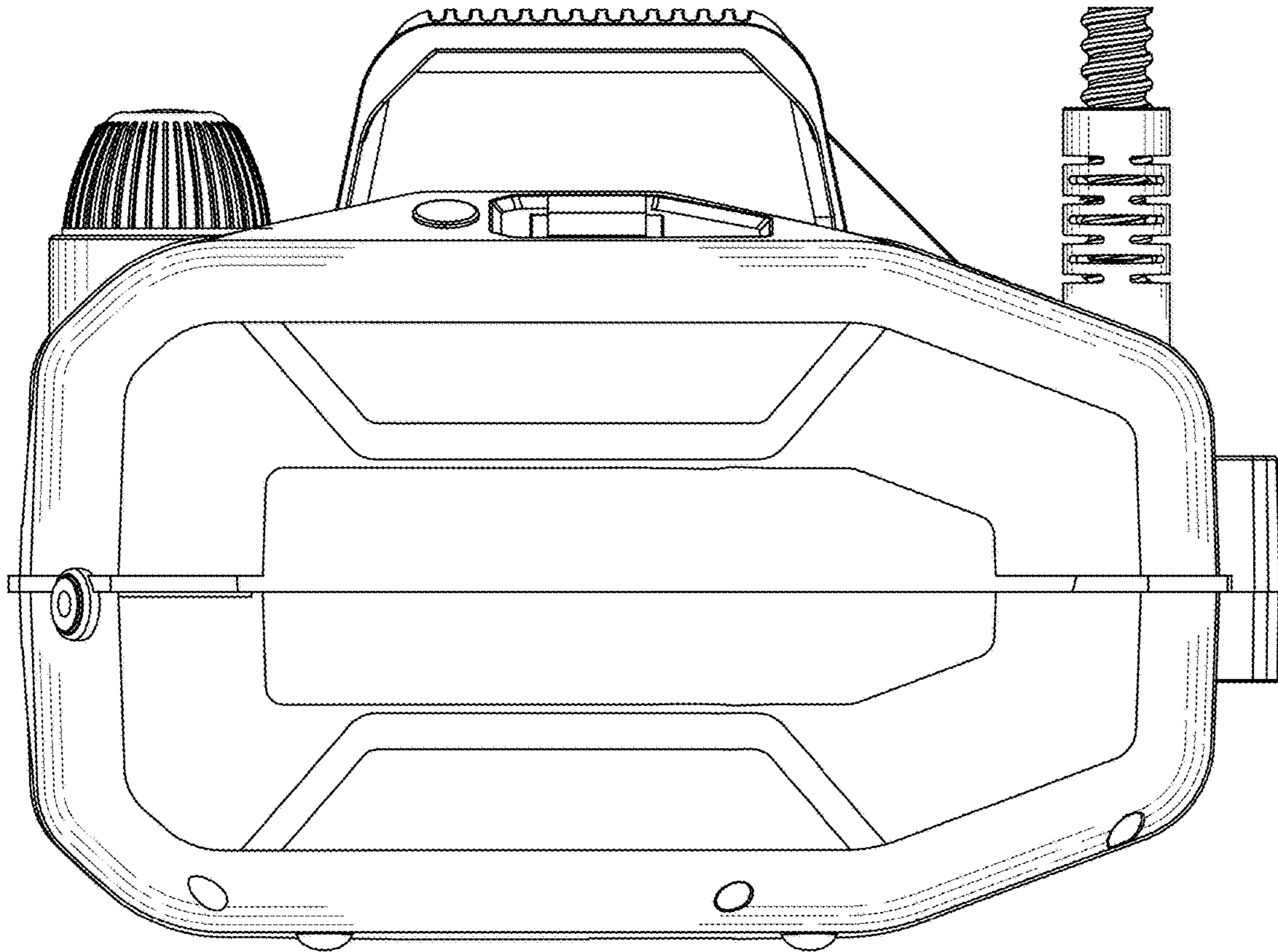


Fig. 4

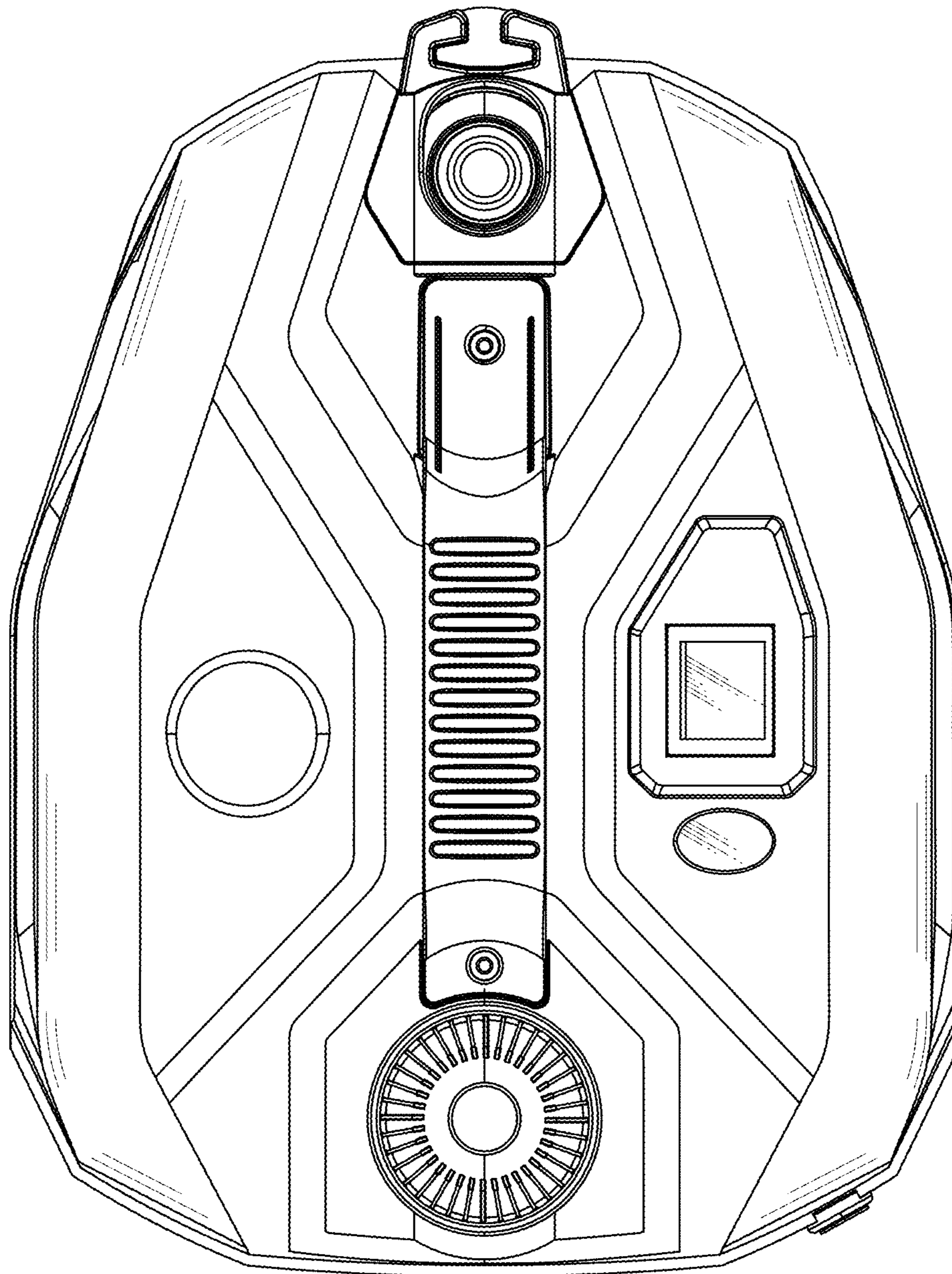


Fig. 5

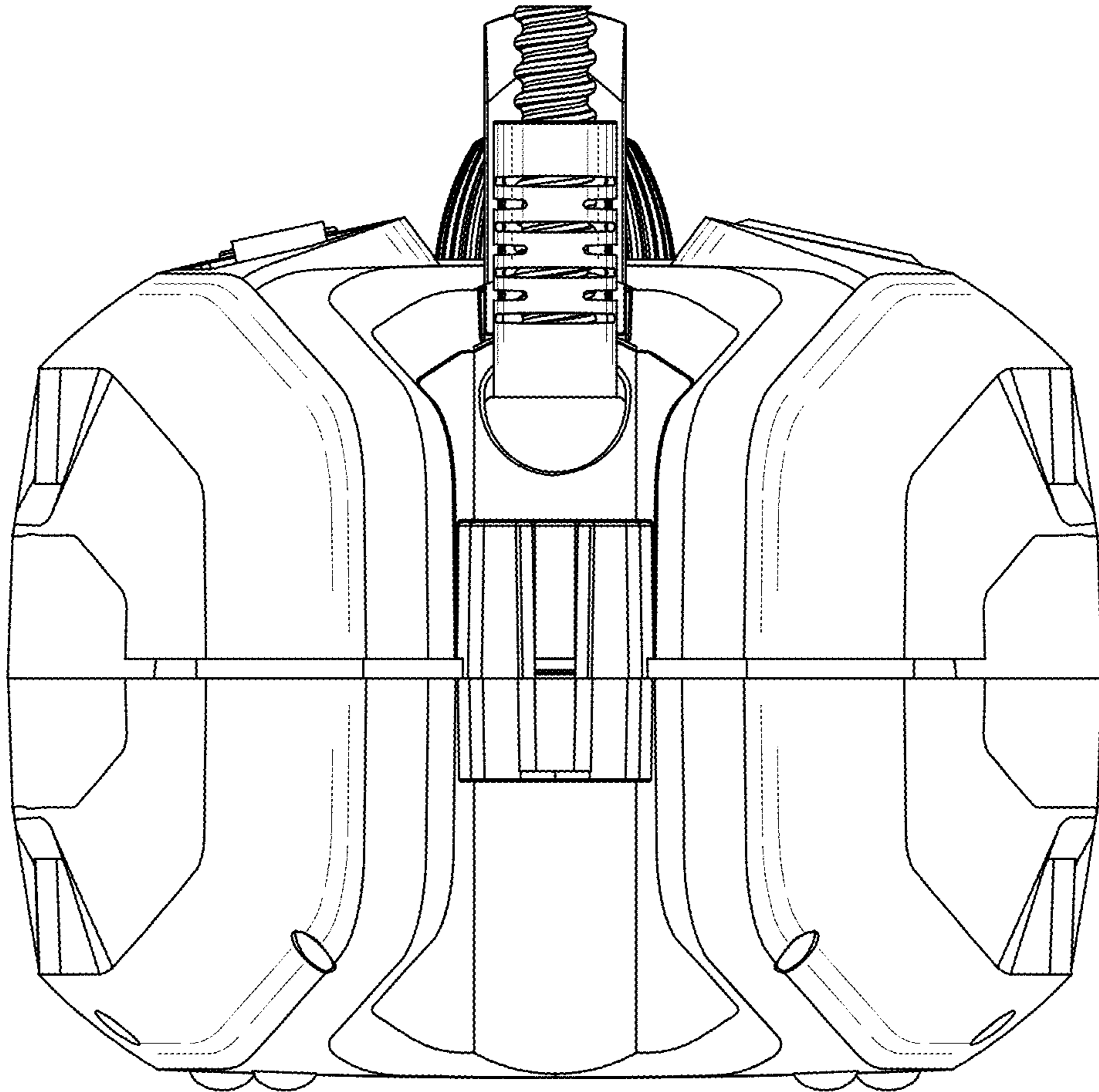


Fig. 6

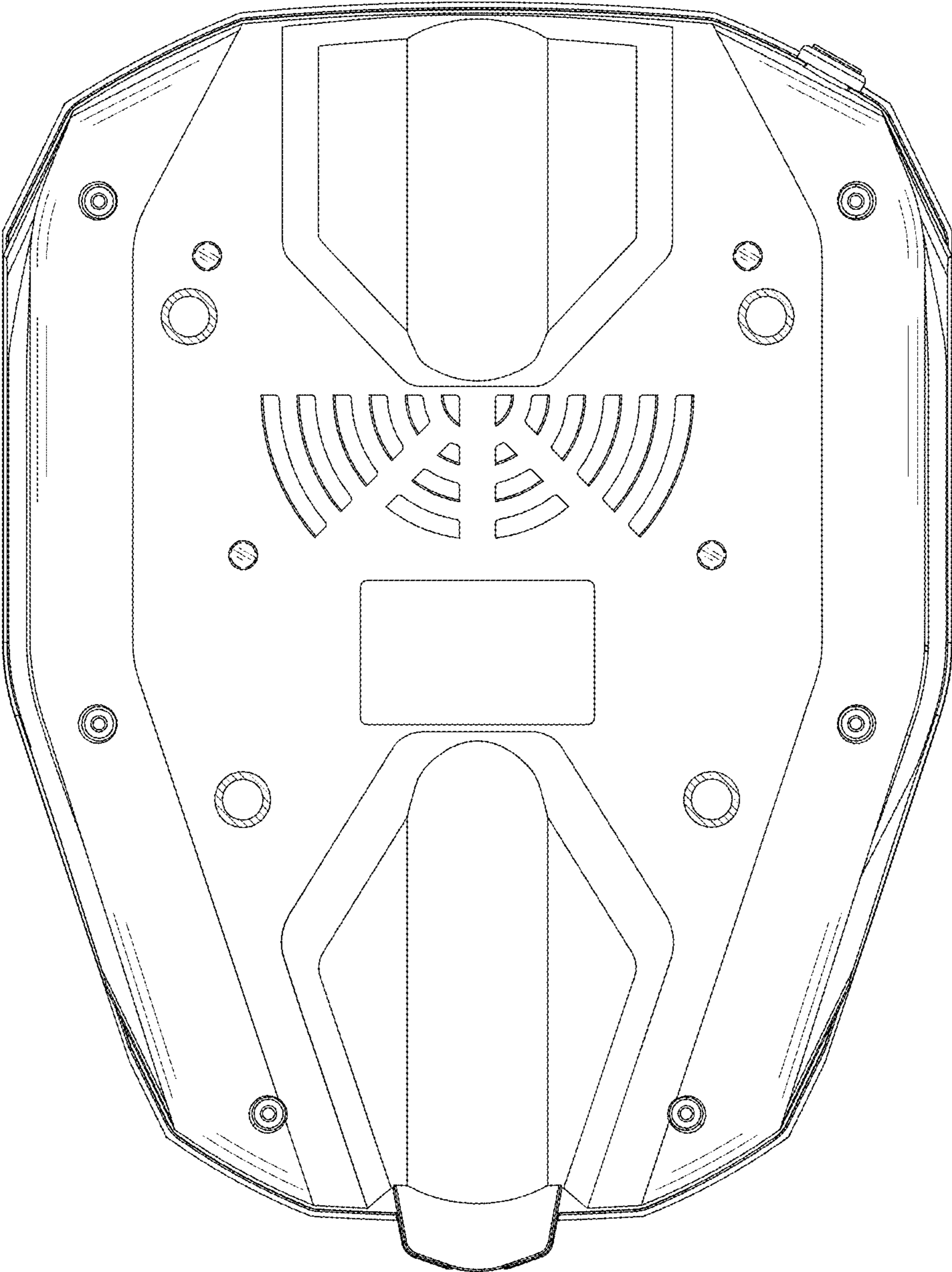


Fig. 7