



US00D788549S

(12) **United States Design Patent**
Karussi et al.

(10) **Patent No.:** **US D788,549 S**
(45) **Date of Patent:** **** Jun. 6, 2017**

(54) **CADDY FOR DRINKING VESSELS**

- (71) Applicant: **Tervis Tumbler Company**, North Venice, FL (US)
- (72) Inventors: **Kurt Karussi**, Osprey, FL (US); **Aaron Abroff**, Acton, MA (US); **Joongoo Lee**, Quincy, MA (US)
- (73) Assignee: **Tervis Tumbler Company**, North Venice, FL (US)
- (**) Term: **15 Years**

- (21) Appl. No.: **29/550,787**
- (22) Filed: **Jan. 7, 2016**
- (51) **LOC (10) Cl.** **07-06**
- (52) **U.S. Cl.**
USPC **D7/706**
- (58) **Field of Classification Search**
USPC D3/304, 307, 308, 310, 313, 315;
D7/619.1, 620, 622, 701, 704, 705, 706,
D7/707, 708, 708.1, 709; D9/434, 455,
D9/457
CPC B65D 1/22; B65D 71/0003
See application file for complete search history.

(56) **References Cited**

U.S. PATENT DOCUMENTS

| | | | | | |
|------------|---|---------|----------|-------|----------------------|
| D139,560 S | * | 11/1944 | Wentling | | 211/74 |
| D139,561 S | * | 11/1944 | Wentling | | 211/74 |
| D139,562 S | * | 11/1944 | Wentling | | 211/74 |
| D148,883 S | * | 3/1948 | Panzer | | D7/546 |
| D156,290 S | * | 11/1949 | Stier | | D7/546 |
| D160,690 S | * | 10/1950 | Carlson | | D7/549 |
| D194,985 S | * | 4/1963 | Rifkind | | 206/203 |
| D210,613 S | * | 3/1968 | Moore | | F25D 25/00 D15/90 |

(Continued)

OTHER PUBLICATIONS

Bar Activity. Glass & Bottle Carrier. 2017 [earliest online date], [site visited Mar. 10, 2017]. Available from Internet, <URL:http://www.baractivity.com/glass-bottle-carrier.html>.*

(Continued)

Primary Examiner — Robert M Spear
Assistant Examiner — Darcey E Heflin
(74) *Attorney, Agent, or Firm* — Caesar Rivise, PC

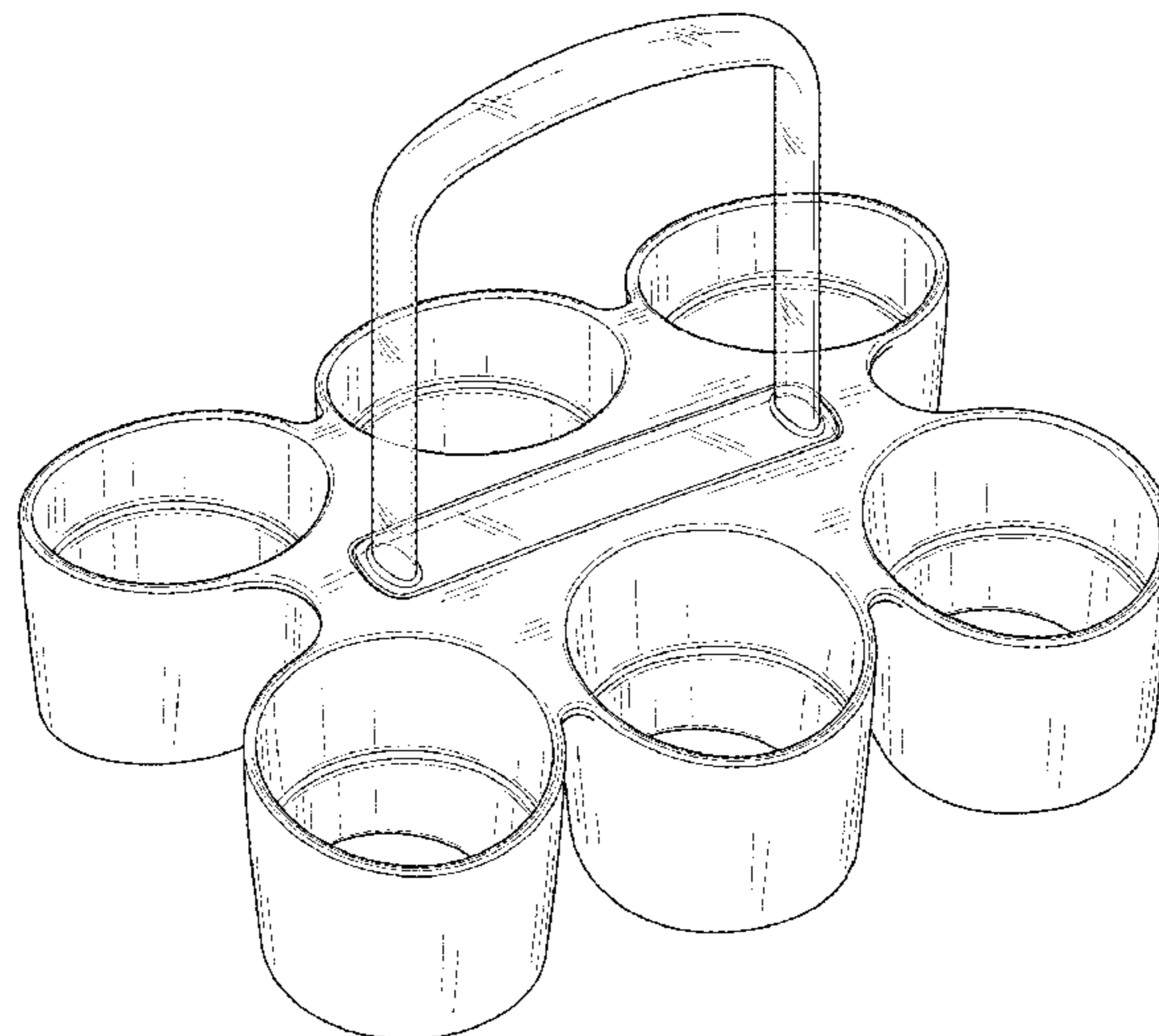
(57) **CLAIM**

The ornamental design for the caddy for drinking vessels, as shown and described.

DESCRIPTION

FIG. 1 is an isometric view of a caddy for drinking vessels in accordance with our new design;
 FIG. 2 is a front and rear elevation view of the caddy for drinking vessels shown in FIG. 1;
 FIG. 3 is a left side and right side elevation view of the caddy for drinking vessels shown in FIG. 1;
 FIG. 4 is a top plan view of the caddy for drinking vessels shown in FIG. 1;
 FIG. 5 is a bottom view of the caddy for drinking vessels shown in FIG. 1;
 FIG. 6 is an isometric view of the handle portion of the caddy for drinking vessels shown removed from the caddy for drinking vessels for clarity of disclosure;
 FIG. 7 is a front and rear elevation view thereof;
 FIG. 8 is a left side and right side elevation view thereof;
 FIG. 9 is a top plan view thereof;
 FIG. 10 is a bottom plan view thereof;
 FIG. 11 is an isometric view of the vessel holding portion of the caddy for drinking vessels removed from the caddy for drinking vessels for clarity of disclosure;
 FIG. 12 is a front and rear elevation view thereof;
 FIG. 13 is a left side and right side elevation view thereof;
 FIG. 14 is a top plan view thereof; and,
 FIG. 15 is a bottom plan view thereof.

1 Claim, 15 Drawing Sheets



(56)

References Cited

U.S. PATENT DOCUMENTS

D214,334 S * 6/1969 Kner D7/546
D272,699 S * 2/1984 Godfrey 211/74
D274,131 S * 6/1984 Hayes D9/434
D320,722 S * 10/1991 Sanford D7/701
D488,036 S * 4/2004 Dimeo D7/708
D624,795 S * 10/2010 Koeleman D7/706
D657,241 S * 4/2012 Nidetz D8/301
8,230,697 B2 * 7/2012 Lavallee F25D 3/08
62/457.7
D668,147 S * 10/2012 Kelly D9/434
D686,784 S * 7/2013 Elliott D30/133
D704,551 S * 5/2014 Wycoff A47J 45/077
D9/434
D705,618 S * 5/2014 Reid, Jr. D7/701
D763,628 S * 8/2016 Griffin D7/620
D771,443 S * 11/2016 Griffin D7/505
D774,369 S * 12/2016 Harris D7/708
2012/0097555 A1 * 4/2012 Munn B65D 71/0003
206/139

OTHER PUBLICATIONS

Shop World Kitchen. Snapware Snap 'N Stack Cookie & Cupcake Carrier w/ Holder Trays. Jun. 8, 2011 [earliest online date], [site visited Mar. 10, 2017]. Available from Internet, <URL:<http://www.shopworldkitchen.com/snap-%27n-stack-cookie-cupcake-carrier-w--holder-trays/1098736.html>>.*

* cited by examiner

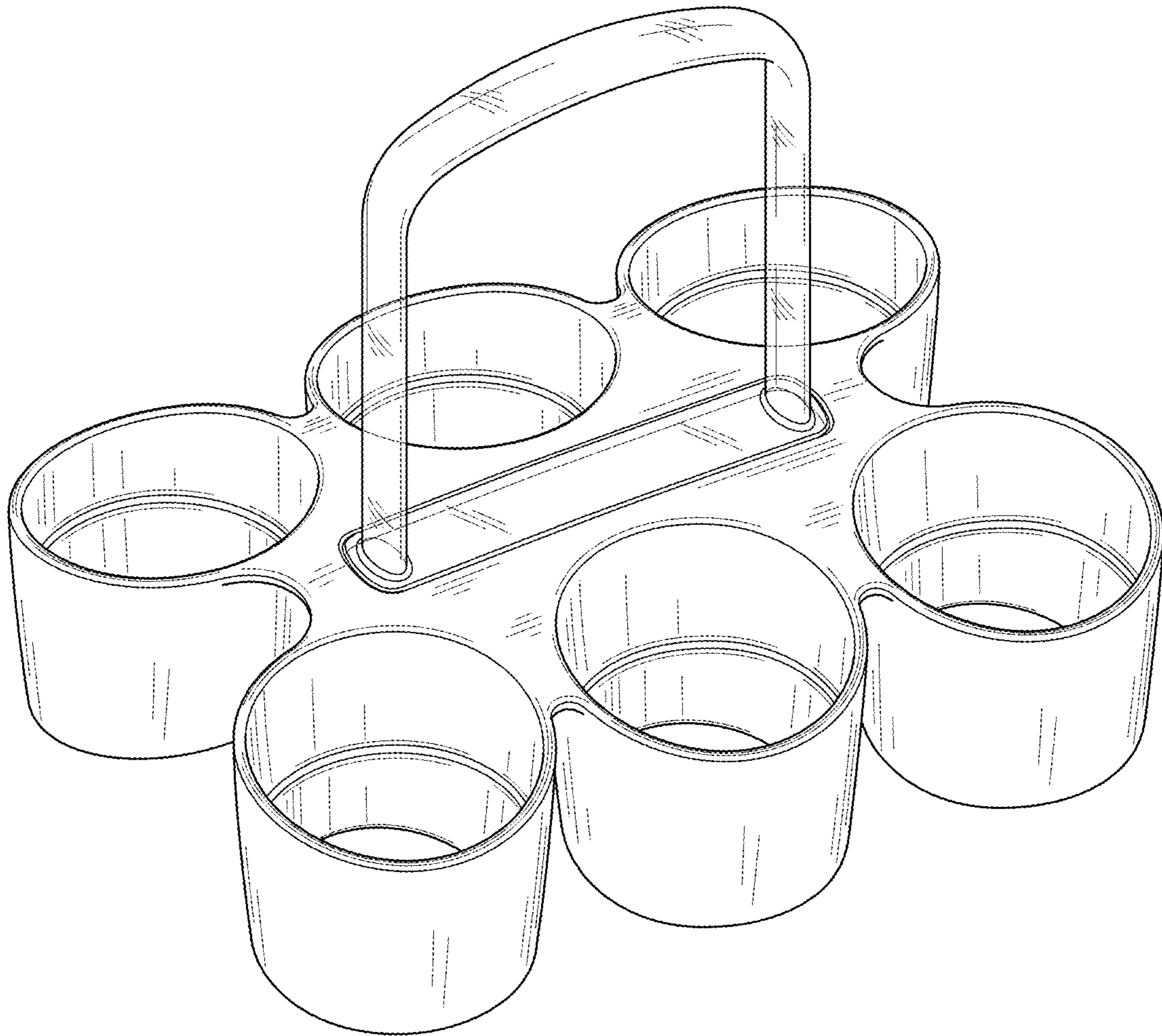


FIG. 1

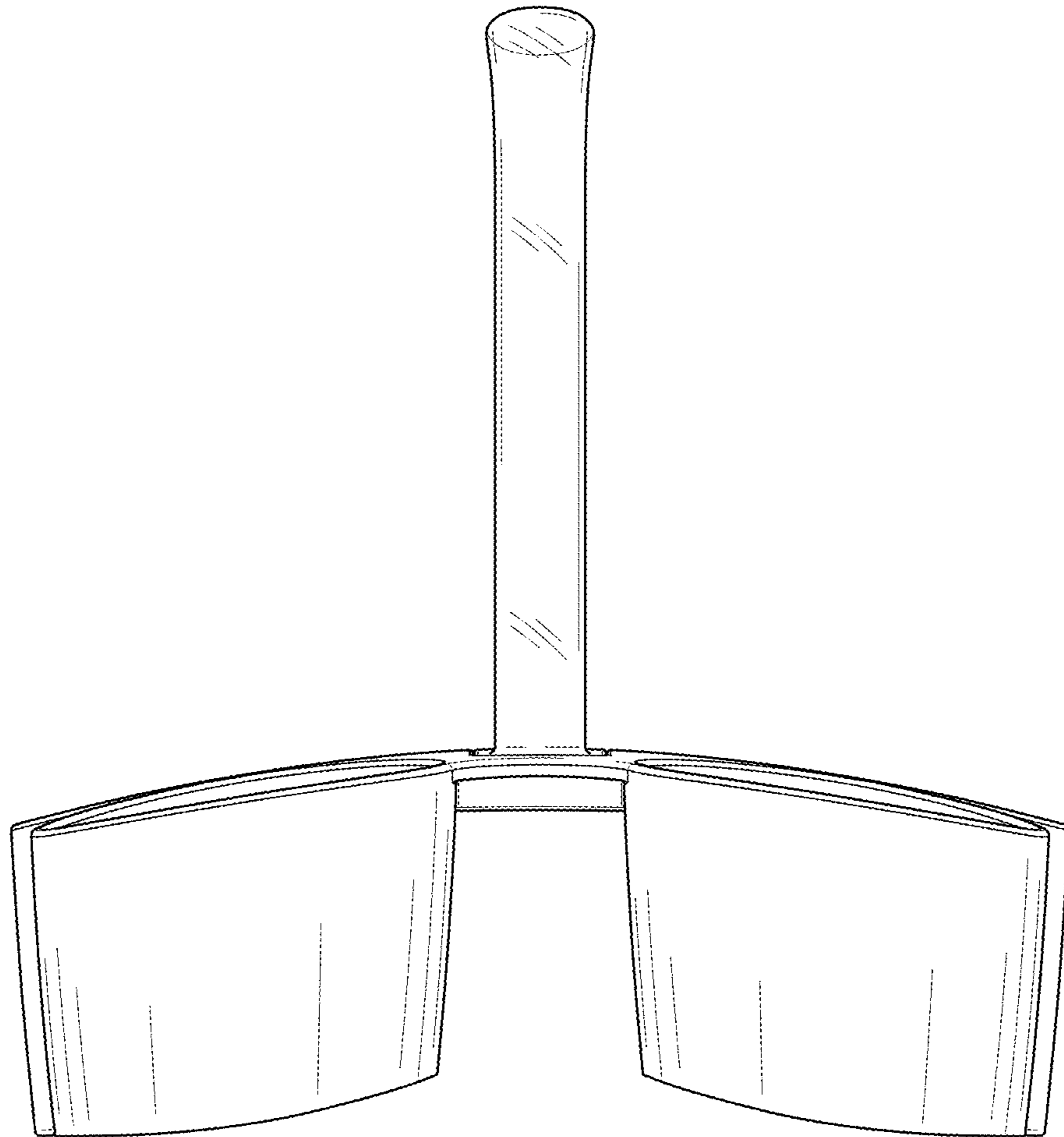


FIG. 2

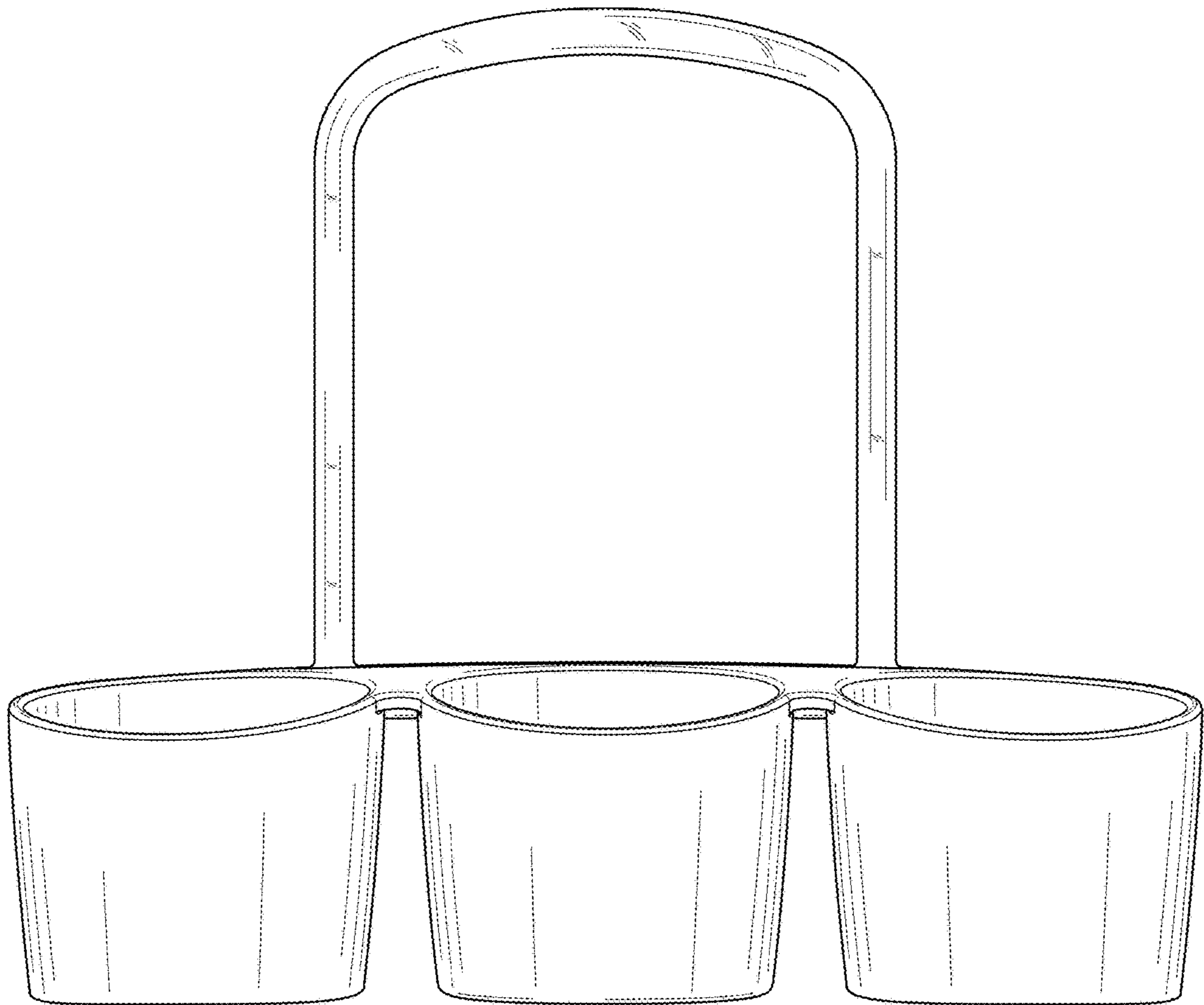


FIG. 3

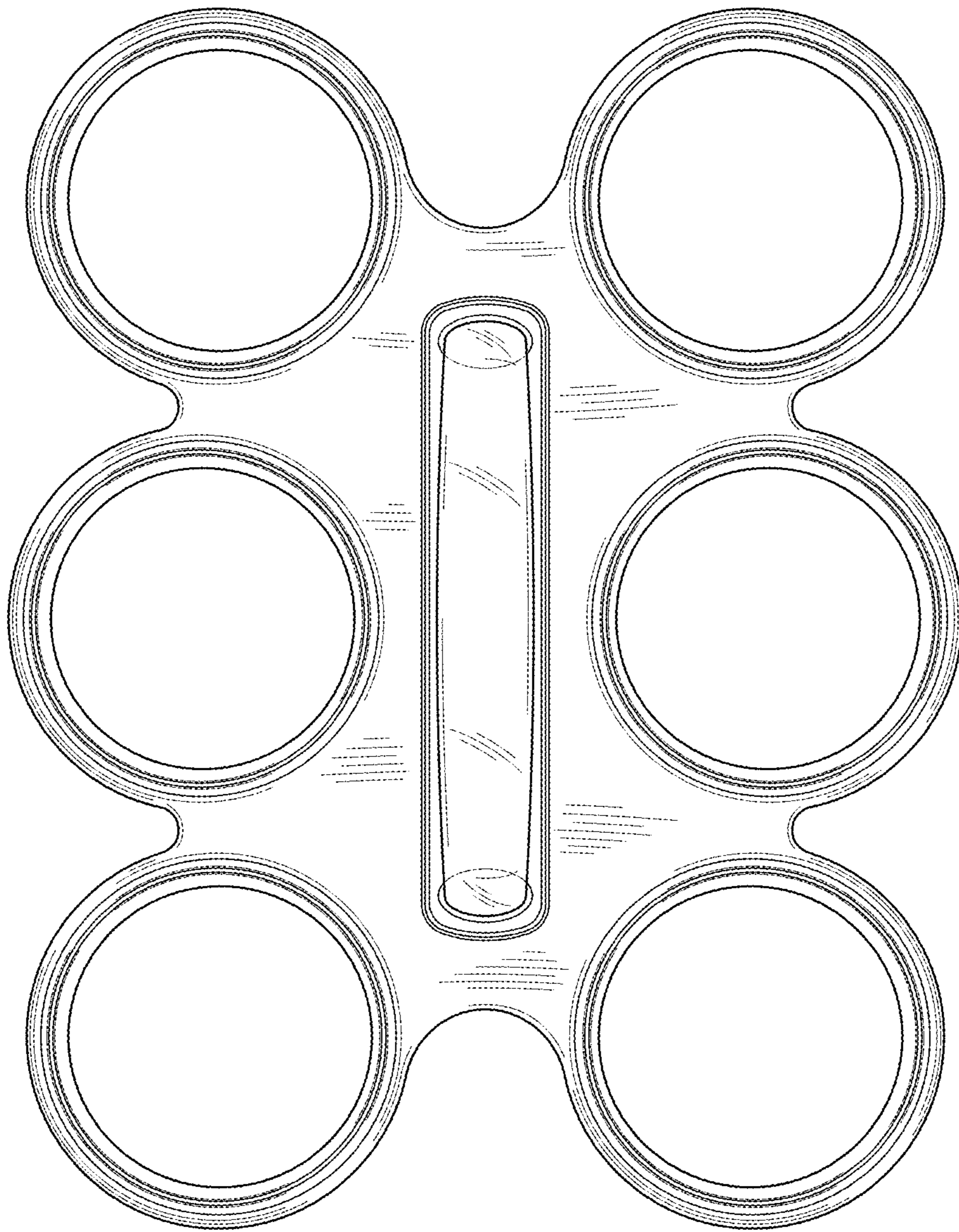


FIG. 4

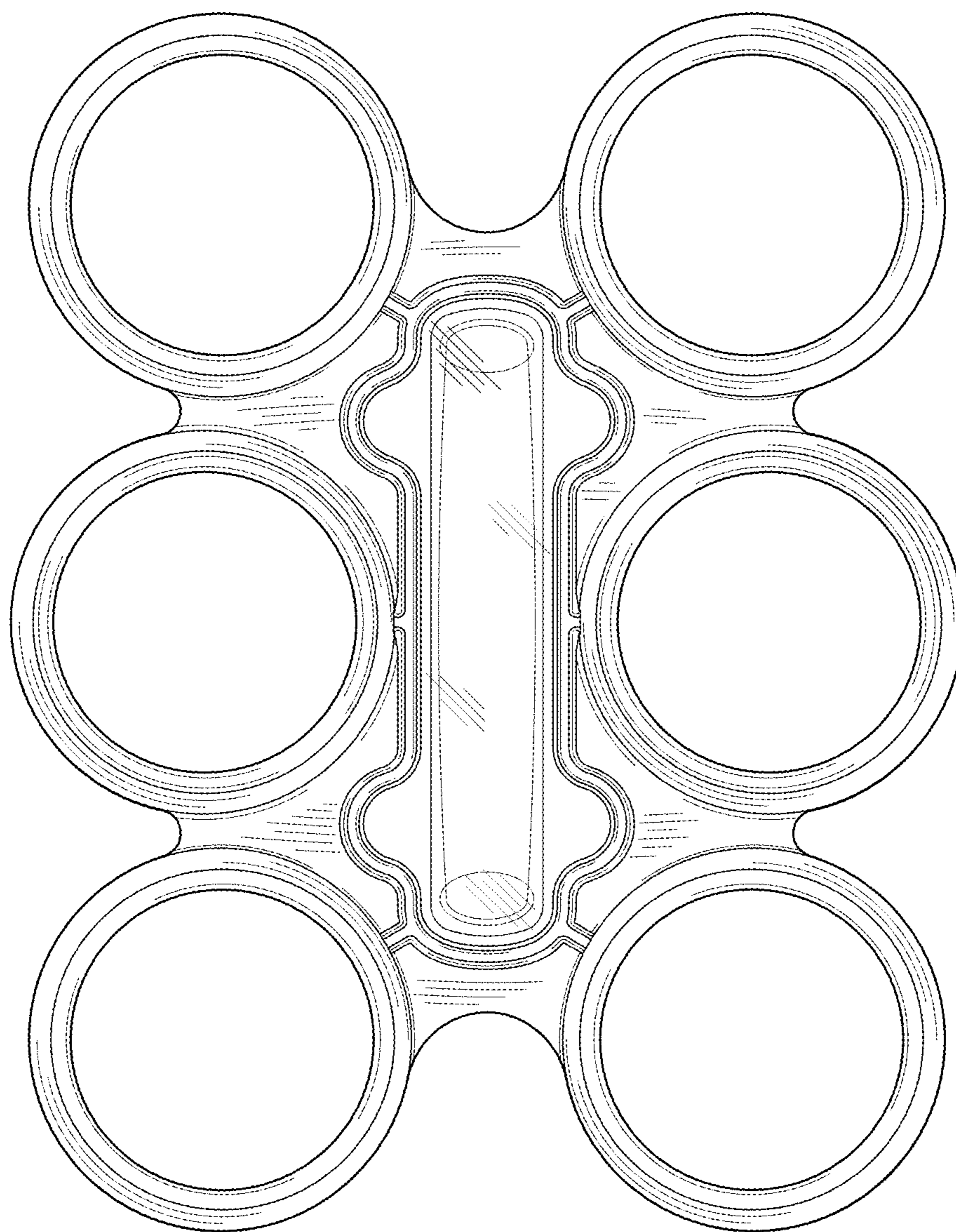


FIG. 5

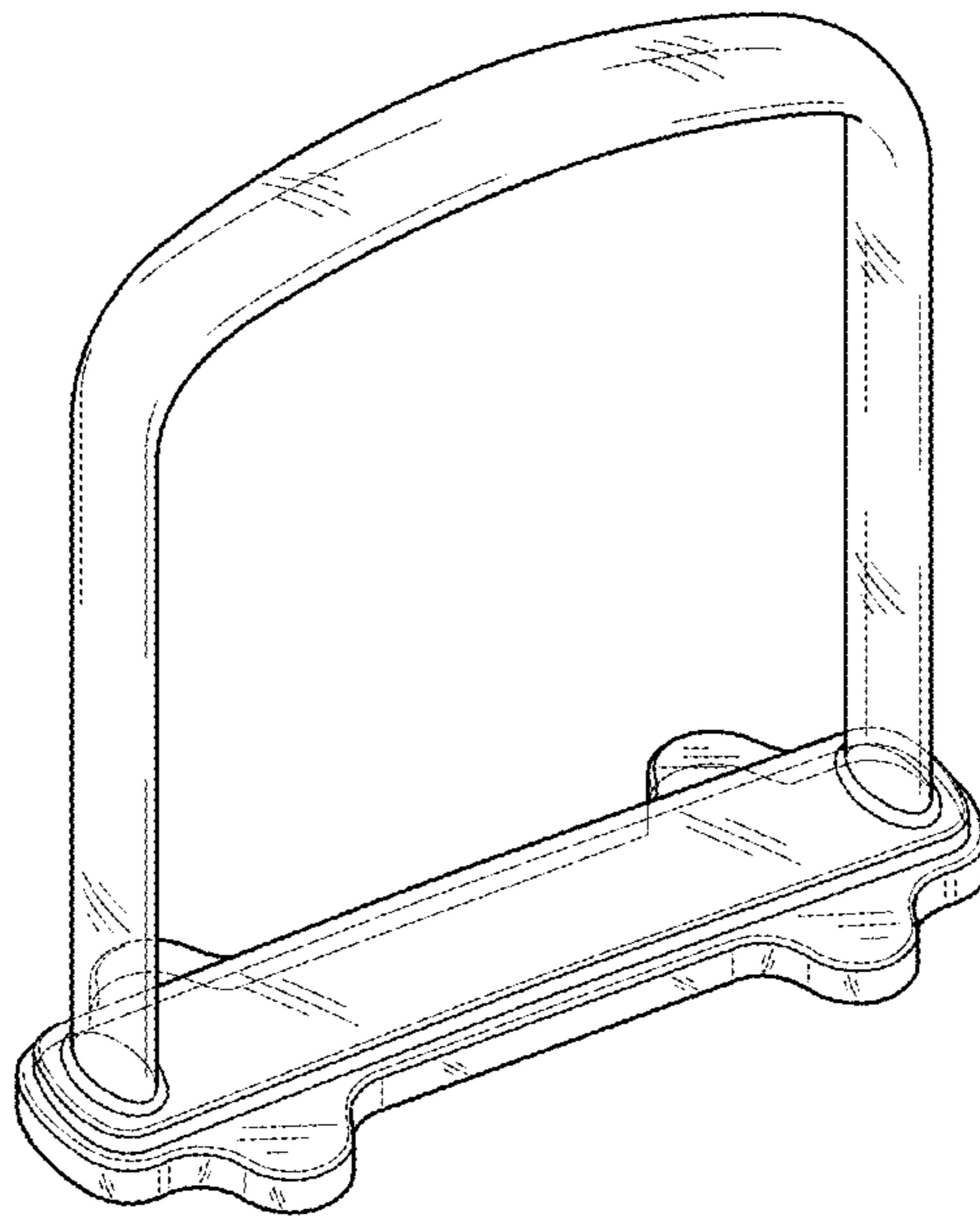


FIG. 6

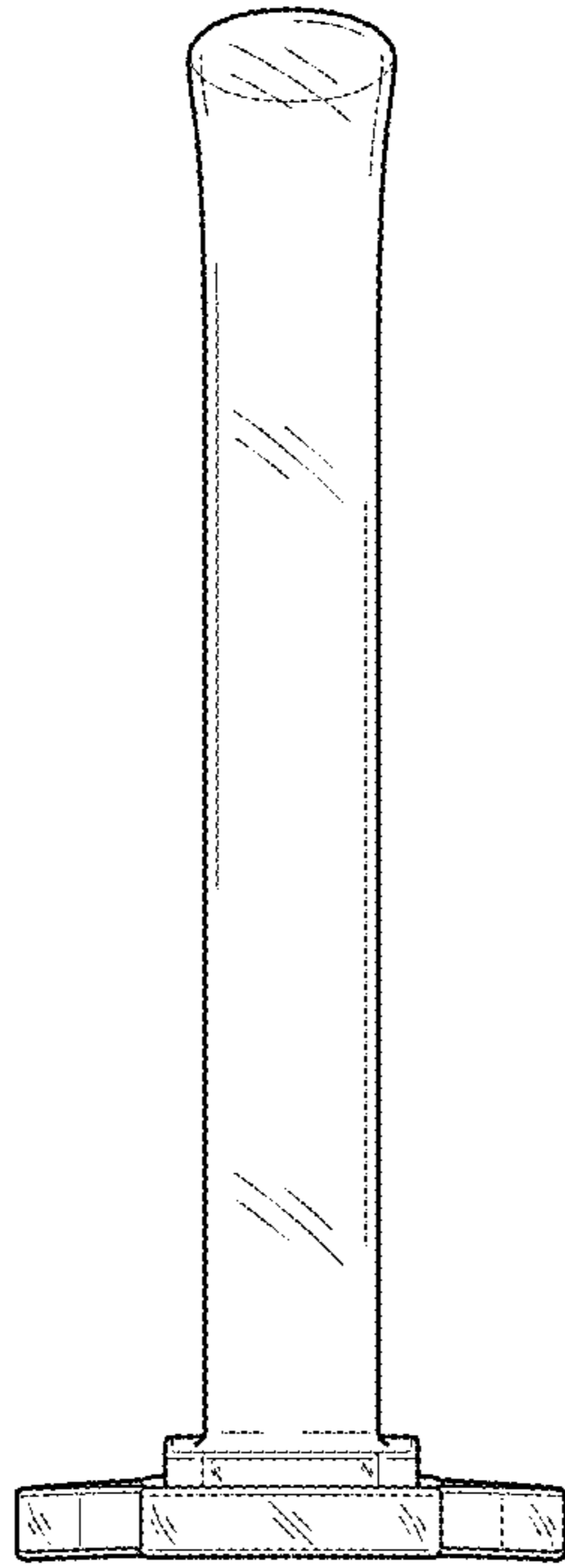


FIG. 7

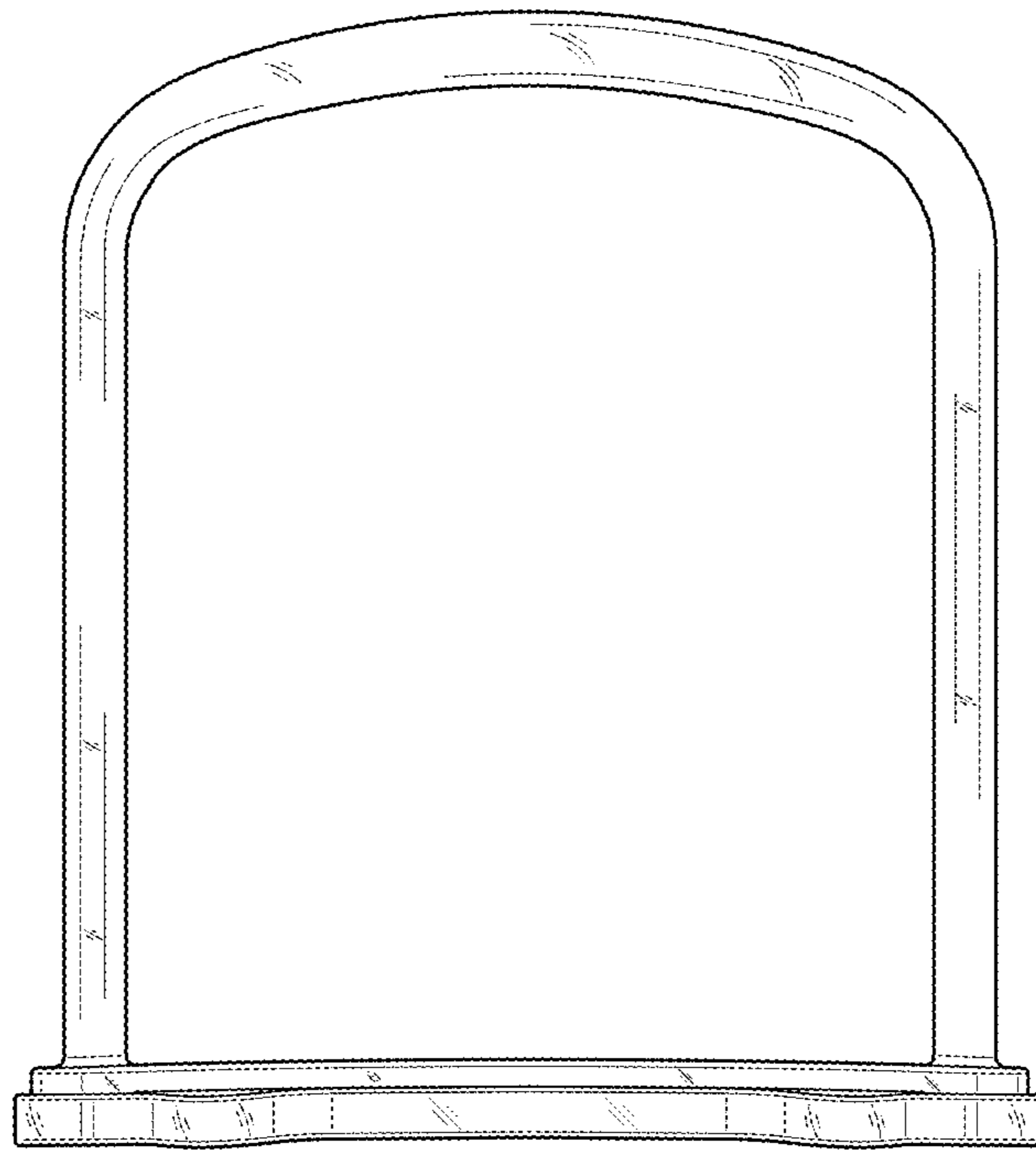


FIG. 8

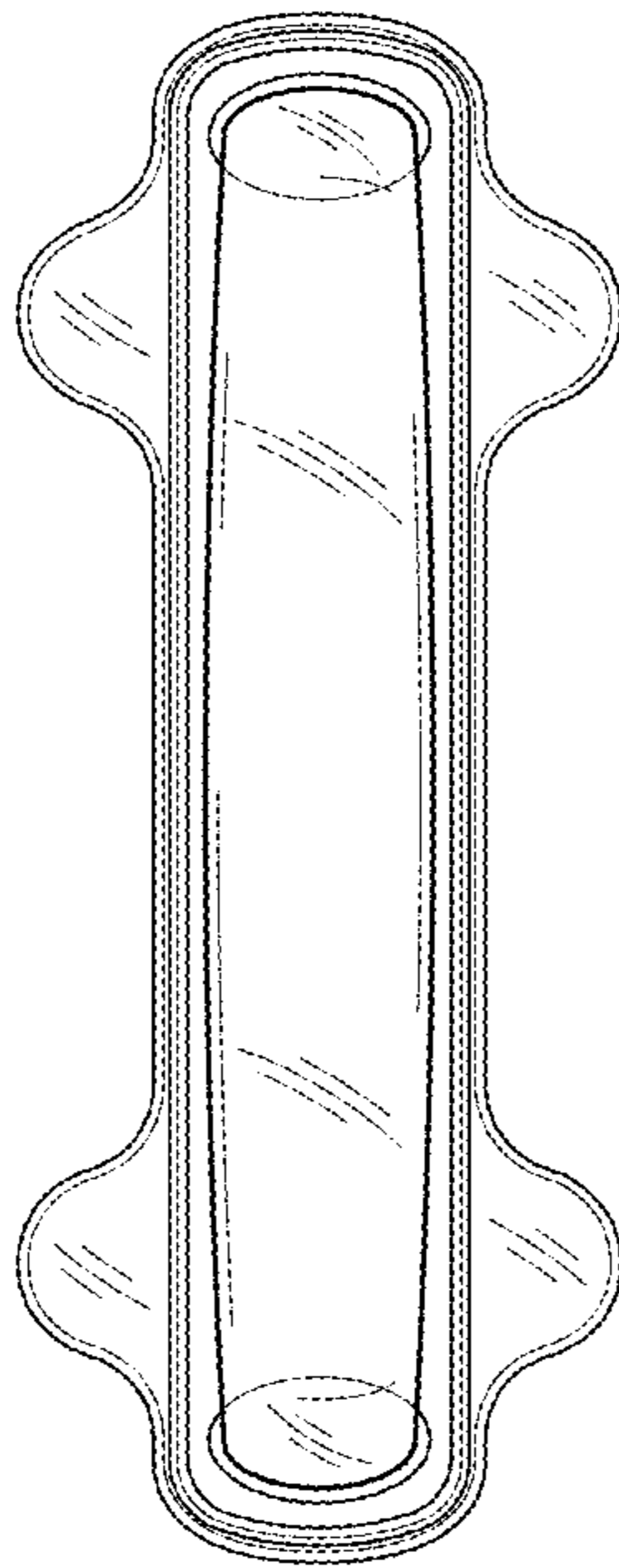


FIG. 9

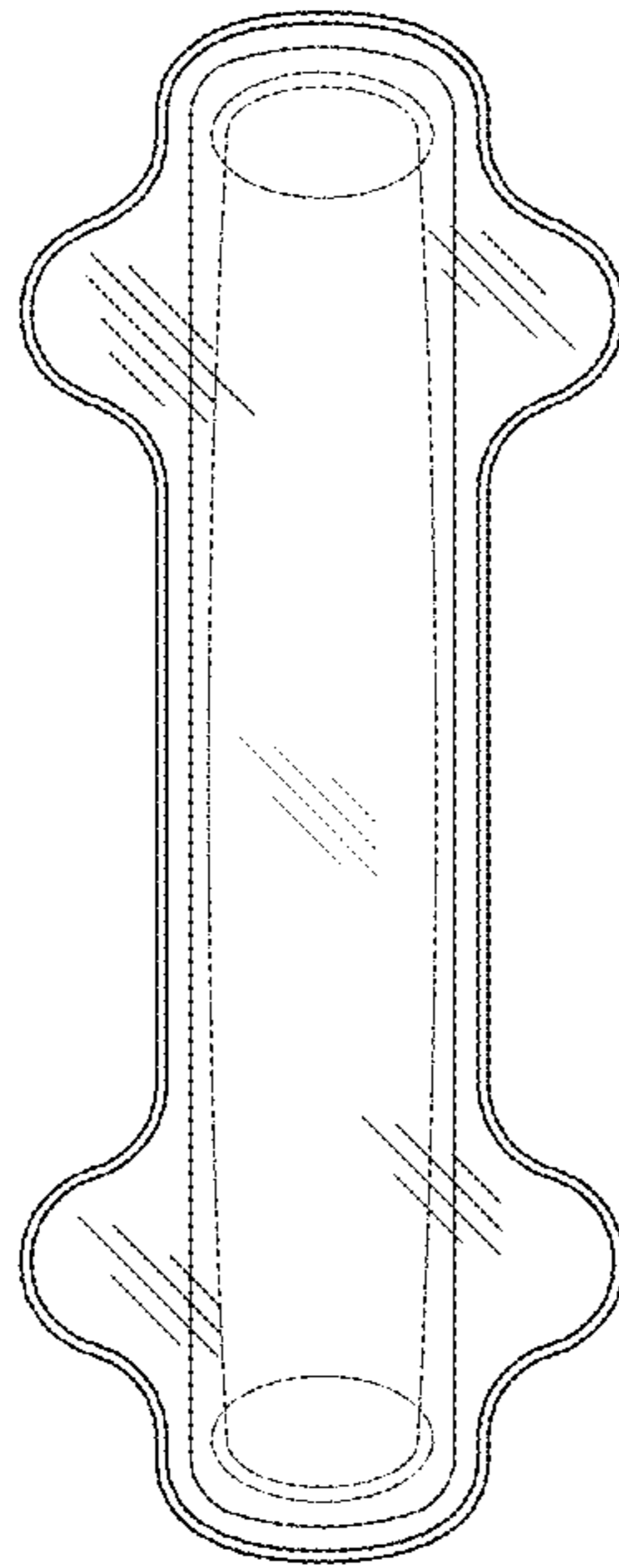


FIG. 10

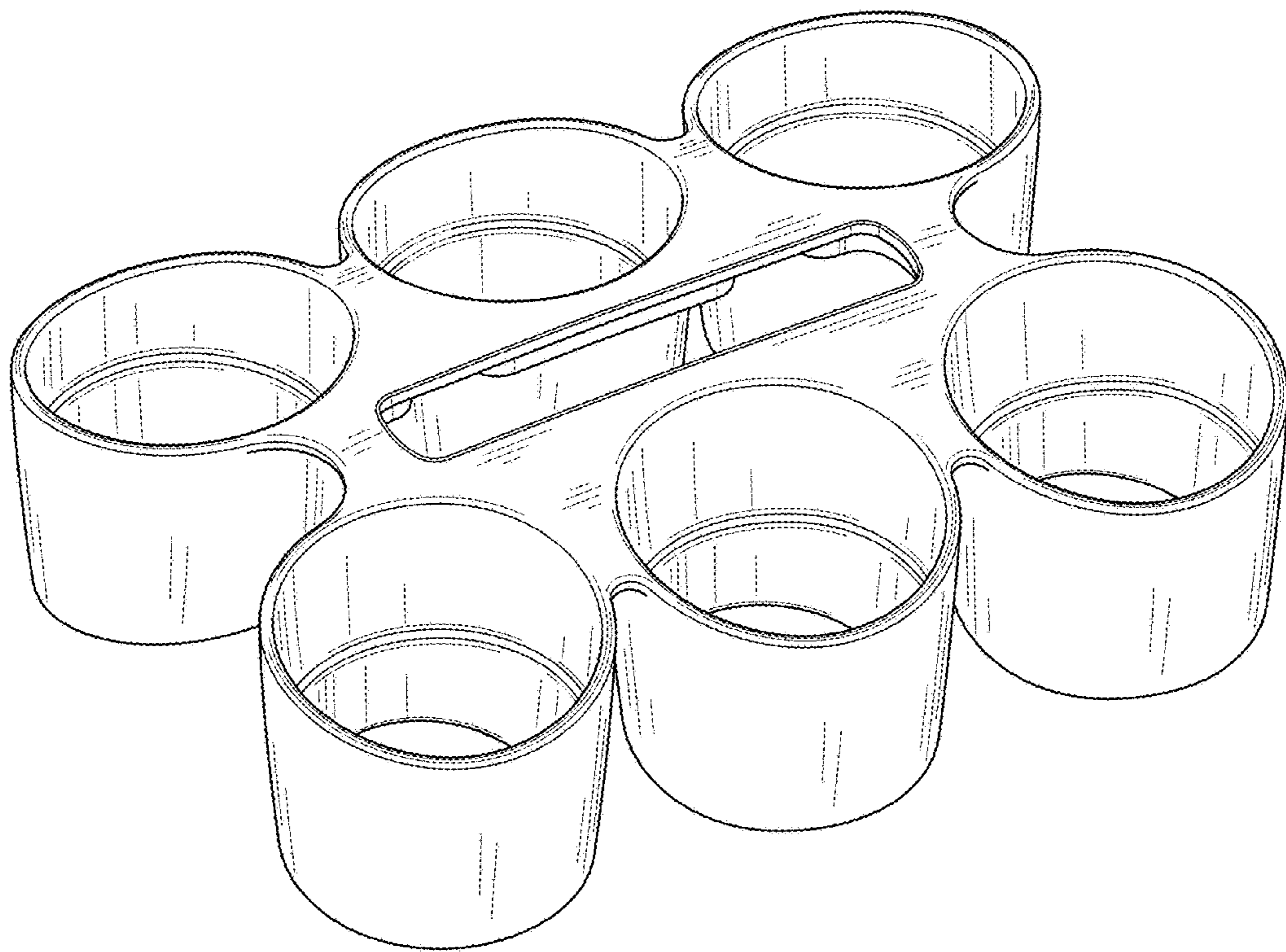


FIG. 11

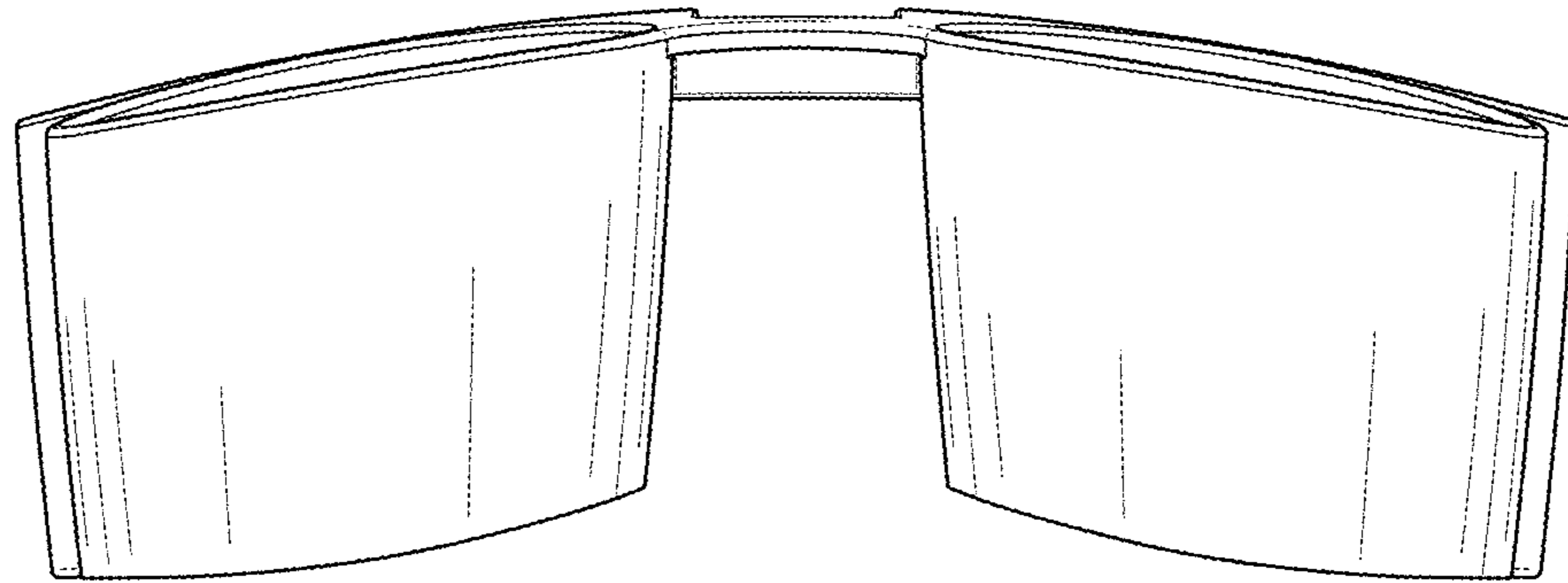


FIG. 12

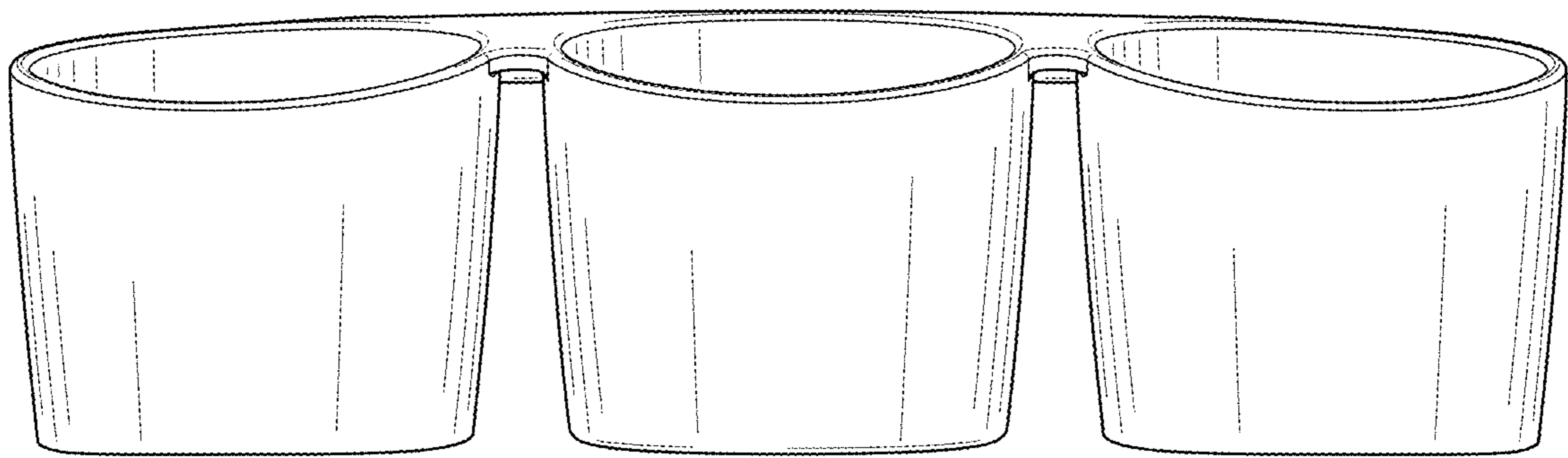


FIG. 13

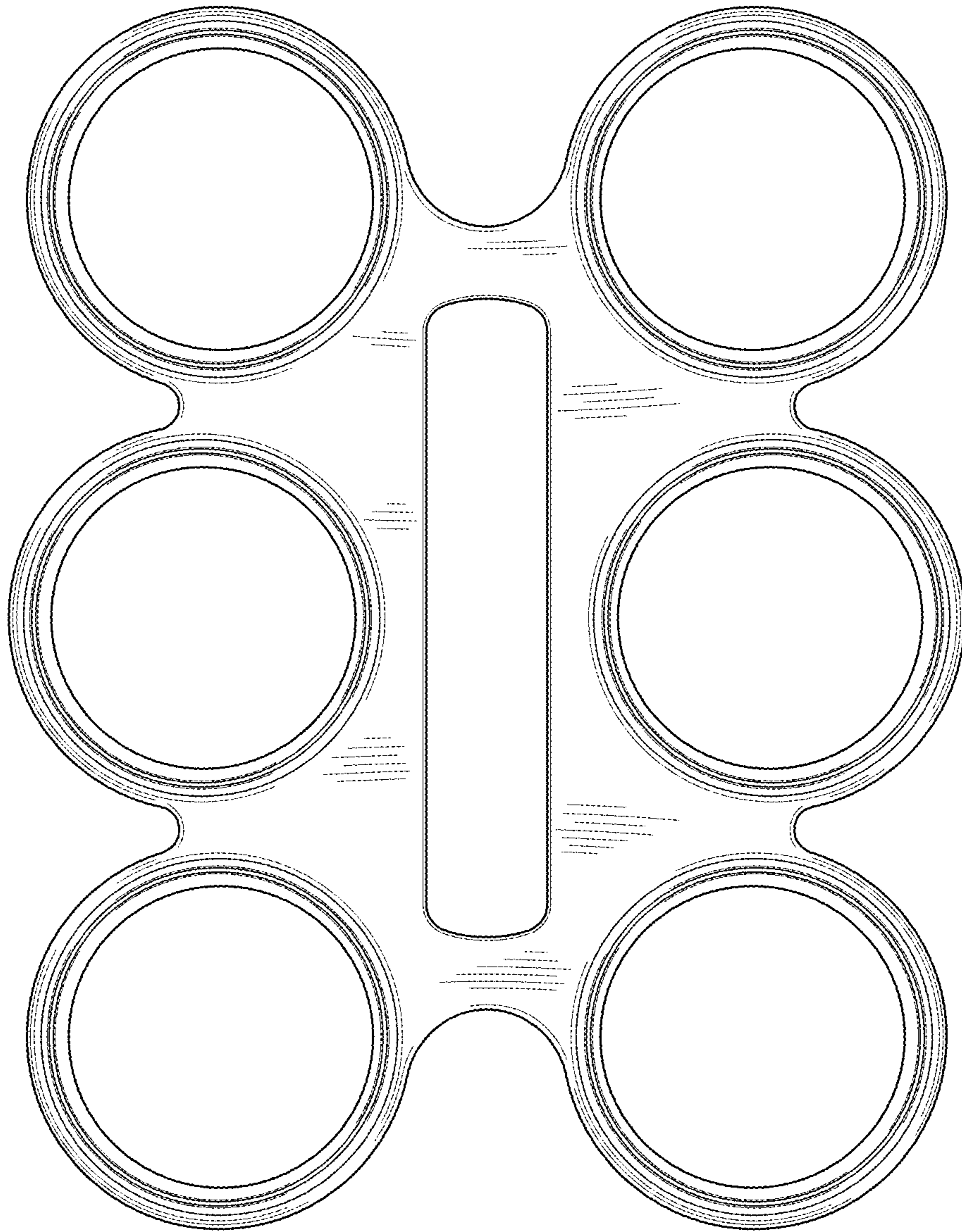


FIG. 14

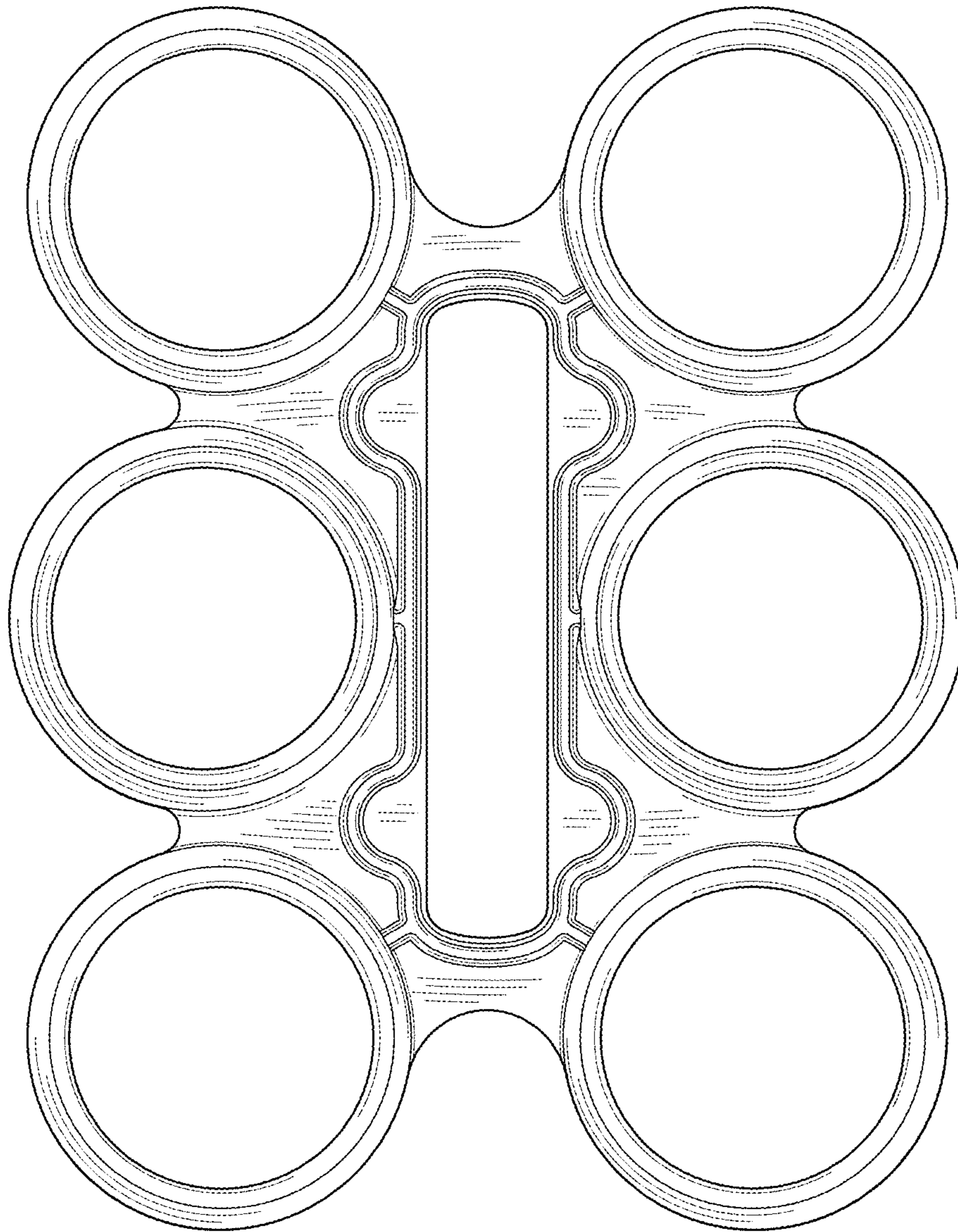


FIG. 15