



US00D788548S

(12) **United States Design Patent**
Cianflone

(10) **Patent No.:** **US D788,548 S**

(45) **Date of Patent:** **** Jun. 6, 2017**

(54) **POTATO PIERCING TOOL**
(71) Applicant: **Franco Cianflone**, New York, NY (US)
(72) Inventor: **Franco Cianflone**, New York, NY (US)
(**) Term: **15 Years**
(21) Appl. No.: **29/548,895**

5,844,215 A * 12/1998 Deal A47J 43/283
219/732
6,948,670 B2 * 9/2005 Kujawski A22C 9/008
241/169
D581,751 S * 12/2008 Peterson D7/682
8,276,277 B2 * 10/2012 Blier A47J 17/10
294/61
8,784,919 B2 * 7/2014 Christensen A23L 1/216
426/282
2014/0102278 A1 * 4/2014 Hoffman A23N 15/02
83/868

(22) Filed: **Dec. 17, 2015**
(51) **LOC (10) Cl.** **07-04**
(52) **U.S. Cl.**
USPC **D7/683; D7/682**
(58) **Field of Classification Search**
USPC D7/680-696, 393, 368, 669
CPC A23L 1/216; A47J 43/28; A47J 43/283;
A22C 9/008; A22C 9/00; A22C 9/001;
A22C 9/007
See application file for complete search history.

FOREIGN PATENT DOCUMENTS

WO WO2005056245 6/2005
WO WO2013074590 5/2013

* cited by examiner

Primary Examiner — Terry Wallace
(74) *Attorney, Agent, or Firm* — Goldstein Law Offices,
P.C.

(57) **CLAIM**

The ornamental design for a potato piercing tool, as shown and described.

DESCRIPTION

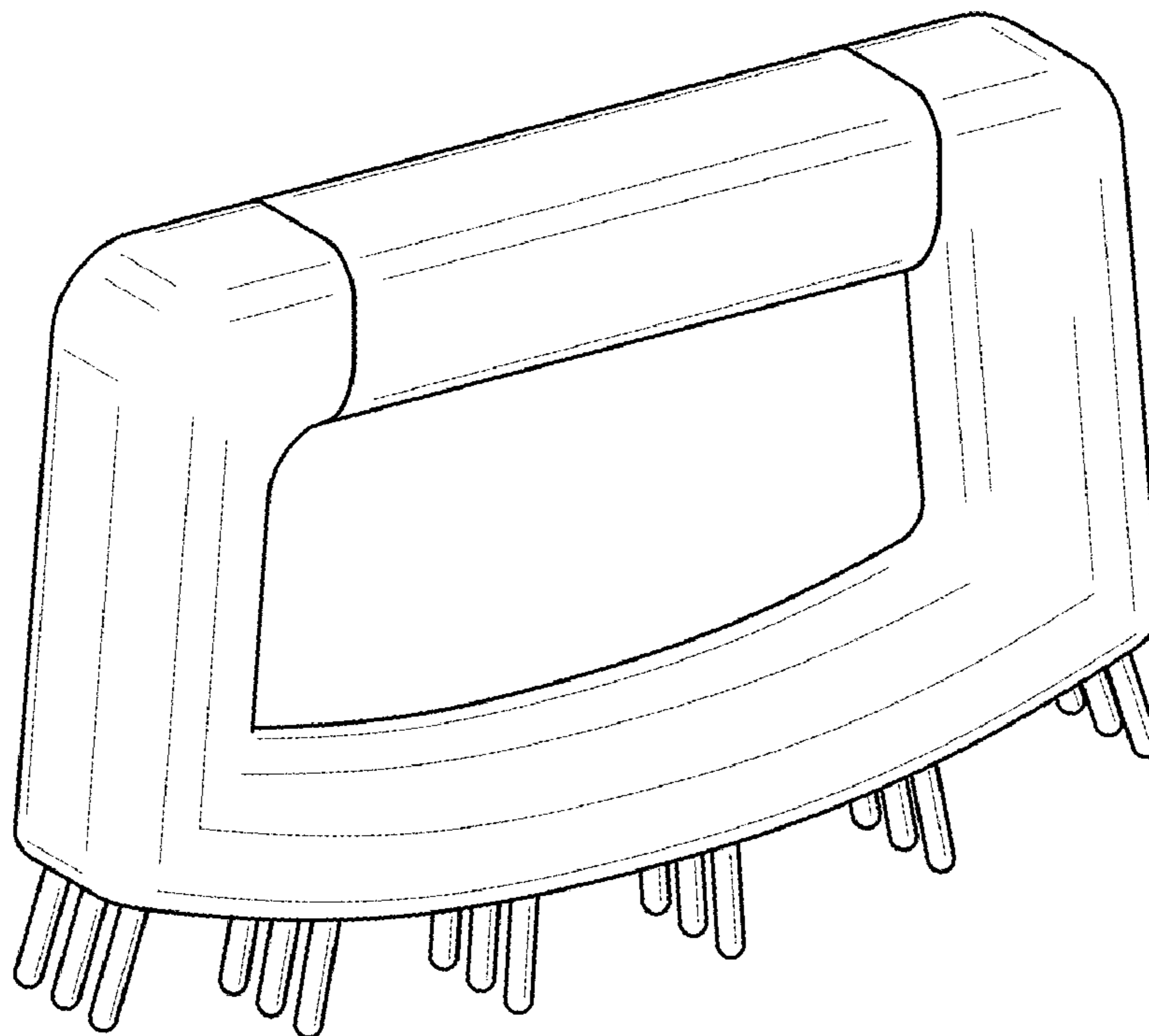
FIG. 1 is a perspective view of a potato piercing tool in full lines.
FIG. 2 is a top plan view of the potato piercing tool.
FIG. 3 is a bottom plan view thereof.
FIG. 4 is a right side elevational view thereof.
FIG. 5 is a left side elevational view thereof.
FIG. 6 is a front elevational view thereof; and,
FIG. 7 is a rear elevational view thereof.

1 Claim, 4 Drawing Sheets

(56) **References Cited**

U.S. PATENT DOCUMENTS

2,594,174 A * 4/1952 Johnson A22C 9/00
15/200
3,661,072 A * 5/1972 Allinquant A22C 17/0053
99/532
4,199,841 A * 4/1980 Jaccard A47J 43/28
30/305
4,896,011 A * 1/1990 Trucks A47J 43/18
219/720
5,132,501 A * 7/1992 Green B65D 81/02
219/732



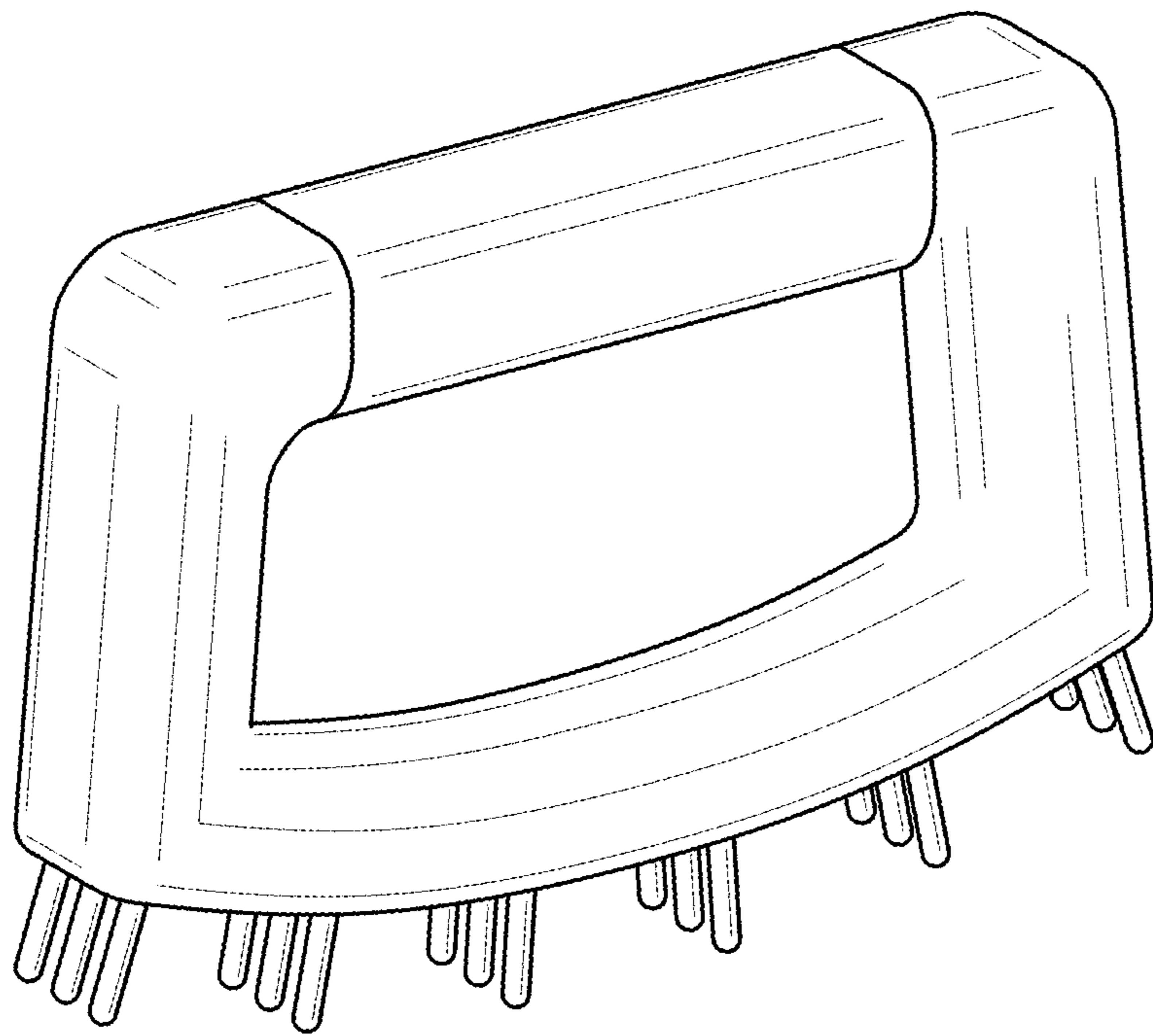


FIG. 1

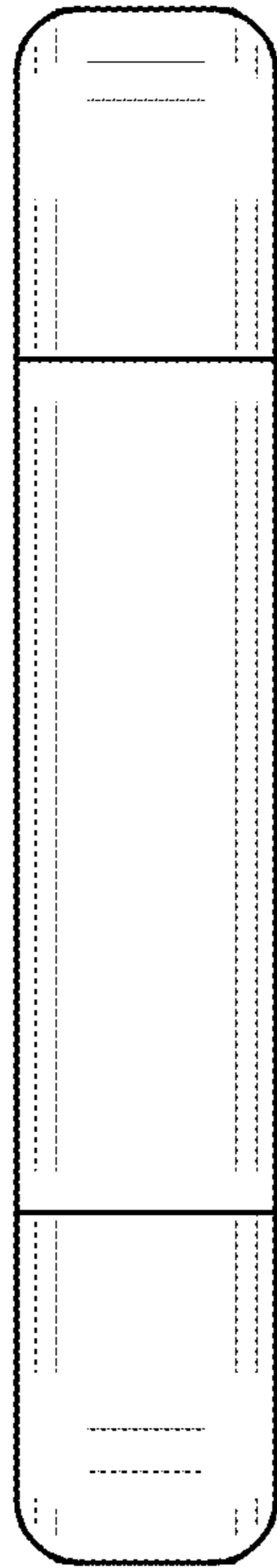


FIG. 2

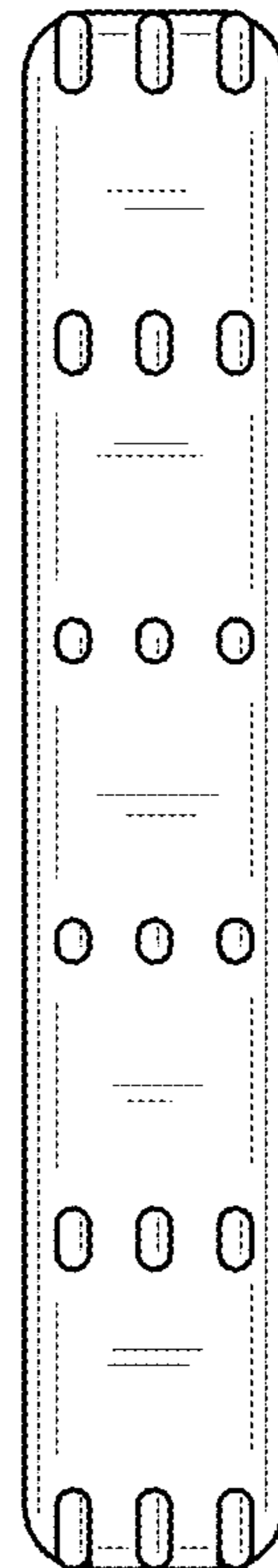


FIG. 3

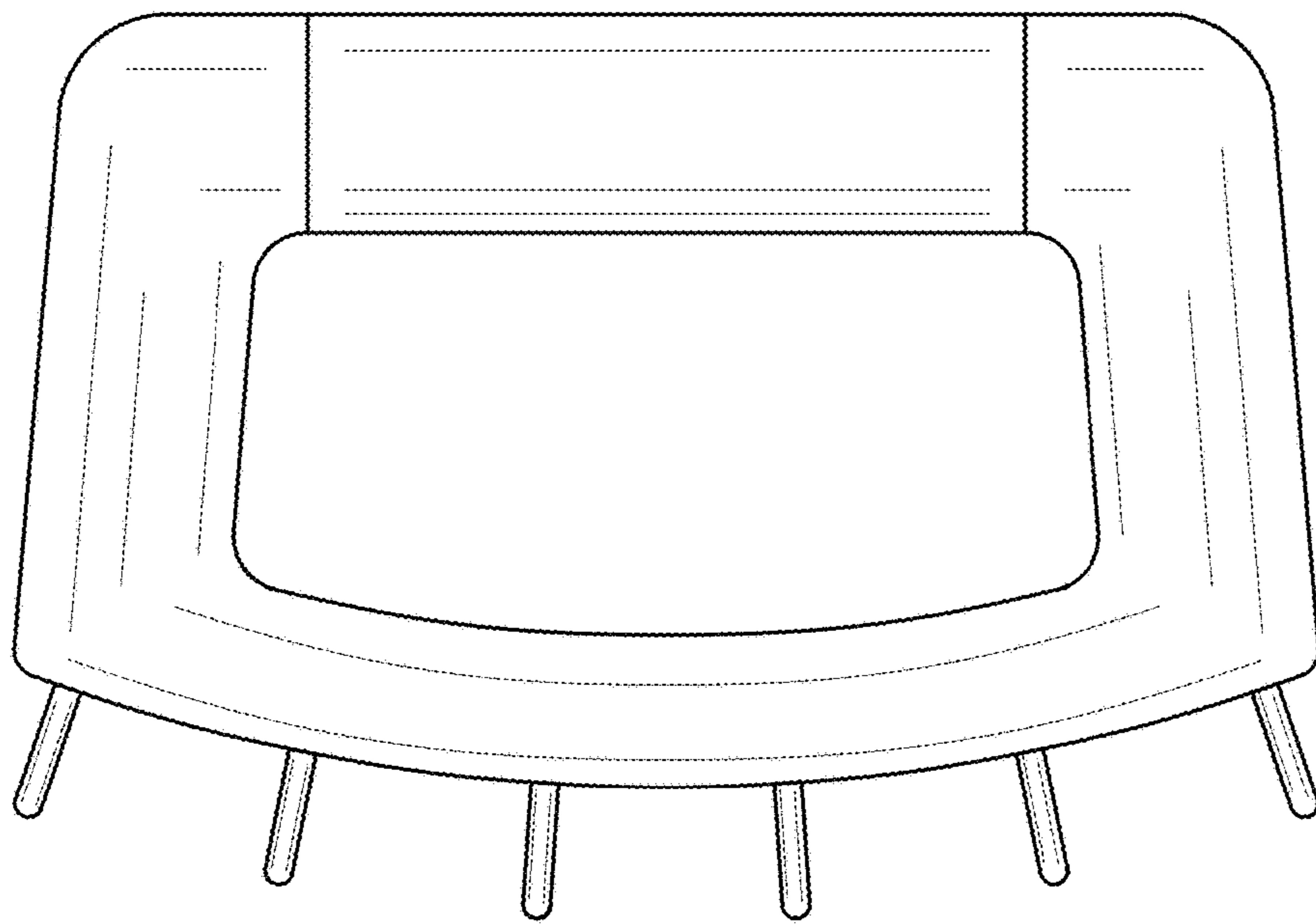


FIG. 4

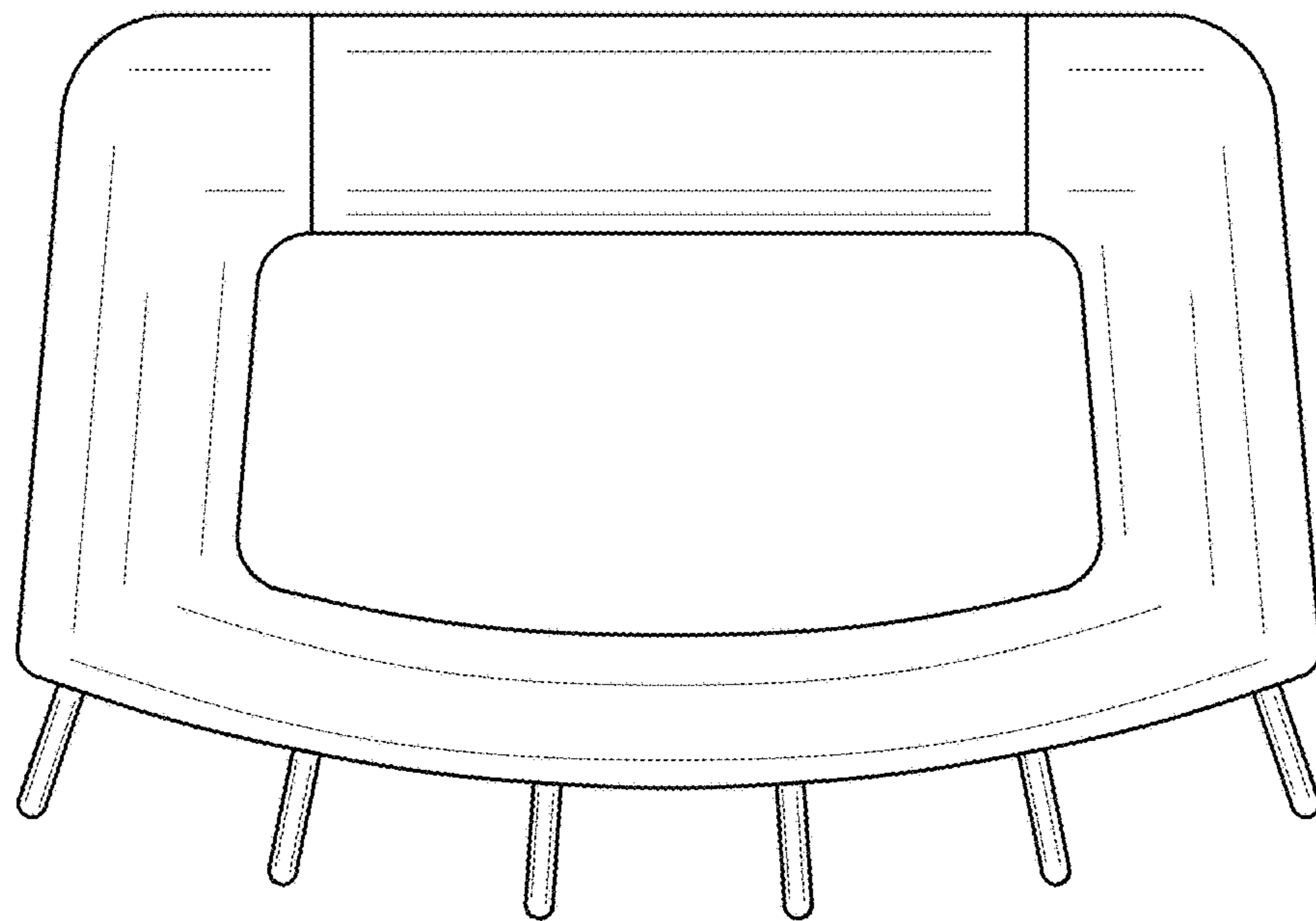


FIG. 5

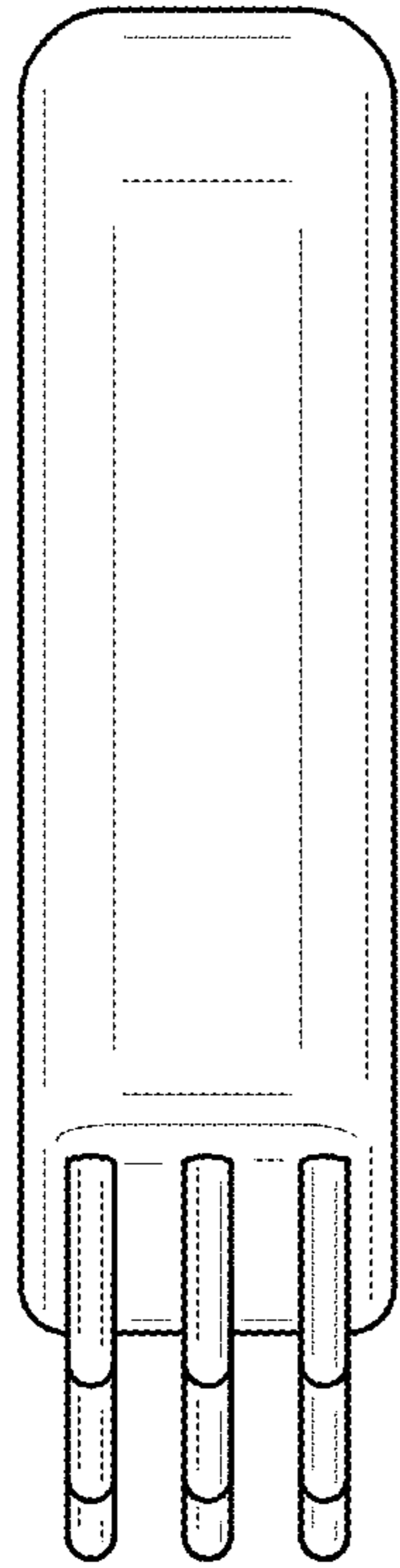


FIG. 6

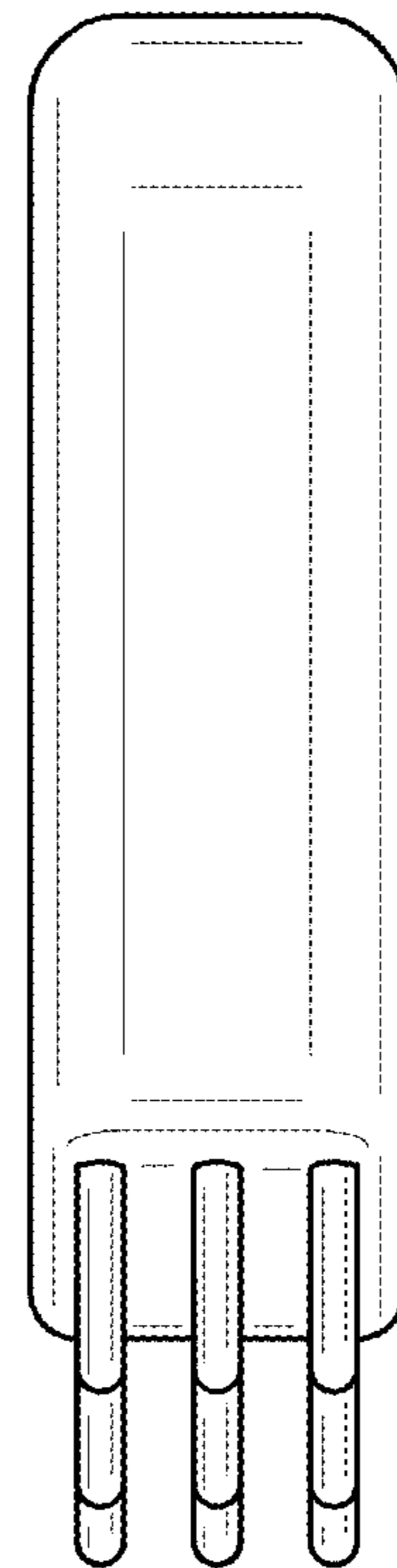


FIG. 7