



US00D788547S

(12) **United States Design Patent**
Hepburn

(10) **Patent No.:** **US D788,547 S**

(45) **Date of Patent:** **** Jun. 6, 2017**

(54) **UTENSIL STAND**

(71) Applicant: **Joel D. Hepburn**, Monterey, TN (US)

(72) Inventor: **Joel D. Hepburn**, Monterey, TN (US)

(**) Term: **15 Years**

(21) Appl. No.: **29/562,657**

(22) Filed: **Apr. 27, 2016**

Related U.S. Application Data

(62) Division of application No. 29/512,742, filed on Dec. 22, 2014, now Pat. No. Des. 758,807.

(51) **LOC (10) Cl.** **07-99**

(52) **U.S. Cl.**

USPC **D7/637**

(58) **Field of Classification Search**

USPC D7/601-603, 612, 615, 629, 630, 631,
D7/637-641; D19/65, 75, 81-85; 76/82,
76/84, 86; 211/13.1, 60.1, 70, 70.6, 70.7;
248/37.3, 37.6; 451/552

CPC A47G 21/00; A47G 21/14; A47F 5/16; A47F
7/00; A47F 7/0028; A47F 7/283; B26B
3/00; B26B 27/00

See application file for complete search history.

(56) **References Cited**

U.S. PATENT DOCUMENTS

D132,201 S * 4/1942 Slough 211/40
3,013,668 A * 12/1961 Mennen A47F 5/112
211/195

4,181,220 A * 1/1980 Zicko B65D 5/5035
206/315.2
D309,840 S * 8/1990 Estvold D6/534
D361,019 S * 8/1995 Voglis D7/633
D366,814 S * 2/1996 Stroecker D7/641
D398,429 S * 9/1998 LeBlanc D34/6
6,273,278 B1 * 8/2001 Enyedy A47F 7/0028
211/73
D675,065 S * 1/2013 Tarantino D7/601
D689,743 S * 9/2013 Tarantino D7/637

* cited by examiner

Primary Examiner — Derrick Holland

Assistant Examiner — Janice Lim

(74) *Attorney, Agent, or Firm* — Peter L. Brewer; Energy
IP

(57) **CLAIM**

The ornamental design for a utensil stand, as shown and described.

DESCRIPTION

FIG. 1 is a perspective view of a utensil stand, showing my new design.

FIG. 2 is a front perspective view thereof.

FIG. 3 is a back perspective view thereof.

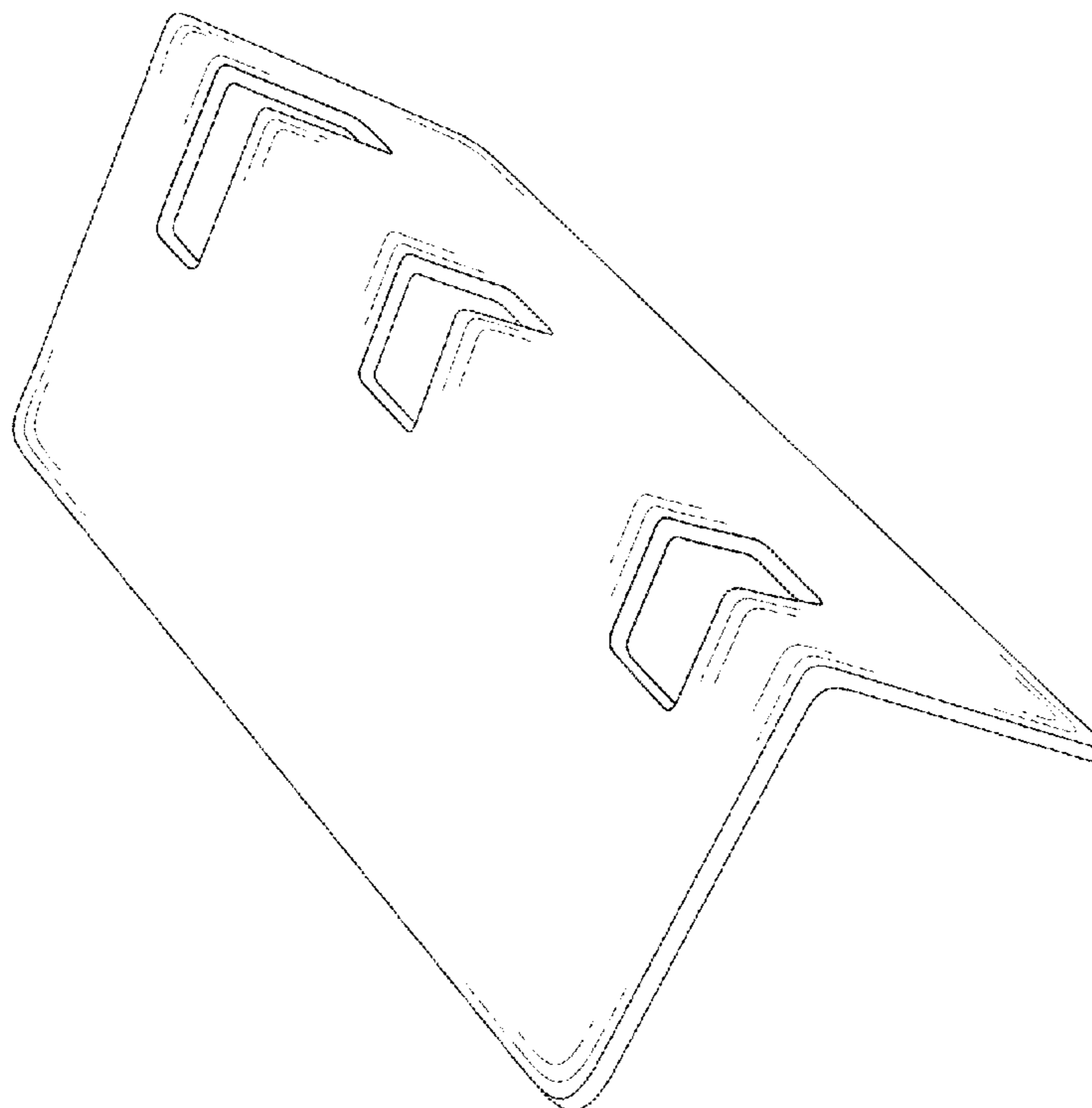
FIG. 4 is a right side elevational view thereof.

FIG. 5 is a left side elevation view thereof.

FIG. 6 is a top plan view thereof; and,

FIG. 7 is a bottom plan view thereof.

1 Claim, 4 Drawing Sheets



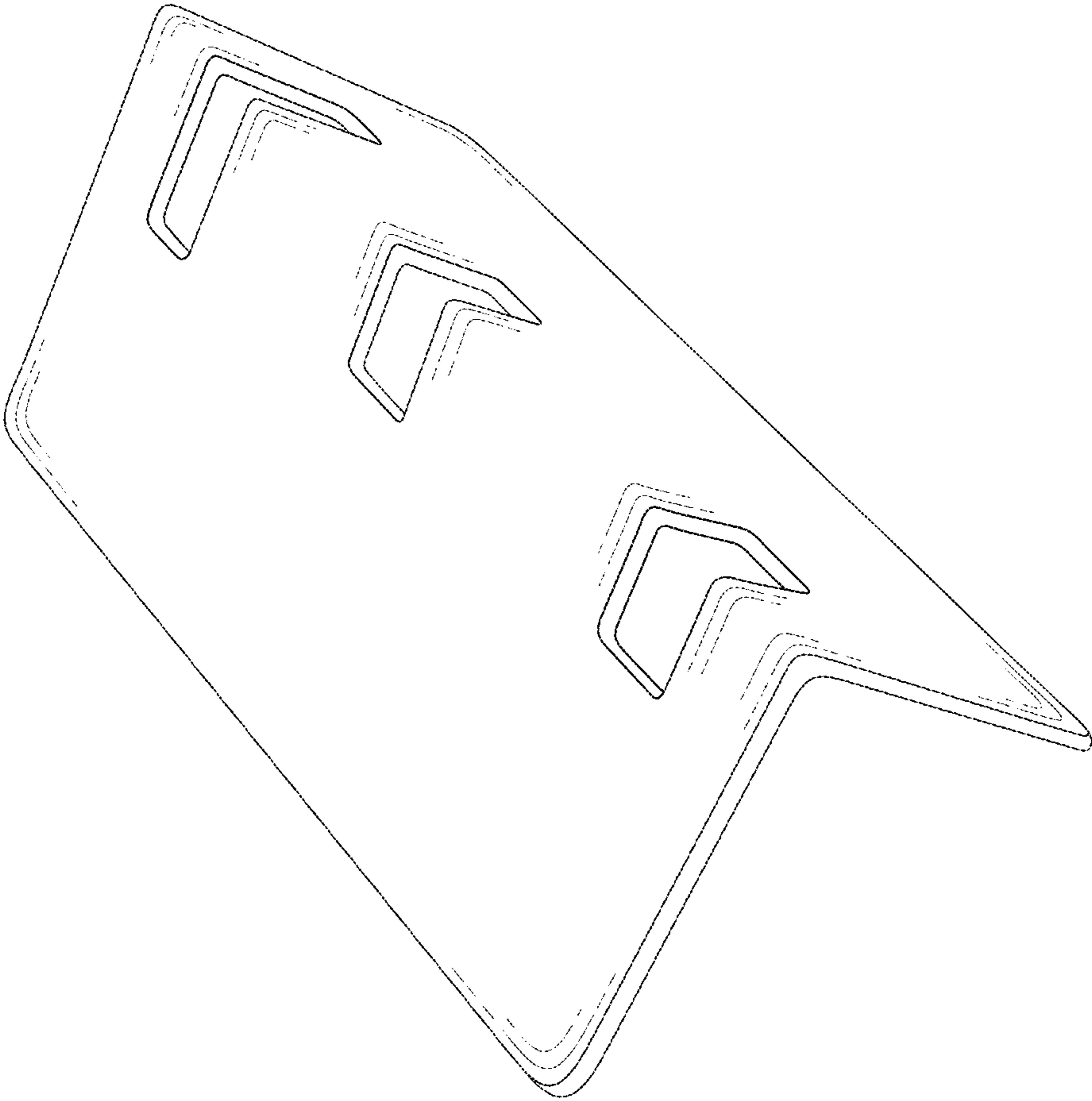


FIG. 1

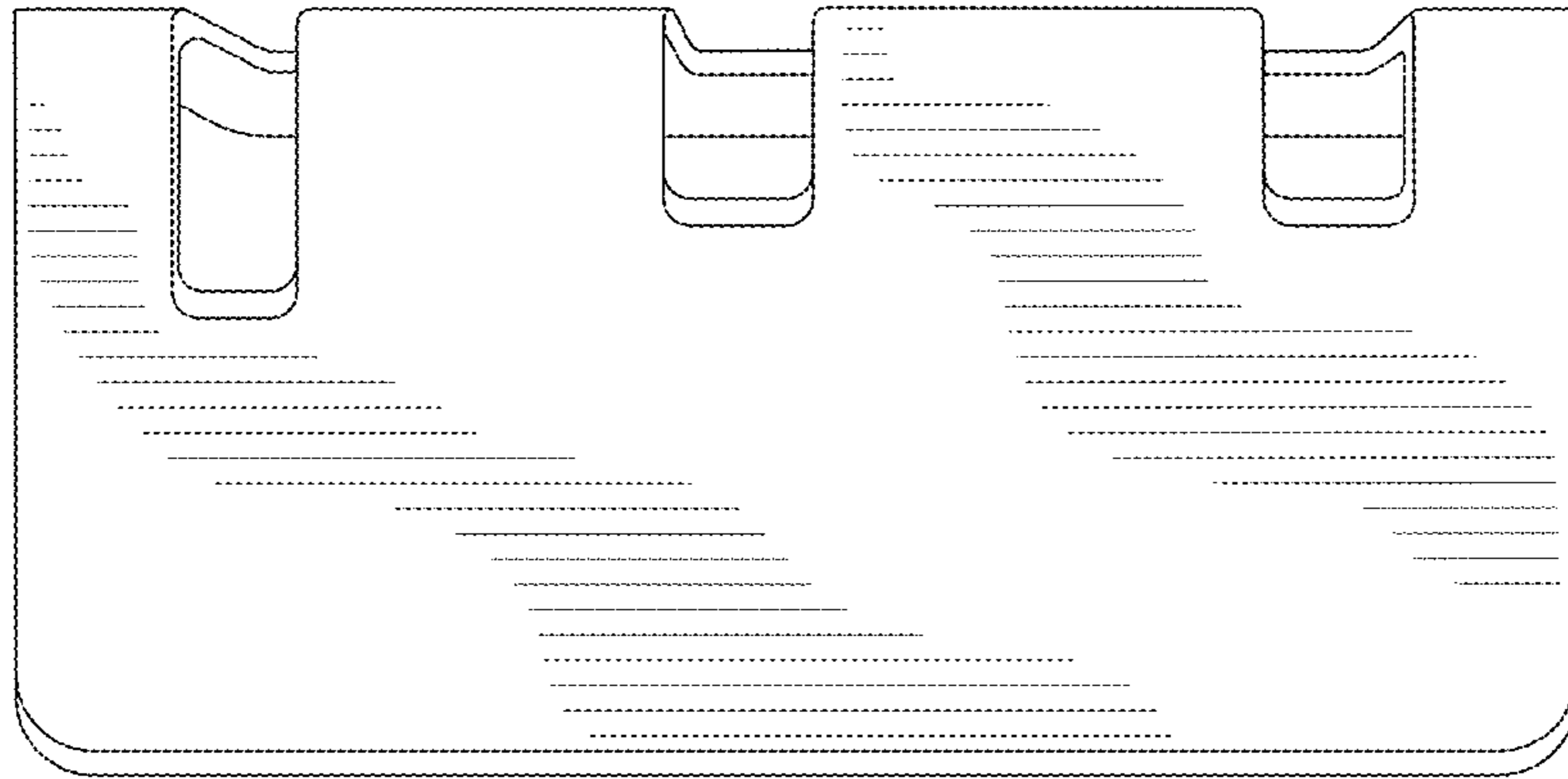


FIG. 2

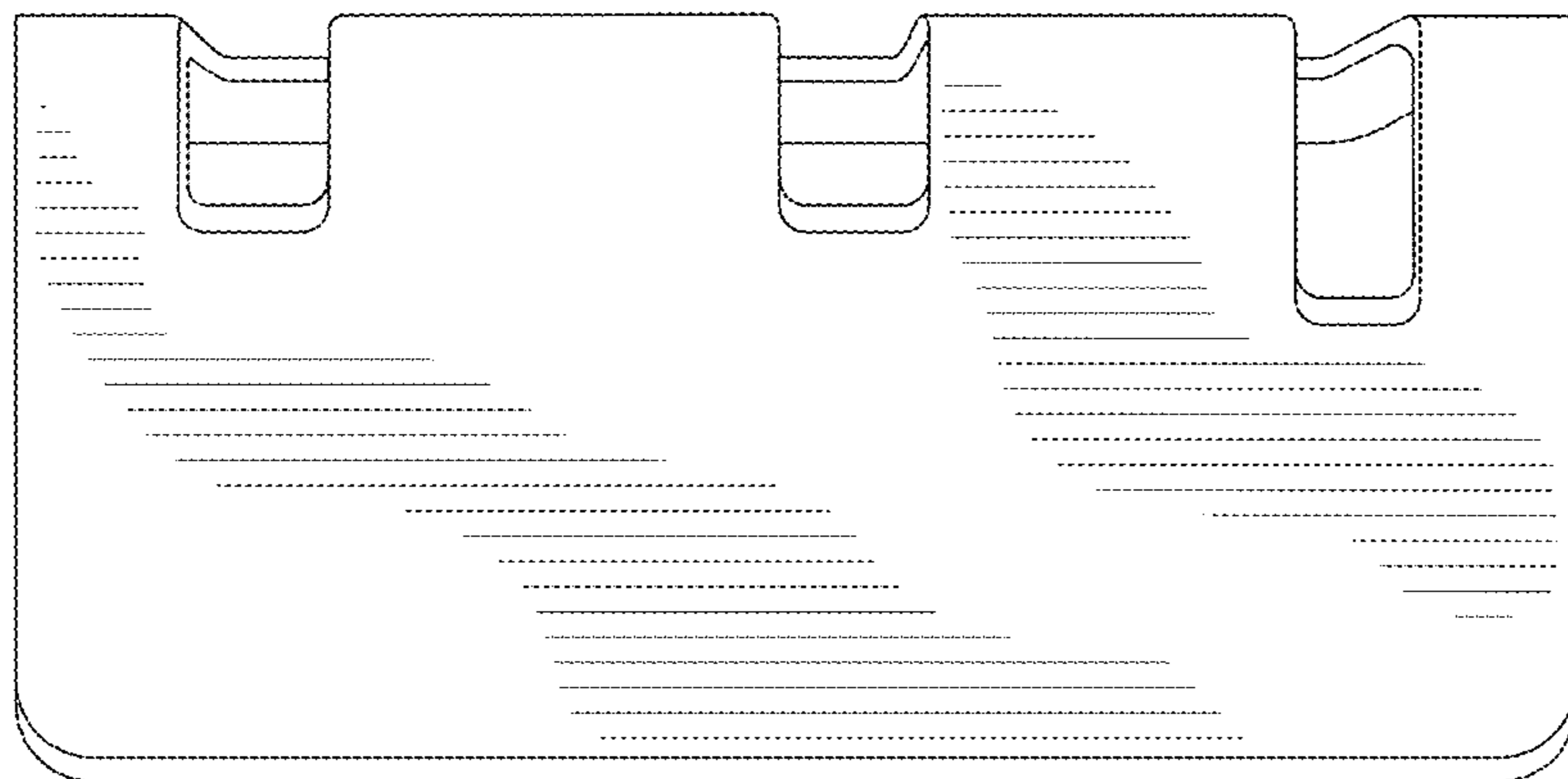


FIG. 3

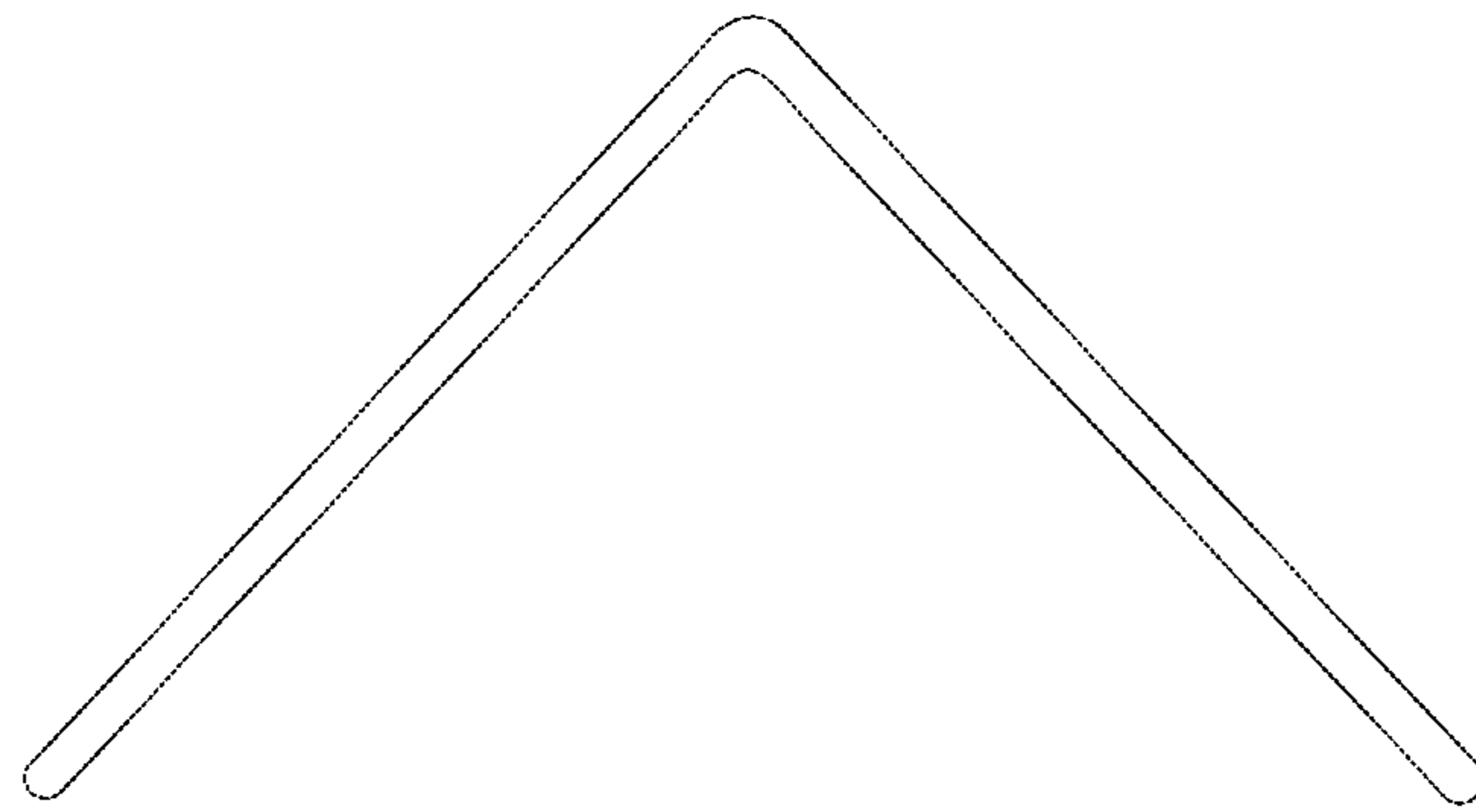


FIG. 4

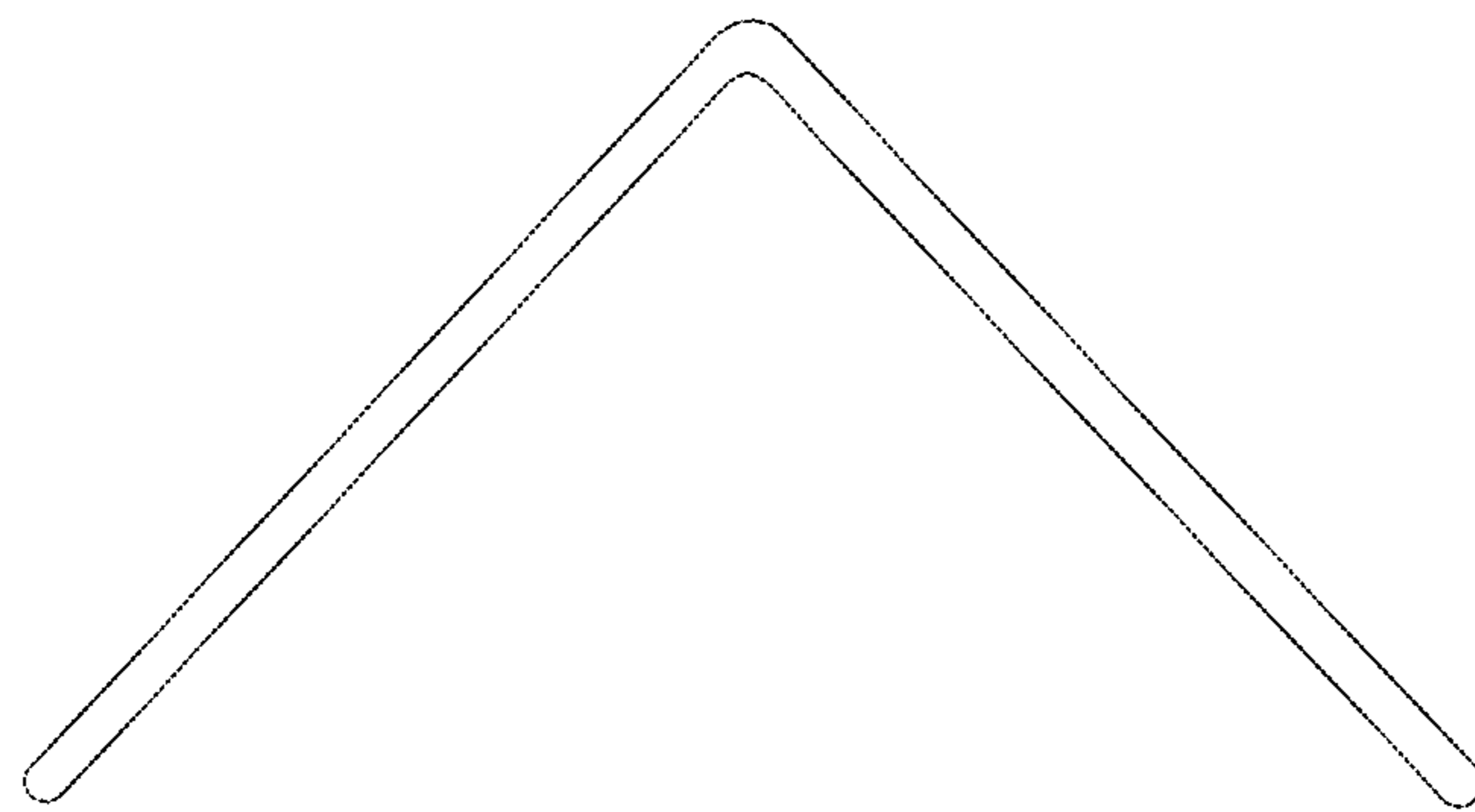


FIG. 5

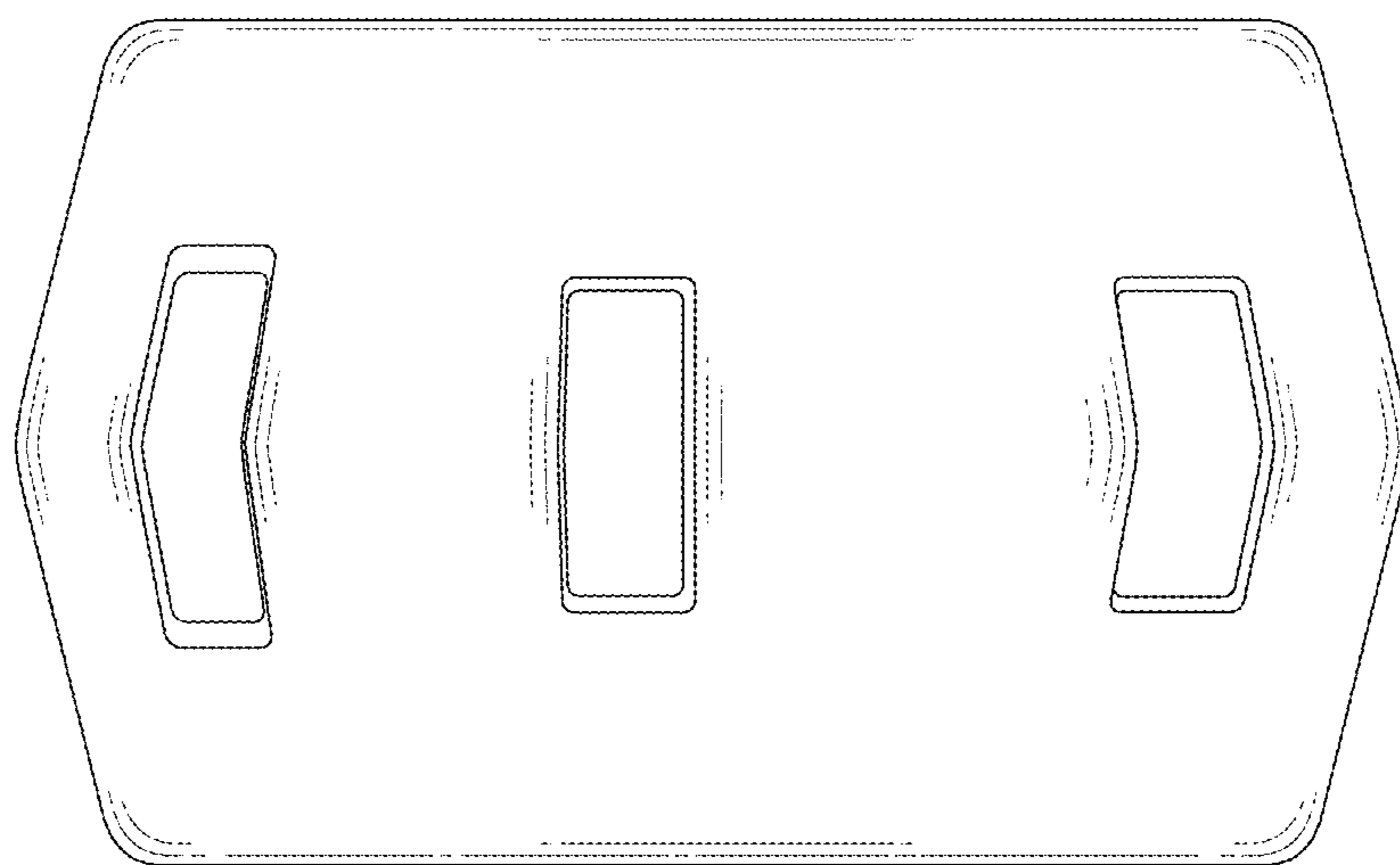


FIG. 6

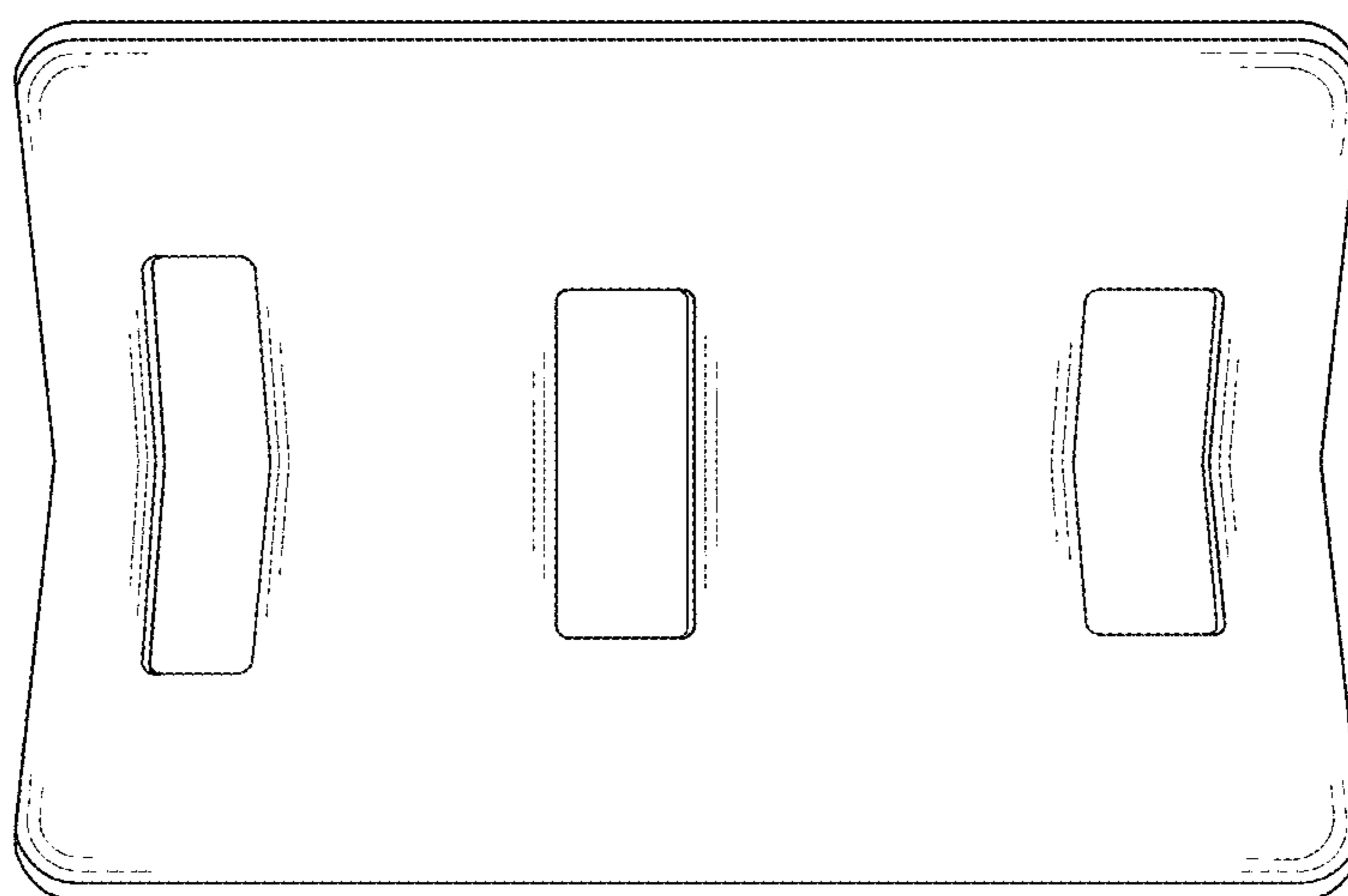


FIG. 7