



US00D788546S

(12) **United States Design Patent**
McClaskey

(10) **Patent No.:** **US D788,546 S**
(45) **Date of Patent:** **** Jun. 6, 2017**

(54) **BOX WINE CADDY**

(71) Applicant: **Box Wine Caddy, Inc.**, Parkville, MD (US)

(72) Inventor: **James McClaskey**, Parkville, MD (US)

(73) Assignee: **Box Wine Caddy, Inc.**, Parkville, MD (US)

(**) Term: **15 Years**

(21) Appl. No.: **29/564,508**

(22) Filed: **May 13, 2016**

(51) **LOC (10) Cl.** **07-06**

(52) **U.S. Cl.**
USPC **D7/619.1**

(58) **Field of Classification Search**
USPC D6/546, 552, 672; D7/619.1, 620,
D7/701-708, 708.1; D9/434, 443, 455;
D32/58
CPC A47G 23/0208; A47J 47/16; A47J 47/20;
B32B 3/10; B65D 25/24

See application file for complete search history.

(56) **References Cited**

U.S. PATENT DOCUMENTS

221,143	A	11/1879	Allen	
508,327	A	11/1893	Lippincott	
D353,977	S	1/1995	Muschett	
6,068,139	A *	5/2000	Brozak, Jr.	A47F 1/12
				211/169
D426,986	S *	6/2000	Porath	D6/683.1
D437,719	S *	2/2001	Dicellis	D6/571
6,416,612	B1 *	7/2002	Lerner	B44D 3/003
				156/277
D533,734	S *	12/2006	Campbell	D6/672
7,380,410	B2	6/2008	Rand et al.	
7,422,038	B2	9/2008	Boler	
D583,630	S	12/2008	Goodman et al.	

D736,084	S	8/2015	Carmona	
D769,642	S *	10/2016	Holton	D6/552
2016/0107797	A1 *	4/2016	McClaskey	B65D 25/24
				222/108
2016/0227950	A1 *	8/2016	Minevich	A47G 19/2227

OTHER PUBLICATIONS

Box Wine Caddy Inc. 5 Liter Rectangle Caddys. May 13, 2016 [earliest online date], [site visited Feb. 28, 2017]. Available from Internet, <URL:https://www.boxwinecaddy.com/category/0002/5-LITER-RECTANGLE-CADDYS/1.html>.*

Boxed wine holder(wine box, wine dispenser, wine server), Etsy, accessed Oct. 23, 2014, Web.

(Continued)

Primary Examiner — Robert M Spear

Assistant Examiner — Darcey E Heflin

(74) *Attorney, Agent, or Firm* — Whitham, Curtis & Cook, P.C.

(57) **CLAIM**

What is claimed is the ornamental design for a box wine caddy, as shown and described.

DESCRIPTION

FIG. 1 is a front, top, right side perspective view of a box wine caddy;

FIG. 2 is a rear, bottom, left side perspective view of the box wine caddy;

FIG. 3 is a front elevational view of the box wine caddy;

FIG. 4 is a rear elevational view of the box wine caddy;

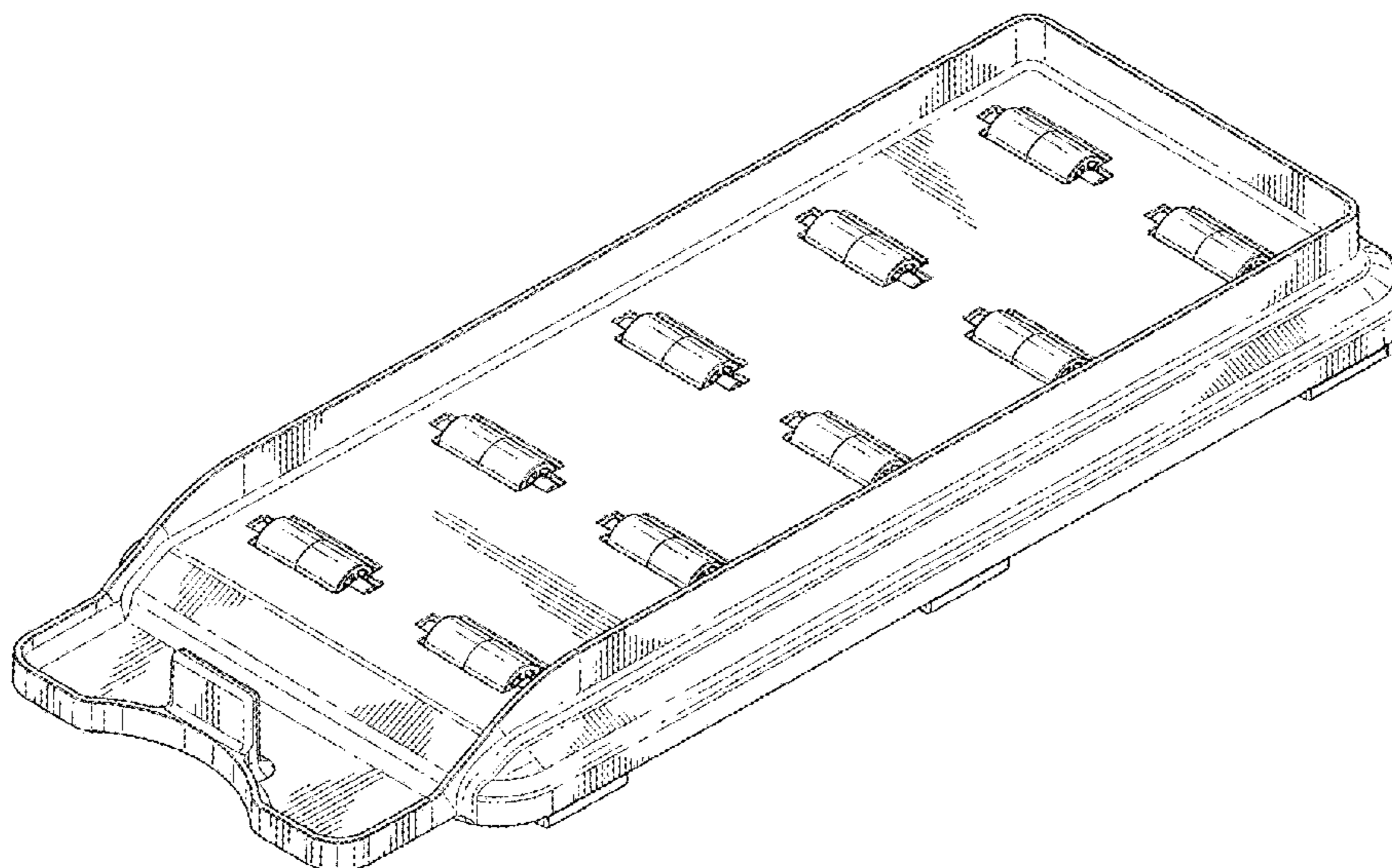
FIG. 5 is a top plan view of the box wine caddy;

FIG. 6 is a bottom plan view of the box wine caddy;

FIG. 7 is a left side elevational view of the box wine caddy; and,

FIG. 8 is a right side elevational view of the box wine caddy.

1 Claim, 6 Drawing Sheets



(56)

References Cited

OTHER PUBLICATIONS

B. Battison, "Universal Wine Box Holder", Designspotter, accessed Oct. 23, 2014, Web.

E. Hagan, "How to Make a Classy Boxed Wine Holder", One Project Closer, Feb. 6, 2013, Web.

J. Hagan, "DIY Wine Box", One Project Closer, May 16, 2013, Web.

<https://www.boxwinecaddy.com>, accessed Mar. 16, 2016, Web.

* cited by examiner

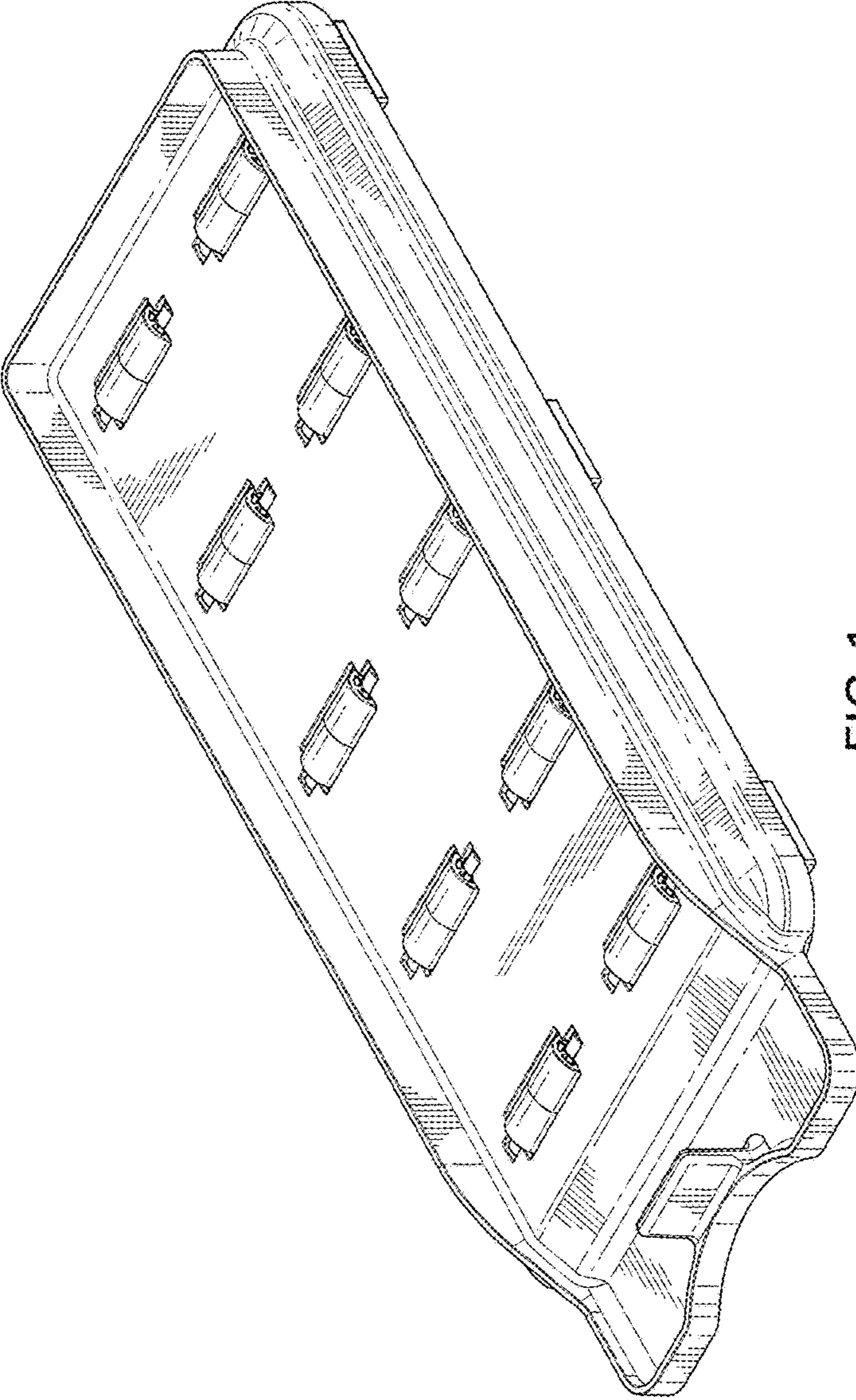


FIG.1

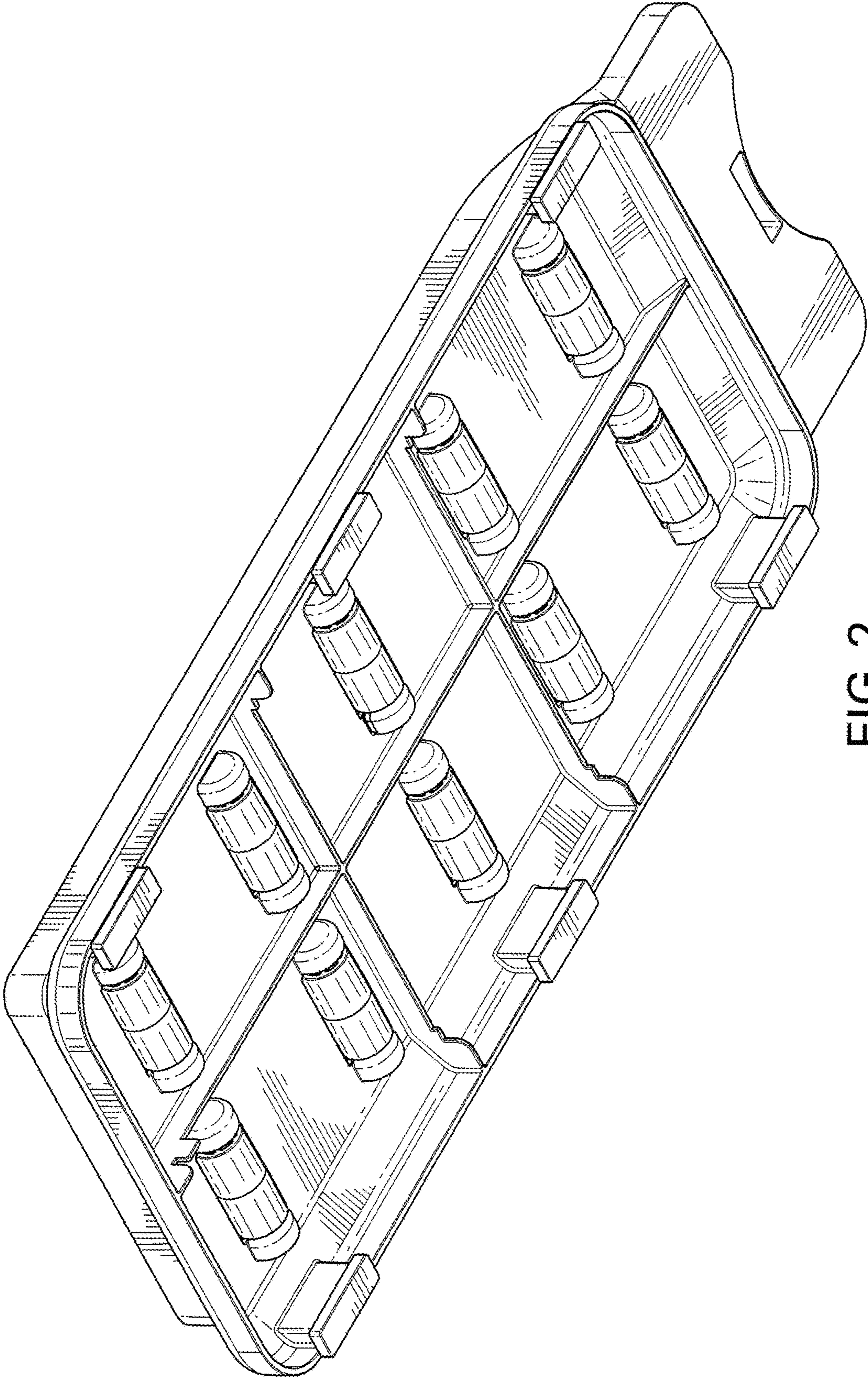


FIG. 2

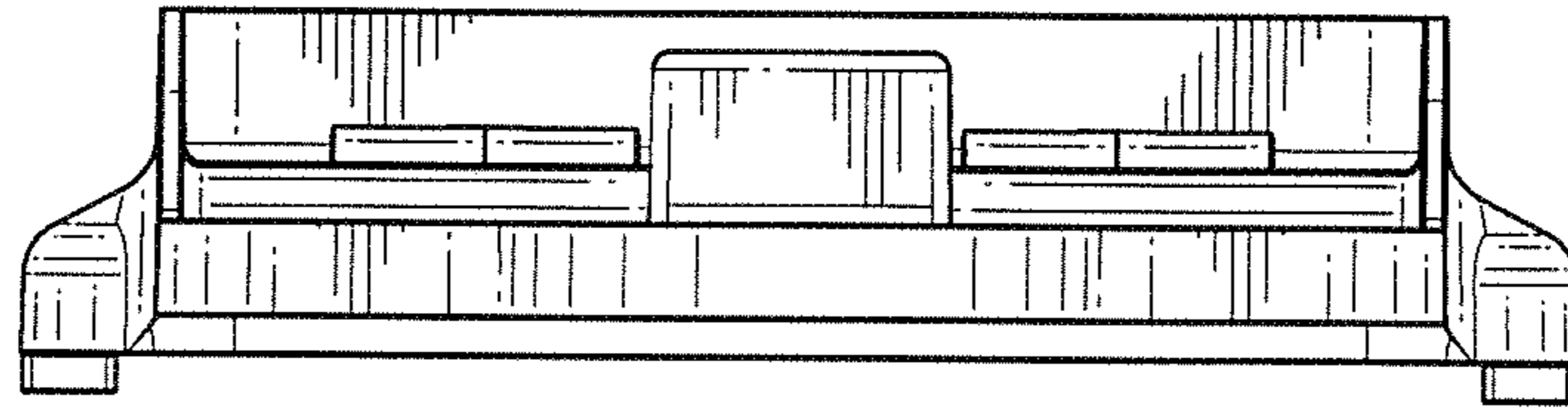


FIG. 3

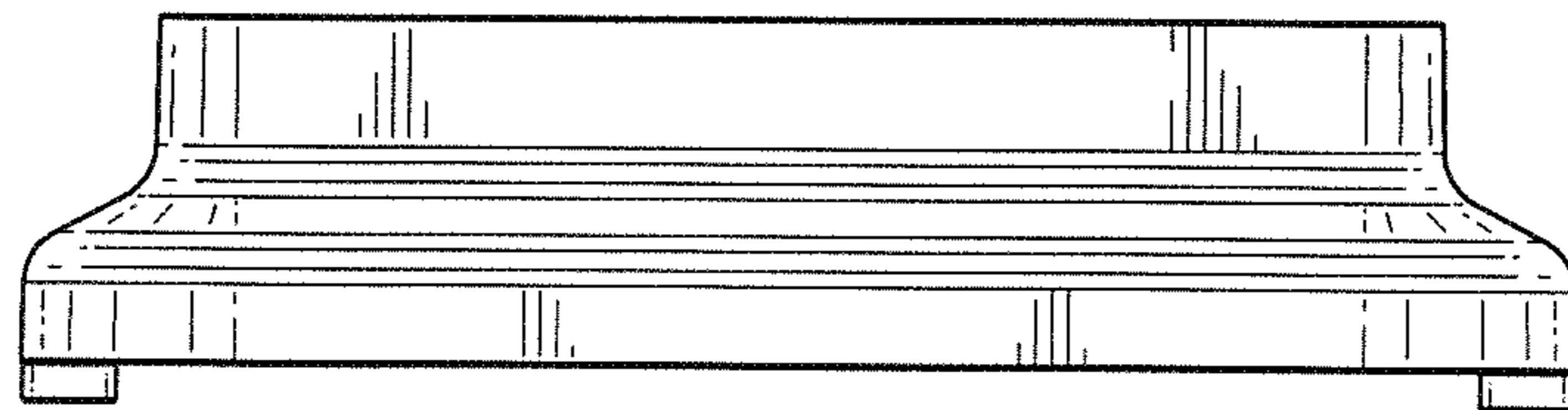


FIG. 4

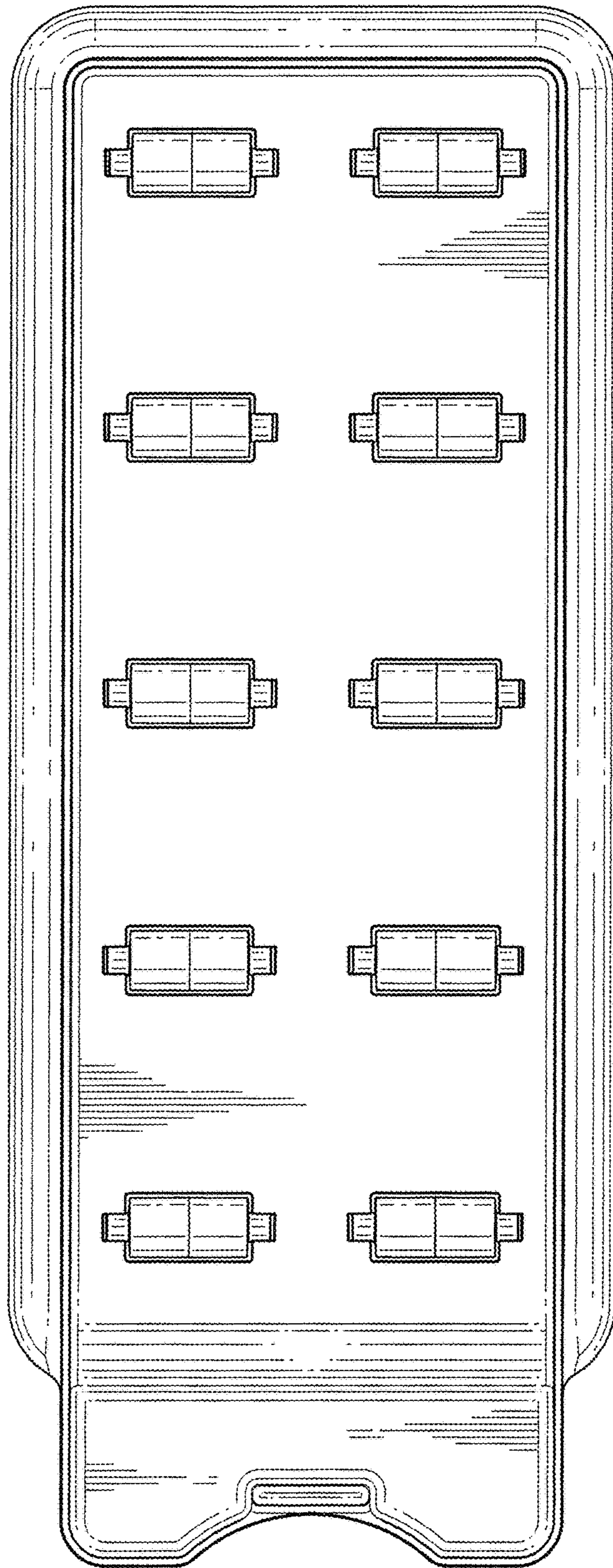


FIG. 5

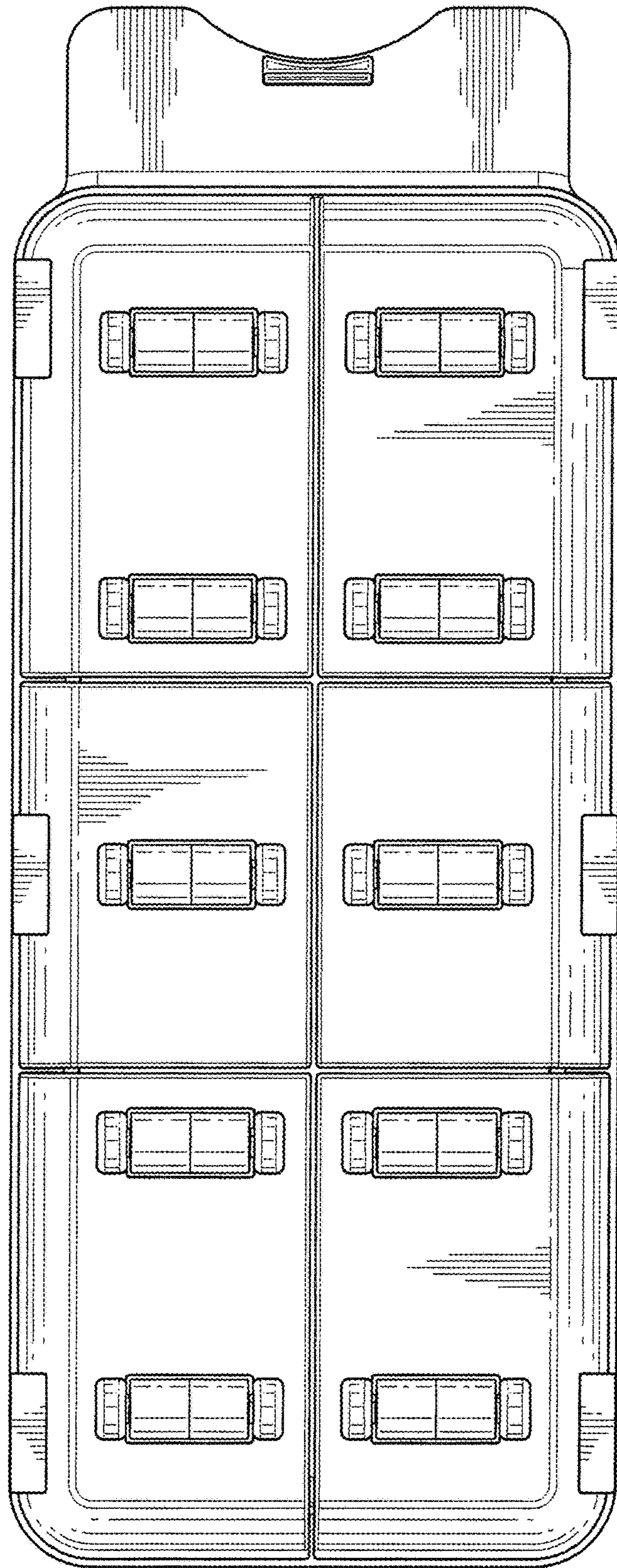


FIG. 6

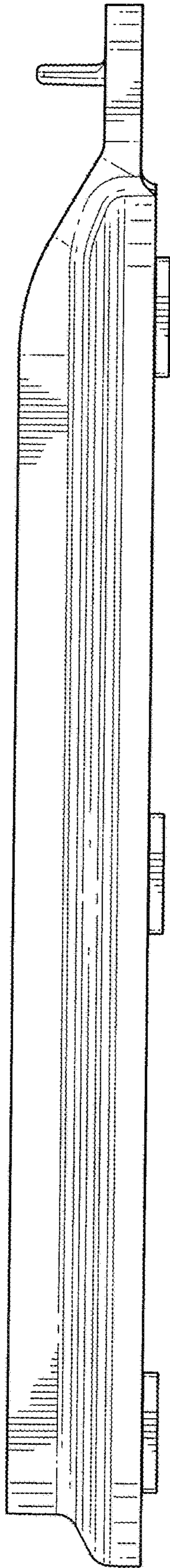


FIG. 7

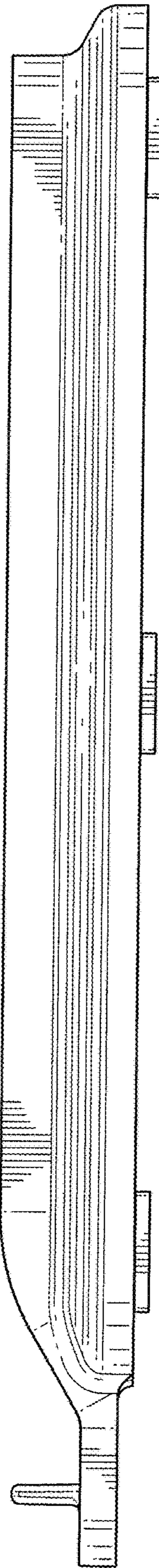


FIG. 8