



US00D788545S

(12) **United States Design Patent** (10) **Patent No.:** **US D788,545 S**
Petre (45) **Date of Patent:** **** Jun. 6, 2017**

(54) **INSULATED JACKET FOR A BOTTLE OR A CAN**

(71) Applicant: **Outdoor Recreation Company of America, LLC, Nashville, TN (US)**

(72) Inventor: **Stephen J. Petre, Maryville, TN (US)**

(73) Assignee: **Outdoor Recreation Company of America, LLC, Nashville, TN (US)**

(**) Term: **15 Years**

(21) Appl. No.: **29/547,114**

(22) Filed: **Dec. 1, 2015**

(51) **LOC (10) Cl.** **07-01**

(52) **U.S. Cl.**
USPC **D7/608**

(58) **Field of Classification Search**
USPC D7/619.1-625, 605-608
CPC B65D 81/3879; B65D 23/0885; B65D 23/0857; B65D 23/08; B65D 81/3886; B65D 81/3823; B65D 1/06; A45C 11/20; A47G 23/0216; A47G 23/02; A47G 23/0208; A47G 2023/0283; A47G 19/2288; F17C 13/001; F25D 3/08; F25D 2331/804

See application file for complete search history.

(56) **References Cited**

U.S. PATENT DOCUMENTS

3,120,319 A * 2/1964 Buddrus B65D 23/0885 206/523
3,229,840 A * 1/1966 Filleul B65D 1/06 215/12.1
4,338,795 A * 7/1982 House, Jr. A45C 11/20 62/372
4,510,769 A * 4/1985 McClellan, Jr. ... B65D 23/0885 215/12.1

4,708,254 A * 11/1987 Byrns B65D 23/0857 215/13.1
5,915,580 A * 6/1999 Melk B65D 23/08 215/386
D638,708 S * 5/2011 Walsh D9/500
D714,100 S * 9/2014 Hiner D7/607
2009/0255941 A1* 10/2009 Kuntz B65D 81/3879 220/592.17

* cited by examiner

Primary Examiner — Terry Wallace

(74) *Attorney, Agent, or Firm* — Luedeka Neely Group, P.C.

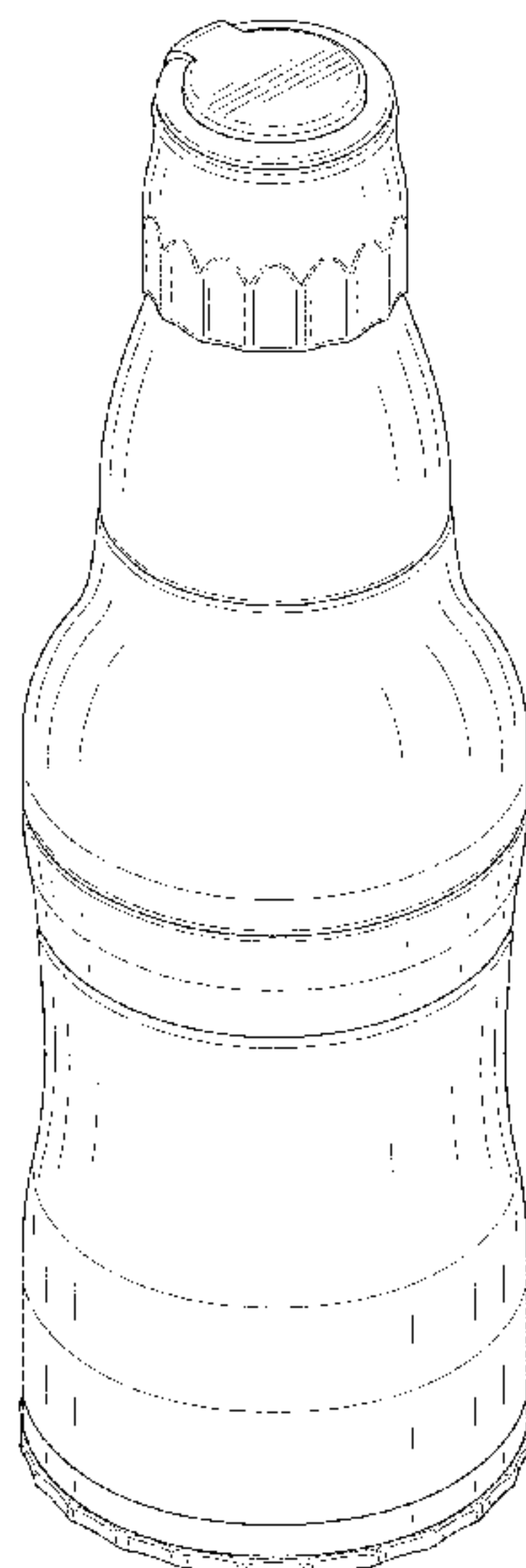
(57) **CLAIM**

The ornamental design of the insulated jacket for a bottle or a can, as shown and described.

DESCRIPTION

FIG. 1 is a perspective view of an insulated jacket for a bottle or a can shown in a configuration for holding a bottle; FIG. 2 is a front view of the insulated jacket in the bottle holding configuration; FIG. 3 is a rear view of the insulated jacket in the bottle holding configuration; FIG. 4 is a left side view of the insulated jacket in the bottle holding configuration, which is a mirror image of the right side view; FIG. 5 is a top view of the insulated jacket in the bottle holding configuration; FIG. 6 is a bottom view of the insulated jacket in the bottle holding configuration; FIG. 7 is a side view of the insulated jacket in the can holding configuration; and, FIG. 8 is a top perspective view of the insulated jacket in the can holding configuration. The can shown in broken lines is for illustrative purposes only and forms no part of the claimed design.

1 Claim, 7 Drawing Sheets



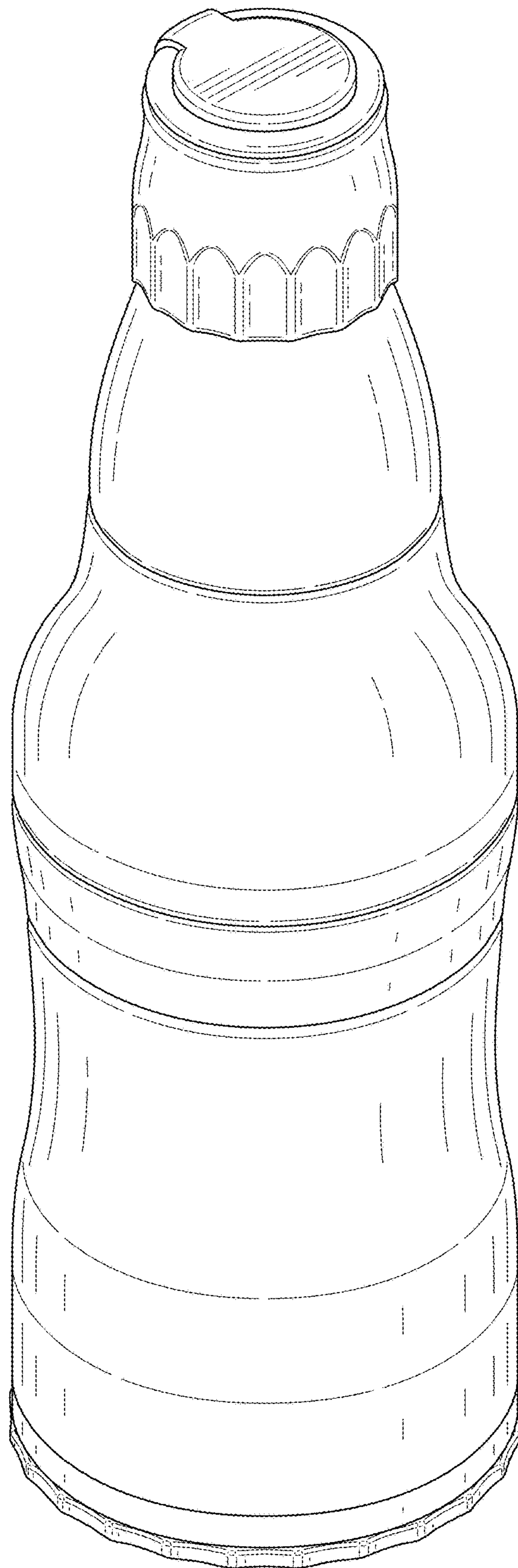


FIG. 1

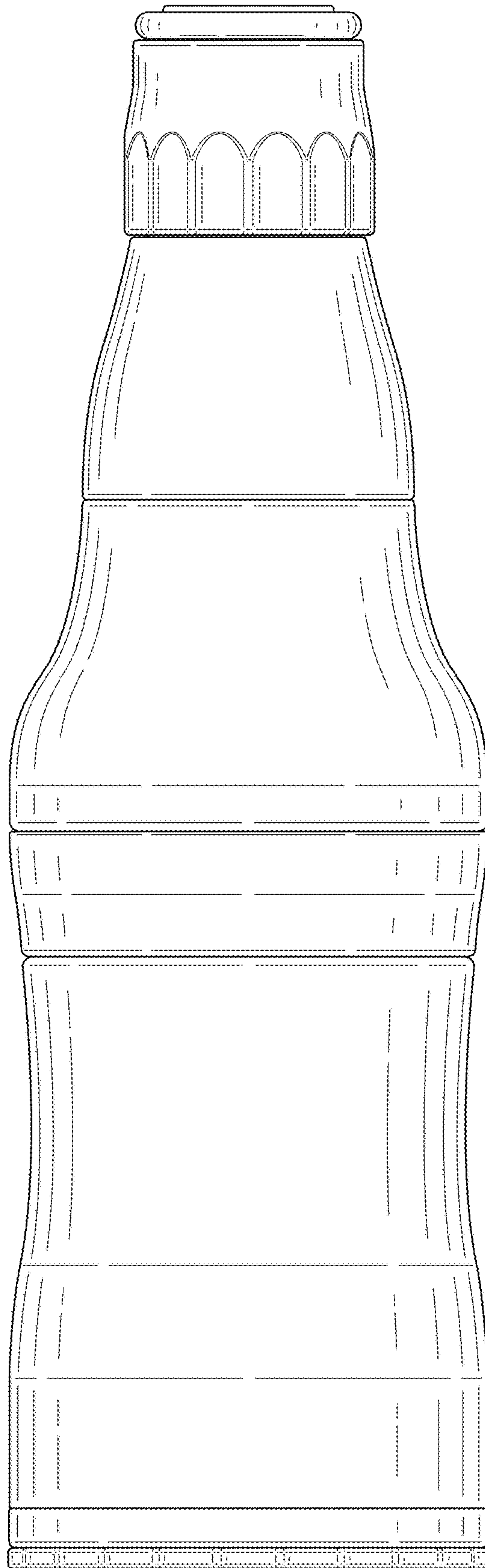


FIG. 2

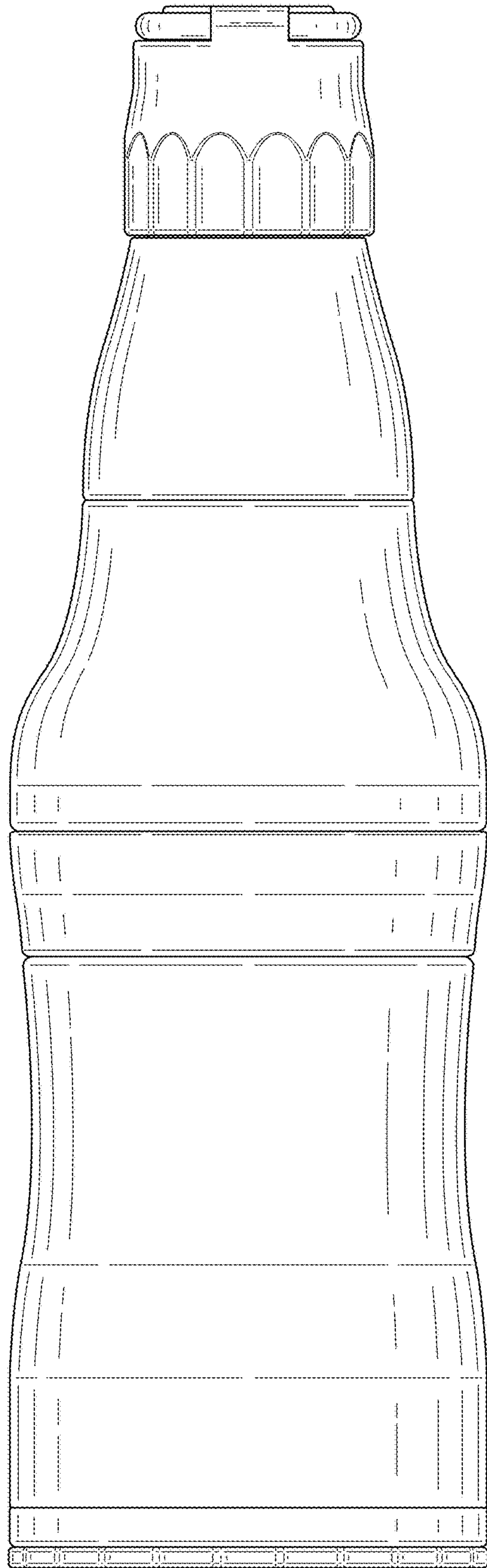


FIG. 3

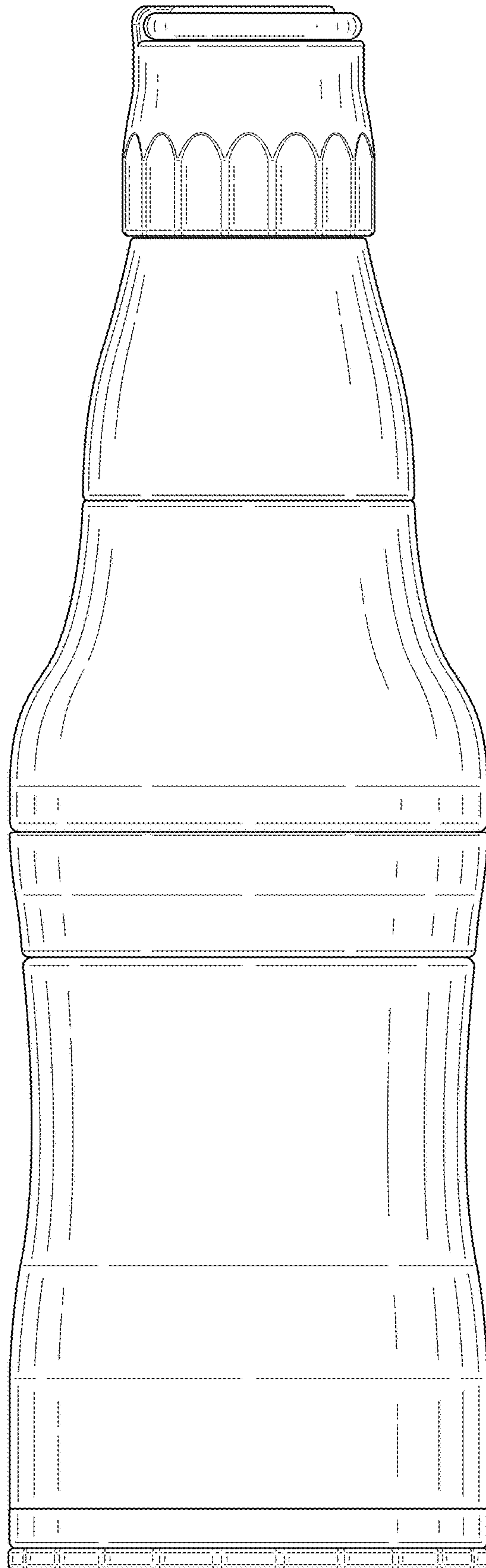


FIG. 4

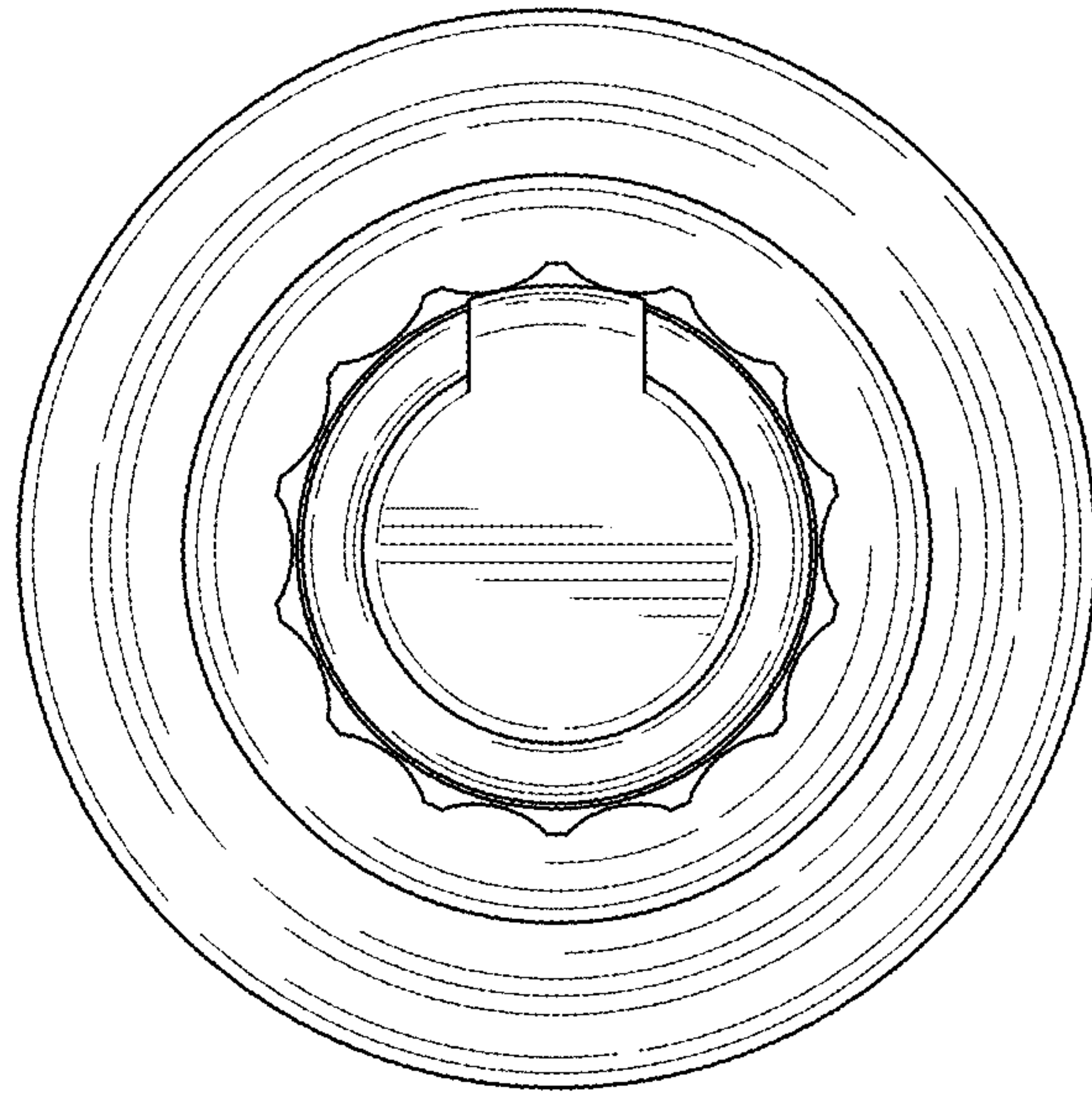


FIG. 5

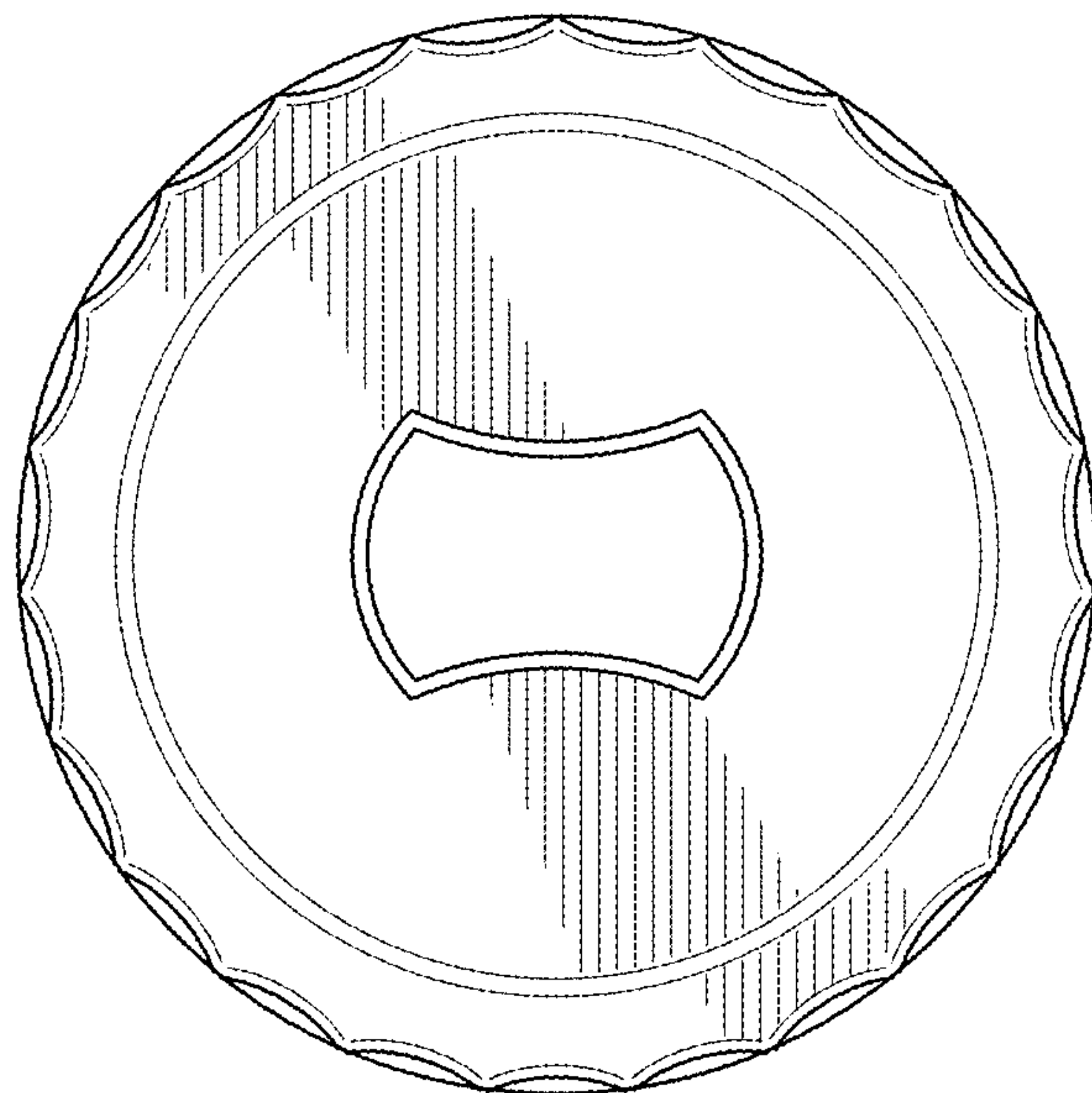


FIG. 6

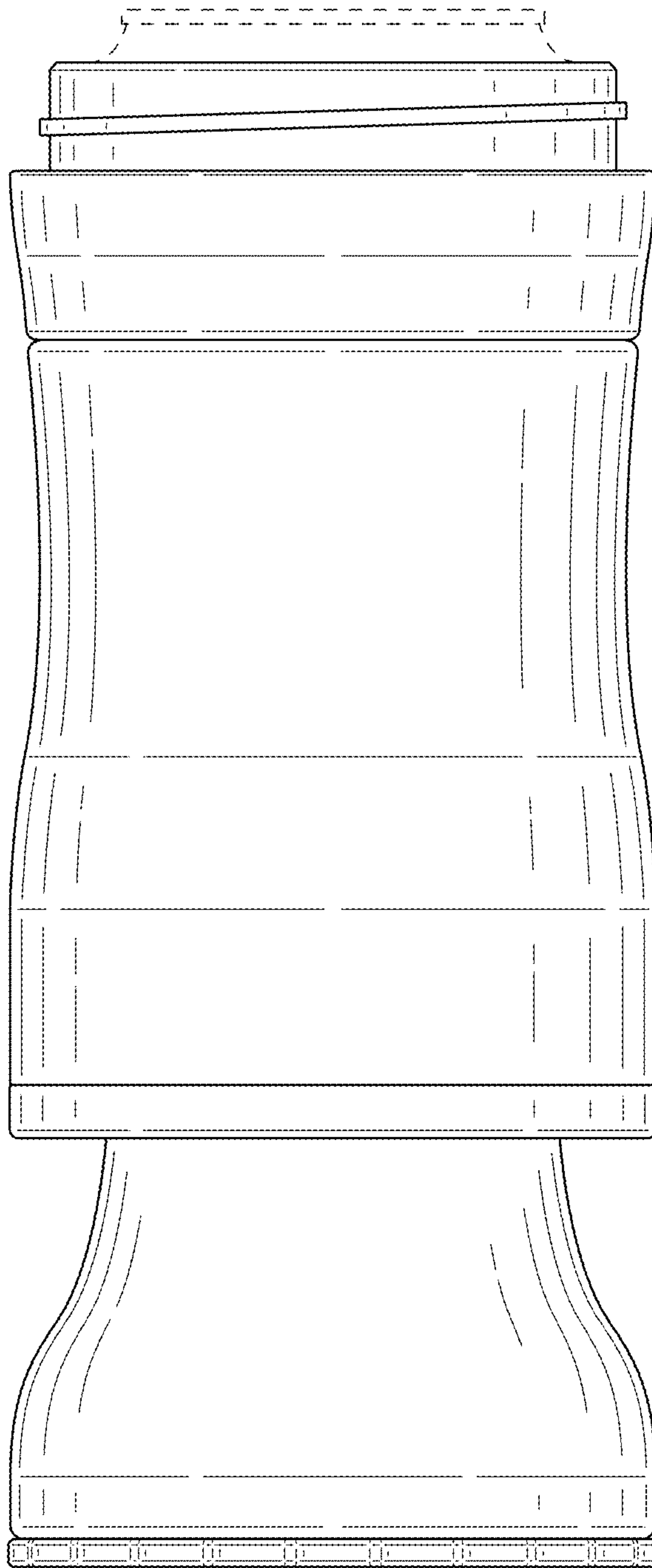


FIG. 7

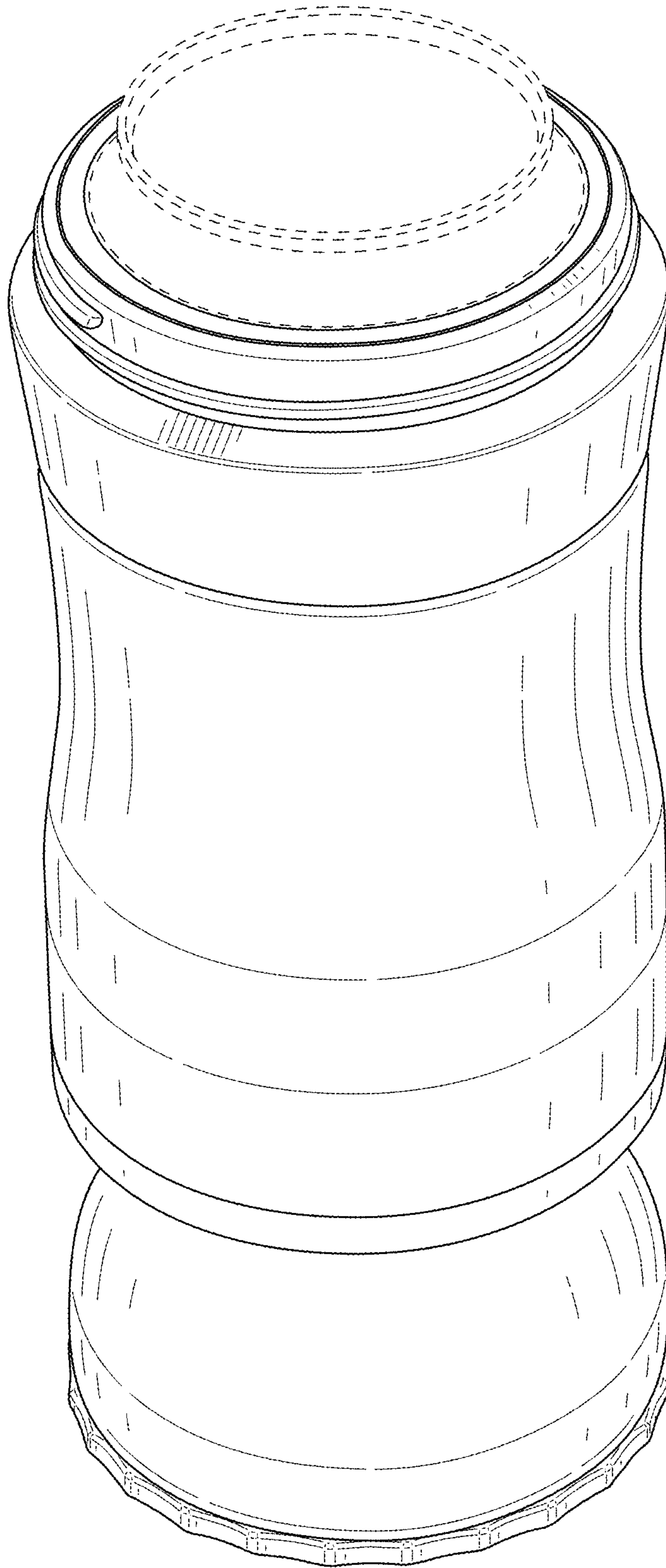


FIG. 8