



US00D788544S

(12) **United States Design Patent** (10) **Patent No.:** **US D788,544 S**  
**Seiders et al.** (45) **Date of Patent:** **\*\* Jun. 6, 2017**

(54) **BOTTLE**  
(71) Applicant: **YETI Coolers, LLC**, Austin, TX (US)  
(72) Inventors: **Roy Joseph Seiders**, Austin, TX (US);  
**Steve Nichols**, Austin, TX (US);  
**Matthew Joseph Petrillo**, Austin, TX (US)

D286,604 S 11/1986 Bierlein et al.  
D286,847 S 11/1986 Zimmermann  
D287,211 S 12/1986 Weiss  
D321,628 S 11/1991 Kobayashi et al.  
D332,379 S 1/1993 Murphy  
(Continued)

(73) Assignee: **YETI Coolers, LLC**, Austin, TX (US)  
(\*\*) Term: **15 Years**

FOREIGN PATENT DOCUMENTS

CN 301110494 1/2010  
CN 303528321 12/2015  
(Continued)

(21) Appl. No.: **29/541,376**

OTHER PUBLICATIONS

Yeti 36 oz. Rambler: Announced Jan. 11, 2016 [online], site visited [May 10, 2016]. Available from Internet URL: <http://yeticoolers.com/rambler-bottle-36-oz/>.

(22) Filed: **Oct. 2, 2015**

(51) **LOC (10) Cl.** ..... **07-01**  
(52) **U.S. Cl.**

USPC ..... **D7/608**; D9/537; D9/504

(58) **Field of Classification Search**

USPC ..... D7/605–608, 509, 510, 511;  
D9/500–505, 443, 516, 532, 522, 558

CPC ..... A47G 19/2205; A47G 2019/2294; A47G  
19/23; A47G 19/2272; A47J 41/02; A47J  
41/022; A47J 41/024; A47J 41/026; A47J  
41/028; A47J 41/00; A47J 41/0077; B65D  
81/3823; B65D 81/3818; B65D 81/3846

See application file for complete search history.

(Continued)

*Primary Examiner* — Terry Wallace

(74) *Attorney, Agent, or Firm* — Banner & Witcoff, Ltd.

(57) **CLAIM**

The ornamental design for a bottle, as shown and described.

**DESCRIPTION**

FIG. 1 is a top, front, right perspective view of a bottle showing our new design;

FIG. 2 is a front view thereof, wherein the rear view is a mirror image of FIG. 2;

FIG. 3 is a right side view thereof, wherein the left side view is a mirror image of FIG. 3; and,

FIG. 4 is a top view thereof.

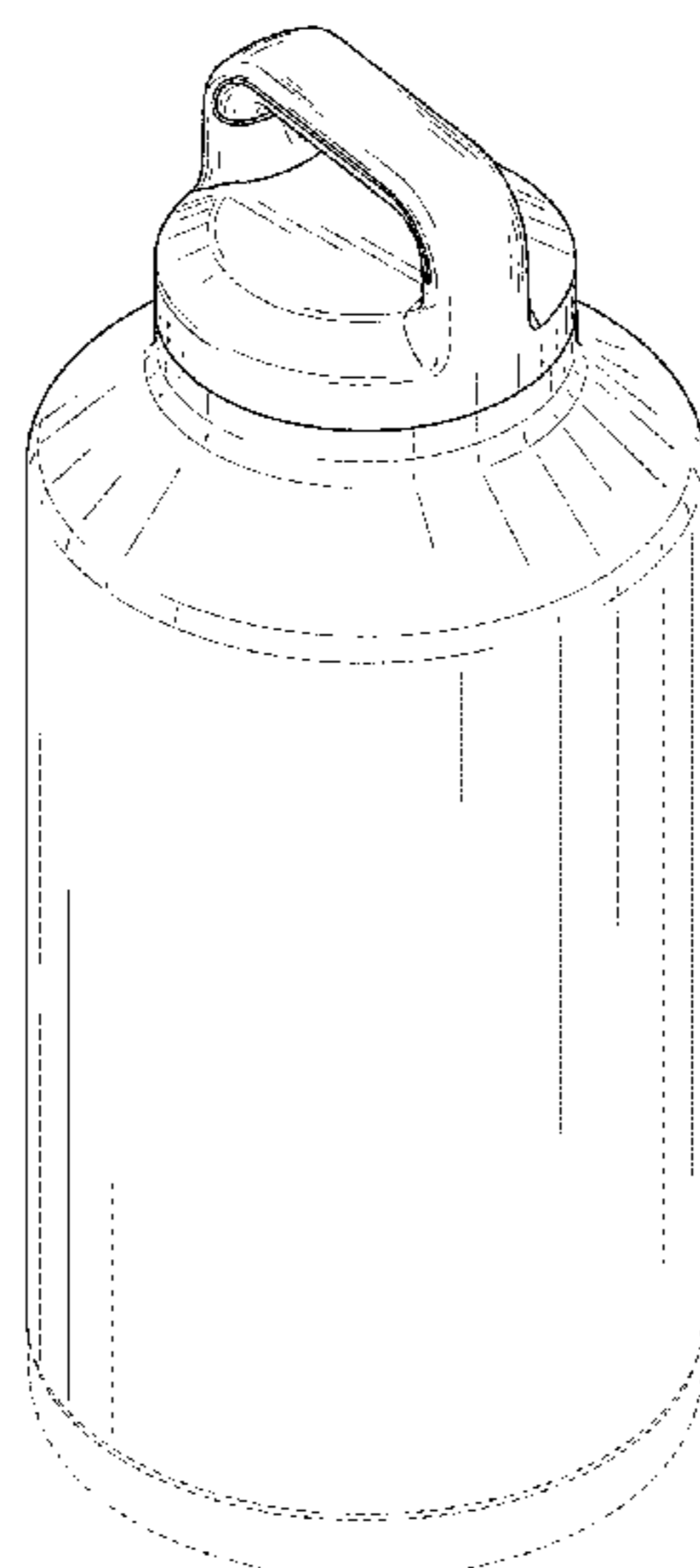
The broken lines immediately adjacent to the shaded area represent unclaimed boundaries of the design. The broken lines showing the remainder of the bottle are for environmental purposes only and form no part of the claimed design.

(56) **References Cited**

U.S. PATENT DOCUMENTS

D109,331 S 4/1938 McManus et al.  
D154,378 S 7/1949 Fuller  
D177,761 S 5/1956 Reinhardt  
2,963,187 A \* 12/1960 Bramming ..... A47J 41/02  
215/12.1  
3,089,603 A 5/1963 Leslie-Smith  
D224,646 S 8/1972 Vollquartz  
D235,303 S 6/1975 Boucher  
D256,651 S 9/1980 Leung et al.  
D279,346 S \* 6/1985 Ruxton ..... D7/321  
D281,567 S 12/1985 Zimmermann

**1 Claim, 3 Drawing Sheets**



(56)

References Cited

U.S. PATENT DOCUMENTS

D354,915 S 1/1995 Schneider et al.  
 D368,224 S 3/1996 Arndt  
 D398,193 S 9/1998 Sanchez  
 D405,650 S 2/1999 Meier  
 D415,395 S 10/1999 Hunt et al.  
 D422,916 S 4/2000 Herrmann  
 6,332,557 B1 \* 12/2001 Moran ..... A47J 41/0083  
 215/12.1  
 D456,669 S \* 5/2002 Munari ..... D7/392.1  
 D458,133 S 6/2002 Berish et al.  
 D458,134 S 6/2002 Berish et al.  
 D466,814 S 12/2002 Hurlburt  
 D479,800 S 9/2003 McRae  
 D482,607 S 11/2003 McRae  
 D494,425 S 8/2004 Segura  
 D524,909 S 7/2006 Bakke et al.  
 D525,518 S 7/2006 Baldwin  
 D536,929 S \* 2/2007 Kingsley ..... D7/510  
 D548,082 S \* 8/2007 Kingsley ..... D9/500  
 D553,914 S 10/2007 Wahl  
 D554,000 S 10/2007 Walsh  
 D564,363 S 3/2008 Rhea  
 D572,585 S 7/2008 Perrin et al.  
 D584,623 S 1/2009 Chupak  
 D587,533 S 3/2009 Carreno  
 D601,436 S 10/2009 Stephens et al.  
 D603,331 S 11/2009 Schupp  
 D603,722 S 11/2009 Reimer  
 D604,181 S 11/2009 Reimer  
 D604,561 S 11/2009 Chisholm  
 D605,040 S 12/2009 Fry et al.  
 D605,060 S 12/2009 Reimer  
 D611,346 S 3/2010 Camomile  
 D612,235 S 3/2010 Cresswell et al.  
 D614,918 S 5/2010 Chisholm  
 D615,360 S 5/2010 Joy et al.  
 D615,816 S 5/2010 Joy et al.  
 D616,703 S 6/2010 Joy et al.  
 D616,743 S 6/2010 Cresswell et al.  
 D616,744 S 6/2010 Cresswell et al.  
 D619,457 S 7/2010 Walsh  
 D619,458 S 7/2010 Walsh  
 D619,459 S 7/2010 Walsh  
 D620,798 S 8/2010 Cresswell et al.  
 D621,257 S 8/2010 Gullickson et al.  
 D621,258 S 8/2010 Gullickson et al.  
 D622,089 S 8/2010 Daniel et al.  
 D622,145 S 8/2010 Walsh  
 D623,475 S 9/2010 Aarnoudse et al.  
 D625,560 S \* 10/2010 Olson ..... D7/300.1  
 D626,414 S 11/2010 Cresswell et al.  
 D626,416 S 11/2010 Cresswell et al.  
 D627,601 S 11/2010 Eyal  
 D627,602 S 11/2010 Eyal  
 D627,604 S 11/2010 Eyal  
 D628,486 S 12/2010 Lane  
 D629,689 S 12/2010 Cresswell et al.  
 D629,690 S 12/2010 Cresswell et al.  
 D629,691 S 12/2010 Cresswell et al.  
 D630,474 S 1/2011 Gilbert  
 D630,475 S 1/2011 Lu  
 D631,666 S 2/2011 Lim et al.  
 D633,338 S 3/2011 Rosbach et al.  
 D633,794 S 3/2011 Cresswell et al.  
 D633,795 S 3/2011 Cresswell et al.  
 D633,796 S 3/2011 Cresswell et al.  
 D633,797 S 3/2011 Cresswell et al.  
 D635,457 S \* 4/2011 Lane ..... D7/510  
 D635,856 S 4/2011 Lauret  
 D638,695 S \* 5/2011 Woodrow ..... D8/382  
 D638,708 S 5/2011 Walsh  
 D639,164 S 6/2011 Walsh  
 D639,661 S 6/2011 Llerena  
 D639,663 S 6/2011 Llerena  
 D641,591 S 7/2011 Tsukida

D651,847 S 1/2012 Gilbert  
 D652,255 S 1/2012 Carland  
 D652,682 S 1/2012 Eyal  
 D654,762 S 2/2012 Gilbert  
 D655,134 S 3/2012 Gilbert  
 D655,581 S 3/2012 Kotani  
 D657,196 S \* 4/2012 Beyers, III ..... D7/513  
 D658,064 S 4/2012 Barnes et al.  
 D658,445 S 5/2012 Carreno  
 D659,007 S 5/2012 Pape  
 D660,084 S 5/2012 Gilbert  
 D662,360 S \* 6/2012 George ..... D7/510  
 8,215,511 B1 \* 7/2012 Lin ..... B65D 39/08  
 215/228  
 D664,809 S 8/2012 Eyal  
 D665,621 S 8/2012 Eyal  
 D668,913 S \* 10/2012 Mayer ..... D7/510  
 D672,238 S 12/2012 Aziz et al.  
 D672,609 S 12/2012 Aziz et al.  
 D675,100 S 1/2013 Herbst  
 D676,764 S 2/2013 Moore et al.  
 D678,772 S 3/2013 Johnson et al.  
 D680,389 S \* 4/2013 Zemel ..... D7/672  
 D684,059 S 6/2013 Johnson et al.  
 D686,078 S 7/2013 Johnson et al.  
 D688,093 S 8/2013 Roth et al.  
 D693,698 S 11/2013 Miller, Jr.  
 D695,138 S 12/2013 Ball  
 D696,945 S 1/2014 Newman  
 D697,404 S 1/2014 Johnson et al.  
 D698,668 S 2/2014 Vaughn  
 D701,464 S 3/2014 Ogata et al.  
 D702,092 S 4/2014 Mettler et al.  
 D702,506 S 4/2014 Mettler et al.  
 D708,954 S \* 7/2014 Barnes ..... D7/511  
 D709,734 S 7/2014 Kotani  
 D712,254 S 9/2014 Geis et al.  
 D712,255 S 9/2014 Geis et al.  
 D713,268 S 9/2014 Jones et al.  
 D713,365 S 9/2014 Green  
 D717,102 S 11/2014 Taketani et al.  
 D724,385 S \* 3/2015 Hurley ..... D7/511  
 D728,315 S 5/2015 Bo  
 D728,995 S 5/2015 Barberi  
 D729,579 S \* 5/2015 Molayem ..... D7/507  
 D729,584 S 5/2015 Weston et al.  
 D732,402 S 6/2015 Jones et al.  
 D734,154 S 7/2015 Johnson et al.  
 D735,578 S 8/2015 Mazurkiewicz et al.  
 D741,655 S 10/2015 Whelan et al.  
 D743,742 S 11/2015 Rummel et al.  
 D744,781 S 12/2015 Rummel et al.  
 D754,472 S 4/2016 Munari  
 2011/0186585 A1 \* 8/2011 Lu ..... A47J 41/00  
 220/575  
 2014/0353275 A1 \* 12/2014 Hung ..... B65D 47/305  
 215/311

FOREIGN PATENT DOCUMENTS

JP 1530358 8/2015  
 KR 300303813.0000 8/2002  
 KR 300751936.0000 7/2014  
 KR 300764889.0000 10/2014  
 WO D088688-002 1/2016

OTHER PUBLICATIONS

KOLD Vacuum Insulated Stainless Steel Sports Bottle: Announced Dec. 8, 2015 [online], site visited [May 11, 2016]. Available from Internet URL: <http://www.amazon.com/KOLD-Sports-Water-Bottles-Insulated/dp/B018YH K79E/ref=cm>.  
 United States District Court Western District of Texas Austin Division, "Complaint for Damages and Injunctive Relief," *YETI Coolers, LLC v. RTIC Coolers, LLC, RTIC Drinkware, LLC and RTIC Web Services, LLC*, Case: 1:16-cv-00985, Document #1, filed Aug. 18, 2016, 27 pages.



(56)

**References Cited**

## OTHER PUBLICATIONS

“Hydro Flask Insulated Stainless Steel Water Bottle” published on Dec. 29, 2014, retrieved from [http://web.archive.org/web/\\*/https://www.amazon.com/dp/B004X55L9I/ref=twister\\_B00GA03LG4?\\_encoding=UTF8&psc=1](http://web.archive.org/web/*/https://www.amazon.com/dp/B004X55L9I/ref=twister_B00GA03LG4?_encoding=UTF8&psc=1) on Sep. 22, 2016.

“UA Beyond 18 oz. Vacuum Insulated Water Bottle” published on Mar. 29, 2015, retrieved from [http://web.archive.org/web/\\*/https://www.underarmour.com/en-us/beyond-18-oz-vacuum-insulated-ss-bottle-with-flip-top-lid/pid1232014](http://web.archive.org/web/*/https://www.underarmour.com/en-us/beyond-18-oz-vacuum-insulated-ss-bottle-with-flip-top-lid/pid1232014) on Sep. 22, 2016.

“Klean Kanteen Insulated Classic with Polypropylene” published on Jul. 7, 2015, retrieved from [http://web.archive.org/web/\\*/https://www.lifewithoutplastic.com/store/klean-kanteen-insulated-classic-with-polypropylene-loop-cap-0-95-l-32-oz.html](http://web.archive.org/web/*/https://www.lifewithoutplastic.com/store/klean-kanteen-insulated-classic-with-polypropylene-loop-cap-0-95-l-32-oz.html) on Sep. 22, 2016.

“Eco Vessel 64 ounce Growler” published on Jan. 28, 2015, retrieved from [http://web.archive.org/web/\\*/http://www.snewsnet.com/press-release/eco-vessel-launches-the-boss-insulated-growler/](http://web.archive.org/web/*/http://www.snewsnet.com/press-release/eco-vessel-launches-the-boss-insulated-growler/) on Sep. 22, 2016.

“60 oz Double-Wall Vacuum-Insulated Growler” published on Nov. 14, 2014, retrieved from [https://web.archive.org/web/\\*/http://www.fiftyfiftybottles.com/64oz-growler/](https://web.archive.org/web/*/http://www.fiftyfiftybottles.com/64oz-growler/) on Sep. 22, 2016.

“2015 Boulder Insulated Water Bottle with Tea, Fruit, Ice Strainer” published on Jun. 28, 2015, retrieved from [http://web.archive.org/web/\\*/http://www.ecovessel.com/boulder-insulated-water-bottle-with-tea-fruit-ice-strainer-20-oz/](http://web.archive.org/web/*/http://www.ecovessel.com/boulder-insulated-water-bottle-with-tea-fruit-ice-strainer-20-oz/) on Sep. 22.

United States District Court Western District of Texas Austin Division, “Defendants’ Motion to Dismiss Pursuant to Rule 12(b)(6),” *YETI Coolers, LLC v. RTIC Coolers, LLC, RTIC Drinkware, LLC and RTIC Web Services, LLC*, Case: 1:16-cv-00985, Document 9, filed Sep. 23, 2016, 27 pages.

“KB8 20 oz. Double Wall Stainless Bottle,” published on May 22, 2015, retrieved from <https://web.archive.org/web/20150807054814/http://thermo-steel.com/work/keen-kb8> on Sep. 27, 2016.

English translation of Office Action issued on Nov. 1, 2016 for JP Application No. 2016-9605, 2 pages.

English translation of Office Action issued on Nov. 1, 2016 for JP Application No. 2016-9606, 2 pages.

English translation of Office Action issued on Oct. 4, 2016 for JP Application No. 2016-9607, 2 pages.

English translation of Office Action issued on Oct. 4, 2016 for JP Application No. 2016-9608, 2 pages.

\* cited by examiner

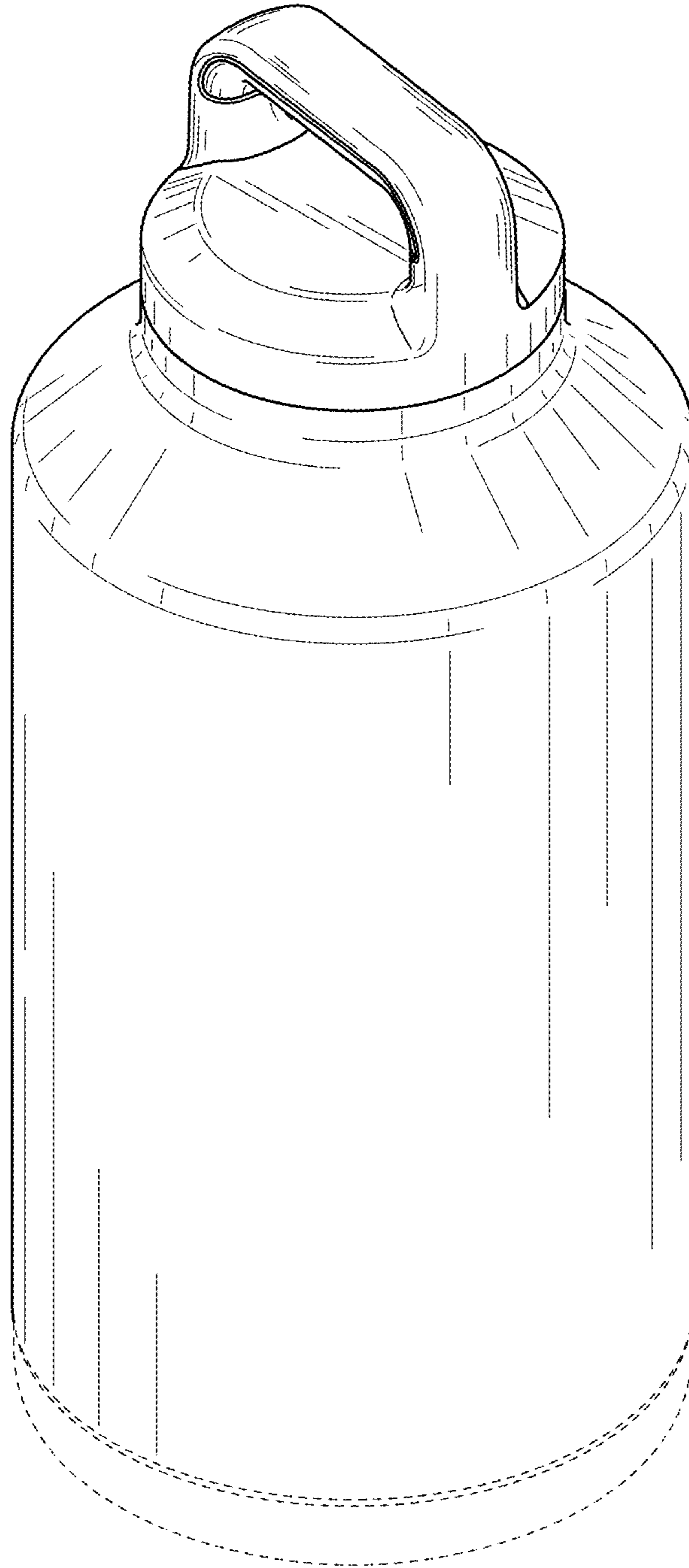


FIG. 1

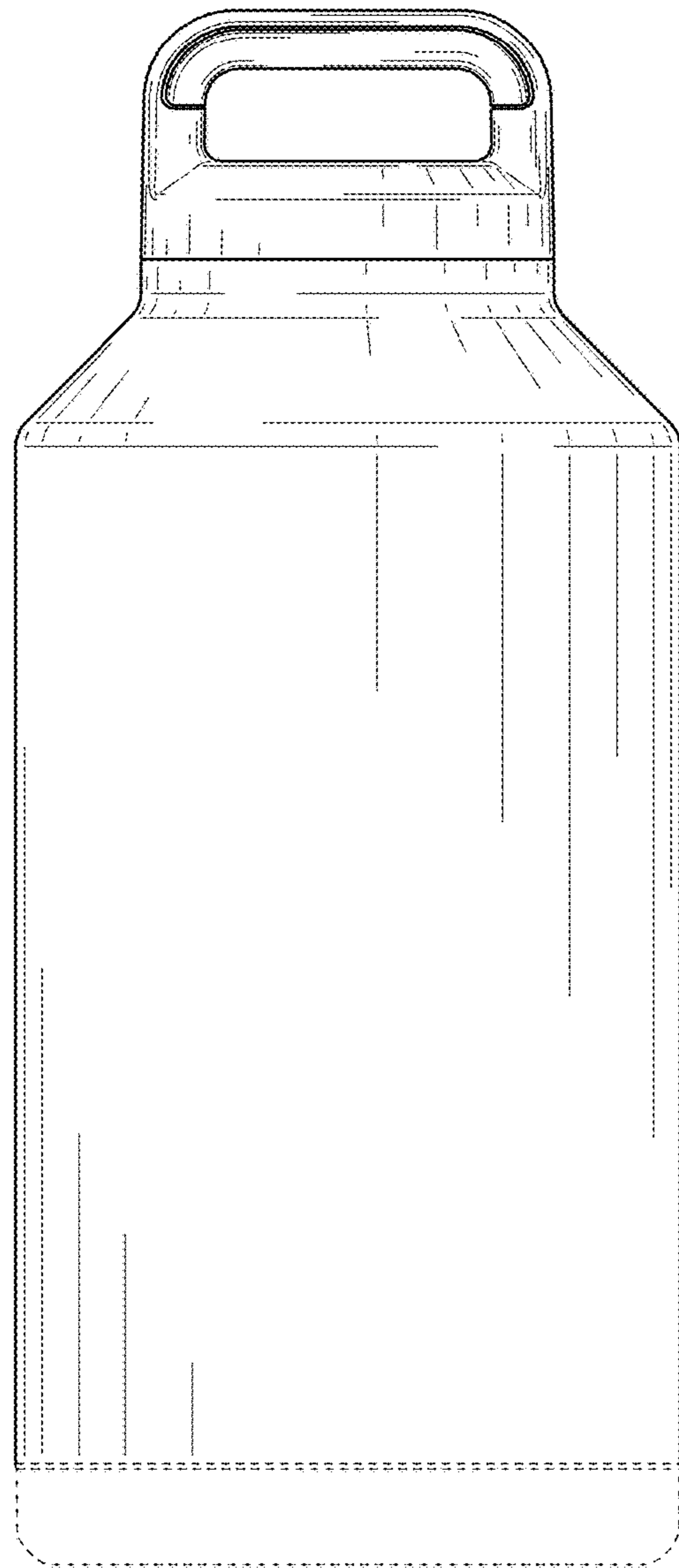


FIG. 2

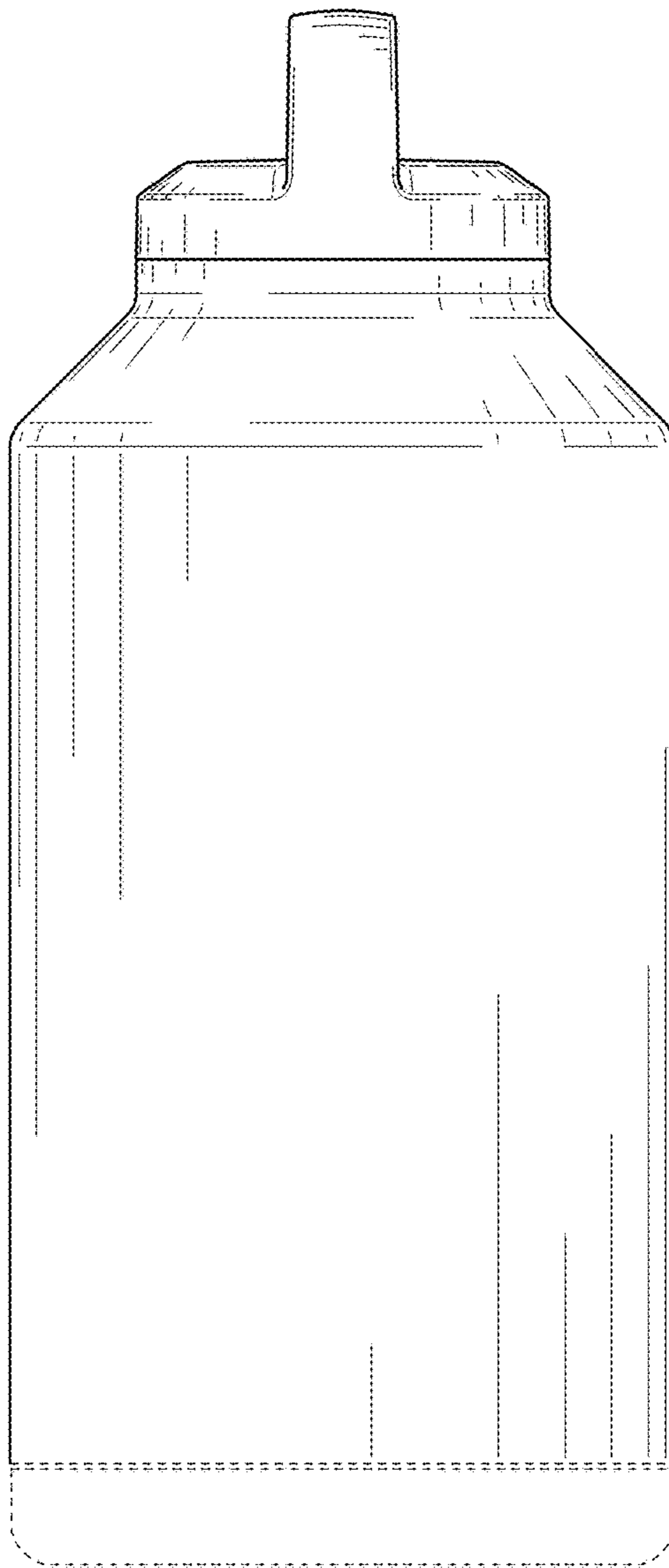


FIG. 3

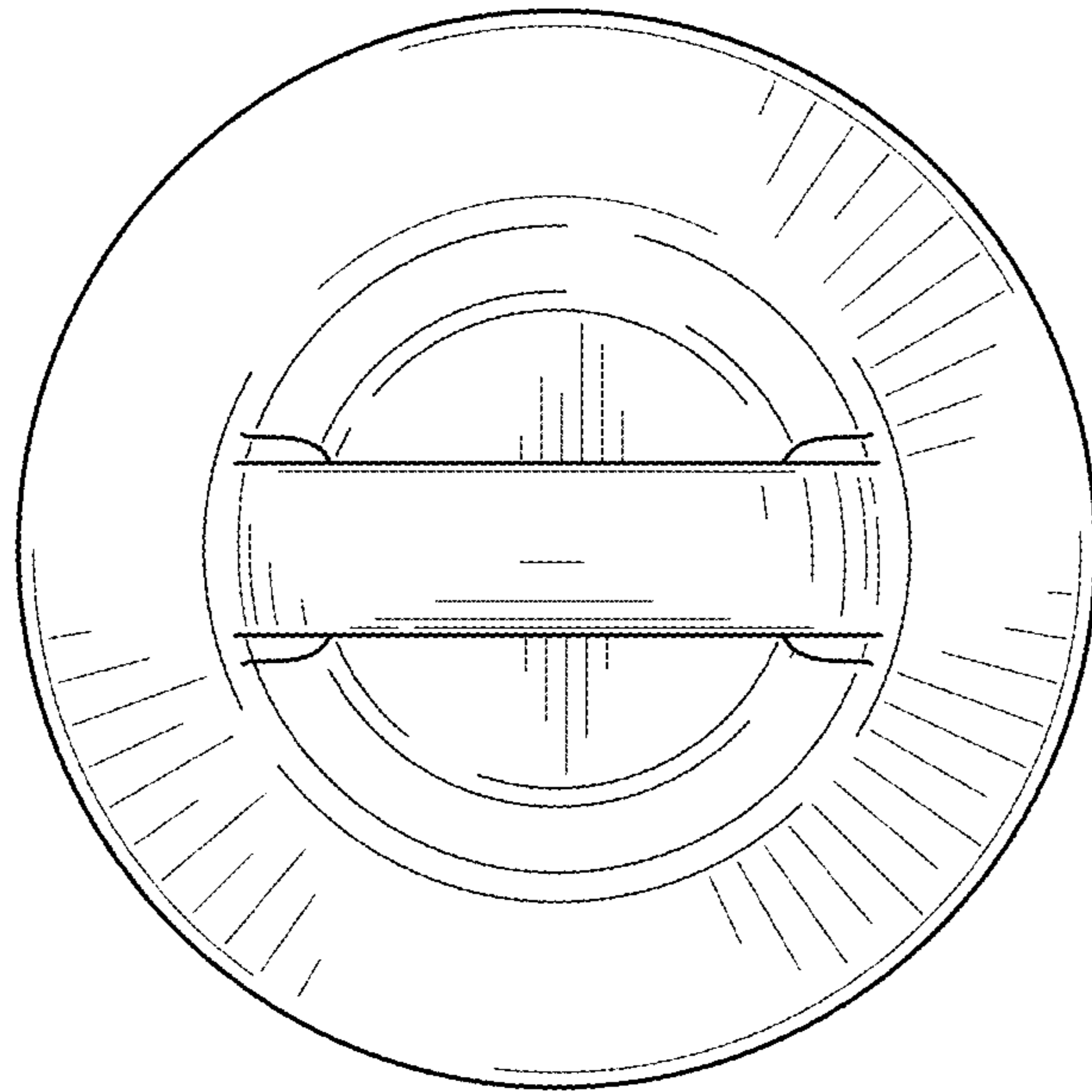


FIG. 4