



US00D788543S

(12) **United States Design Patent** (10) **Patent No.:** **US D788,543 S**
McCann et al. (45) **Date of Patent:** **** Jun. 6, 2017**

(54) **COOLER LID**

D467,468 S * 12/2002 Krieger D7/605
D528,368 S * 9/2006 Maldonado D7/605
D536,218 S * 2/2007 Krieger D7/605

(71) Applicants: **Sean Michael McCann**, Phoenix, AZ
(US); **Brian Fox**, Glendale, AZ (US)

* cited by examiner

(72) Inventors: **Sean Michael McCann**, Phoenix, AZ
(US); **Brian Fox**, Glendale, AZ (US)

Primary Examiner — Terry Wallace
(74) *Attorney, Agent, or Firm* — Dunlap Bennett &
Ludwig PLLC

(**) Term: **15 Years**

(57) **CLAIM**

(21) Appl. No.: **29/564,819**

The ornamental design for a cooler lid, as shown and described.

(22) Filed: **May 16, 2016**

(51) **LOC (10) Cl.** **07-01**

DESCRIPTION

(52) **U.S. Cl.**

USPC **D7/605**

(58) **Field of Classification Search**

USPC D7/605-608, 629; D9/434, 435
CPC ... A45C 5/14; A45C 11/20; F25D 3/06; F25D
3/08; F25D 3/02; B65D 81/3823; A47J
41/022

See application file for complete search history.

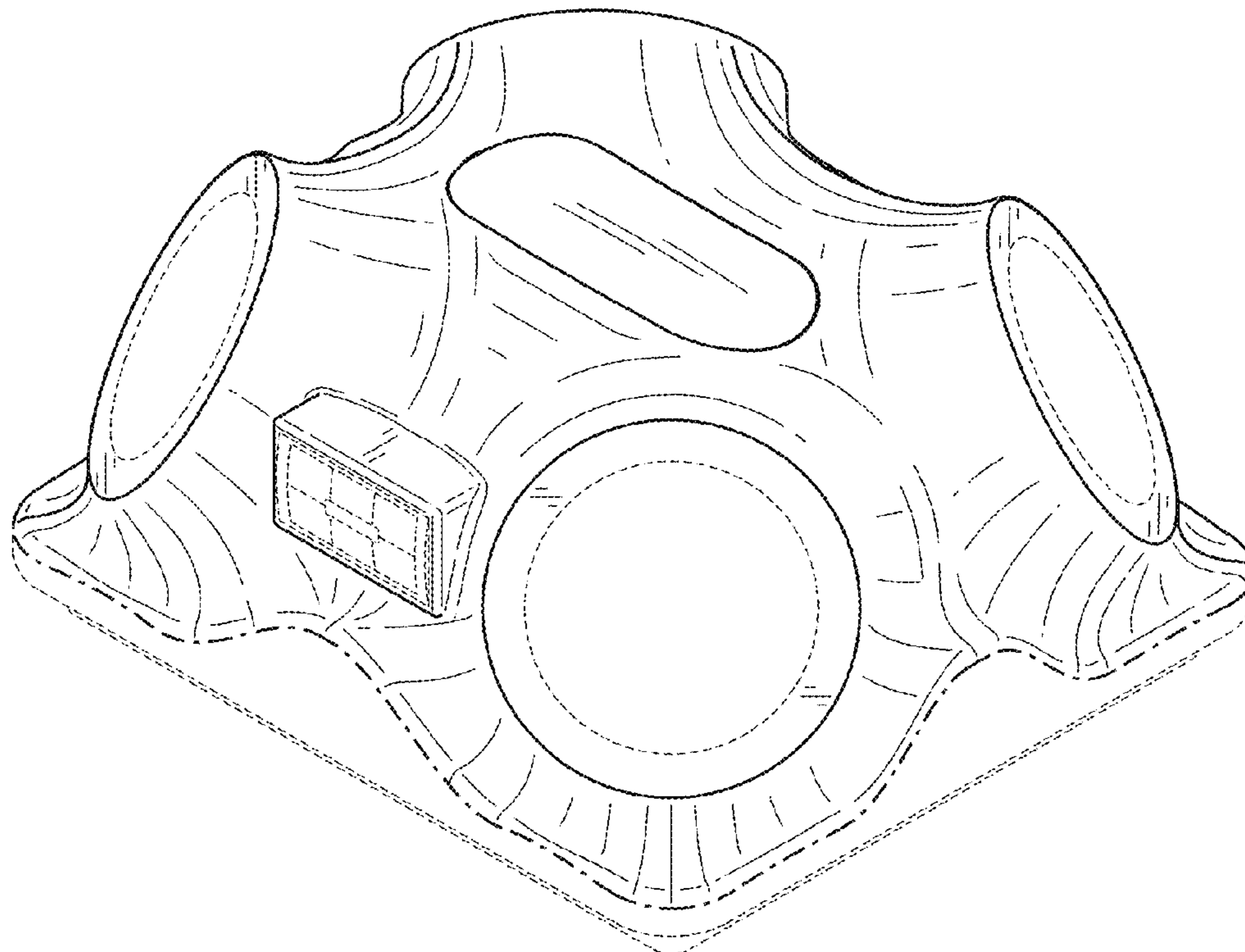
FIG. 1 is a perspective view of a cooler lid;
FIG. 2 is a front elevation view of FIG. 1;
FIG. 3 is a rear elevation view of FIG. 1;
FIG. 4 is a left side elevation view of FIG. 1, the right side
elevation view being a mirror image thereof;
FIG. 5 is a top plan view of FIG. 1;
FIG. 6 is a bottom plan view of FIG. 1; and,
FIG. 7 is a front elevation view of FIG. 1, shown in use.
The evenly-sized broken lines shown only in FIG. 7 depicts
environmental subject matter that forms no part of the
claimed design, while the remaining evenly-sized broken
lines shown throughout the Figures depict portions of the
cooler lid that form no part of the claimed design. The
unevenly-sized dash-dot-dash lines depict the bounds of the
claimed design.

(56) **References Cited**

U.S. PATENT DOCUMENTS

5,350,081 A * 9/1994 Graham A45C 11/20
220/23.83
D385,158 S * 10/1997 Rausch D7/608
D388,282 S * 12/1997 Floyd D3/323
D416,447 S * 11/1999 Levy D7/605
D417,126 S * 11/1999 Arnfelt D7/605

1 Claim, 5 Drawing Sheets



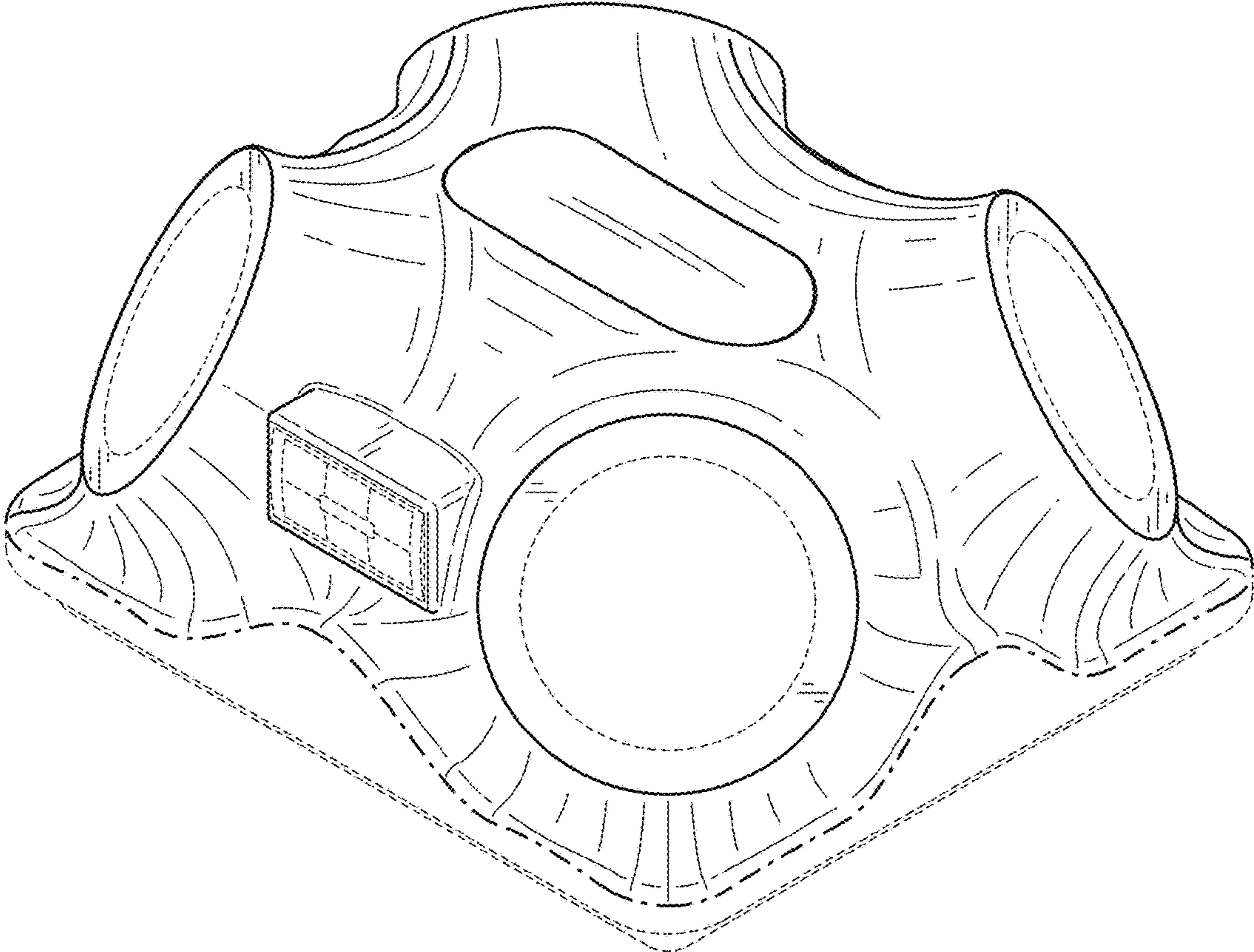


FIG. 1

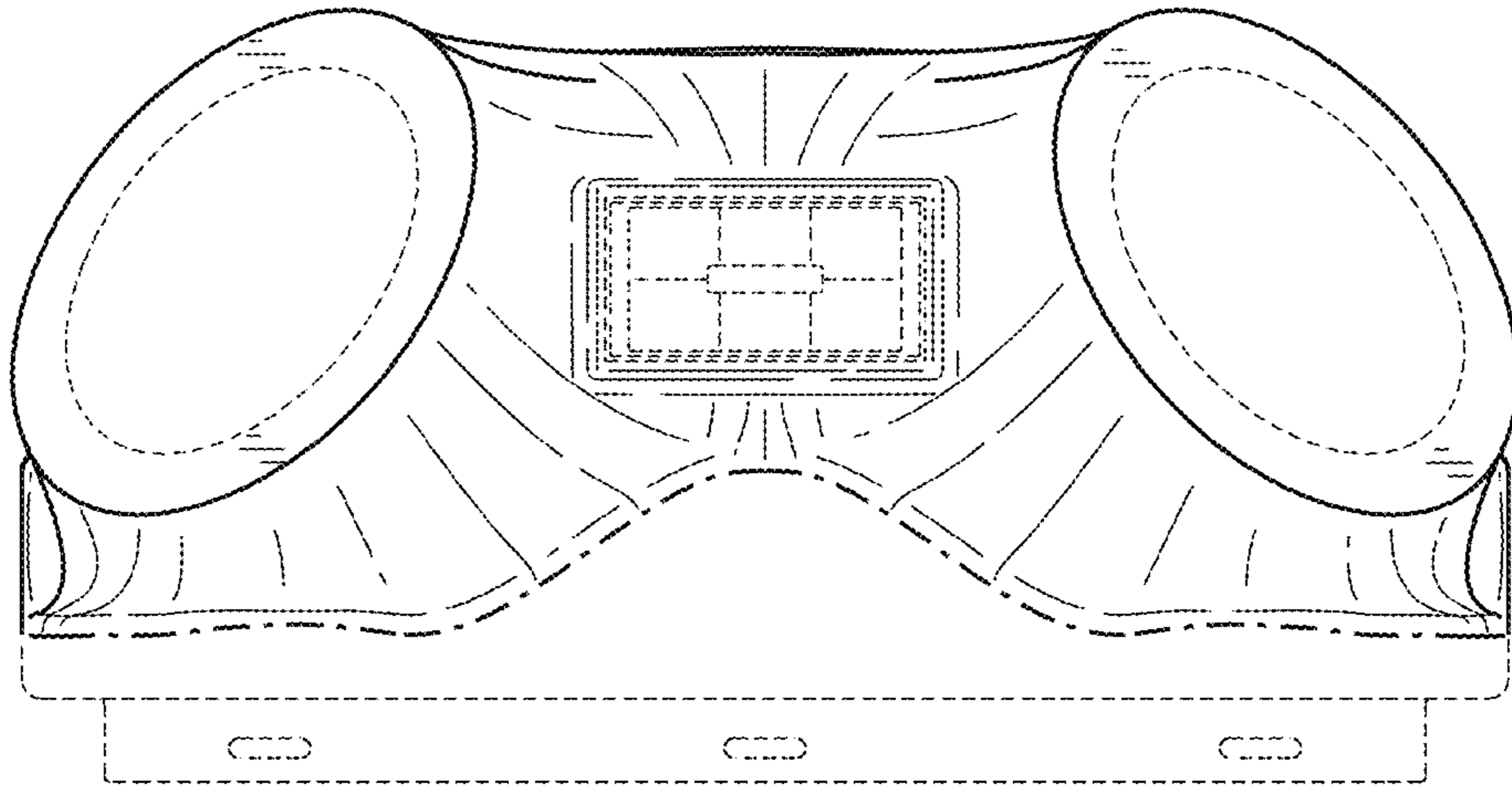


FIG. 2

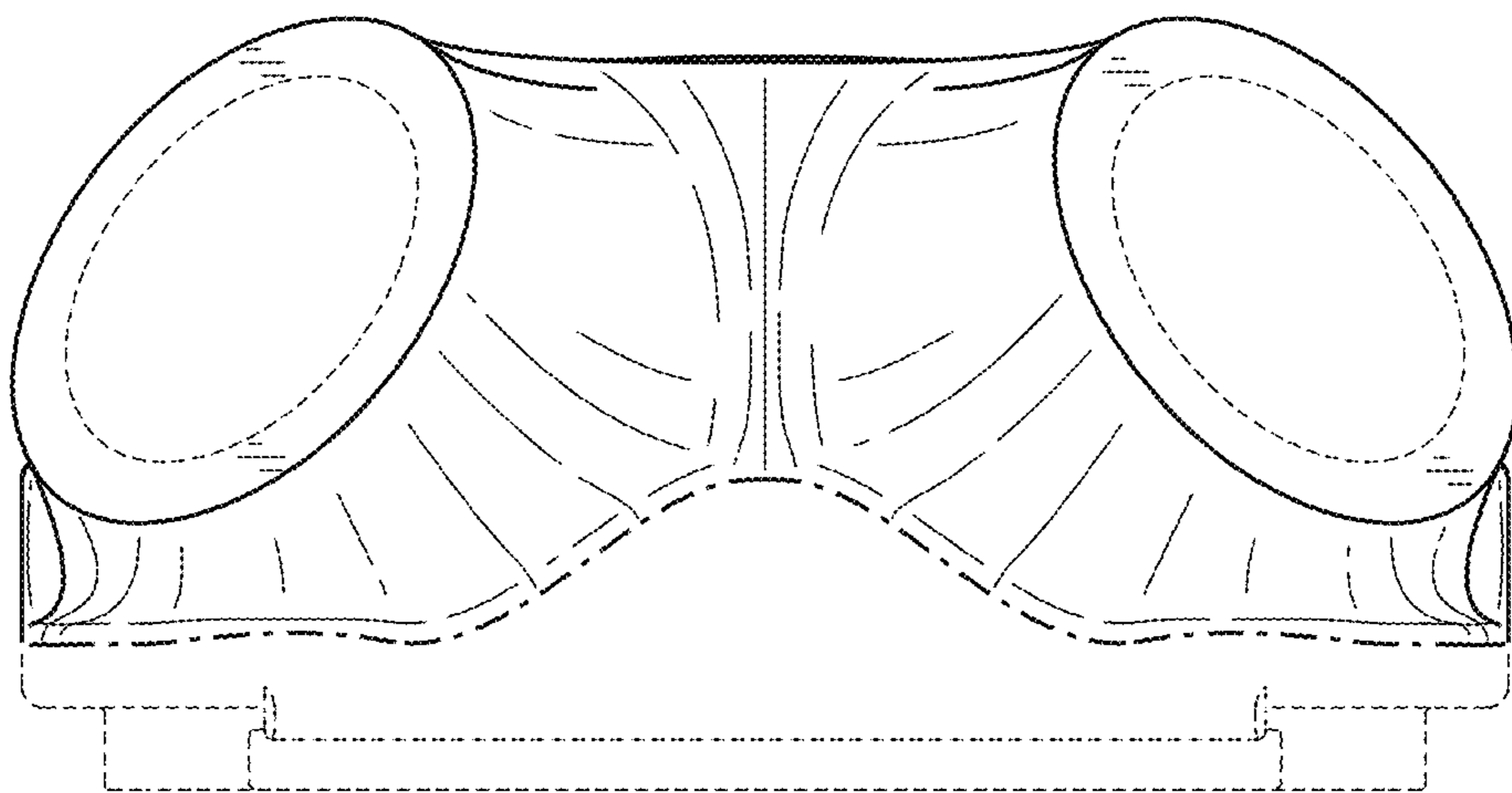


FIG. 3

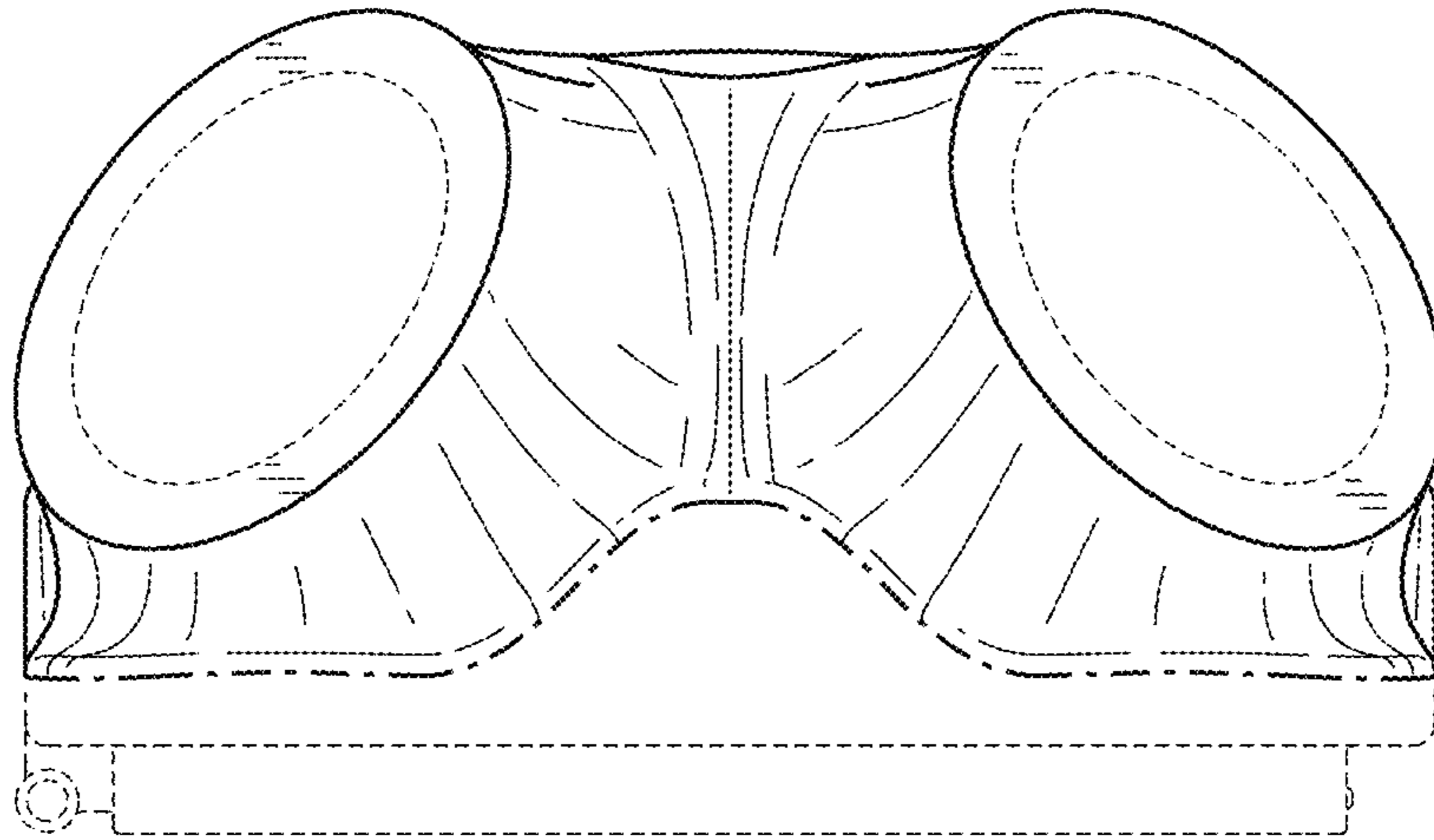


FIG. 4

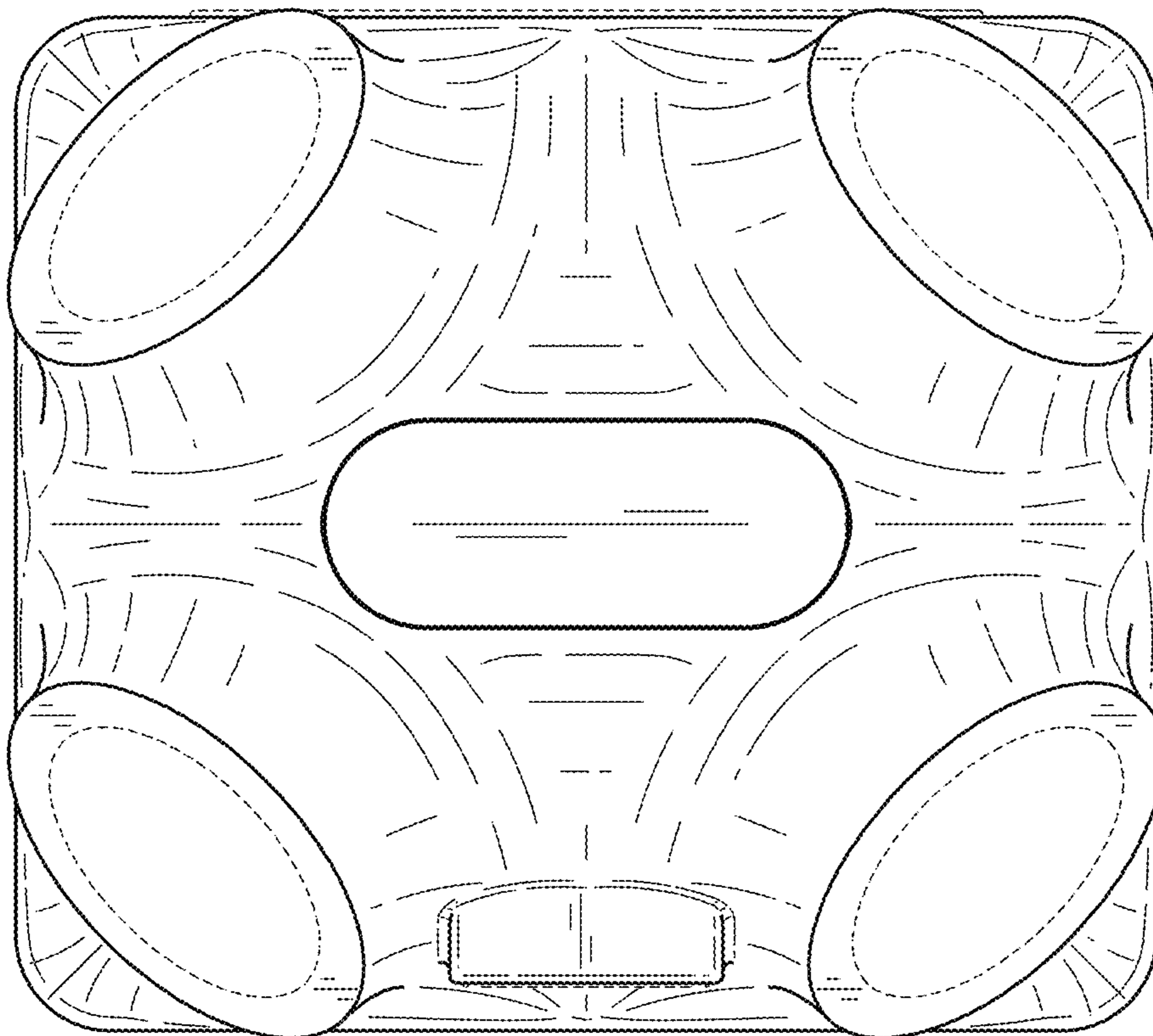


FIG. 5

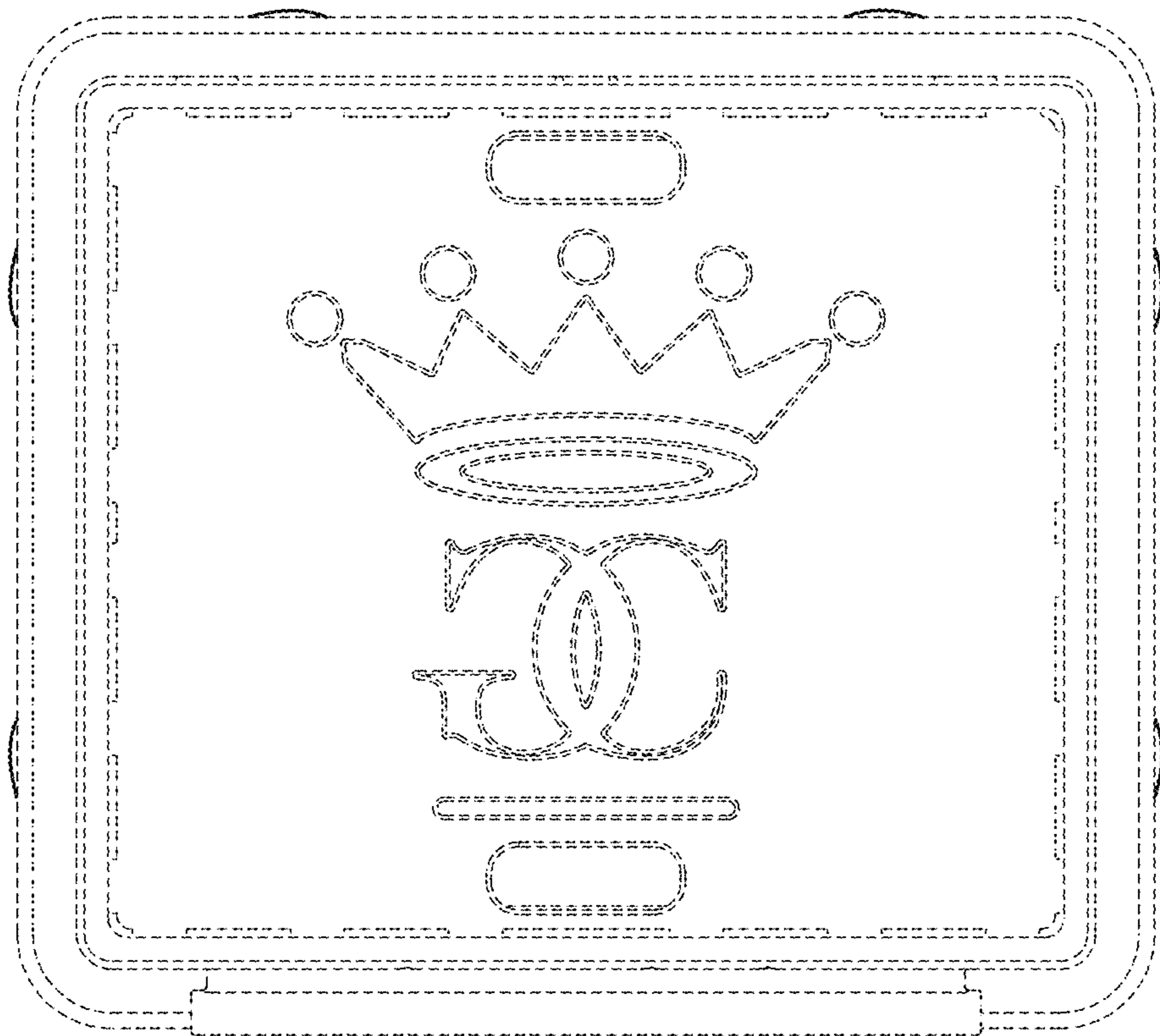


FIG. 6

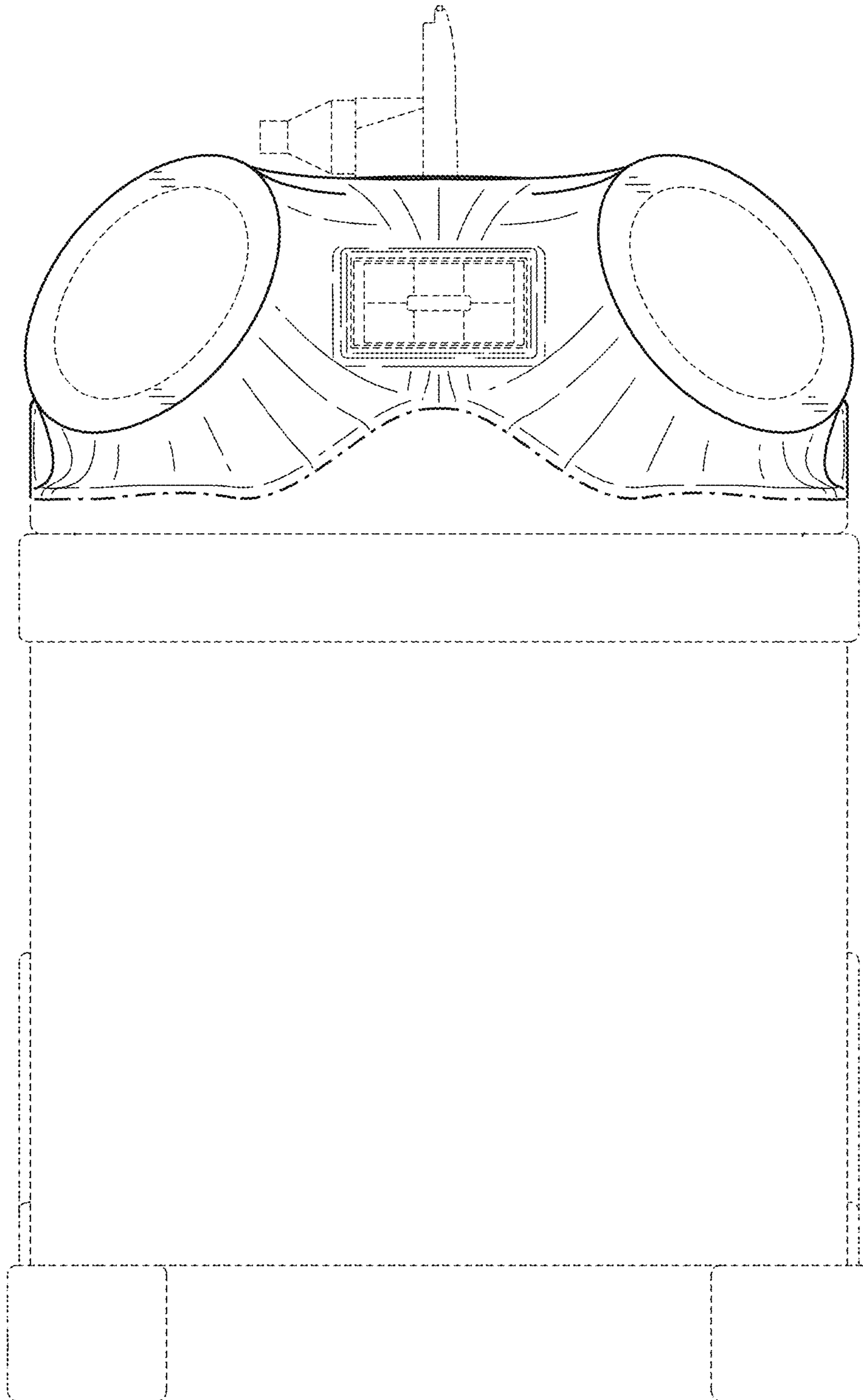


FIG. 7