



US00D788540S

(12) **United States Design Patent**
Mock

(10) **Patent No.:** **US D788,540 S**
(45) **Date of Patent:** **** Jun. 6, 2017**

(54) **BELT FOR A CARRYING A COOKING POT AND LID**

D585,180 S	1/2009	Mouquet	
7,520,547 B2	4/2009	Cornelissen	
2002/0038808 A1	4/2002	Riddick	
2012/0018468 A1	1/2012	Dunican, Sr.	
2013/0249226 A1*	9/2013	Marshall	A47J 45/10 294/34

(71) Applicant: **Dennis Mock**, Los Angeles, CA (US)

(72) Inventor: **Dennis Mock**, Los Angeles, CA (US)

(**) Term: **15 Years**

(21) Appl. No.: **29/545,174**

(22) Filed: **Nov. 10, 2015**

(51) **LOC (10) Cl.** **07-99**

(52) **U.S. Cl.**
USPC **D7/601**

(58) **Field of Classification Search**
USPC D7/601; D2/627, 629, 639, 640
CPC . A47J 36/06; A47J 45/10; A47J 45/00; Y10T
24/31; B65F 1/1615
See application file for complete search history.

(56) **References Cited**

U.S. PATENT DOCUMENTS

- | | | | | |
|----------------|---------|-------------|-------|------------------------|
| 4,545,501 A * | 10/1985 | DeFord | | B65F 1/1615
220/318 |
| 5,232,258 A | 8/1993 | Rossi | | |
| D388,657 S * | 1/1998 | Bacharowski | | D30/160 |
| 7,103,944 B2 * | 9/2006 | Johnson | | A47J 36/06
220/315 |
| D583,629 S | 12/2008 | Sgrillo | | |

FOREIGN PATENT DOCUMENTS

CN 201323984 10/2009

* cited by examiner

Primary Examiner — Terry Wallace

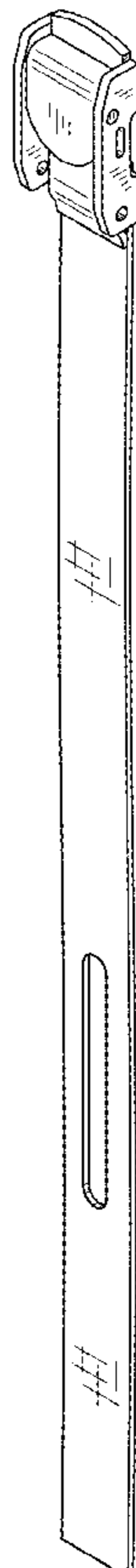
(57) **CLAIM**

I claim the ornamental design for a belt for a carrying a cooking pot and lid, as shown and described.

DESCRIPTION

FIG. 1 is a front view of the belt for a carrying a cooking pot and lid.
 FIG. 2 is a back view of the claimed design.
 FIG. 3 is a side view of the claimed design.
 FIG. 4 is a top view of the claimed design.
 FIG. 5 is a bottom view of the claimed design.
 FIG. 6 is a perspective view of the claimed design; and,
 FIG. 7 is a perspective view of the claimed design as appears on a pot, lid and handle.
 The broken lines appearing in FIG. 7 of a pot, lid and handle is environmental matter forming no part of claimed design.

1 Claim, 3 Drawing Sheets



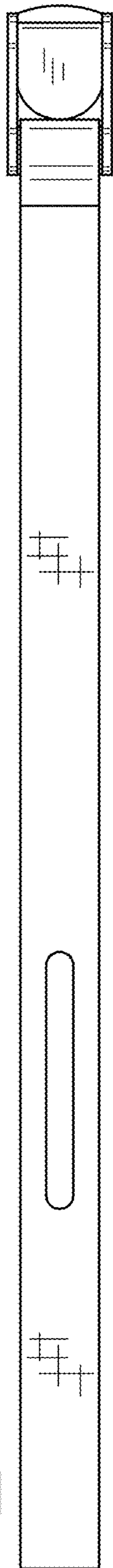


FIG. 1



FIG. 2



FIG. 3



FIG. 4

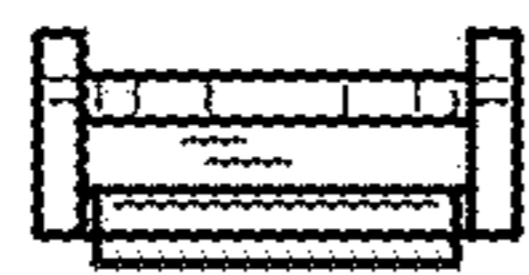


FIG. 5

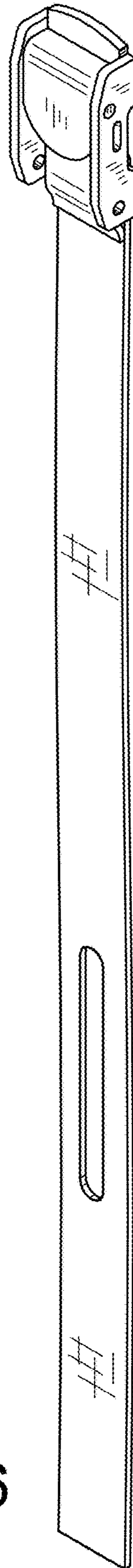


FIG. 6

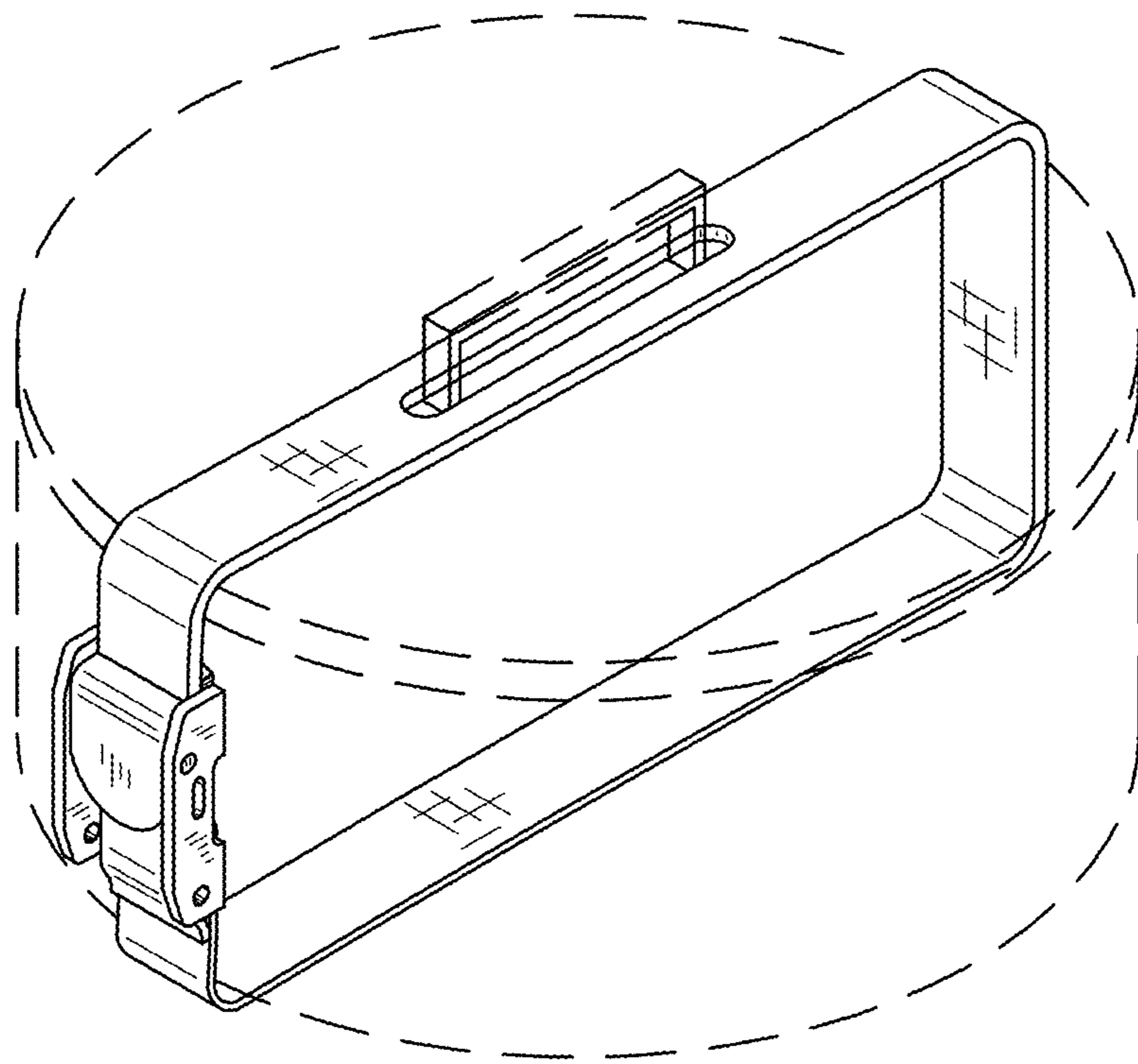


FIG. 7