



US00D788539S

(12) **United States Design Patent**
Gebhardt et al.

(10) **Patent No.:** **US D788,539 S**

(45) **Date of Patent:** **** Jun. 6, 2017**

- (54) **BOWL**
- (71) Applicant: **Oneida Ltd.**, Lancaster, OH (US)
- (72) Inventors: **Paul E. Gebhardt**, Oneida, NY (US);
Garet R. Miller, Chillicothe, OH (US)
- (73) Assignee: **Oneida Ltd.**, Lancaster, OH (US)
- (**) Term: **15 Years**
- (21) Appl. No.: **29/559,970**
- (22) Filed: **Apr. 1, 2016**
- (51) **LOC (10) Cl.** **07-01**
- (52) **U.S. Cl.**
USPC **D7/587**
- (58) **Field of Classification Search**
USPC D7/584, 500, 570, 566, 565, 557, 552.2,
D7/503, 538, 543, 553.6, 509, 510, 523,
D7/587; D3/306; 217/122; 147/18;
220/23.83, 574.1, 574
CPC A47G 19/02; A47G 19/025
See application file for complete search history.

- 8,146,766 B2 * 4/2012 Vovan B65D 43/021
220/212
- D667,151 S * 9/2012 Arslanian D26/9
- D670,136 S * 11/2012 Williams D7/584
- D676,704 S * 2/2013 Henry D7/354
- 8,365,912 B2 * 2/2013 Carroscia B65D 85/04
206/389
- D694,571 S * 12/2013 Norland D7/354
- D706,073 S * 6/2014 Beauregard D7/354
- D718,981 S * 12/2014 Katterheinrich D7/550.1
- D722,526 S * 2/2015 Forester D11/155
- 8,997,992 B2 * 4/2015 Van Puijenbroek B65D 1/22
206/223
- D733,279 S * 6/2015 Furner D23/366
- D749,910 S * 2/2016 Klag D7/560
- 9,277,836 B2 * 3/2016 Dalton A47J 37/10
- 2010/0221144 A1 * 9/2010 Bedson A61L 9/12
422/4
- 2011/0203175 A1 * 8/2011 Horito A01C 5/02
47/65.6

* cited by examiner

Primary Examiner — Cynthia Underwood
(74) *Attorney, Agent, or Firm* — Frost Brown Todd LLC

(57) **CLAIM**

The ornamental design for a bowl, as shown and described.

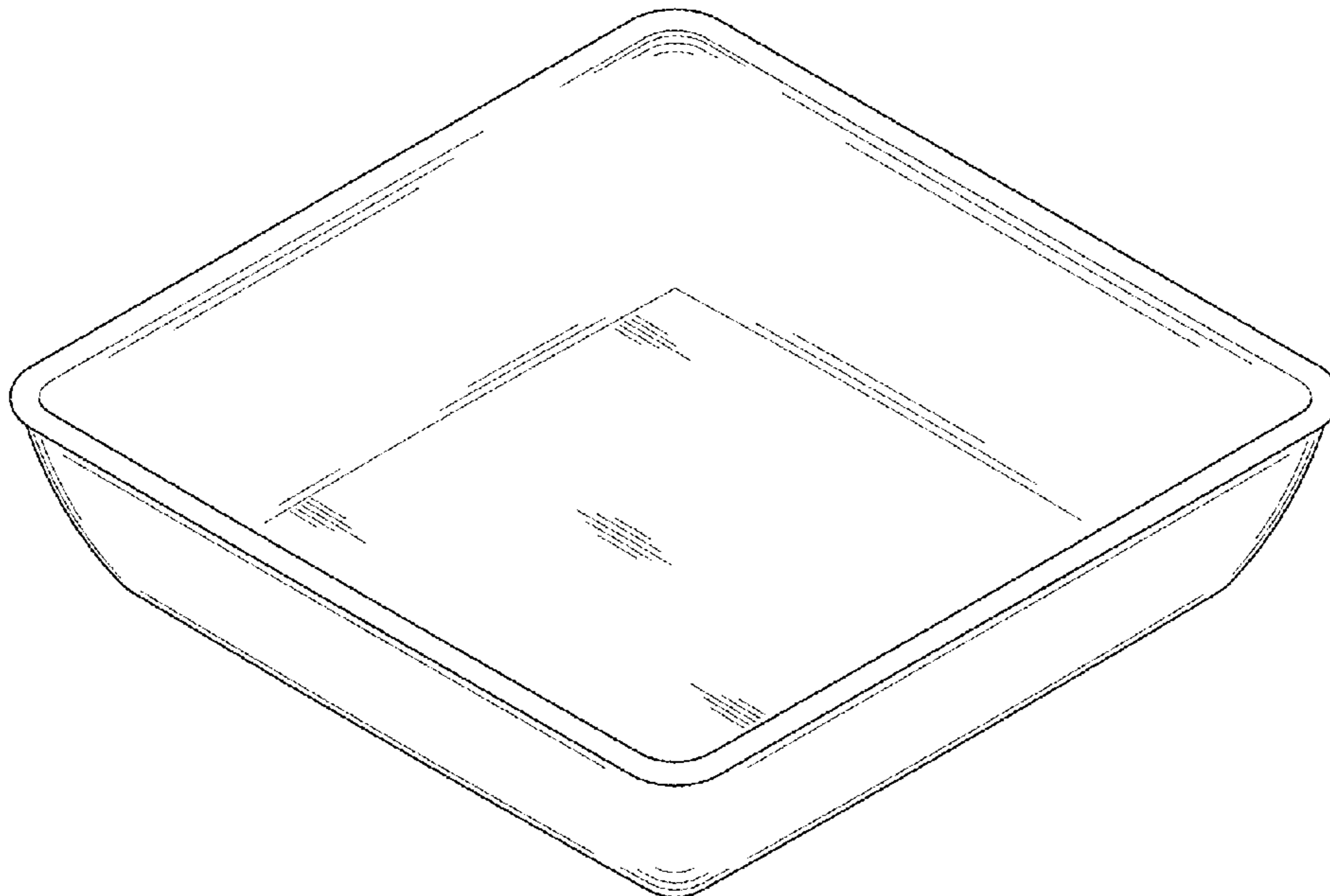
DESCRIPTION

FIG. 1 is a top perspective view of our new ornamental design for a bowl.
FIG. 2 is a bottom perspective view thereof.
FIG. 3 is a front elevation view thereof, the rear, left, and right elevation views being mirror images.
FIG. 4 is a top view thereof; and,
FIG. 5 is a bottom view thereof.

1 Claim, 4 Drawing Sheets

(56) **References Cited**
U.S. PATENT DOCUMENTS

- D358,965 S * 6/1995 Meier D7/554.3
- D542,098 S * 5/2007 Wasserman D7/584
- D573,411 S * 7/2008 Lovett D7/554.3
- D575,586 S * 8/2008 Schosser D7/570
- D578,352 S * 10/2008 Hauser D7/552.2
- D608,595 S * 1/2010 Haas D7/587
- D651,037 S * 12/2011 Moodie D7/354
- D652,661 S * 1/2012 Lipfert D6/556
- D653,496 S * 2/2012 Henry D7/354
- D657,992 S * 4/2012 Moodie D7/354



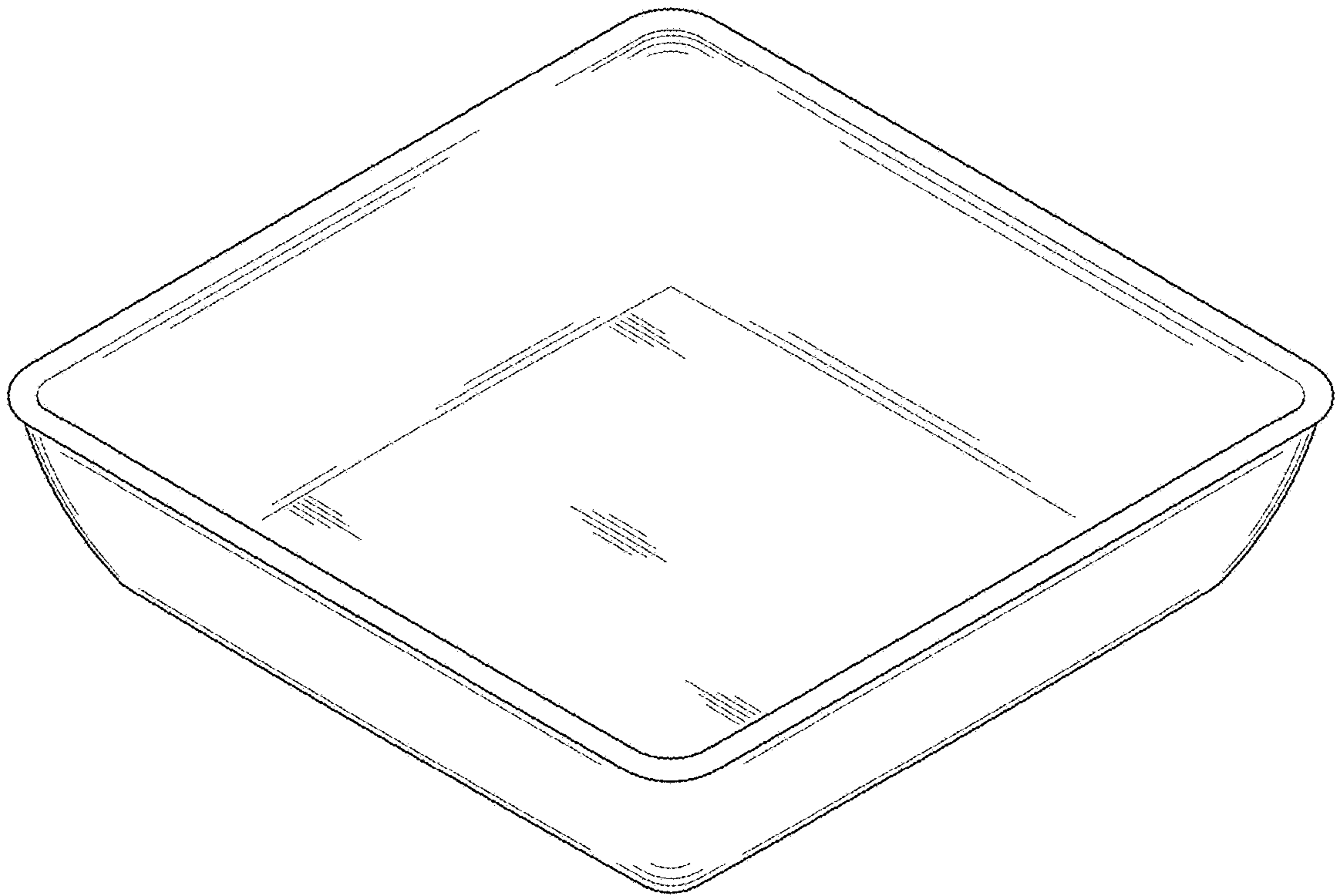


FIG. 1

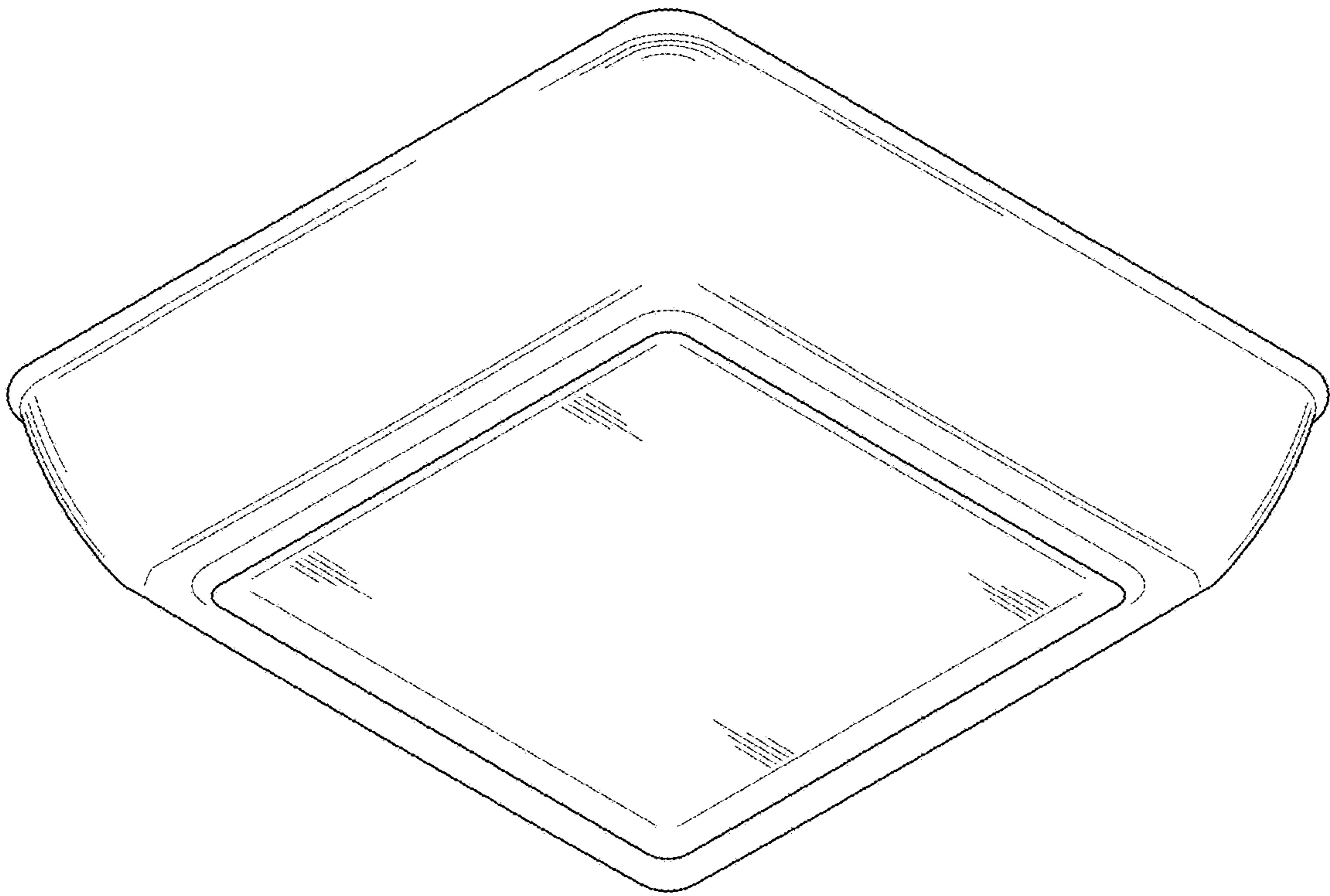


FIG. 2

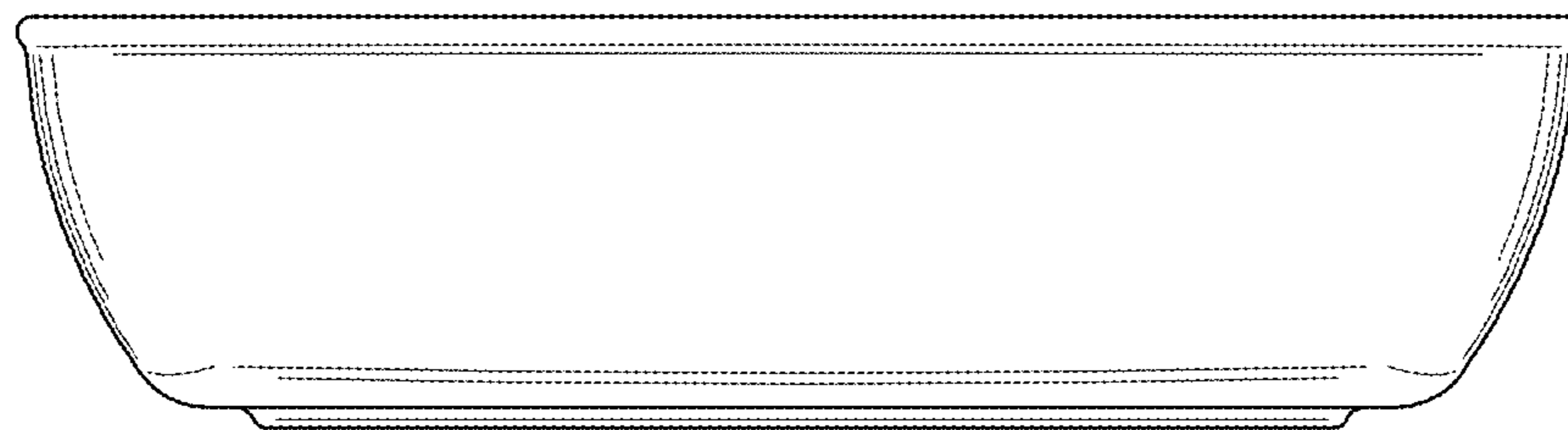


FIG. 3

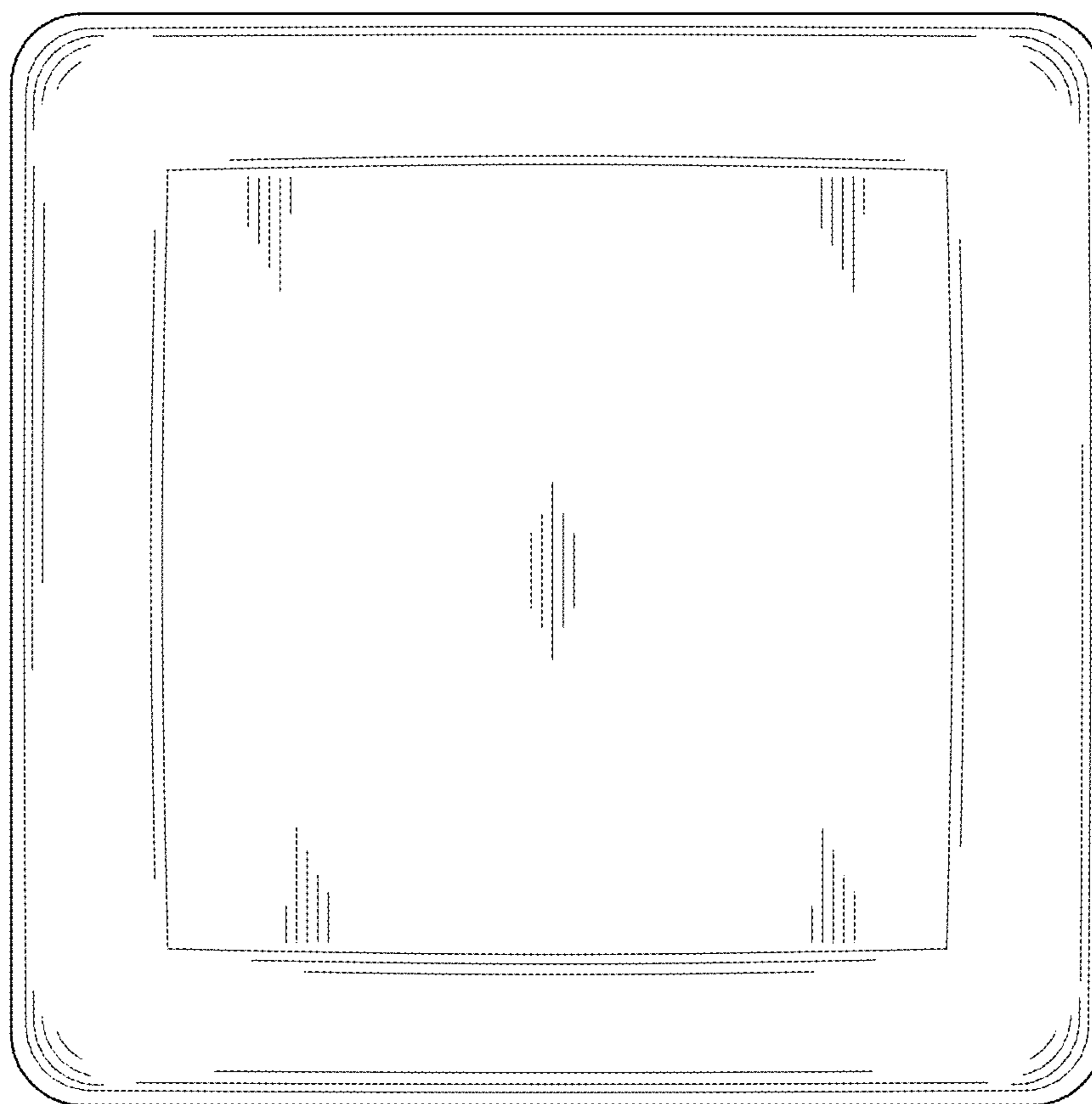


FIG. 4

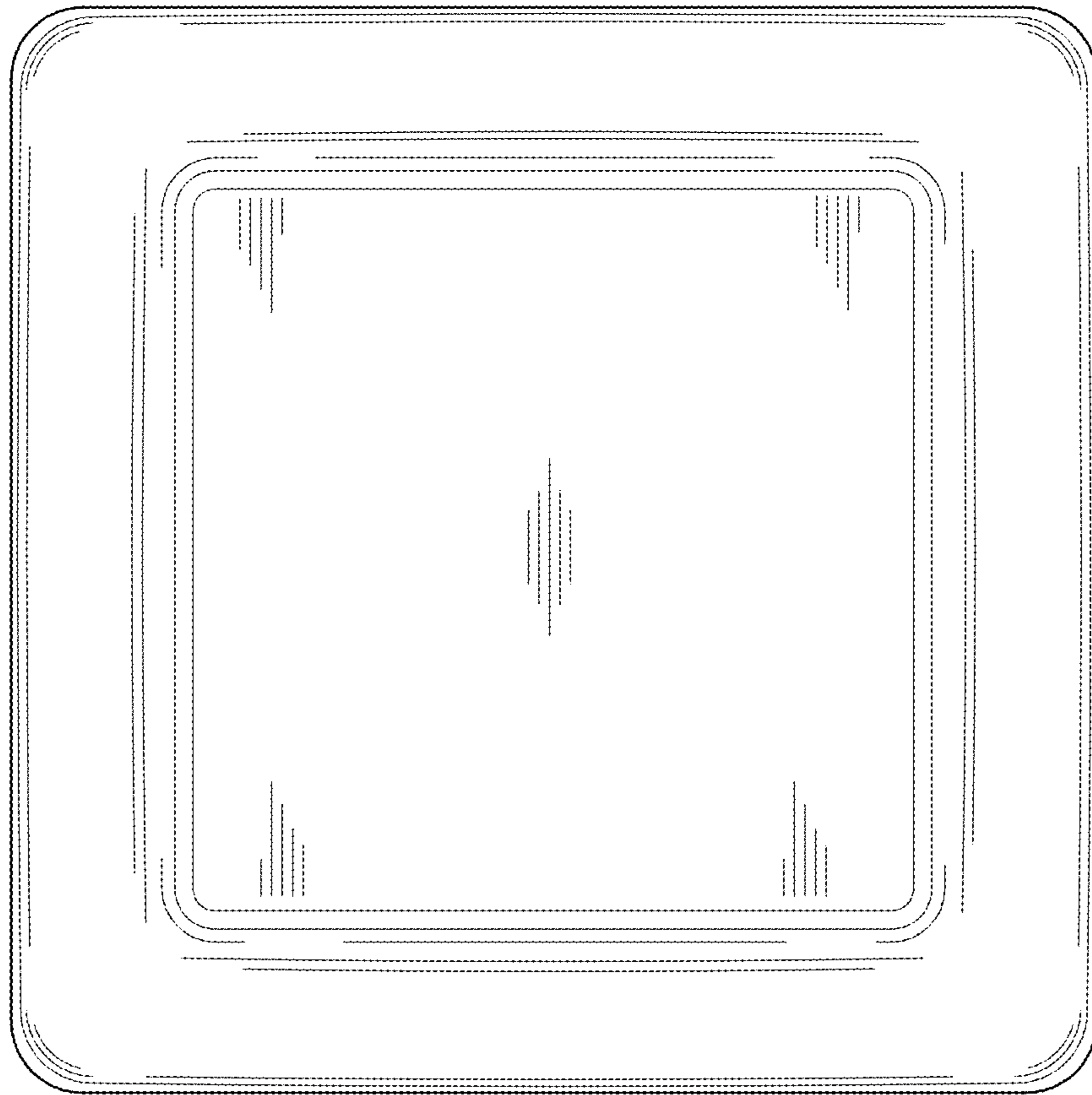


FIG. 5