



US00D788538S

(12) **United States Design Patent** (10) **Patent No.:** **US D788,538 S**
Vukkisila (45) **Date of Patent:** **** Jun. 6, 2017**

(54) **PRESSED PALM LEAF DISH**
(71) Applicant: **Suresh Vukkisila**, Folsom, CA (US)
(72) Inventor: **Suresh Vukkisila**, Folsom, CA (US)
(**) Term: **15 Years**
(21) Appl. No.: **29/553,755**
(22) Filed: **Feb. 4, 2016**
(51) **LOC (10) Cl.** **07-01**
(52) **U.S. Cl.**
USPC **D7/587**
(58) **Field of Classification Search**
USPC D7/584, 500, 570, 566, 565, 557, 552.2,
D7/503, 538, 543, 553.6, 509, 510, 523,
D7/587; D3/306; 217/122; 147/18;
220/23.83, 574.1, 574
CPC A47G 19/02; A47G 19/025
See application file for complete search history.

Primary Examiner — Cynthia Underwood
(74) *Attorney, Agent, or Firm* — Heisler & Associates

(57) **CLAIM**

The ornamental design for a pressed palm leaf dish, as shown and described.

DESCRIPTION

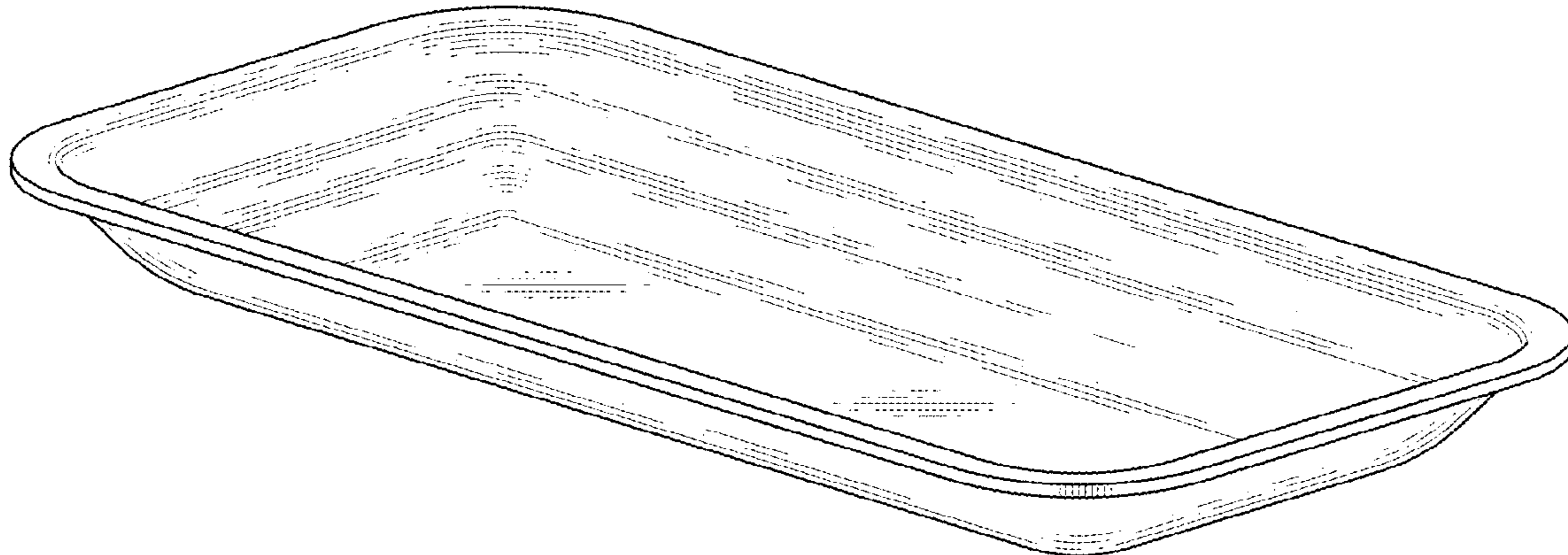
FIG. 1 is a perspective view of the pressed palm leaf dish, according to a first embodiment;
FIG. 2 is a top plan view of the first embodiment of the invention;
FIG. 3 is a front elevation view of the first embodiment of the invention, the rear elevation view being a mirror image;
FIG. 4 is a bottom plan view of the first embodiment of the invention;
FIG. 5 is a right side view of the first embodiment of the invention, the left side view being a mirror image;
FIG. 6 is a perspective view of the first embodiment of the invention in use with a cover thereon;
FIG. 7 is a perspective view of the pressed palm leaf dish, according to a second embodiment;
FIG. 8 is a top plan view of the second embodiment of the invention;
FIG. 9 is a front elevation view of the second embodiment of the invention, the rear elevation view being a mirror image;
FIG. 10 is a bottom plan view of the second embodiment of the invention;
FIG. 11 is a right side view of the second embodiment of the invention, the left side view being a mirror image; and,
FIG. 12 is a perspective view of the second embodiment of the invention in use with a cover thereon.
The broken lines in the drawings represent unclaimed environmental subject matter and form no part of the claim.

(56) **References Cited**
U.S. PATENT DOCUMENTS

D358,965 S * 6/1995 Meier D7/554.3
D542,098 S * 5/2007 Wasserman D7/584
D573,411 S * 7/2008 Lovett D7/554.3
D575,586 S * 8/2008 Schosser D7/570
D578,352 S * 10/2008 Hauser D7/552.2
D608,595 S * 1/2010 Haas D7/587
D651,037 S * 12/2011 Moodie D7/354
D652,661 S * 1/2012 Lipfert D6/556
D653,496 S * 2/2012 Henry D7/354
D657,992 S * 4/2012 Moodie D7/354
8,146,766 B2 * 4/2012 Vovan B65D 43/021
220/212
D667,151 S * 9/2012 Arslanian D26/9
D670,136 S * 11/2012 Williams D7/584
D676,704 S * 2/2013 Henry D7/354
8,365,912 B2 * 2/2013 Carroscia B65D 85/04
206/389
D694,571 S * 12/2013 Norland D7/354
D706,073 S * 6/2014 Beauregard D7/354

(Continued)

1 Claim, 4 Drawing Sheets



(56)

References Cited

U.S. PATENT DOCUMENTS

D718,981 S * 12/2014 Katterheinrich D7/550.1
D722,526 S * 2/2015 Forester D11/155
8,997,992 B2 * 4/2015 Van Puijenbroek B65D 1/22
206/223
D733,279 S * 6/2015 Furner D23/366
D749,910 S * 2/2016 Klag D7/560
9,277,836 B2 * 3/2016 Dalton A47J 37/10
2010/0221144 A1 * 9/2010 Bedson A61L 9/12
422/4
2011/0203175 A1 * 8/2011 Horito A01C 5/02
47/65.6

* cited by examiner

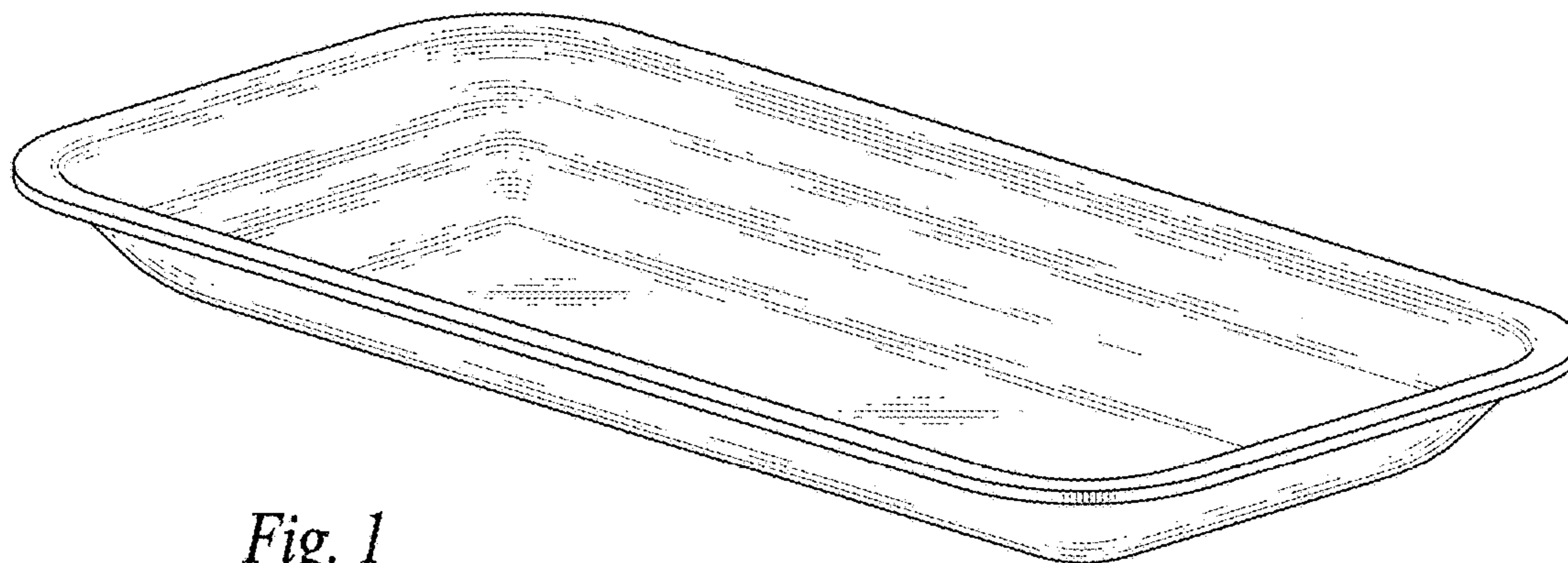


Fig. 1

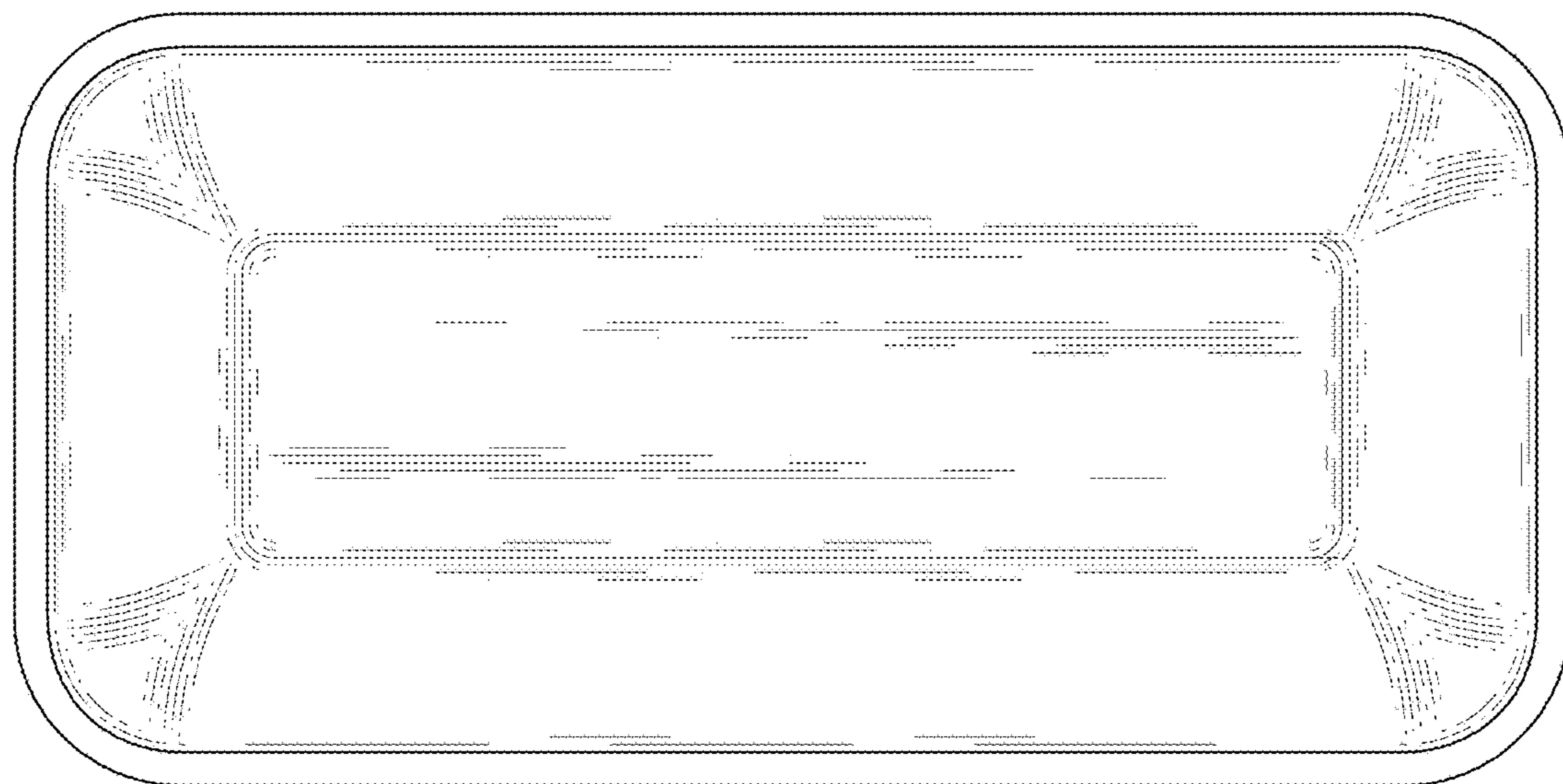


Fig. 2

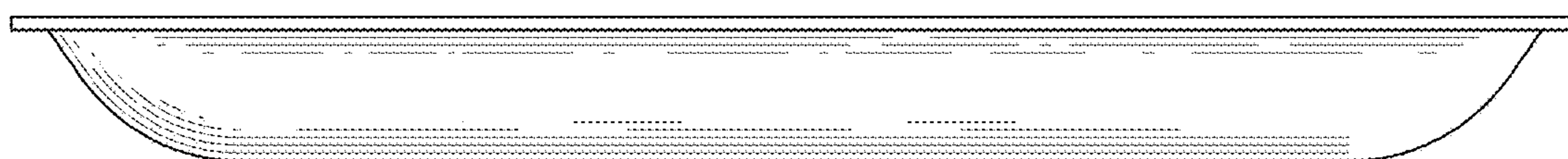


Fig. 3



Fig. 4

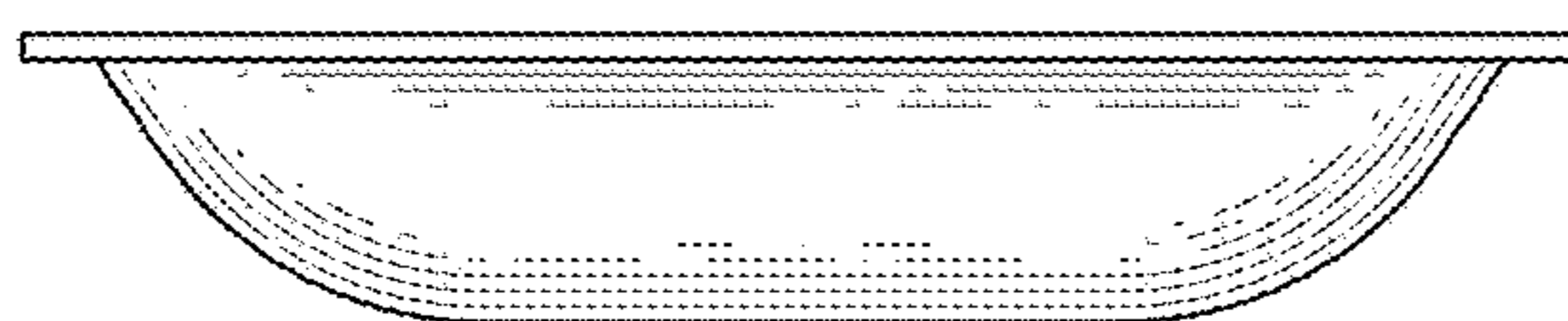


Fig. 5

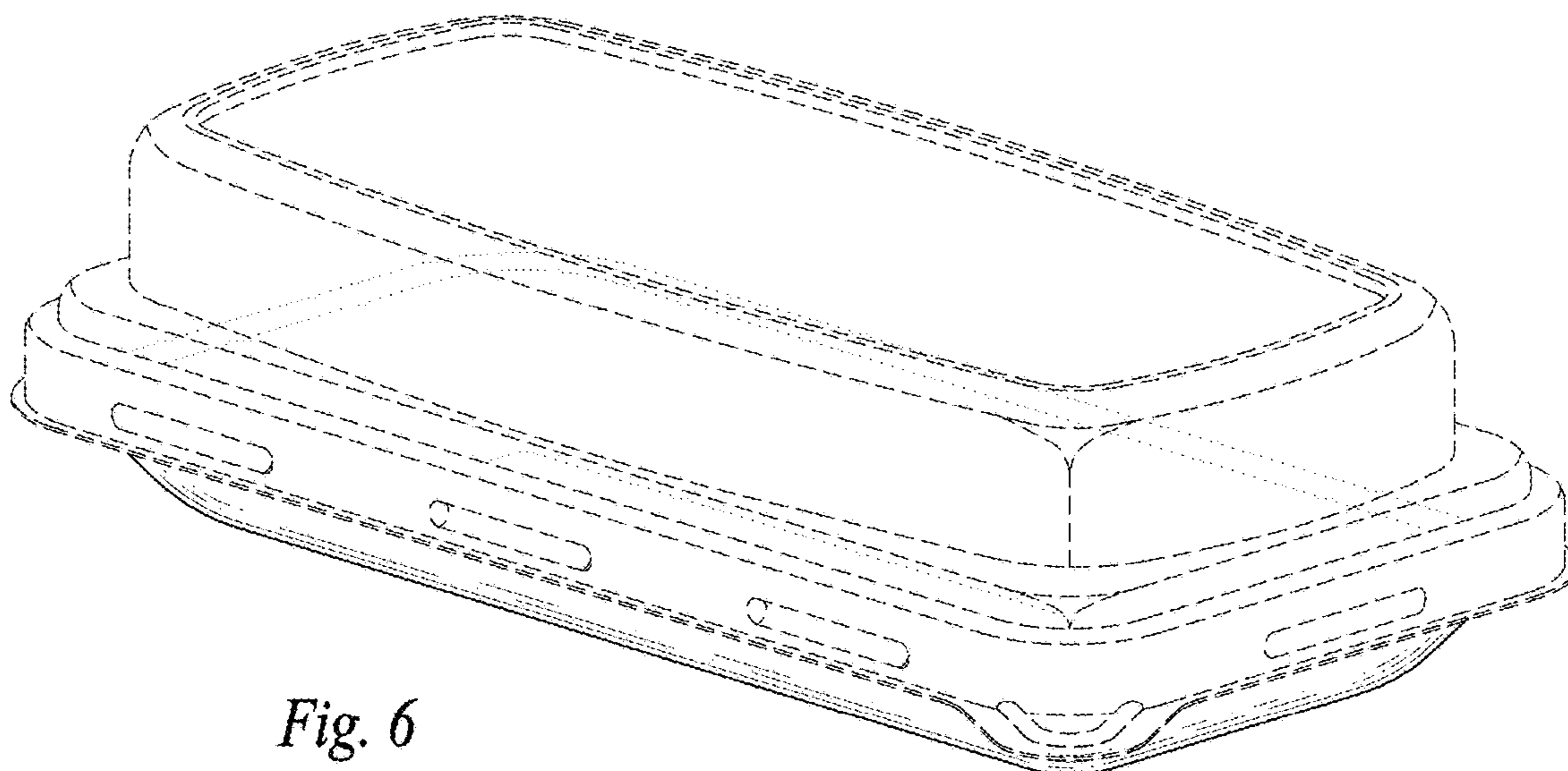


Fig. 6

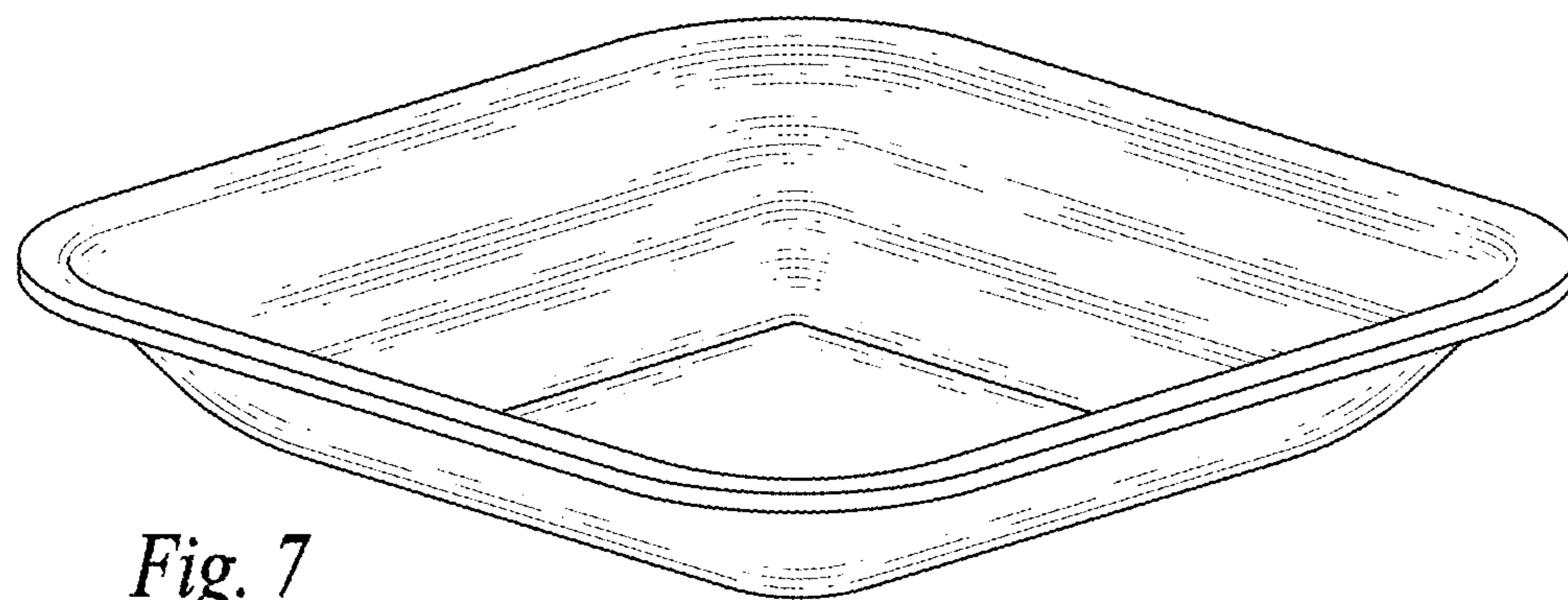


Fig. 7

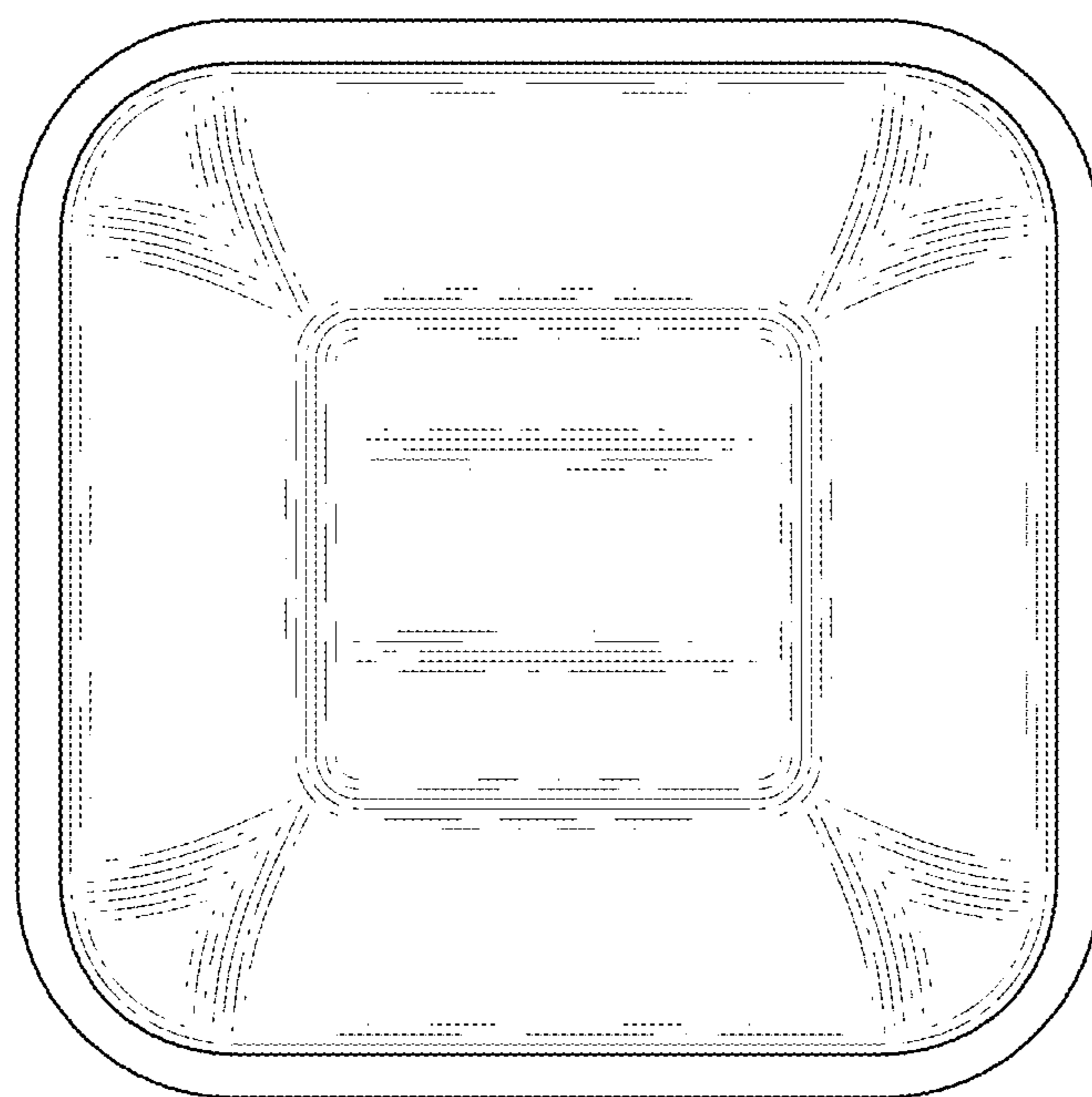


Fig. 8

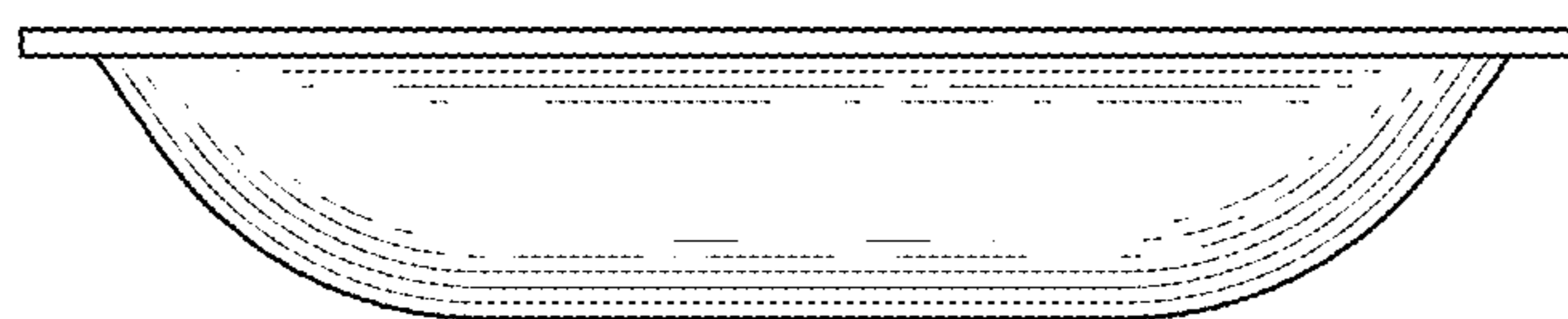


Fig. 9

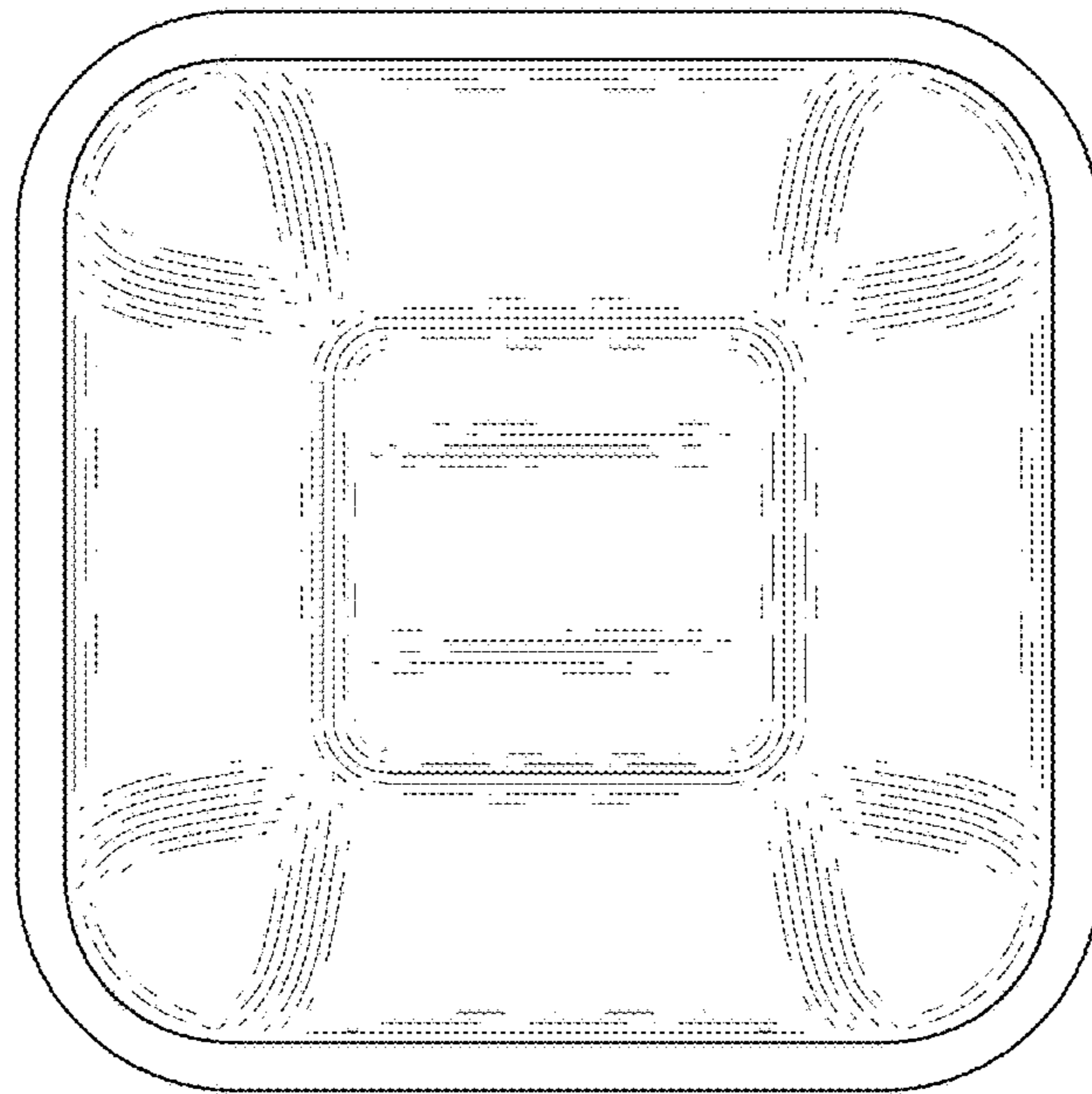


Fig. 10

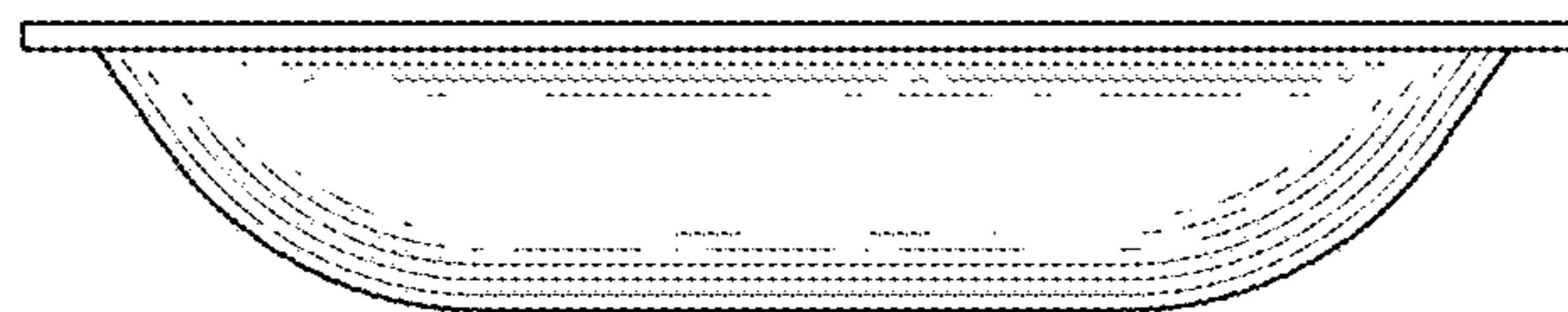


Fig. 11

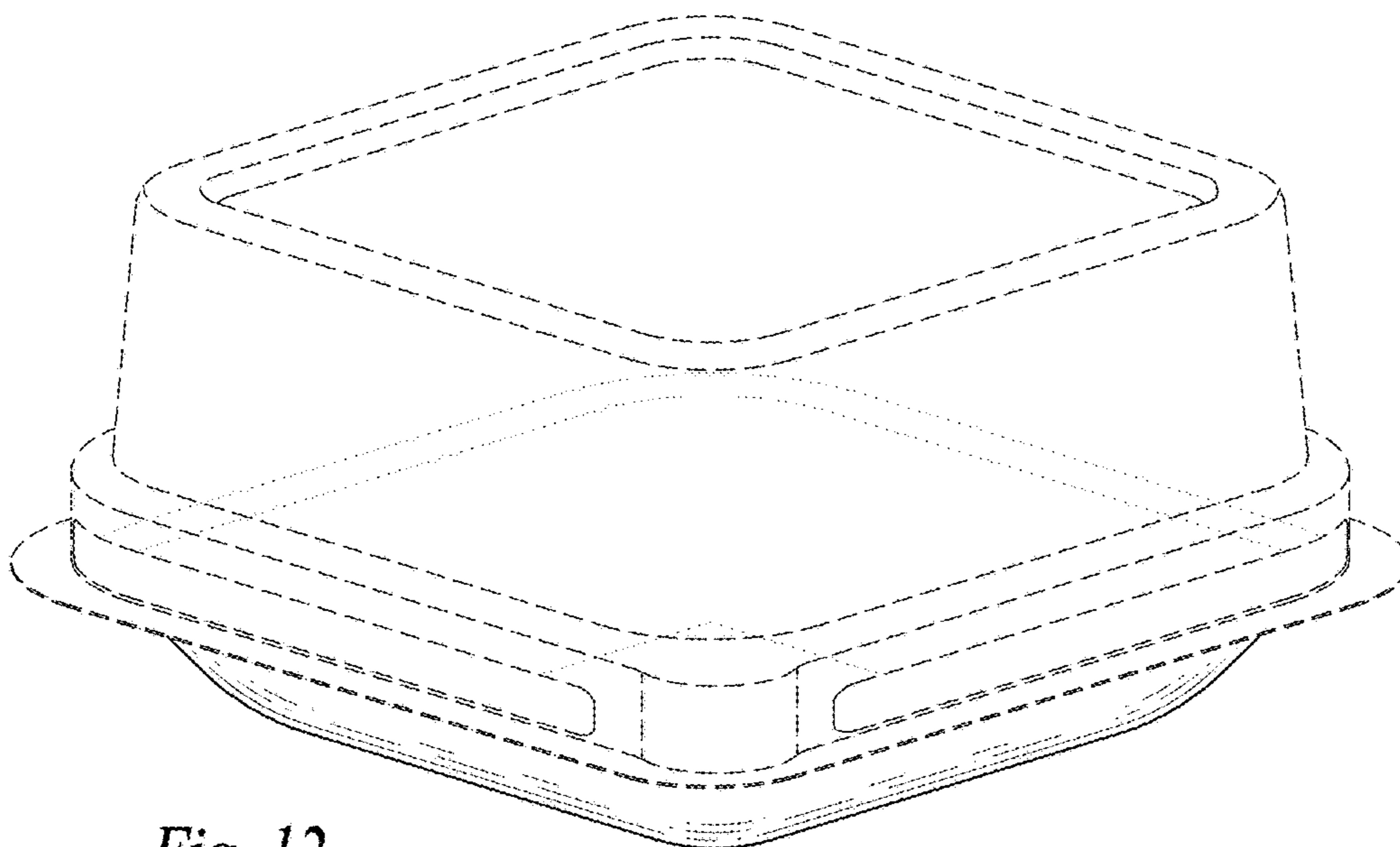


Fig. 12