

US00D788531S

(12) **United States Design Patent**  
**Mann**

(10) **Patent No.:** **US D788,531 S**  
(45) **Date of Patent:** **\*\* Jun. 6, 2017**

- (54) **WINE GLASS**
- (71) Applicant: **Robert W. Mann**, Hollis, NH (US)
- (72) Inventor: **Robert W. Mann**, Hollis, NH (US)
- (\*\*) Term: **14 Years**
- (21) Appl. No.: **29/514,090**
- (22) Filed: **Jan. 8, 2015**
- (51) **LOC (10) Cl.** ..... **07-01**
- (52) **U.S. Cl.**  
USPC ..... **D7/524; D7/528**
- (58) **Field of Classification Search**  
USPC ..... D7/524-528, 537, 507, 503, 522, 509;  
215/382; 220/703, 704, 592.16, 592.17;  
229/128; 362/101  
CPC ..... A47G 19/2205; A47G 19/28; A47G  
19/2255; A47G 19/2288  
See application file for complete search history.

- D577,547 S \* 9/2008 Willat ..... D7/509
- 7,543,717 B2 6/2009 Hinkle
- D604,560 S 11/2009 Priest
- D626,841 S \* 11/2010 Russo ..... D7/537
- 7,845,512 B2 \* 12/2010 Skala ..... A47G 19/2205  
220/501
- 7,975,872 B2 7/2011 Lardino
- 8,101,222 B2 1/2012 Burroughs et al.
- D660,078 S \* 5/2012 Kehoe ..... D7/213
- D701,729 S \* 4/2014 Kehoe ..... D7/509
- D701,731 S \* 4/2014 McClellan ..... D7/524
- D724,899 S \* 3/2015 Feller ..... D7/509
- 2006/0032855 A1 2/2006 Hinkle

(Continued)

FOREIGN PATENT DOCUMENTS

- EP 1994862 A1 11/2008
- WO 2005094639 A1 10/2005

*Primary Examiner* — Marianne Pandozzi

*Assistant Examiner* — Jae Liang

(74) *Attorney, Agent, or Firm* — Adler Pollock & Sheehan P.C.; Daniel J. Holmader, Esq.; George N. Chaclas, Esq.

(56) **References Cited**

U.S. PATENT DOCUMENTS

- 392,145 A \* 10/1888 Buckland ..... A47G 19/2205  
215/374
- D52,622 S \* 11/1918 Balda ..... D7/524
- D161,115 S \* 12/1950 Meier ..... D7/524
- 3,028,035 A \* 4/1962 Leong ..... A47G 19/2227  
215/377
- D196,446 S \* 10/1963 Curtis ..... D7/524
- D211,038 S \* 5/1968 Wentzel ..... D7/524
- D230,552 S \* 3/1974 Bengert ..... 215/374
- D291,620 S \* 9/1987 Porchia ..... D1/105
- D304,514 S \* 11/1989 Vezirian ..... D7/503
- D343,990 S 2/1994 Maraan, II
- D363,854 S \* 11/1995 Katz ..... D10/46.2
- D405,316 S 2/1999 Spike
- 6,409,374 B1 6/2002 Willat
- 6,644,846 B2 11/2003 Willat
- D485,124 S \* 1/2004 McMullin ..... D7/525
- D514,387 S \* 2/2006 Rockwell, Jr. .... D7/507
- D539,091 S \* 3/2007 Mansfield ..... D7/509

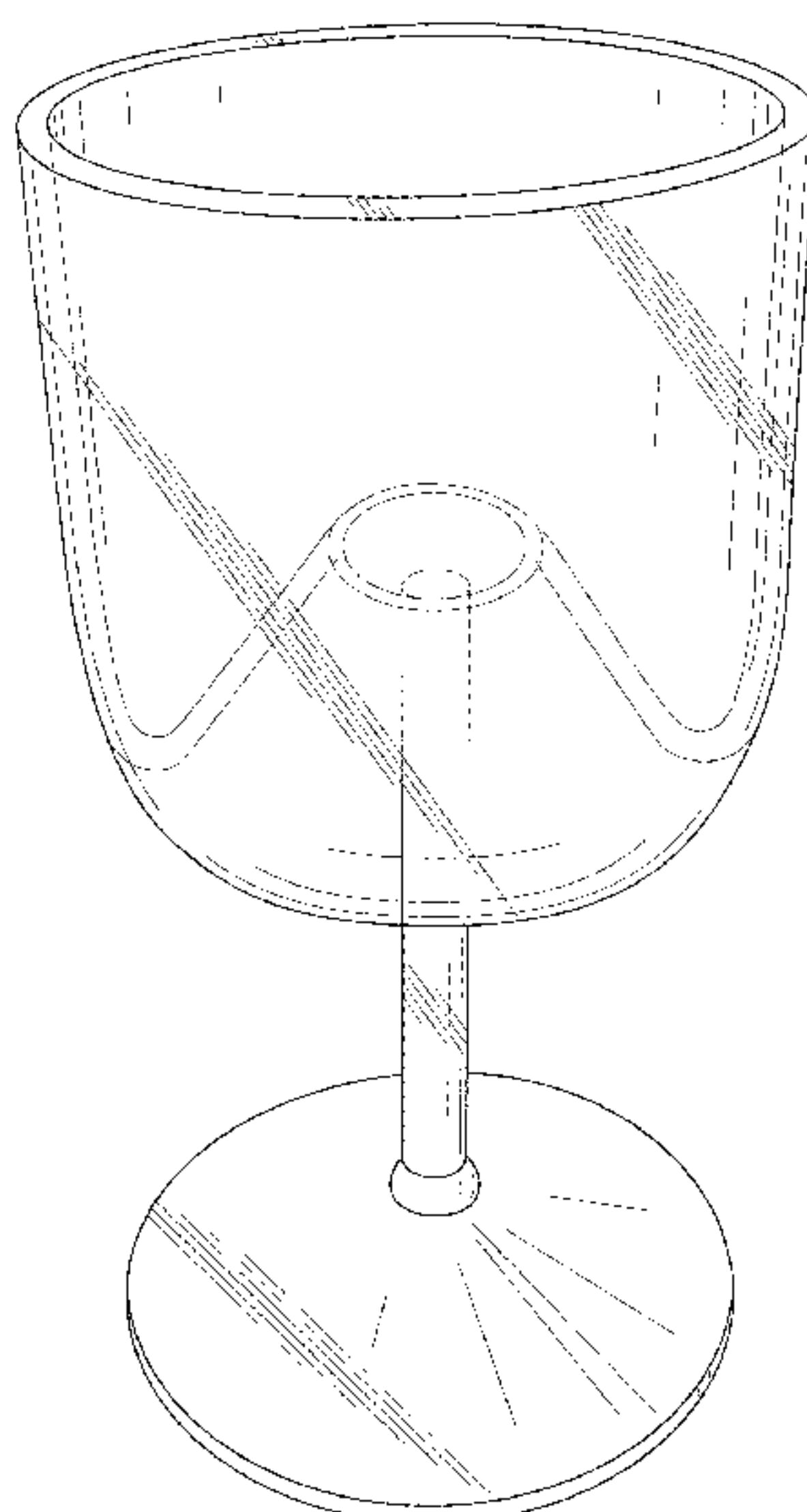
(57) **CLAIM**

The ornamental design for a wine glass, as shown and described.

**DESCRIPTION**

FIG. 1 is a top perspective view of a wine glass showing my new design;  
 FIG. 2 is a bottom perspective view thereof;  
 FIG. 3 is a front view thereof, the front view being the same as the rear view, the left view, and the right view;  
 FIG. 4 is a top view thereof; and,  
 FIG. 5 is a bottom view thereof.  
 All of the surfaces of the wine glass shown in the Figures are transparent. The oblique lines in the Figures show transparency and not surface ornamentation.

**1 Claim, 5 Drawing Sheets**



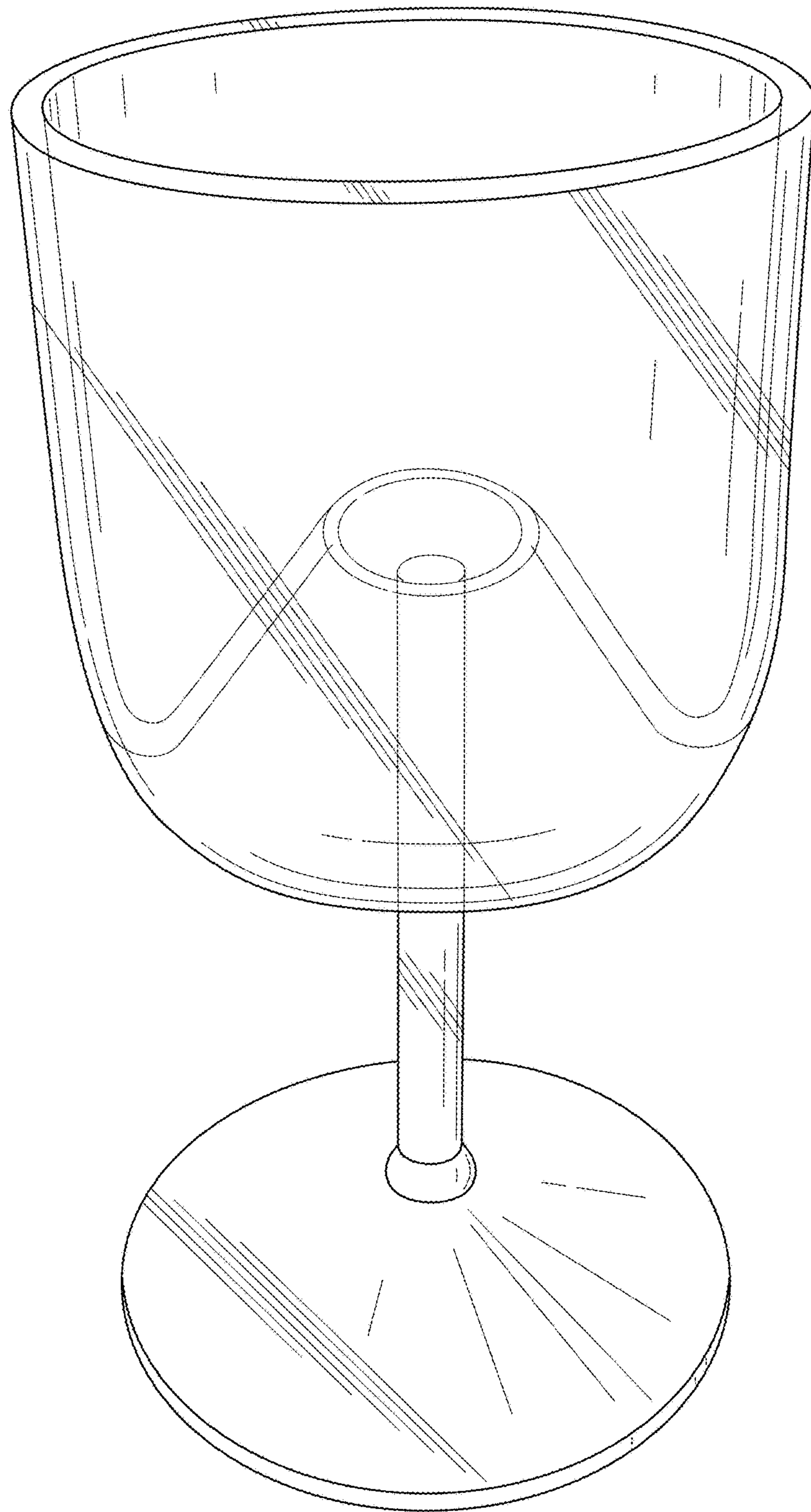
(56)

**References Cited**

U.S. PATENT DOCUMENTS

2007/0119726 A1\* 5/2007 Willat ..... A47G 19/2205  
206/217  
2008/0290102 A1 11/2008 Mangano  
2011/0005401 A1 1/2011 Burroughs et al.  
2011/0114654 A1\* 5/2011 Stern ..... A47G 19/2205  
220/703  
2012/0223089 A1\* 9/2012 Moore ..... A47G 19/2288  
220/703  
2014/0021211 A1\* 1/2014 Stern ..... A47G 19/2205  
220/719

\* cited by examiner



**FIG. 1**

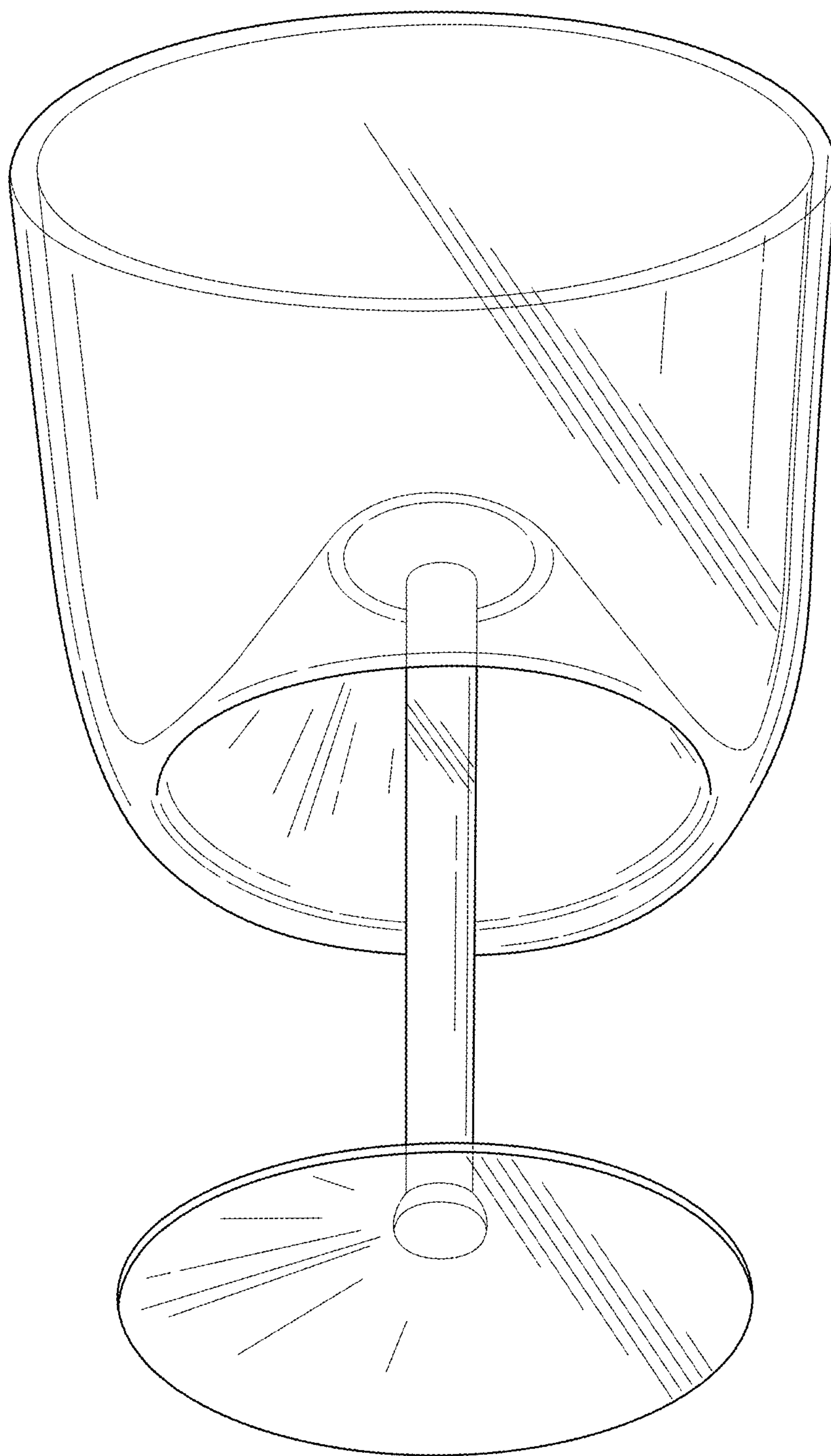


FIG. 2



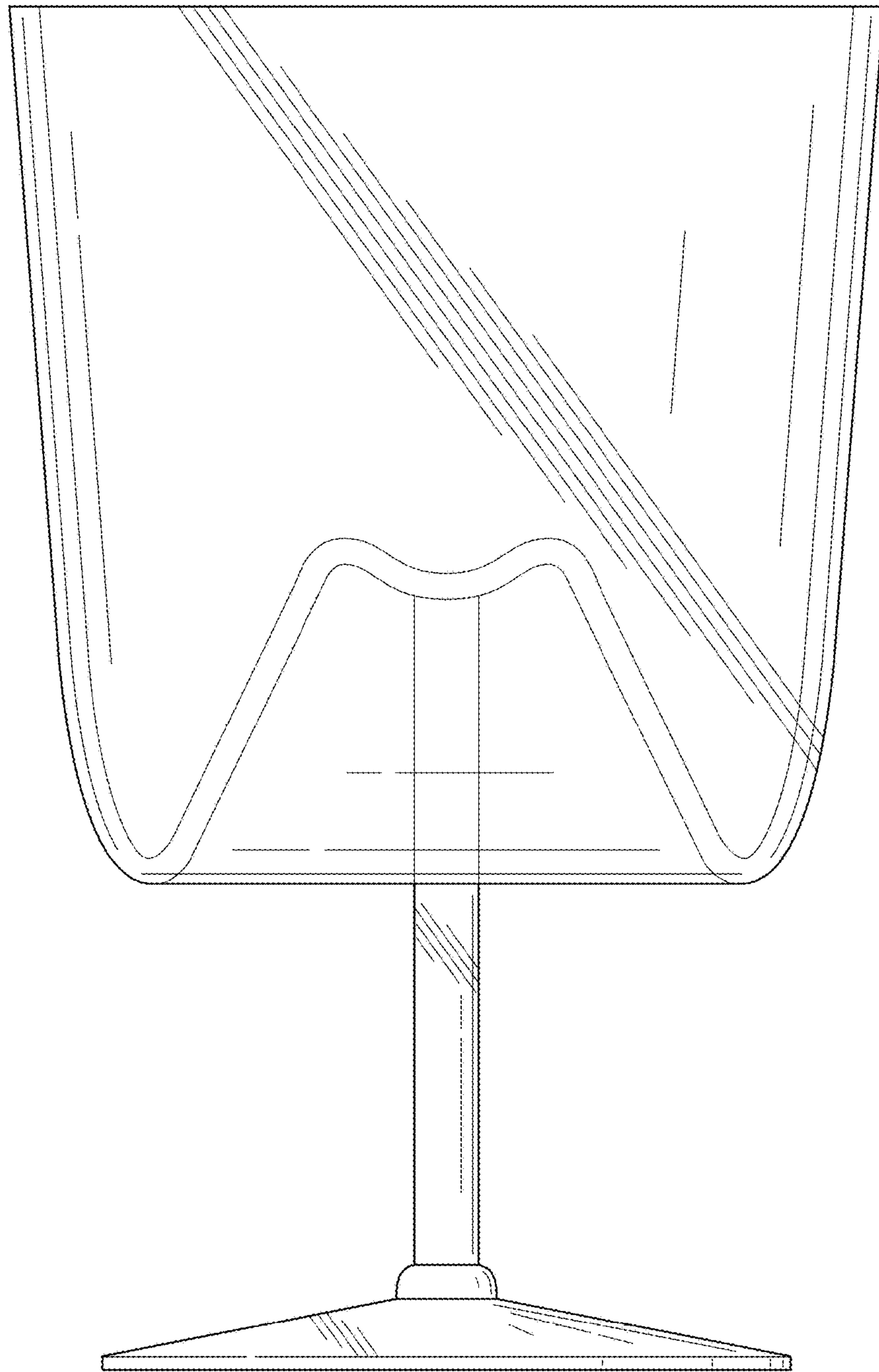
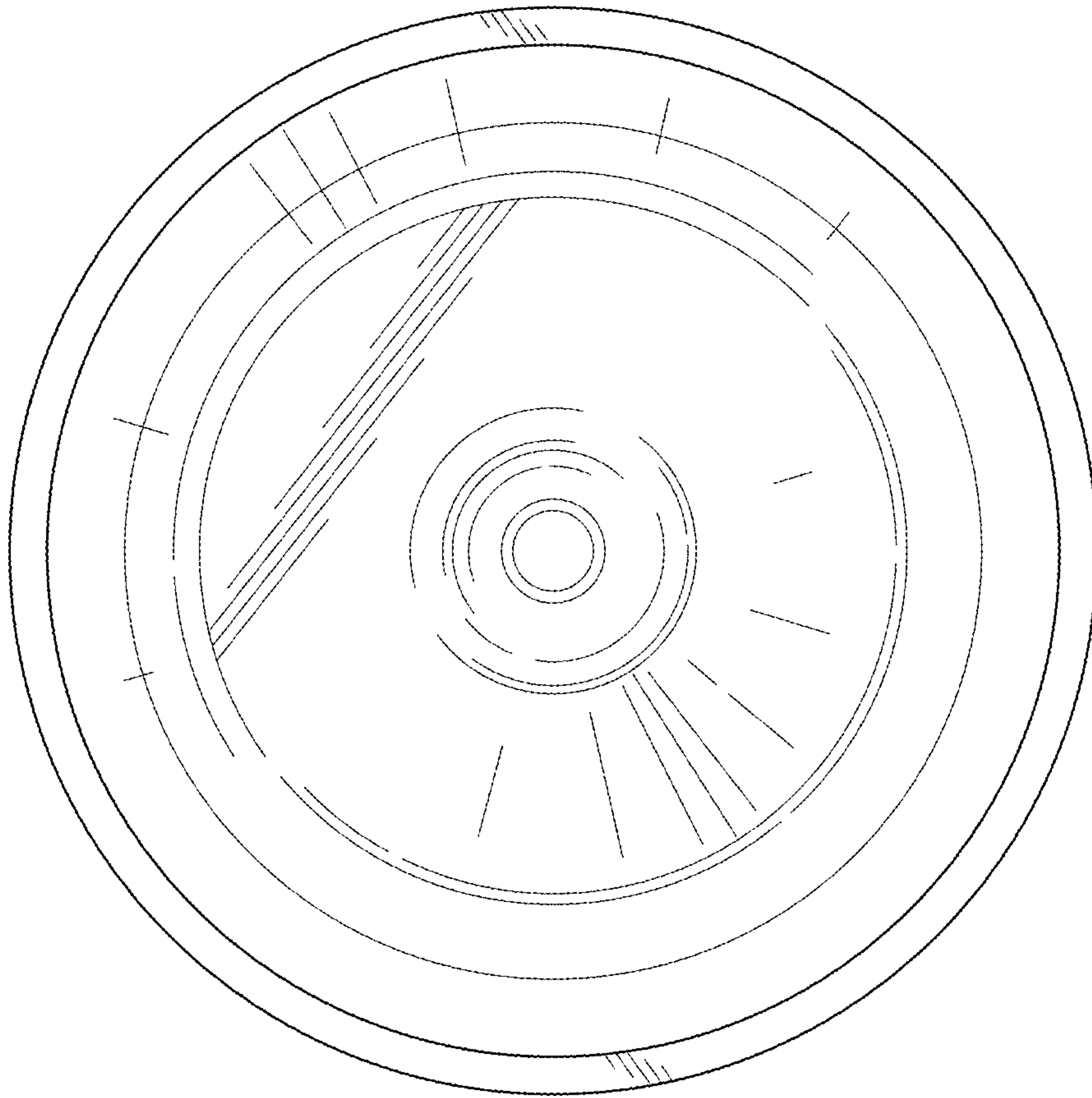
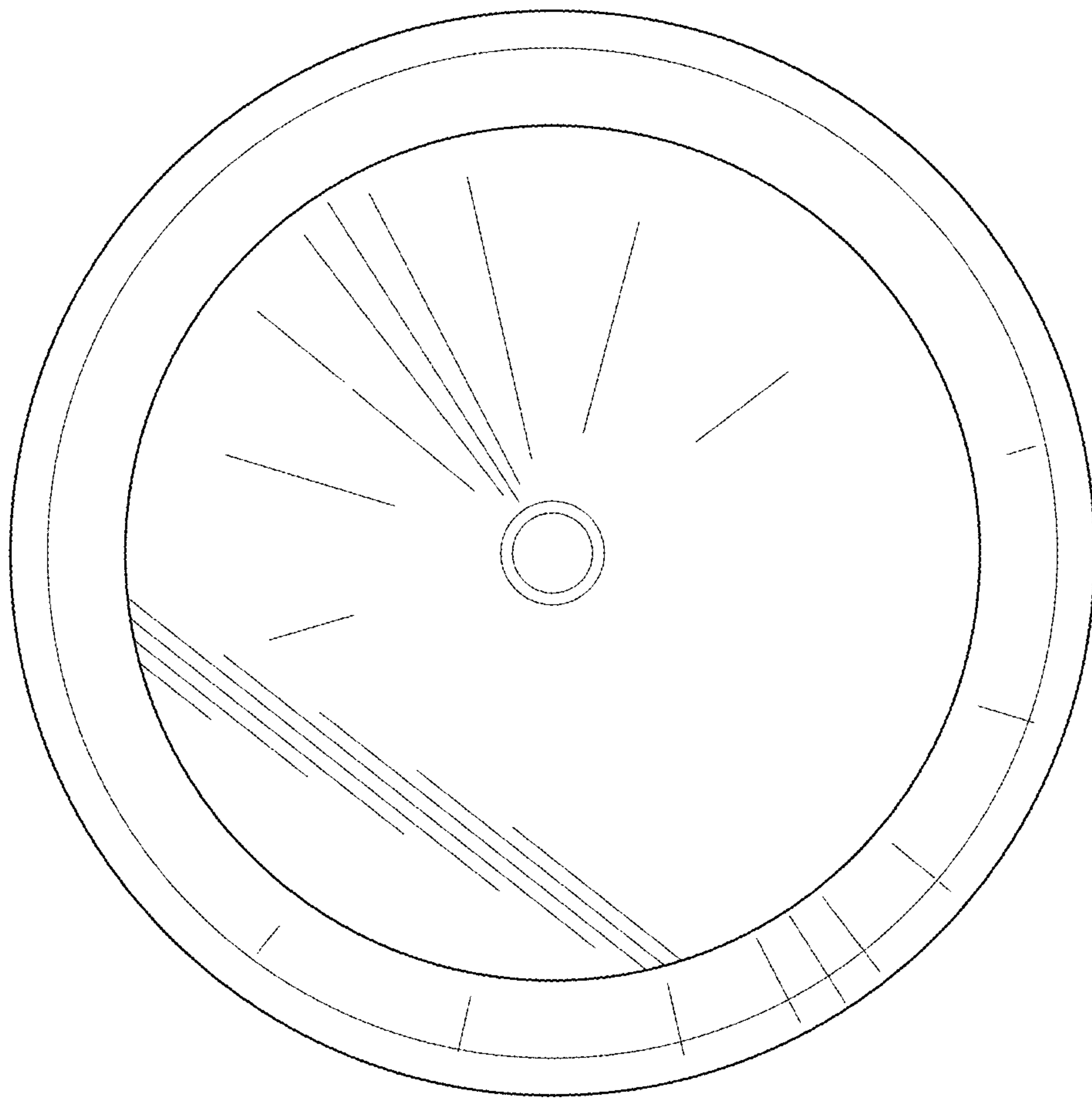


FIG. 3



**FIG. 4**



**FIG. 5**