



US00D788530S

(12) **United States Design Patent** (10) **Patent No.:** **US D788,530 S**
Kestenbaum et al. (45) **Date of Patent:** **** Jun. 6, 2017**

(54) **BEVERAGE CONTAINER**
(71) Applicant: **SharkNinja Operating LLC**, Newton, MA (US)
(72) Inventors: **Daniel Kestenbaum**, Aburndale, MA (US); **Devin Coakley**, Brookline, MA (US)
(73) Assignee: **SHARKNINJA OPERATING, LLC**, Newton, MA (US)

D548,534 S * 8/2007 Sullivan D7/509
D570,158 S * 6/2008 Massi D7/509
D581,739 S * 12/2008 Bodum D7/509
D590,662 S * 4/2009 Cheng D7/509
(Continued)

(**) Term: **15 Years**
(21) Appl. No.: **29/532,028**
(22) Filed: **Jul. 1, 2015**
(51) **LOC (10) Cl.** **07-01**
(52) **U.S. Cl.**
USPC **D7/523**; D7/532; D7/509
(58) **Field of Classification Search**
USPC D7/507, 509, 510, 511, 512, 523, 527, D7/528, 532, 591, 608, 612, 500, 629, D7/630; D9/549, 559, 546, 541, 519, D9/558, 500; D11/146, 140, 144, 153; 220/592.16, 592.17, 592.2, 62.12, 703, 220/669, 608; D8/17, 18, 19, 33, 34, 35, D8/36; D10/46.2
CPC A47G 19/22; A47G 19/2227; A47G 19/02; B65D 1/265
See application file for complete search history.

FOREIGN PATENT DOCUMENTS

KR 300825012 S 11/2015

OTHER PUBLICATIONS

Amazon.Com, Inc.; "Trudeau Tea Mendous Tea Tumbler, Black, 16-Ounce: Amazon.com: Kitchen"; JPO Publicly Known Design No. HJ24053267; Date Publicly Known: Dec. 3, 2012; JPO Collection Date: Dec. 7, 2012; URL Accessed: http://www.amazon.com/Trudeau-Mendous-Tumbler-Black-16-Ounce/dp/B003LJX0MW/ref=sr_1_158?s=kitchen&ie=UTF8&clid=1352961416&sr=1-158; 6 Pages.
(Continued)

Primary Examiner — Marianne Pandozzi
Assistant Examiner — Jae Liang
(74) *Attorney, Agent, or Firm* — Cantor Colburn LLP

(57) **CLAIM**

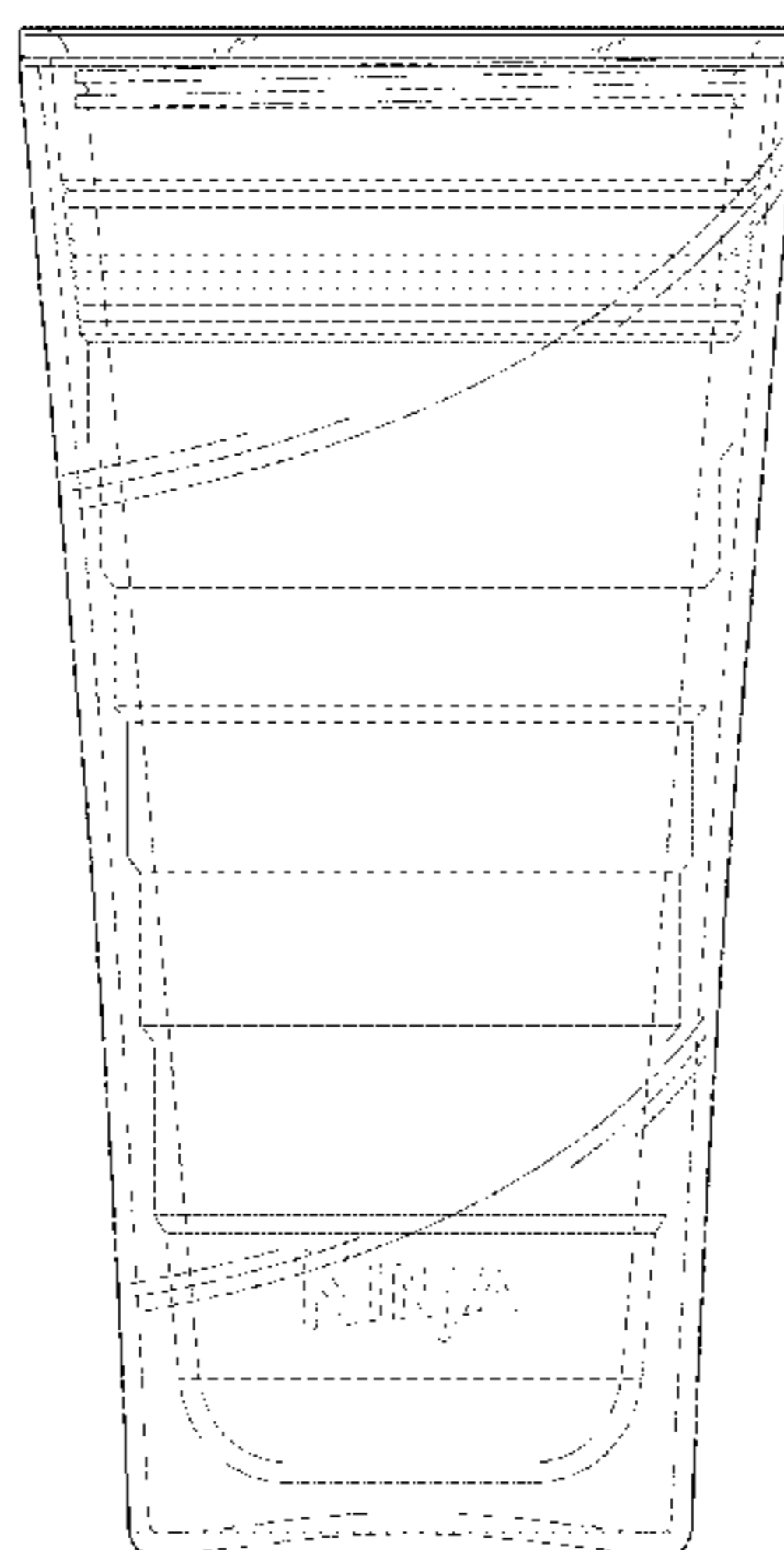
The ornamental design for a beverage container, as shown and described.

DESCRIPTION

FIG. 1 is a perspective view of a beverage container showing our new design;
FIG. 2 is a front elevational view thereof;
FIG. 3 is a rear elevational view thereof;
FIG. 4 is a left side elevational view thereof;
FIG. 5 is a right side elevational view thereof;
FIG. 6 is a bottom plan view thereof; and,
FIG. 7 is a top plan view thereof.
The broken lines in the drawing depict portions of the beverage container that form no part of the claimed design.

1 Claim, 7 Drawing Sheets

(56) **References Cited**
U.S. PATENT DOCUMENTS
D88,252 S * 11/1932 Nash D7/531
D283,596 S * 4/1986 Fortuna D7/510
D283,677 S * 5/1986 Fortuna D7/511
D285,656 S * 9/1986 Champion D7/511
D289,484 S * 4/1987 Forquer D7/532
D329,782 S * 9/1992 Narsutis D7/629
D381,869 S * 8/1997 Jeppesen D7/523
D488,672 S * 4/2004 Oas D7/507
D505,592 S * 5/2005 Liu D7/523



(56)

References Cited

U.S. PATENT DOCUMENTS

D614,448	S	*	4/2010	Cahen	D7/523
D631,294	S	*	1/2011	Ross	D7/507
D664,001	S	*	7/2012	Liu	D7/510
D674,663	S	*	1/2013	Cahen	D7/510
D688,523	S	*	8/2013	Lees	D7/510
D698,200	S	*	1/2014	Lauwagie	D7/509
D698,496	S	*	1/2014	Smith	D28/76
D713,685	S	*	9/2014	Eyal	D7/507
D732,895	S	*	6/2015	McClellan	D7/529
D736,034	S	*	8/2015	Spivey	D7/510
D742,173	S	*	11/2015	Perman	D7/507
D742,177	S	*	11/2015	Morris, II	D7/523
D744,286	S	*	12/2015	Morris, II	D7/523
D751,863	S	*	3/2016	Eyal	D7/507
D754,478	S	*	4/2016	Kushner	D10/44
2003/0076671	A1	*	4/2003	Diak/Ghanem	A47G 19/2227 362/101

OTHER PUBLICATIONS

Application for Registration of an Industrial Design Examiner's Report; Canadian Application No. 165856; Date of Issuance: Feb. 17, 2016; 2 Pages.

JPO Publicly Known Design No. HJ22035800; Publisher: Societe de Produits Nestle S.A.; Title: Maggi; Date of Disclosure: Aug. 30, 2010; URL: <http://www.maggi.de/Rezepte/untemehmen/Produkte/produktdesmonats/?sid=734c7b17-6e04-4060-8dd6-8at790704147>; 2 Pages.

Notice of Allowance; Japanese Design Application No. 2016-000030; Mailing Date: Aug. 19, 2016; 2 Pages.

Notice of Completion of Formalities for Patent Register and Notice of Grant of Design Patent Right; Chinese Application No. 2015305503426; Date of Issue: May 11, 2016; 5 Pages.

Notice of Completion of Formalities for Patent Register and Notice of Grant of Design Patent Right; Chinese Application No. 2015305503498; Date of Issue: Jun. 29, 2016; 5 Pages.

Notification of Making the First Rectification; Chinese Application No. 2015305503426; Date of Issue: Apr. 20, 2016; 2 Pages.

Notification of Making the First Rectification; Chinese Application No. 2015305503498; Date of Issue: Apr. 20, 2016; 2 Pages.

Notification of Reasons for Rejection; Japanese Application No. 2016-000028; Date of Mailing: Oct. 14, 2016; 4 Pages.

Office Action; Japanese Application No. 2016-000033; Date of Mailing: Aug. 19, 2016; 4 Pages.

Office Action; Japanese Application No. 2016-000034; Date of Mailing: Aug. 19, 2016; 4 Pages.

Office Action; Japanese Application No. 2016-000035; Date of Mailing: Aug. 19, 2016; 6 Pages.

Office Action; Korean Application No. 30-2015-0066728; Date of Issuance: Apr. 27, 2016; 4 Pages.

Office Action; Korean Application No. 30-2015-0066730; Date of Issuance: Apr. 26, 2016; 4 Pages.

Office Action; Korean Application No. 30-2015-0066732; Date of Issuance: Jun. 22, 2016; 4 Pages.

Office Action; Korean Application No. 30-2015-0066733; Date of Issuance: Apr. 22, 2016; 4 Pages.

Office Action; Korean Application No. 30-2015-0066734; Date of Issuance: Apr. 15, 2016; 4 Pages.

16oz Vortex Tumbler; 3M Innovative Properties Company; JPO Publicly Known Design No. HJ26044095; Date Publicly Known: Oct. 21, 2014; Date of JPO's Collection: Nov. 7, 2014; URL Accessed: <http://3m.corpmerchandise.com/ProductDetail.aspx?did=180798tpid=139598>; 2 Pages.

Japanese Design Patent No. D1329194 (S); Publication Date: May 12, 2008; Machine Translation; 9 Pages.

Notification of Reasons for Rejection; Japanese Design Application No. 2016-000033; Mailing Date: Feb. 3, 2017; 6 Pages.

Notification of Reasons for Rejection; Japanese Design Application No. 2016-000034; Mailing Date: Feb. 3, 2017; 5 Pages.

* cited by examiner

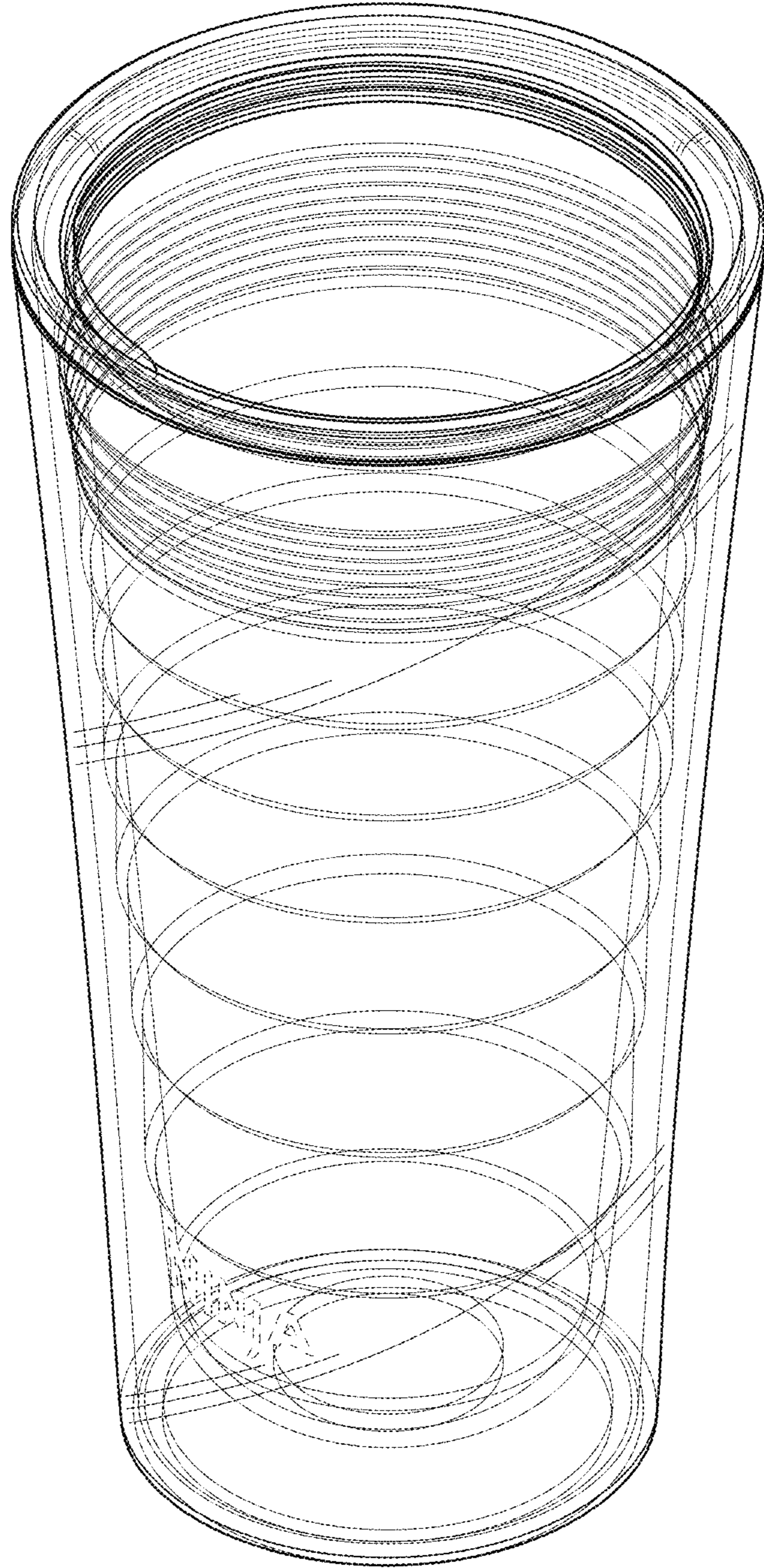


FIG. 1

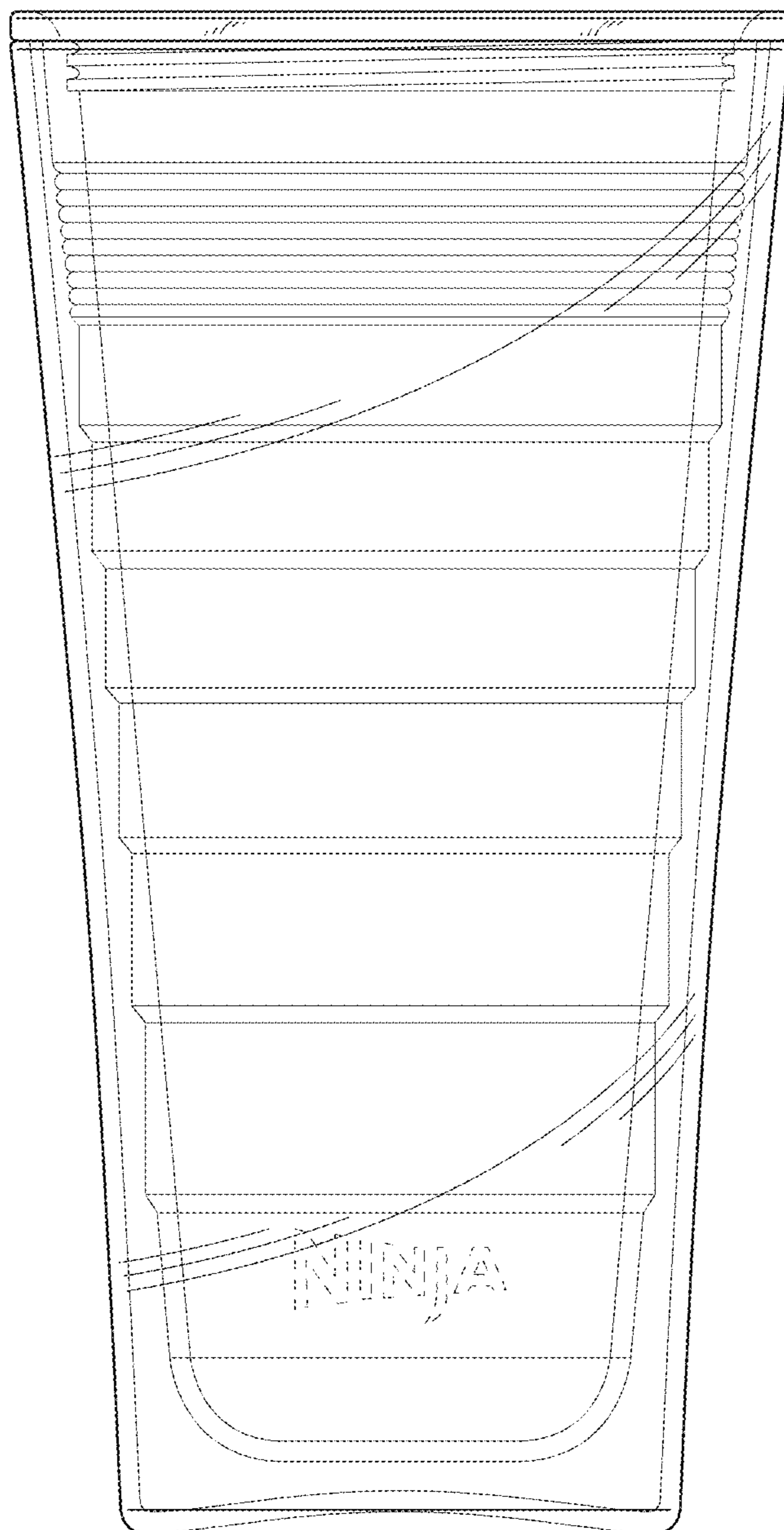


FIG. 2

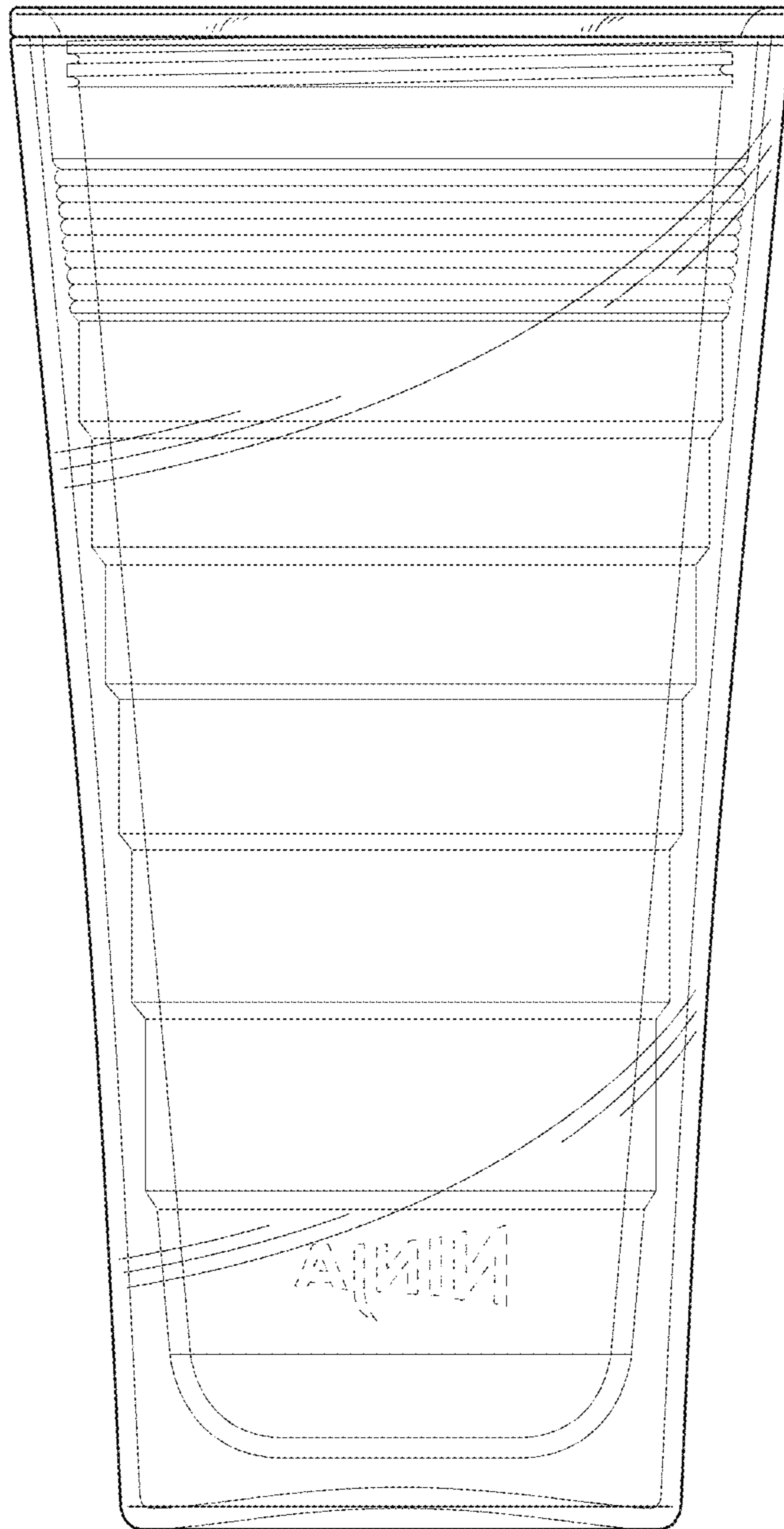


FIG. 3

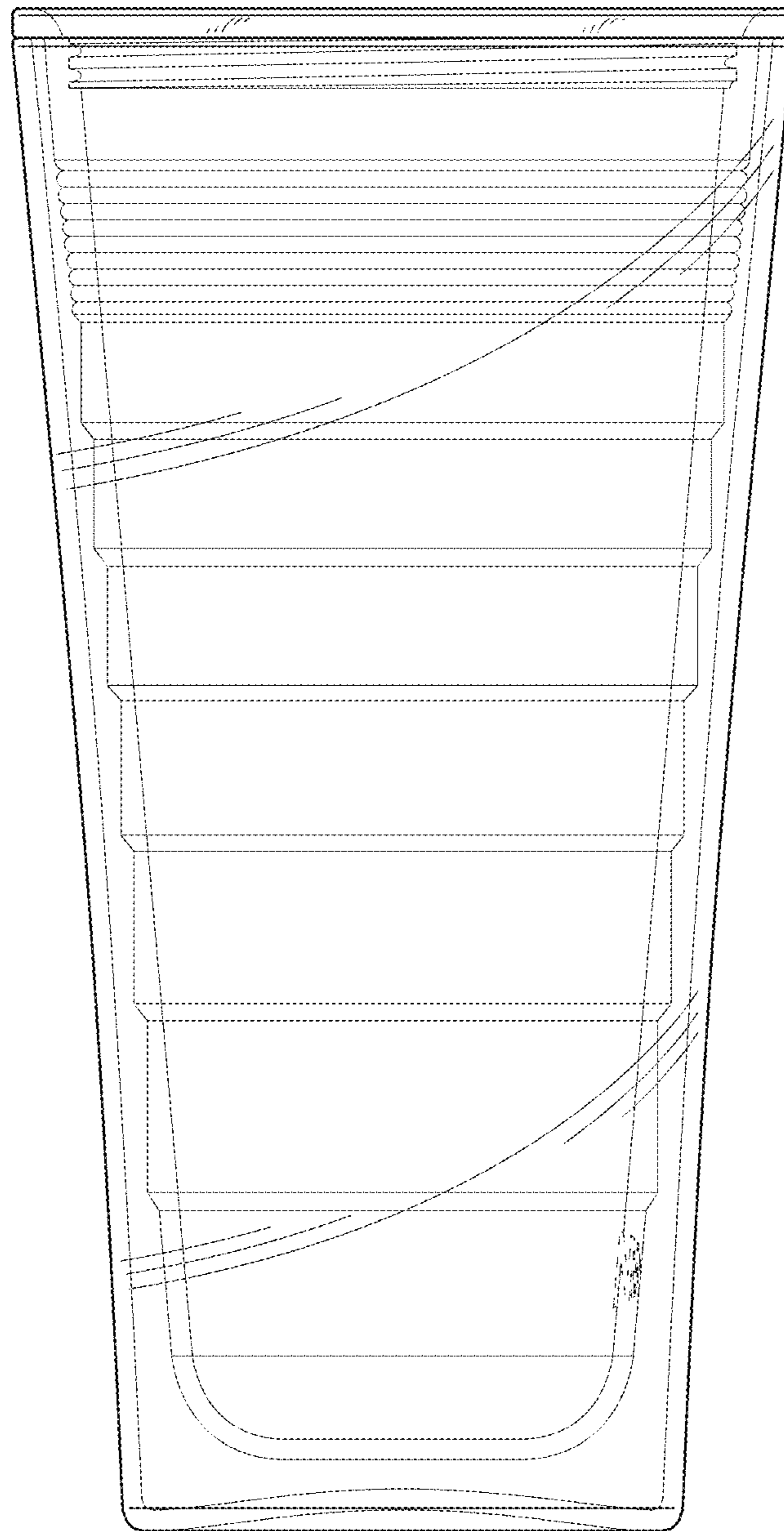


FIG. 4

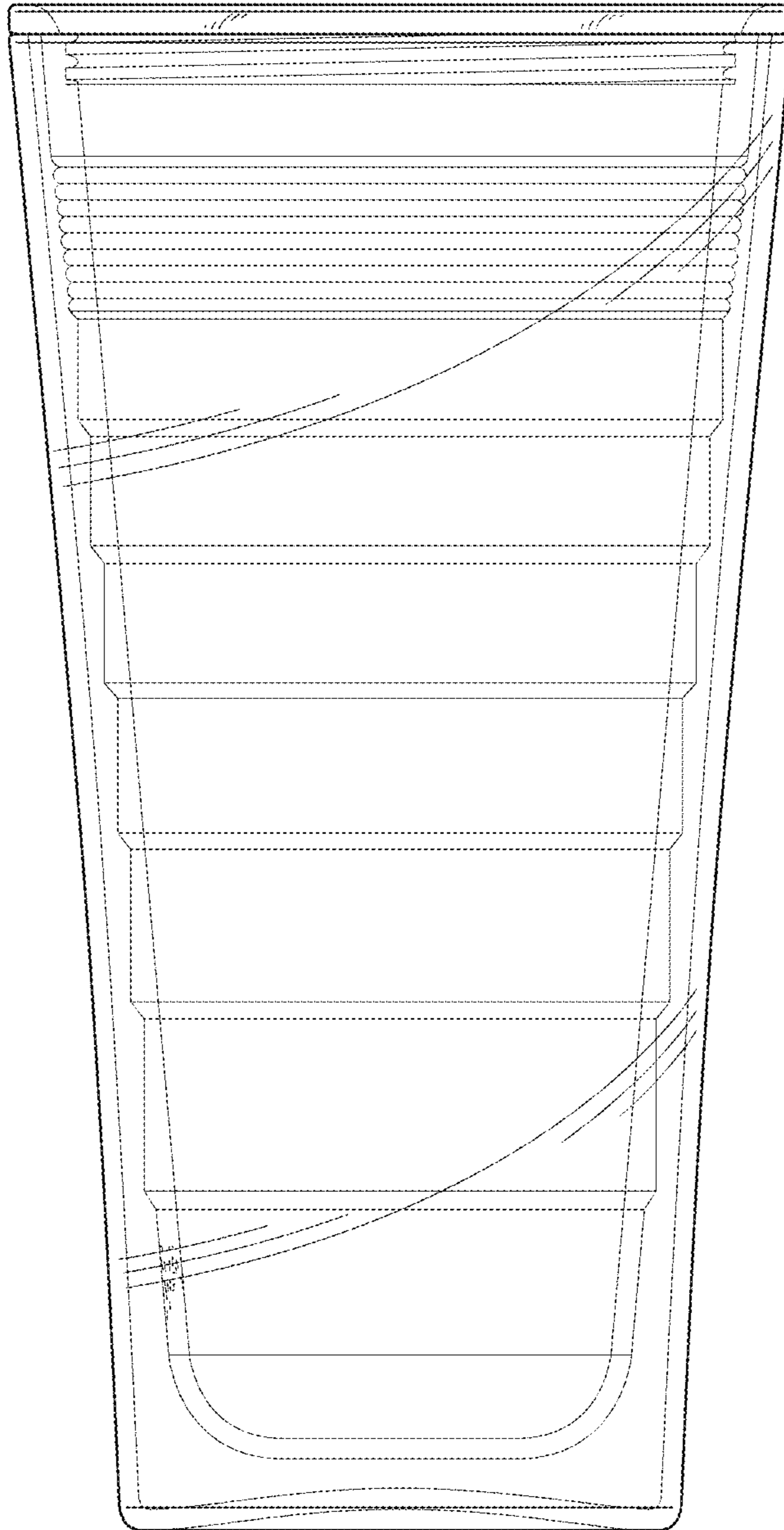


FIG. 5

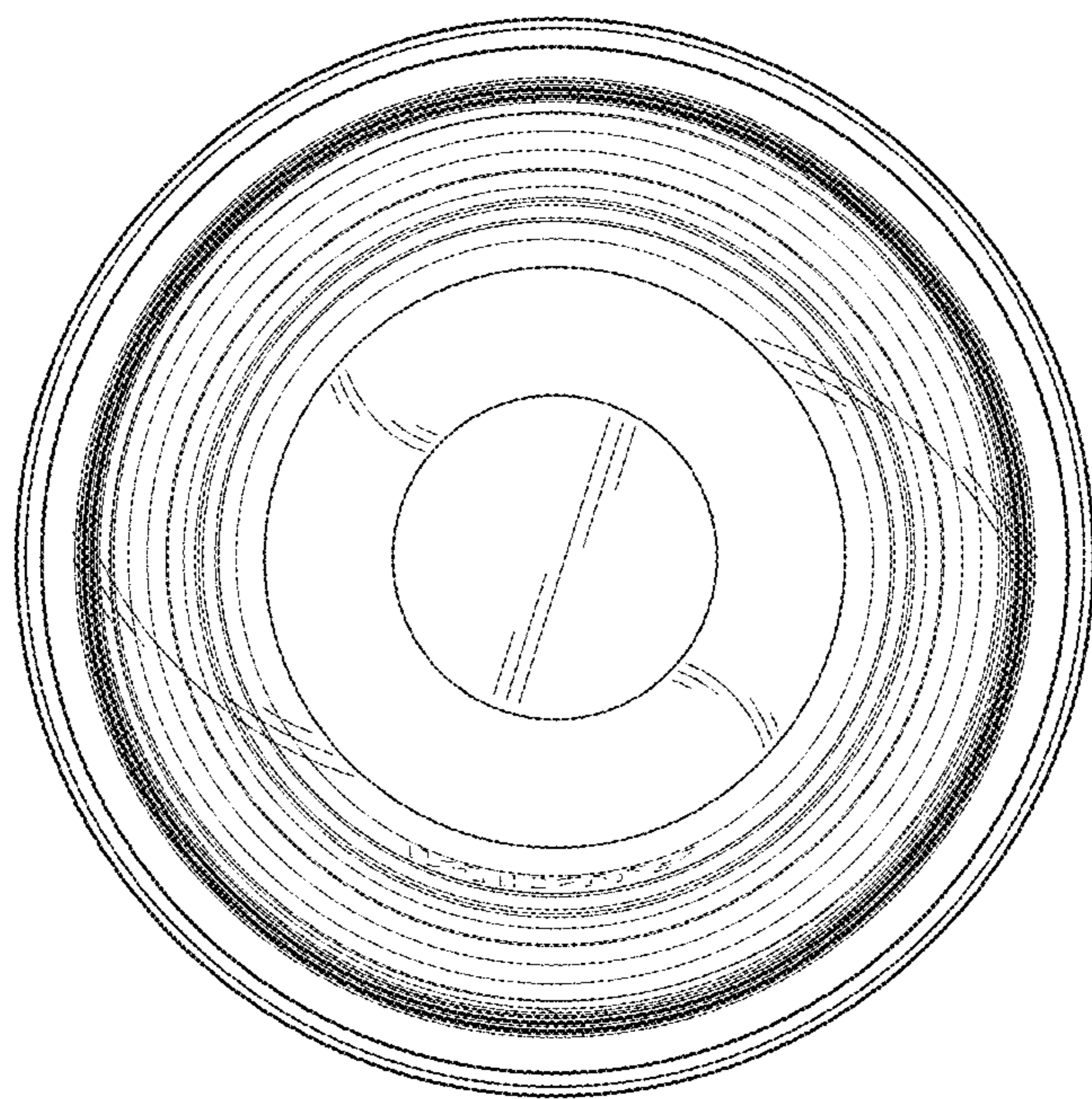


FIG. 6

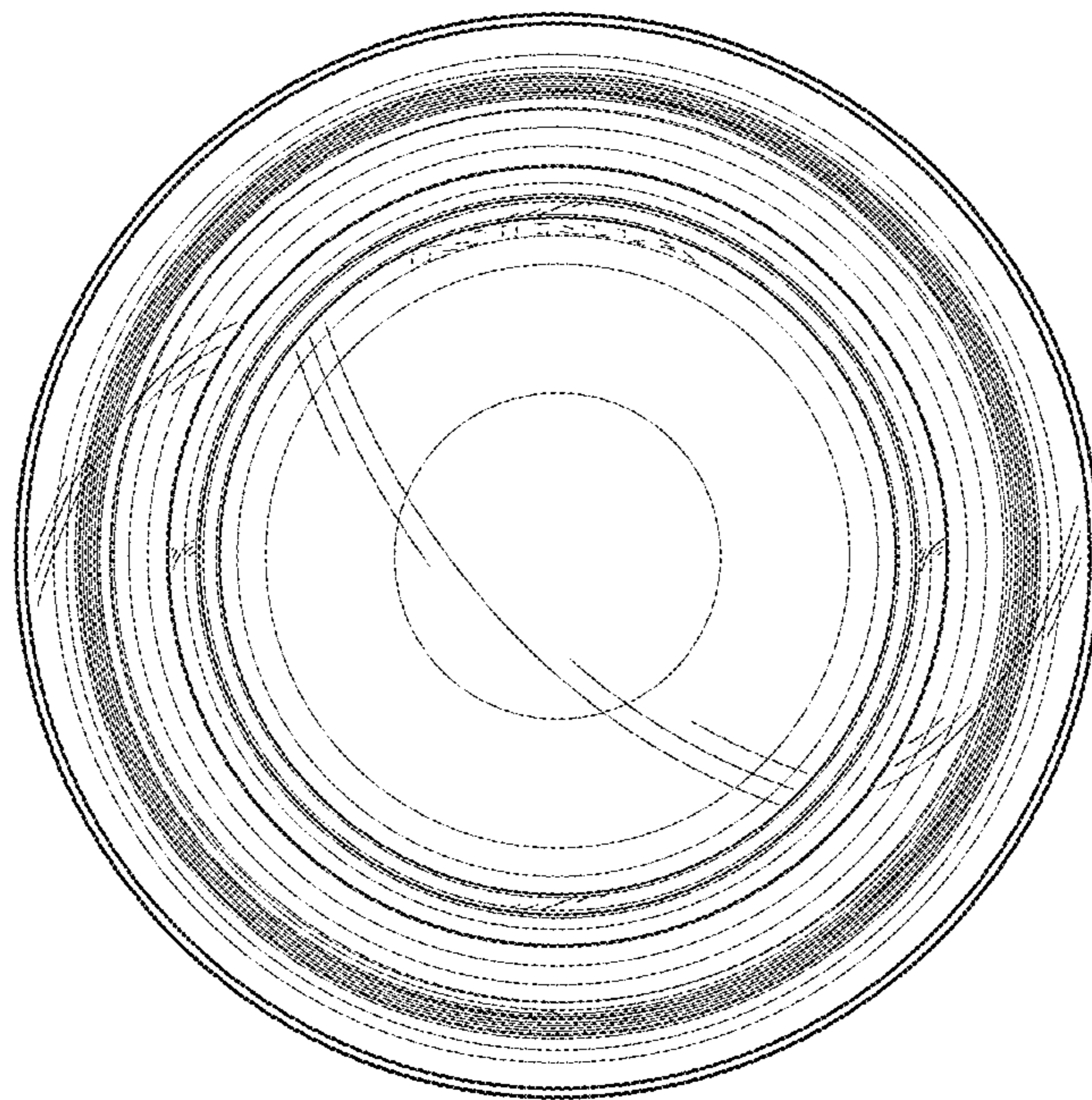


FIG. 7