



US00D788528S

(12) **United States Design Patent** (10) **Patent No.:** **US D788,528 S**
Goodman et al. (45) **Date of Patent:** **** Jun. 6, 2017**

(54) **TWO-TIERED SERVER**

(56) **References Cited**

(71) Applicant: **Spectrum Diversified Designs, LLC**,
Streetsboro, OH (US)

U.S. PATENT DOCUMENTS

(72) Inventors: **Sheldon H. Goodman**, Solon, OH
(US); **Phaysouk Xayoiphonh**, Akron,
OH (US); **Courtney K. Wilson**,
Chardon, OH (US)

D561,539 S	*	2/2008	Snider	D7/600.2
D569,691 S	*	5/2008	Goodman	D7/601
D620,711 S	*	8/2010	Hertaus	D3/306
D664,006 S	*	7/2012	Goodman	D7/601
D664,007 S	*	7/2012	Goodman	D7/601
D670,971 S	*	11/2012	Goodman	D7/601
D671,371 S	*	11/2012	Goodman	D7/601
D698,204 S	*	1/2014	Goodman	D7/601

(73) Assignee: **Spectrum Diversified Designs, LLC**,
Streetsboro, OH (US)

* cited by examiner

(**) Term: **15 Years**

Primary Examiner — Terry Wallace

(21) Appl. No.: **29/550,816**

(74) *Attorney, Agent, or Firm* — Benesch, Friedlander,
Coplan & Aronoff LLP

(22) Filed: **Jan. 7, 2016**

(57) **CLAIM**

(51) **LOC (10) Cl.** **07-01**

The ornamental design for a two-tiered server, as shown and described.

(52) **U.S. Cl.**

DESCRIPTION

USPC **D7/500**; D7/601

(58) **Field of Classification Search**

USPC ... D7/601, 704, 600.1–600.4, 584–587, 500,
D7/501; D3/304, 306; D6/676.5, 677.5,
D6/678, 678.4, 680.3; D19/76
CPC A47F 7/0071; A47F 7/00; A47F 7/022;
A47F 5/01; A47F 7/02; A47F 5/00; A47F
5/08; A47F 5/14; A47L 19/04; F16M
11/10; F16M 13/00; A47B 75/00; B65D
7/20; B65D 7/26; B65D 7/14; A47D
15/00; A47D 19/04

FIG. 1 is a perspective view of a two tiered server showing a new design;

FIG. 2 is a front view of the two tiered server of FIG. 1;

FIG. 3 is a rear view of the two tiered server of FIG. 1;

FIG. 4 is a side view of the two tiered server of FIG. 1;

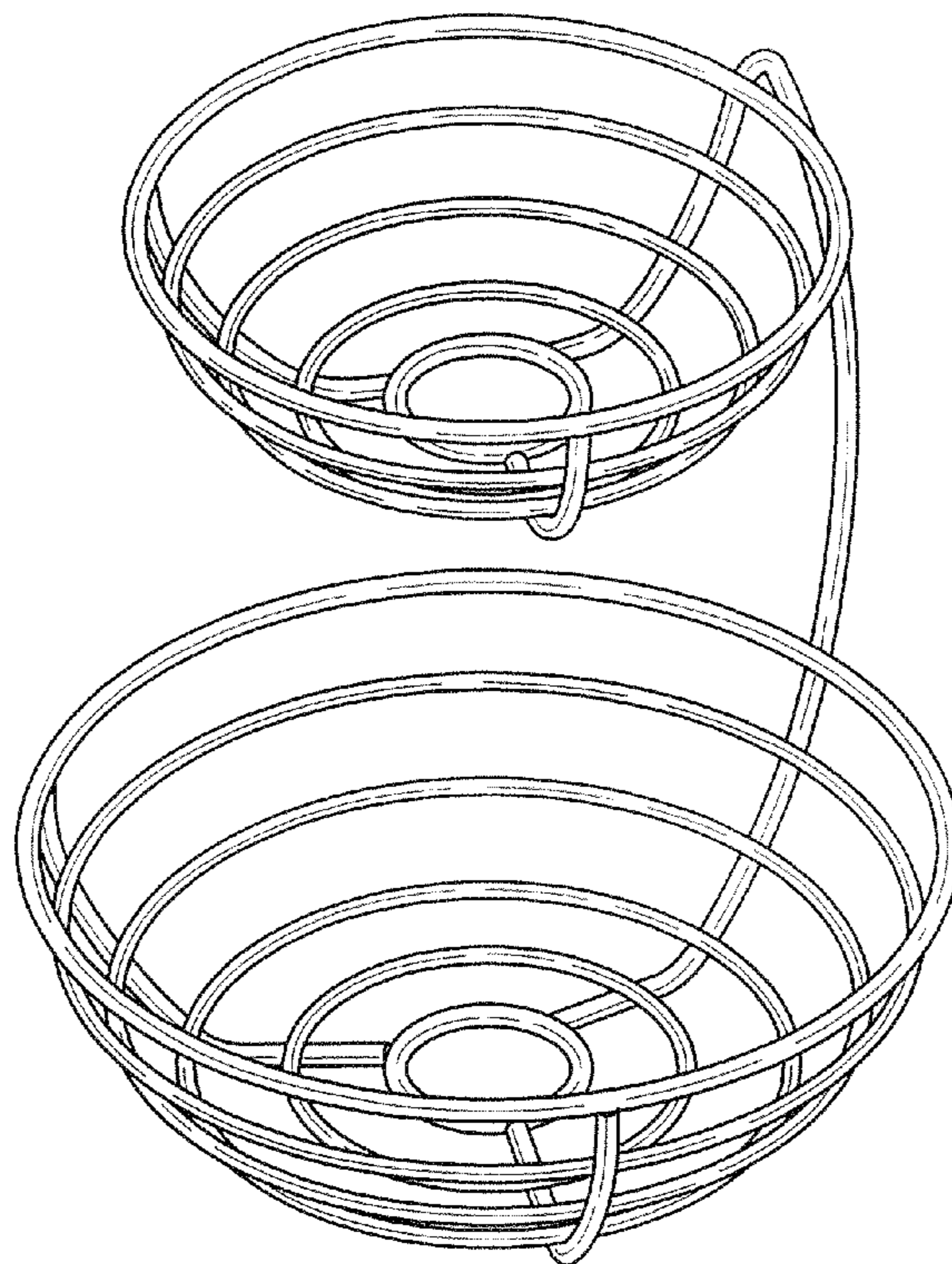
FIG. 5 is a top view of the two tiered server of FIG. 1; and,

FIG. 6 is a bottom view of the two tiered server of FIG. 1.

The components of the display shown in broken lines illustrate portions of the two tiered server form no part of the claimed design.

See application file for complete search history.

1 Claim, 4 Drawing Sheets



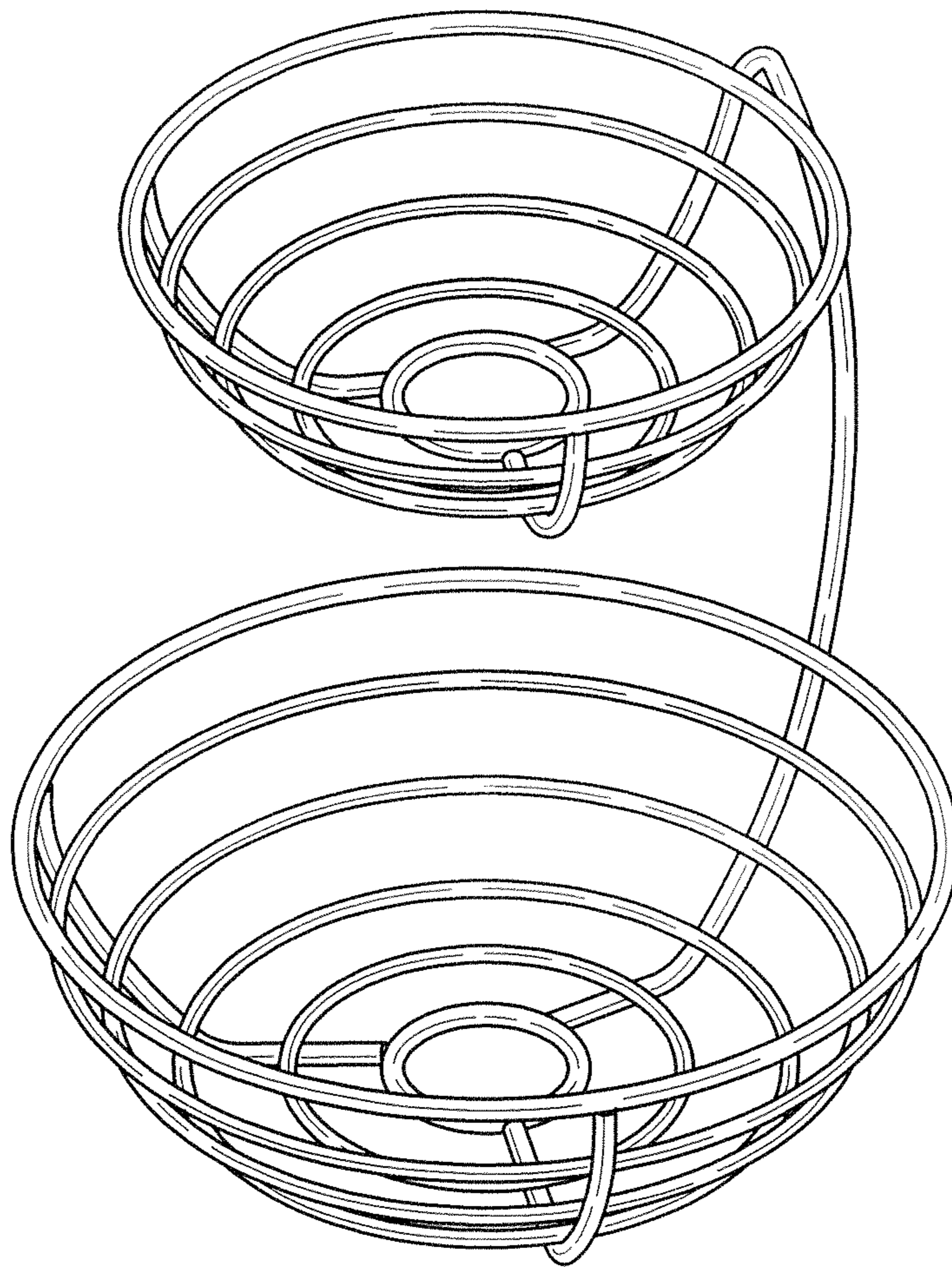


FIG. 1

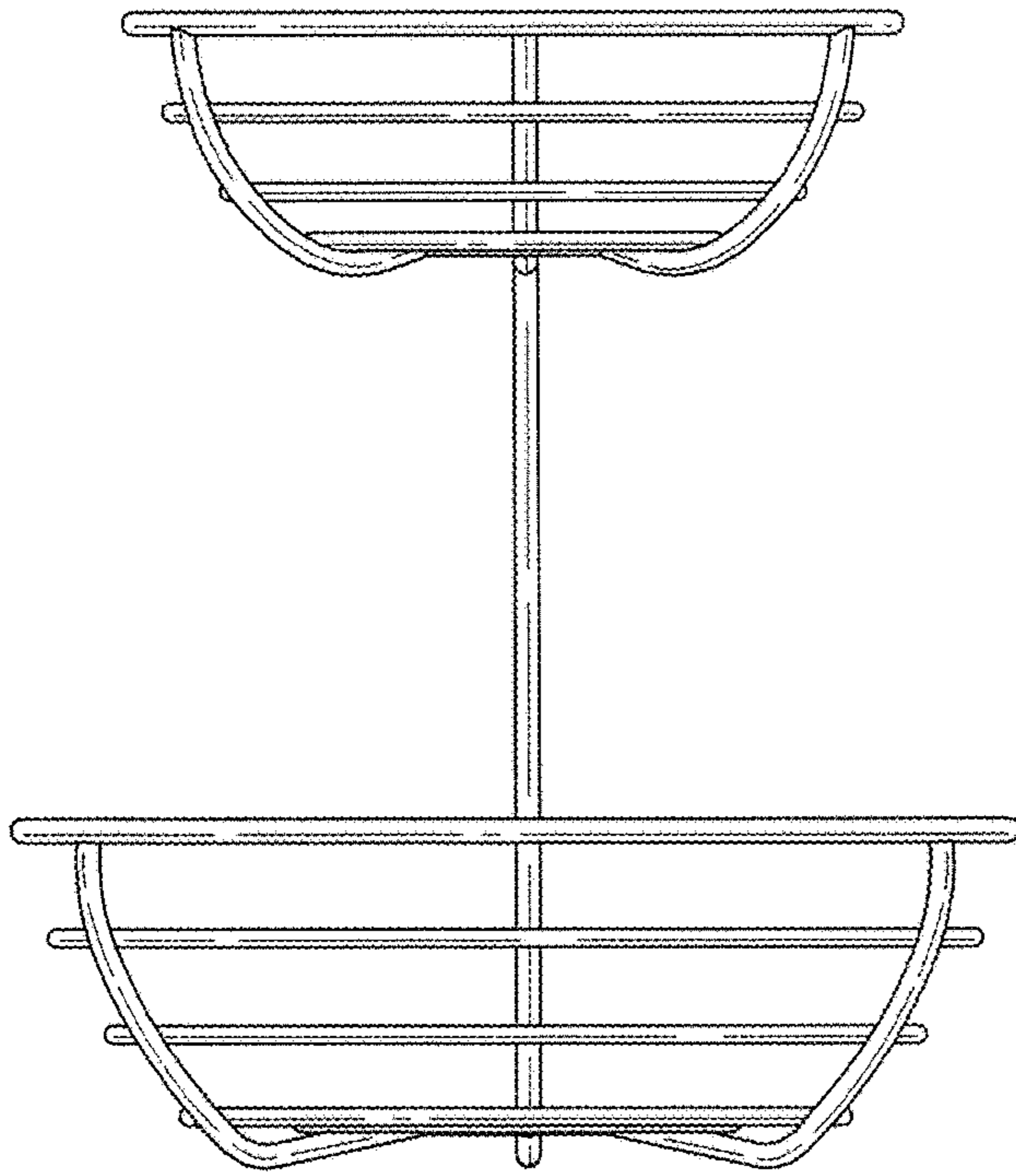


FIG. 2

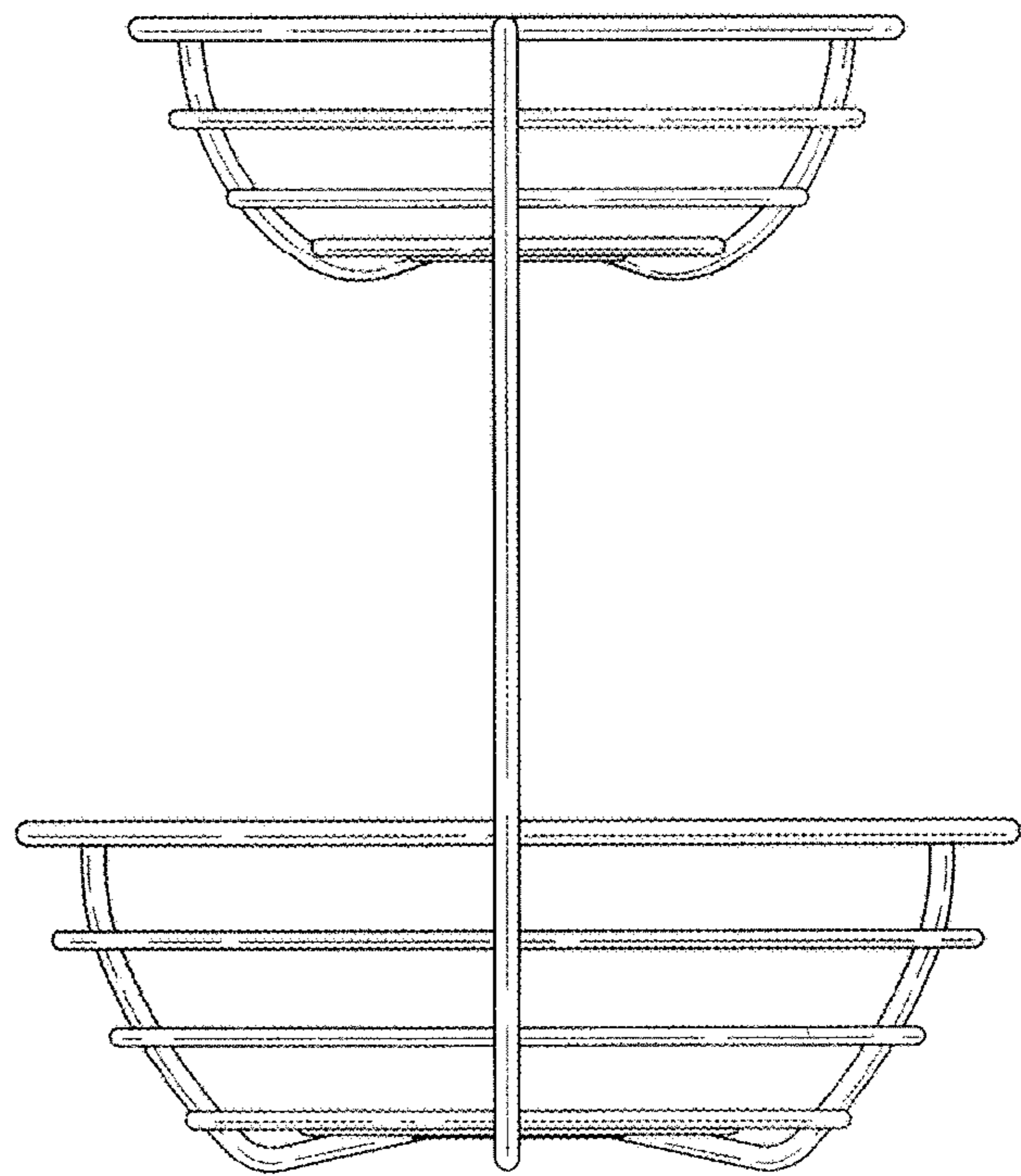


FIG. 3

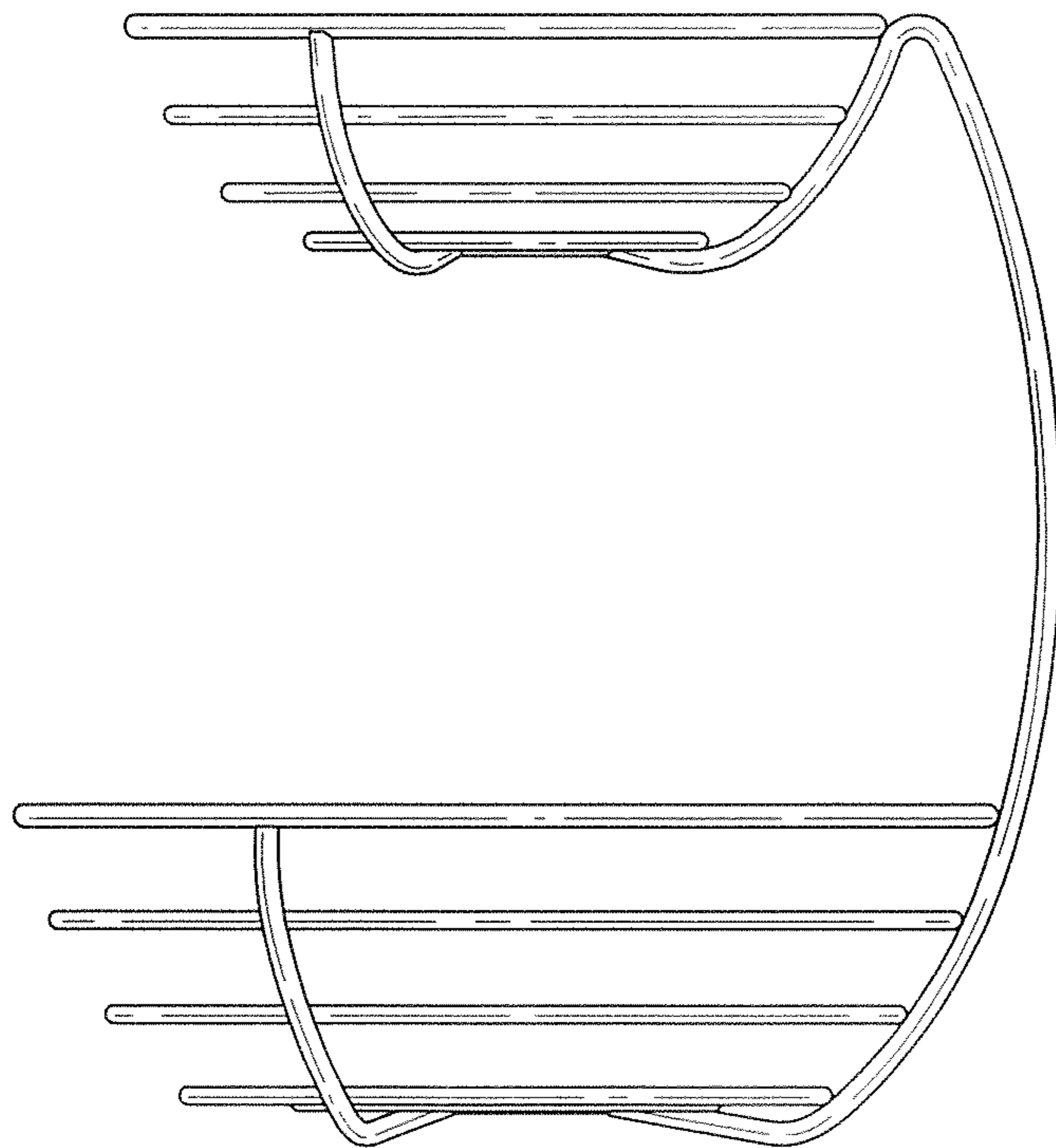


FIG. 4

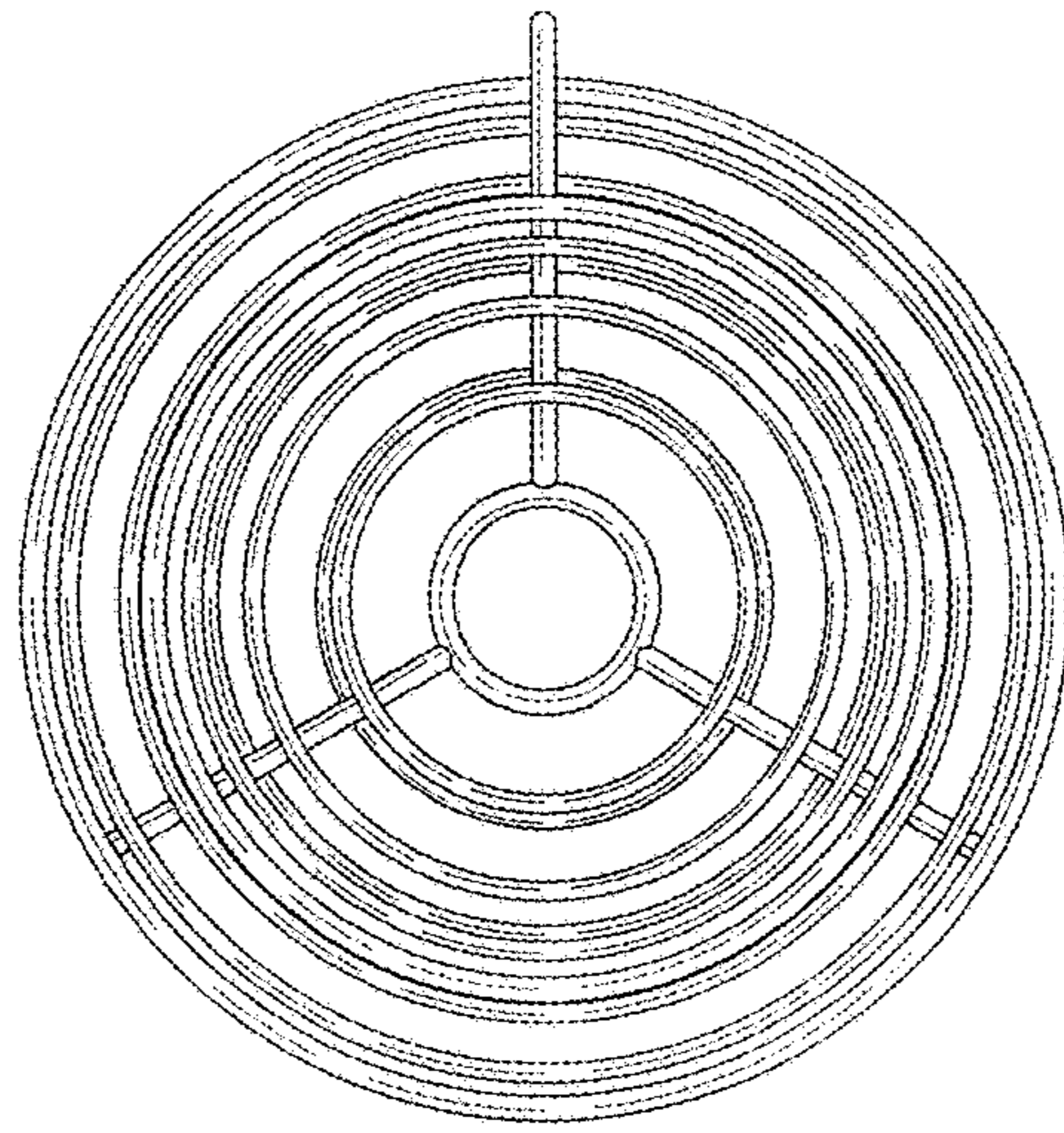


FIG. 5

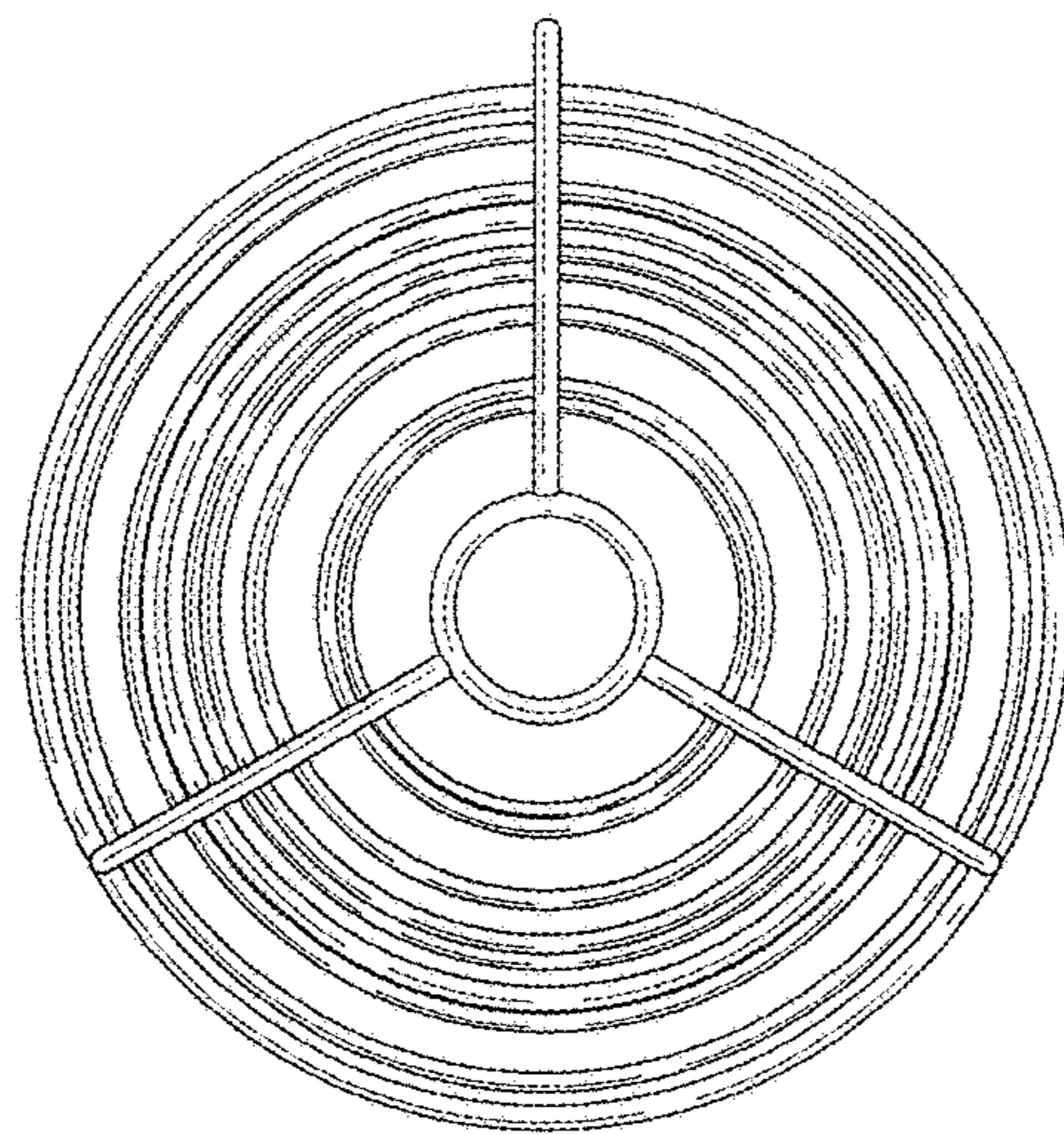


FIG. 6