



US00D788527S

(12) **United States Design Patent** (10) **Patent No.:** **US D788,527 S**
Smith et al. (45) **Date of Patent:** **** Jun. 6, 2017**

(54) **BLENDER CONTAINER** 13/1835; B28C 5/10; B28C 5/12; B28C 5/14; B28C 5/16; B65D 21/0228; B65D 43/021

(71) Applicant: **SharkNinja Operating LLC**, Newton, MA (US) See application file for complete search history.

(72) Inventors: **Cory Smith**, Newton, MA (US); **David Audette**, Newton, MA (US) (56)

References Cited

U.S. PATENT DOCUMENTS

(73) Assignee: **SHARKNINJA OPERATING LLC**, Newton, MA (US)

D181,541 S 11/1957 Madl et al.
D185,780 S 8/1959 Tupper
D214,227 S 5/1969 Madl et al.

(Continued)

(**) Term: **15 Years**

FOREIGN PATENT DOCUMENTS

(21) Appl. No.: **29/550,846**

DK MA02601955 8/1995
KR 0233885 S 3/1999

(22) Filed: **Jan. 7, 2016**

OTHER PUBLICATIONS

Related U.S. Application Data

(60) Division of application No. 29/518,186, filed on Feb. 20, 2015, now Pat. No. Des. 760,026, which is a continuation of application No. 29/484,128, filed on Mar. 6, 2014, now Pat. No. Des. 734,988, and a continuation of application No. 29/484,129, filed on Mar. 6, 2014, now Pat. No. Des. 735,530.

Notice of Allowance; Design U.S. Appl. No. 29/484,128, filed Mar. 6, 2014; Blender Container; Date Mailed: Mar. 27, 2015; 7 pages.

(Continued)

Primary Examiner — Ricky Pham

(74) *Attorney, Agent, or Firm* — Cantor Colburn LLP

(51) **LOC (10) Cl.** **31-00**

(52) **U.S. Cl.**
USPC **D7/413**; D7/376; D7/378

(57) **CLAIM**

(58) **Field of Classification Search**
USPC D7/326, 372, 376–386, 412–413, D7/507–510, 602, 629, 665–666, 669, D7/679, 693–694, 300.1, 376–386, D7/412–413

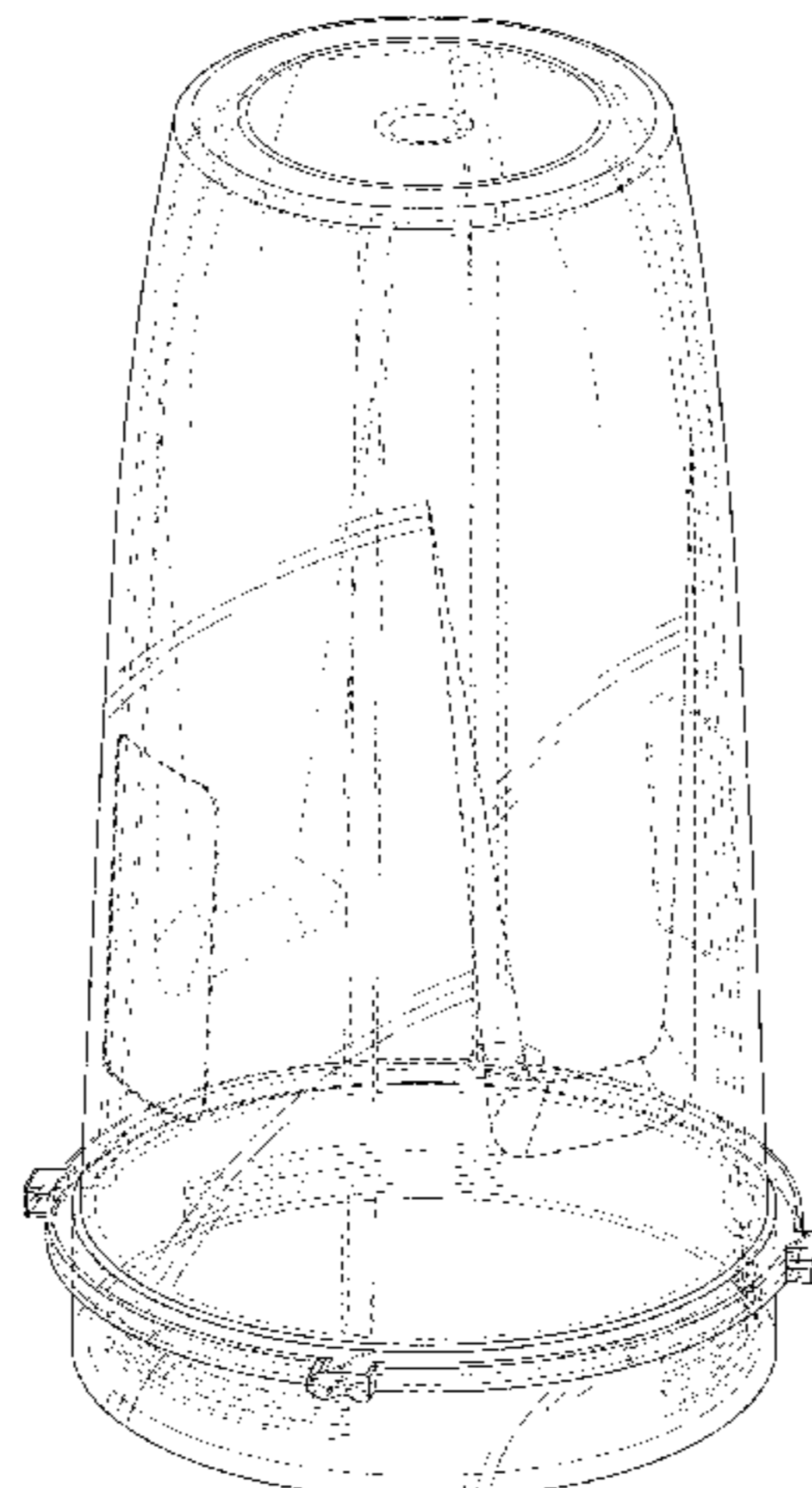
We claim, the ornamental design for a blender container, as shown and described.

DESCRIPTION

CPC A21C 1/02; A21C 1/04; A23N 1/00; A23N 1/02; A47J 43/04; A47J 43/25; A47J 43/27; A47J 43/042; A47J 43/044; A47J 43/046; A47J 43/075; A47J 43/0722; A47J 43/0727; A47J 19/027; A47J 19/22; B01F 3/00; B01F 3/0807; B01F 3/0853; B01F 13/0059; B01F 13/0064; B02C 1/08; B02C 2/04; B02C 4/42; B02C 4/142; B02C 4/143; B02C 4/423; B02C

FIG. 1 is a perspective view of an embodiment of a blender container showing our new design; FIG. 2 is a front elevational view thereof; FIG. 3 is a rear elevational view thereof; FIG. 4 is a left side elevational view thereof; FIG. 5 is a right side elevational view thereof; FIG. 6 is a top plan view thereof; and, FIG. 7 is a bottom plan view thereof.

(Continued)



The broken lines in the drawings are for illustrative purposes only and form no part of the claimed design.

1 Claim, 7 Drawing Sheets

(56)

References Cited

U.S. PATENT DOCUMENTS

| | | | | |
|-----------|-----|---------|---------------------|----------|
| 3,820,692 | A | 6/1974 | Swett et al. | |
| D241,404 | S | 9/1976 | Mantelet | |
| D278,963 | S | 5/1985 | Dair et al. | |
| D301,824 | S | 6/1989 | Machuron | |
| D305,503 | S | 1/1990 | Bormioli | |
| D349,423 | S | 8/1994 | Burgel | |
| D400,757 | S | 11/1998 | Hippen et al. | |
| D406,154 | S | 2/1999 | Copland et al. | |
| D416,443 | S | 11/1999 | Kilpatrick et al. | |
| D417,589 | S | 12/1999 | Parker | |
| D417,591 | S | 12/1999 | Roehrig | |
| 6,029,568 | A | 2/2000 | Pascotti et al. | |
| D426,423 | S | 6/2000 | Lee | |
| D428,768 | S | 8/2000 | Betras | |
| D431,469 | S | 10/2000 | Solland et al. | |
| D432,865 | S | 10/2000 | Cohen | |
| D438,430 | S | 3/2001 | Gabrhel | |
| D444,344 | S | 7/2001 | Barthelemy et al. | |
| D459,947 | S | 7/2002 | Cheng | |
| D462,236 | S | 9/2002 | Hurlbut | |
| D466,362 | S | 12/2002 | Moore | |
| D471,064 | S | 3/2003 | Renz | |
| D475,582 | S | 6/2003 | To | |
| D478,779 | S | 8/2003 | Stamper, III et al. | |
| D479,949 | S | 9/2003 | Janky | |
| D480,601 | S | 10/2003 | Pettaweebuncha | |
| D487,668 | S | 3/2004 | Sands | |
| D488,672 | S | 4/2004 | Oas | |
| D490,272 | S | 5/2004 | Rohe | |
| D498,642 | S | 11/2004 | Huang | |
| D501,756 | S | 2/2005 | Nikkhah | |
| D501,759 | S | 2/2005 | Sands | |
| D507,721 | S | 7/2005 | Schuler | |
| D510,235 | S * | 10/2005 | Sorensen | D7/510 |
| D510,678 | S | 10/2005 | Krasne et al. | |
| D514,884 | S | 2/2006 | Smith et al. | |
| D517,862 | S | 3/2006 | Sands | |
| D518,994 | S * | 4/2006 | Lin | D7/378 |
| D521,802 | S | 5/2006 | Sands | |
| 7,044,051 | B2 | 5/2006 | Le Rouzic | |
| D522,304 | S | 6/2006 | Huang | |
| D528,364 | S | 9/2006 | Kolar et al. | |
| D536,216 | S | 2/2007 | Sands | |
| D537,677 | S | 3/2007 | Bresler | |
| D540,124 | S | 4/2007 | Ross | |
| D540,979 | S | 4/2007 | Chen | |
| D547,610 | S | 7/2007 | Edelstein et al. | |
| D548,008 | S | 8/2007 | Lin | |
| D549,043 | S * | 8/2007 | Beesley | D7/374 |
| D553,435 | S | 10/2007 | De Groote | |
| D553,904 | S | 10/2007 | Romandy | |
| D554,427 | S | 11/2007 | Sands | |
| D565,353 | S | 4/2008 | Roth et al. | |
| D580,227 | S | 11/2008 | Roth et al. | |
| D580,986 | S | 11/2008 | Farnworth et al. | |
| D587,969 | S | 3/2009 | Gilbert | |
| D597,365 | S * | 8/2009 | Oas | D7/300.1 |
| D617,136 | S | 6/2010 | Bock et al. | |
| D621,206 | S | 8/2010 | Matta et al. | |
| D625,141 | S | 10/2010 | Moore | |
| D631,293 | S | 1/2011 | Ross | |
| D632,133 | S * | 2/2011 | Giraud | D7/510 |
| D632,918 | S | 2/2011 | Gordon | |
| D638,665 | S | 5/2011 | Wu | |
| D644,065 | S * | 8/2011 | Llerena | D7/300.1 |

| | | | | |
|--------------|------|---------|---------------------|------------------------|
| D644,478 | S | 9/2011 | Czach | |
| D654,305 | S | 2/2012 | Gursel et al. | |
| D655,133 | S * | 3/2012 | Brinckerhoff | D7/376 |
| D658,014 | S | 4/2012 | Miga, Jr. | |
| D661,547 | S | 6/2012 | Brinckerhoff et al. | |
| D668,114 | S * | 10/2012 | Cozzolino | D7/376 |
| D672,618 | S | 12/2012 | Stamper et al. | |
| D682,606 | S | 5/2013 | Machovina et al. | |
| D683,590 | S | 6/2013 | Austin | |
| D696,063 | S | 12/2013 | Coakley et al. | |
| D697,798 | S | 1/2014 | Sorensen et al. | |
| D698,210 | S | 1/2014 | Lavy et al. | |
| D699,996 | S | 2/2014 | De Leo | |
| 8,672,164 | B2 * | 3/2014 | Honeyghan | A47G 19/22 215/235 |
| D702,999 | S | 4/2014 | Audette et al. | |
| D705,606 | S | 5/2014 | Coakley et al. | |
| D708,903 | S | 7/2014 | Wong | |
| D712,196 | S * | 9/2014 | Ho | D7/378 |
| D717,601 | S * | 11/2014 | Dixon | D7/510 |
| D723,332 | S | 3/2015 | Steel | |
| D730,694 | S | 6/2015 | Elsaden et al. | |
| D733,497 | S * | 7/2015 | Sorensen | D7/509 |
| D734,988 | S * | 7/2015 | Smith | D7/376 |
| D735,530 | S * | 8/2015 | Smith | D7/376 |
| D737,629 | S * | 9/2015 | Sands | D7/376 |
| D739,674 | S | 9/2015 | Bergstrom | |
| D744,279 | S | 12/2015 | Arciero et al. | |
| 9,216,843 | B2 * | 12/2015 | Sorensen | B65D 21/0228 |
| D747,915 | S * | 1/2016 | Kim | D7/372 |
| D751,344 | S * | 3/2016 | Charlton | D7/300.1 |
| D752,390 | S | 3/2016 | Ksiazek et al. | |
| D754,480 | S | 4/2016 | Chen | |
| D754,483 | S | 4/2016 | Elsaden et al. | |
| D757,496 | S | 5/2016 | Julier et al. | |
| D758,127 | S | 6/2016 | Zhao | |
| D760,026 | S * | 6/2016 | Smith | D7/376 |
| D766,029 | S * | 9/2016 | Lin | D7/300.1 |
| D767,334 | S * | 9/2016 | Pan | D7/376 |
| D769,043 | S * | 10/2016 | Gamelli | D7/300.1 |
| D771,990 | S * | 11/2016 | Horowitz | D7/300.1 |
| D773,896 | S * | 12/2016 | Dai | D7/507 |
| D775,892 | S | 1/2017 | Smith | |
| 2003/0085228 | A1 * | 5/2003 | Oakes | B65D 43/021 220/302 |
| 2004/0066705 | A1 | 4/2004 | Linz et al. | |
| 2005/0047272 | A1 | 3/2005 | Sands | |
| 2005/0061821 | A1 | 3/2005 | Smith et al. | |
| 2005/0068847 | A1 * | 3/2005 | Sands | A47J 19/027 366/205 |
| 2010/0058940 | A1 | 3/2010 | Rivera | |
| 2011/0220674 | A1 | 9/2011 | Honeyghan | |

OTHER PUBLICATIONS

Notice of Allowance; Design U.S. Appl. No. 29/484,129, filed Mar. 6, 2014 Blender Container; Date Mailed: Apr. 3, 2015; 6 pages.
 Notice of Allowance; Design U.S. Appl. No. 29/518,186, filed Feb. 20, 2015; Blender Container; Date Mailed: Oct. 7, 2015; 7 pages.
 Notice of Allowance; Design U.S. Appl. No. 29/527,273, filed May 18, 2015; Blender Container; Date Mailed: May 17, 2016; 13 pages.
 Notice of Allowance; Design U.S. Appl. No. 29/527,273, filed May 18, 2015; Blender Container; Date Mailed: Aug. 24, 2016; 25 pages.
 Requirement for Restriction/Election; Design U.S. Appl. No. 29/518,186, filed Feb. 20, 2015; Blender Container; Date Mailed: Sep. 4, 2015; 6 pages.
 Sunbeam Kitchen Assistant—Model: 2774; Supplied by Japanese Patent Office Action Jan. 5, 2015; URL: <http://www.sunbeam.com/productdetail.aspx?section=kitchen&cid=1684&pid=4936>; 2 Pages.
 Supplemental Notice of Allowance; Design U.S. Appl. No. 29/518,186, filed Feb. 20, 2015; Blender Container; Date Mailed: Apr. 27, 2016; 5 pages.

* cited by examiner

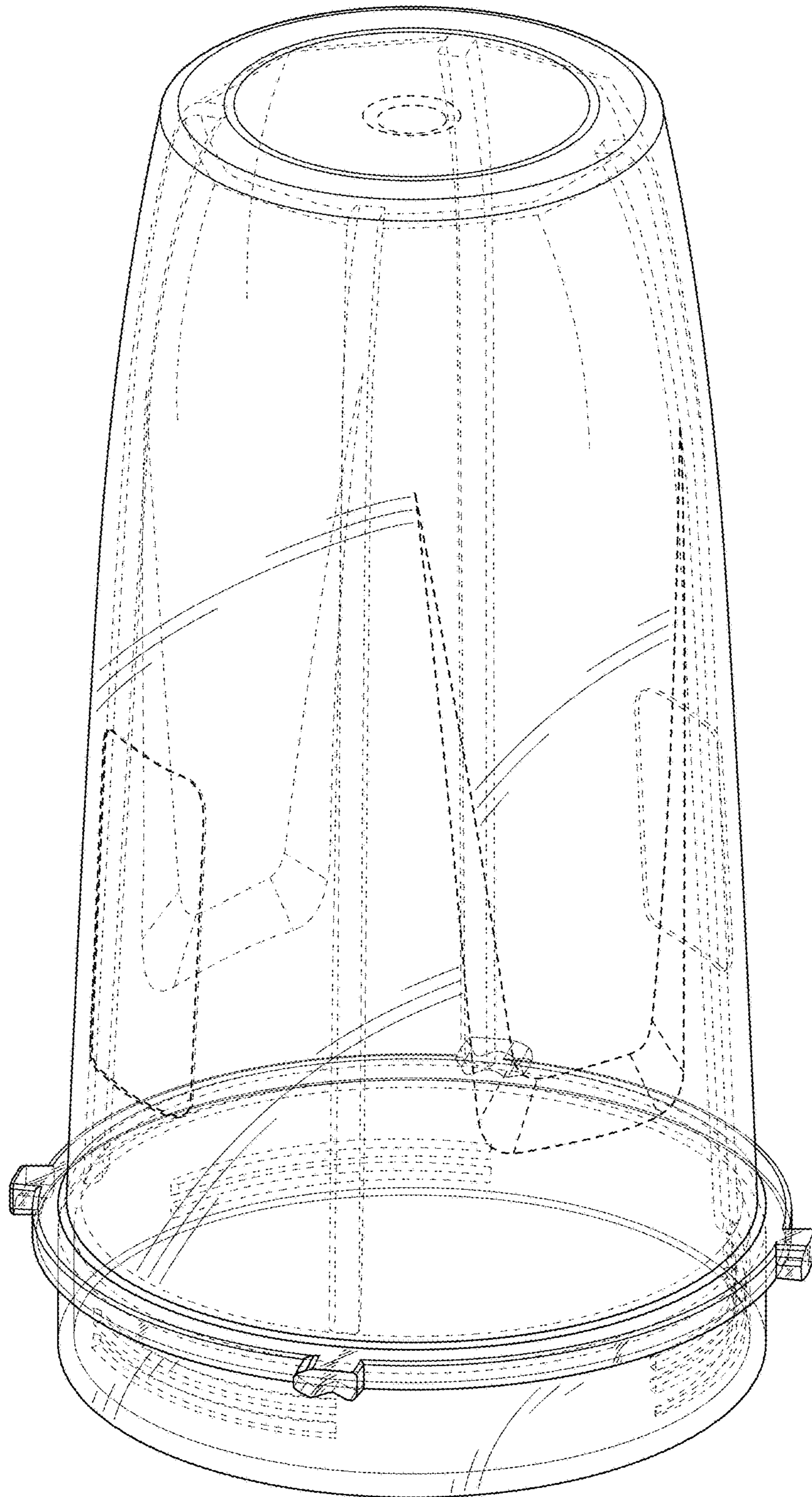


FIG. 1

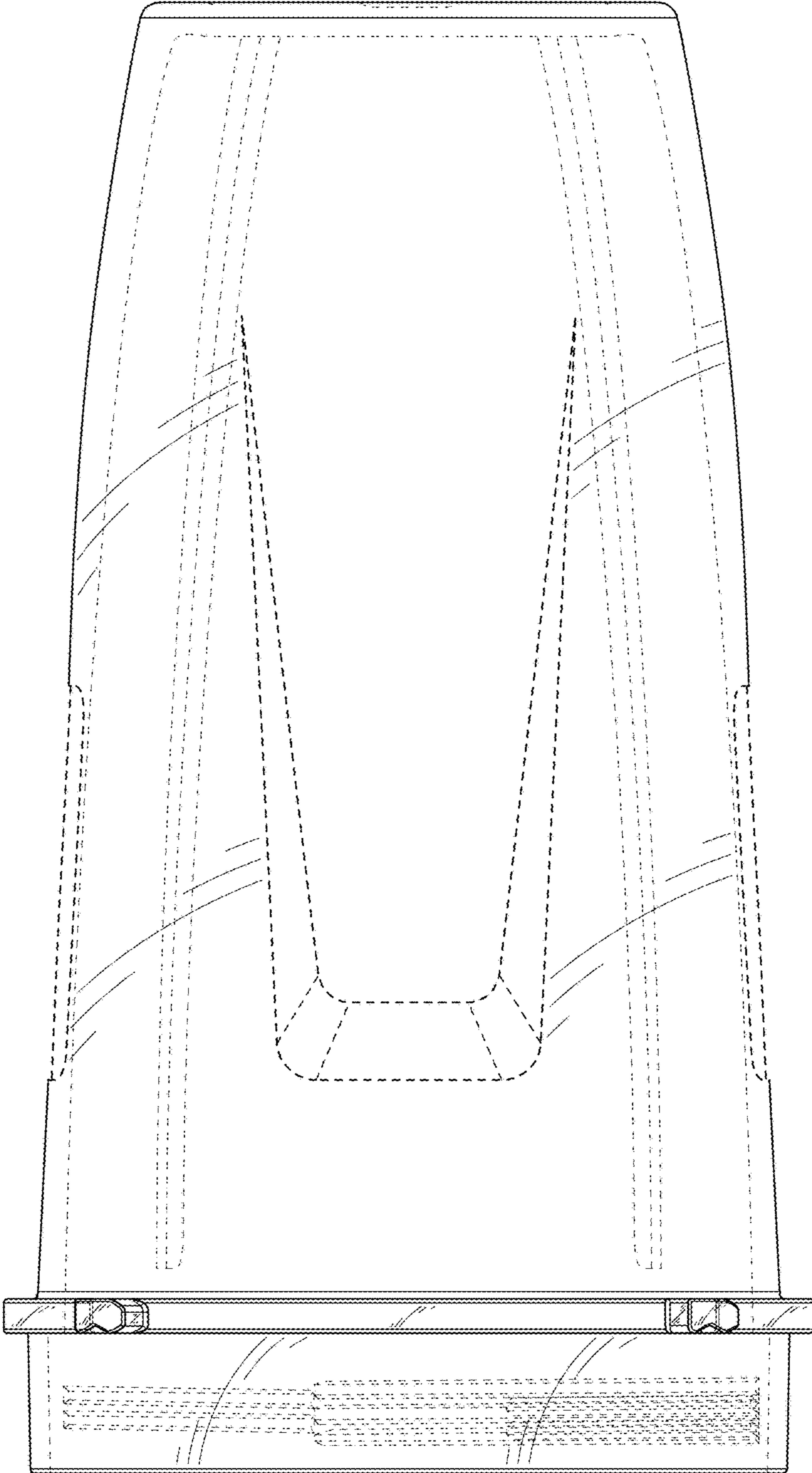


FIG. 2

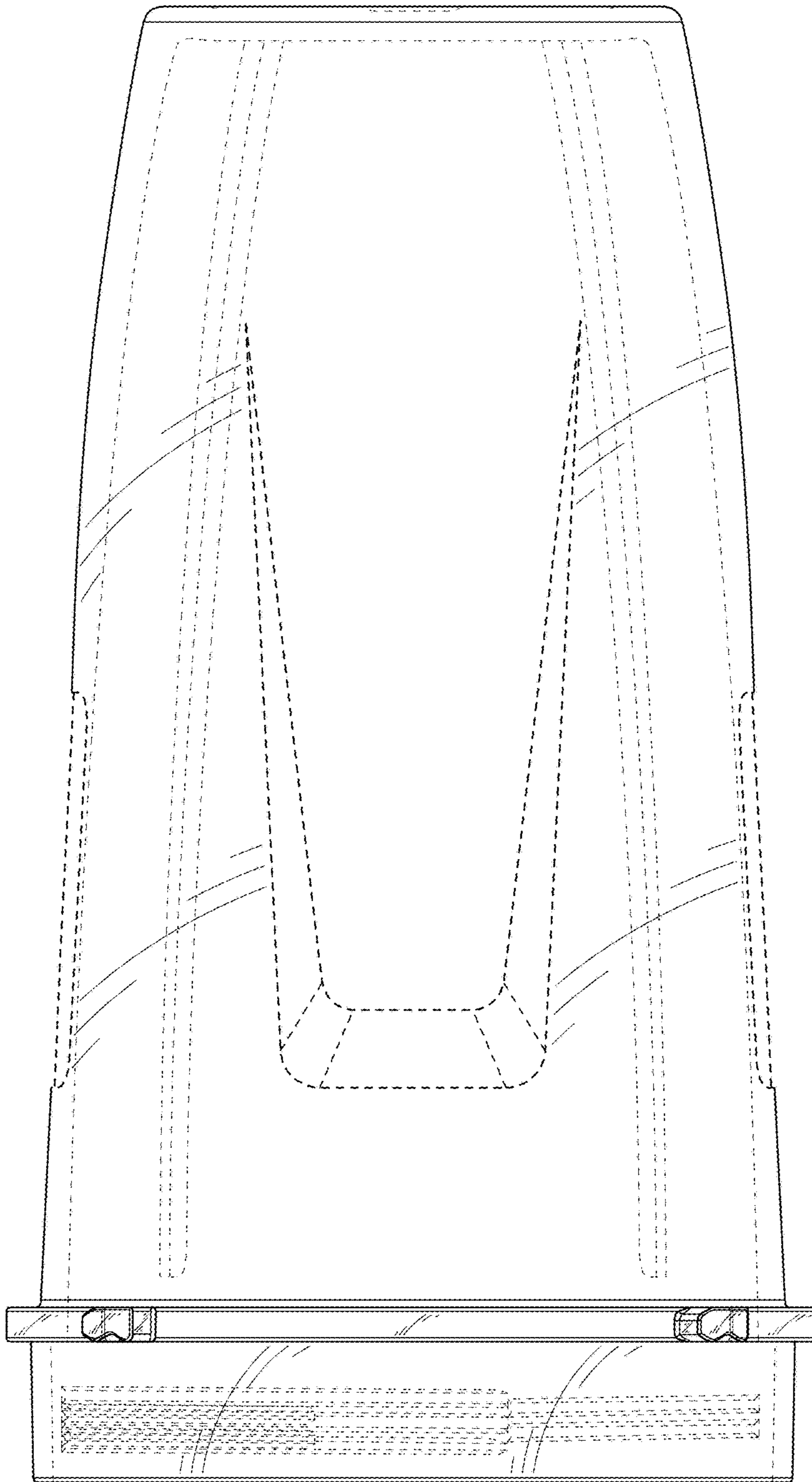


FIG. 3

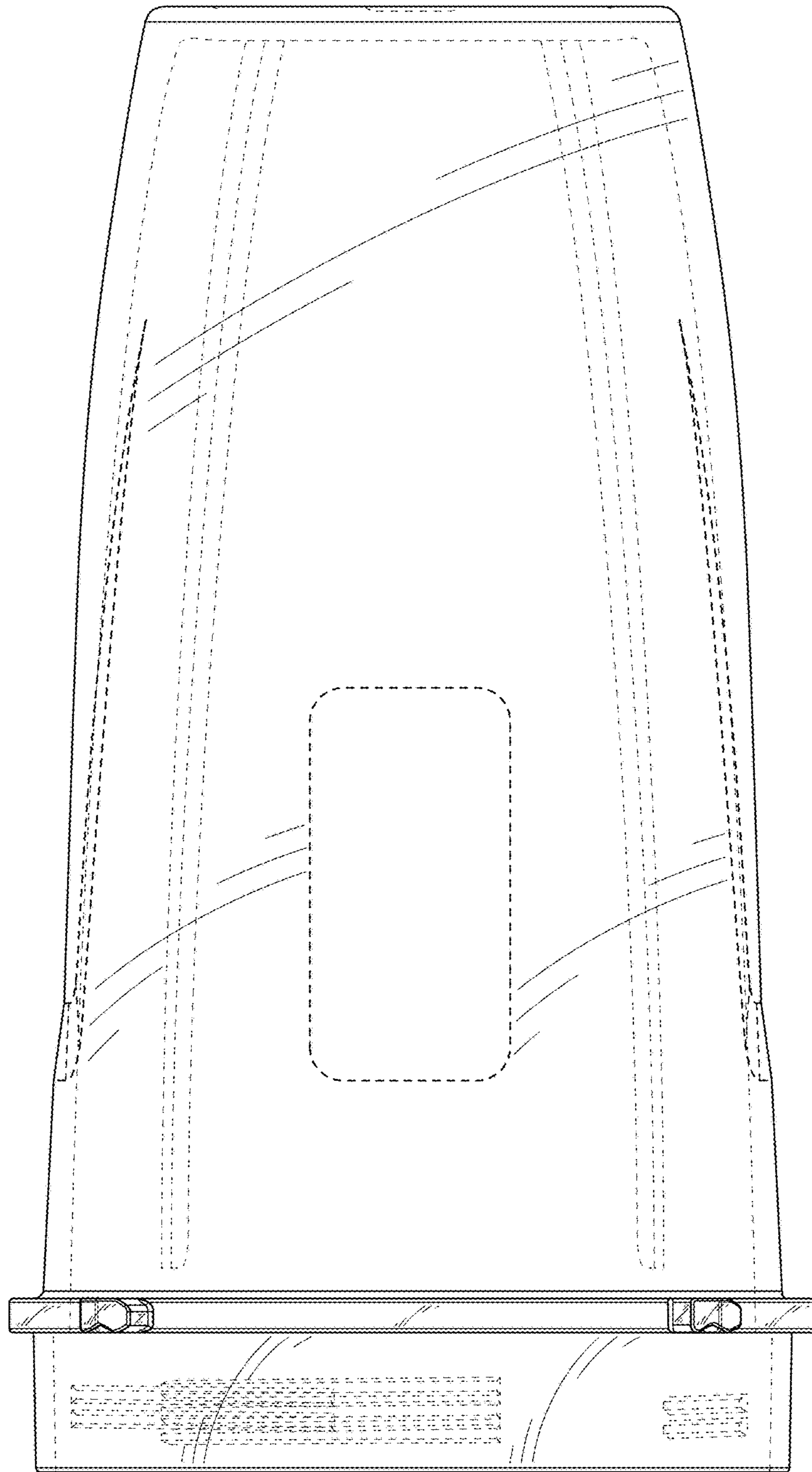


FIG. 4

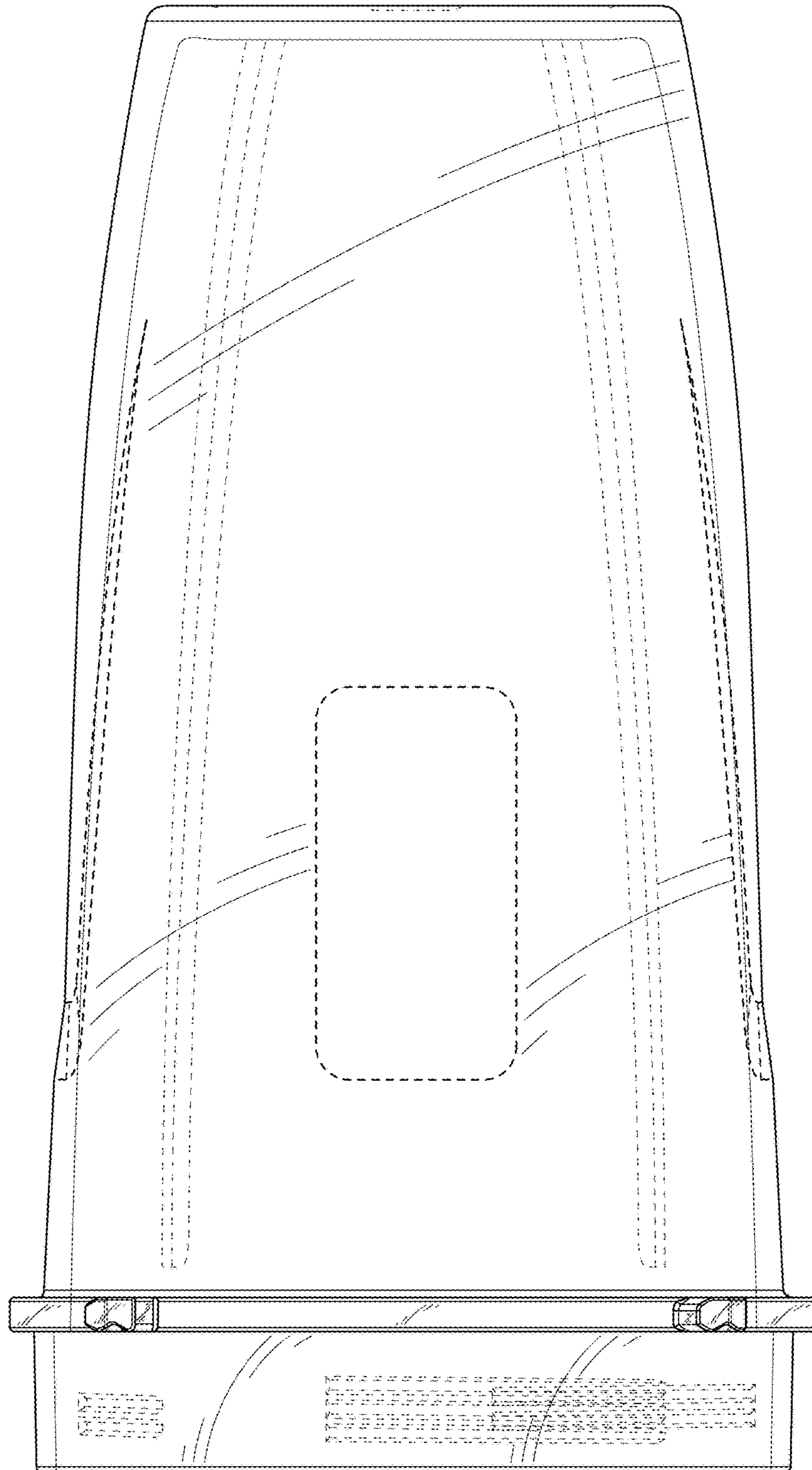


FIG. 5

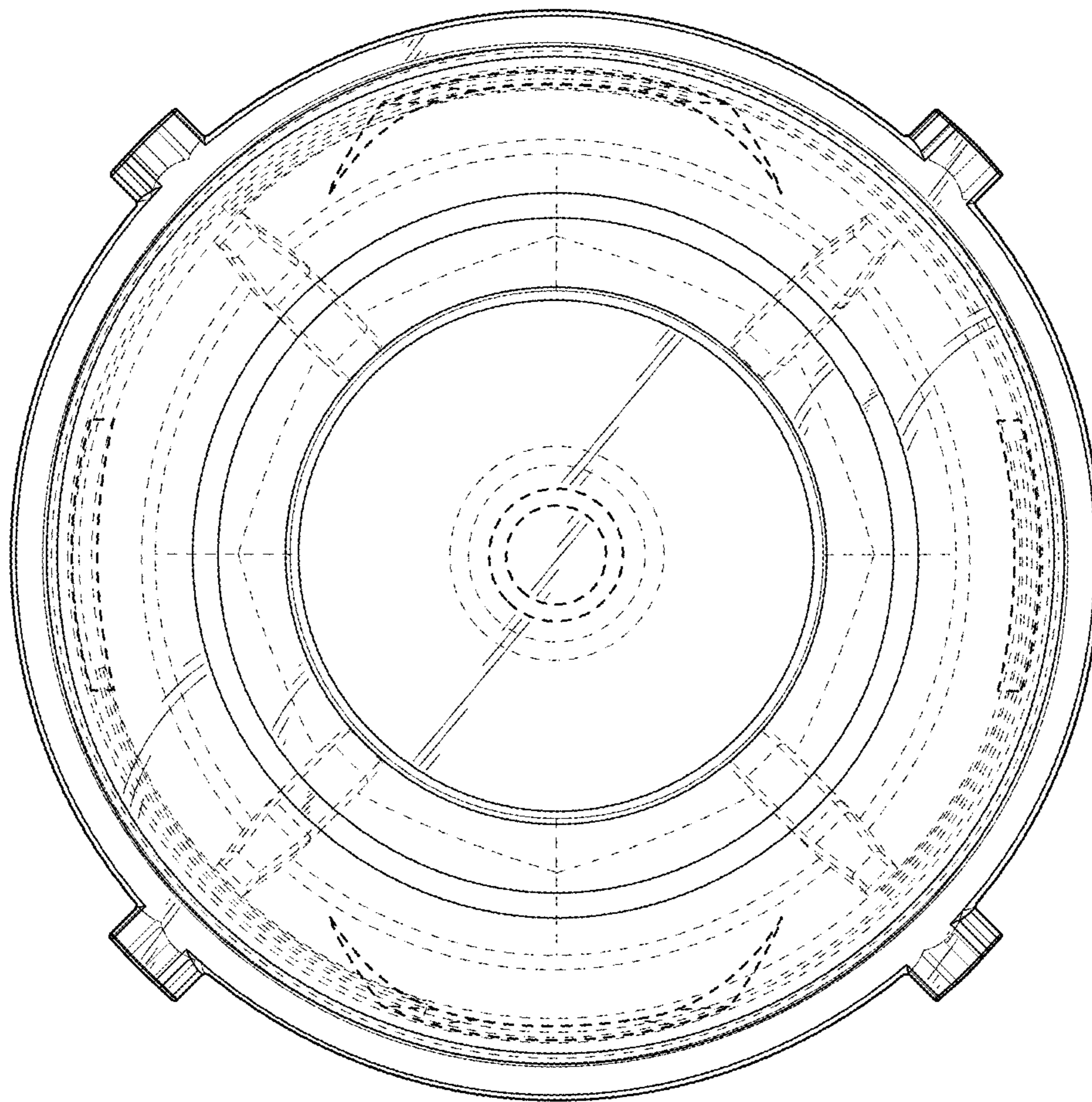


FIG. 6

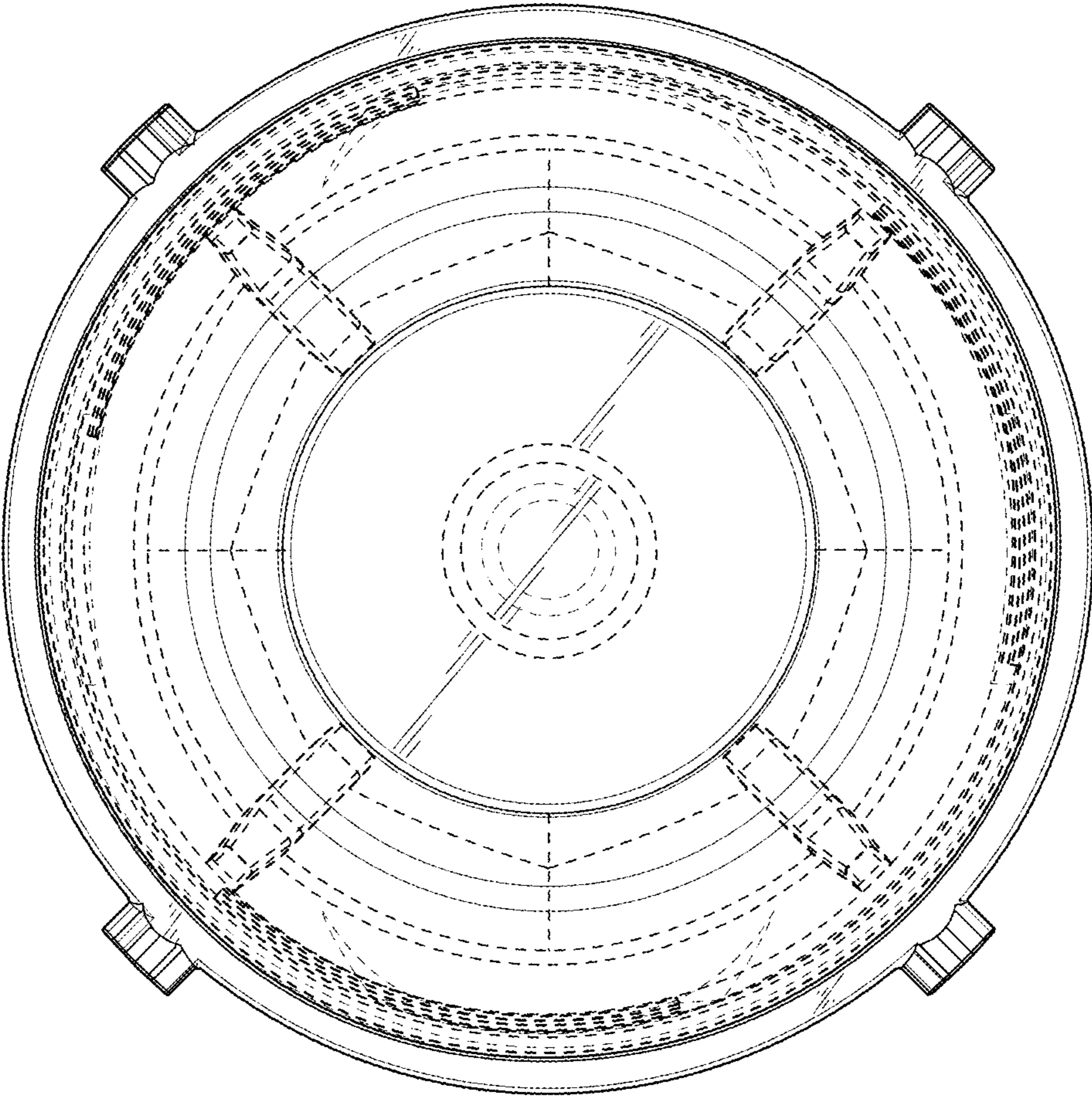


FIG. 7