



US00D788525S

(12) **United States Design Patent** (10) **Patent No.:** **US D788,525 S**
Parrish et al. (45) **Date of Patent:** **** Jun. 6, 2017**

- (54) **KETTLE GRILL ACCESSORY**
- (71) Applicant: **ADRENALINE BARBECUE COMPANY, LLC**, Concord, NC (US)
- (72) Inventors: **Michael David Parrish**, Concord, NC (US); **Aaron Michael Lyons**, Farwell, MI (US)
- (73) Assignee: **Adrenaline Barbecue Company, LLC**, Concord, NC (US)
- (**) Term: **15 Years**
- (21) Appl. No.: **29/563,560**
- (22) Filed: **May 5, 2016**

Related U.S. Application Data

- (63) Continuation of application No. 14/996,982, filed on Jan. 5, 2016.
- (51) **LOC (10) Cl.** **07-02**
- (52) **U.S. Cl.**
USPC **D7/409; D7/354**
- (58) **Field of Classification Search**
USPC D7/323, 332, 335-337, 354-355, D7/359-364, 387-388, 402, 407-409, D7/587, 698; D34/27
CPC A21B 2/00; A21B 3/00; A21B 3/13; A21B 3/15; A21B 5/00; A21B 5/02; A23N 12/06; A23N 12/08; A23N 12/10; A47J 37/00; A47J 37/04; A47J 37/041; A47J 37/042; A47J 37/06; A47J 37/0688; A47J 37/0694; A47J 37/07; A47J 37/0704; A47J 37/0786; A47J 37/10; A47J 47/20; A47J 2037/00; A47J 2037/06; A47J 2037/0611; A47J 2037/07; A47J 2037/0786; A47J 2037/0795; F24C 15/10; F24C 15/12; F24C 15/14; F24C 15/16; F24C 15/164; F24C 15/18

See application file for complete search history.

- (56) **References Cited**
U.S. PATENT DOCUMENTS
D257,108 S * 9/1980 Daenen D7/587
4,966,125 A 10/1990 Stephen et al.
5,558,008 A * 9/1996 Jenkins A47J 37/0786
126/25 R
(Continued)

OTHER PUBLICATIONS

<http://vortexbbq.com>; Vortex by ThunderDome BBQ; Casa Grande, AZ; Cooking/Smoking Device; Published Prior to Jan. 15, 2016.

Primary Examiner — Ricky Pham
(74) *Attorney, Agent, or Firm* — Schwartz Law Firm, P.C.

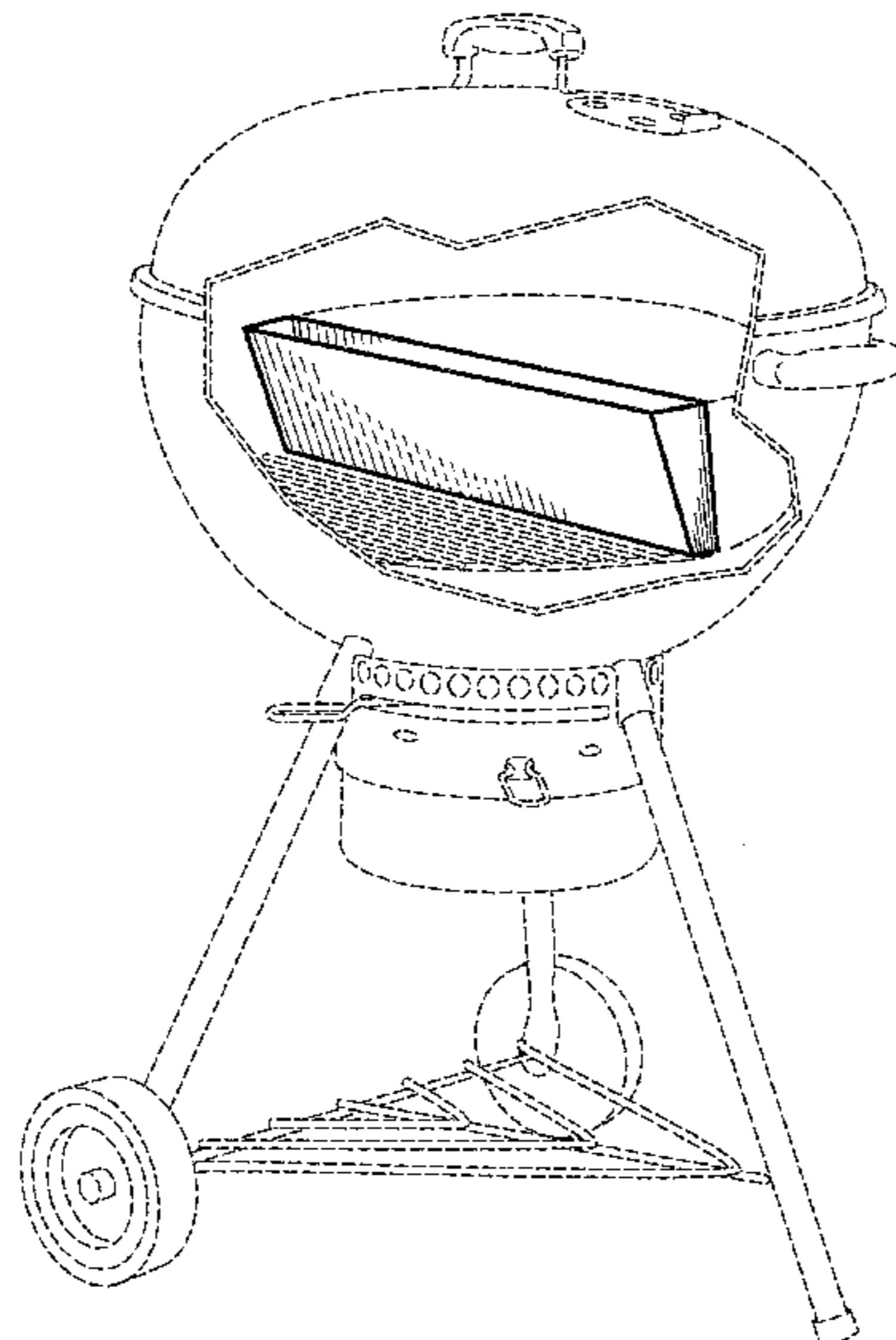
(57) **CLAIM**

We claim the ornamental design for an kettle grill accessory, as shown and described.

DESCRIPTION

FIG. 1 is an environmental perspective view of the kettle grill accessory;
FIG. 2 is a top perspective view of the kettle grill accessory;
FIG. 3 is a bottom perspective view of the kettle grill accessory;
FIG. 4 is a first side view of the kettle grill accessory;
FIG. 5 is a top view of the kettle grill accessory;
FIG. 6 is a second side view of the kettle grill accessory;
FIG. 7 is a bottom view of the kettle grill accessory;
FIG. 8 is a first end view of the kettle grill accessory; and,
FIG. 9 is a second end view of the kettle grill accessory.
The structure of the kettle grill accessory shown in broken lines in the drawings forms no part of the claimed design. In FIG. 1, the broken lines representing a kettle grill are for environmental purposes, and likewise form no part of the claimed design.

1 Claim, 6 Drawing Sheets



(56)

References Cited

U.S. PATENT DOCUMENTS

5,678,531 A * 10/1997 Byers A47J 37/0704
126/25 R
6,065,464 A * 5/2000 Zajec A47J 37/0786
126/25 B
6,155,248 A 12/2000 Schlosser et al.
D467,698 S * 12/2002 Holbrook D34/27
6,688,301 B1 * 2/2004 McNeill A47J 37/0786
126/25 B
D614,915 S * 5/2010 Schnitman D7/409
D623,006 S * 9/2010 Alden D7/354
7,832,330 B1 * 11/2010 Thompson A47J 37/0704
126/163 R
D640,500 S * 6/2011 Button D7/362
D645,295 S * 9/2011 Klesath D7/354
D671,806 S * 12/2012 Kaufmann D7/698
D717,597 S * 11/2014 Henry D7/363

* cited by examiner

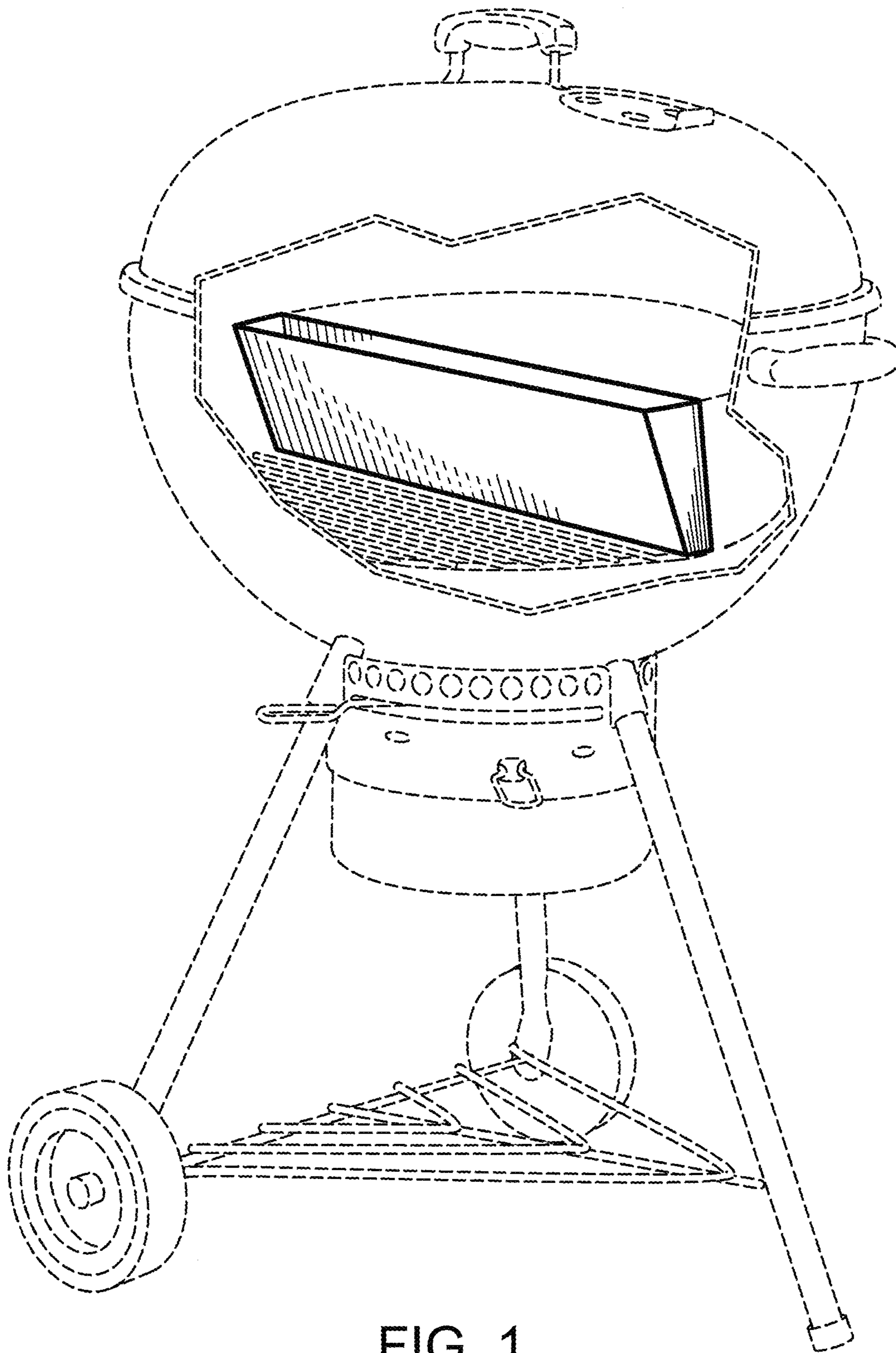


FIG. 1

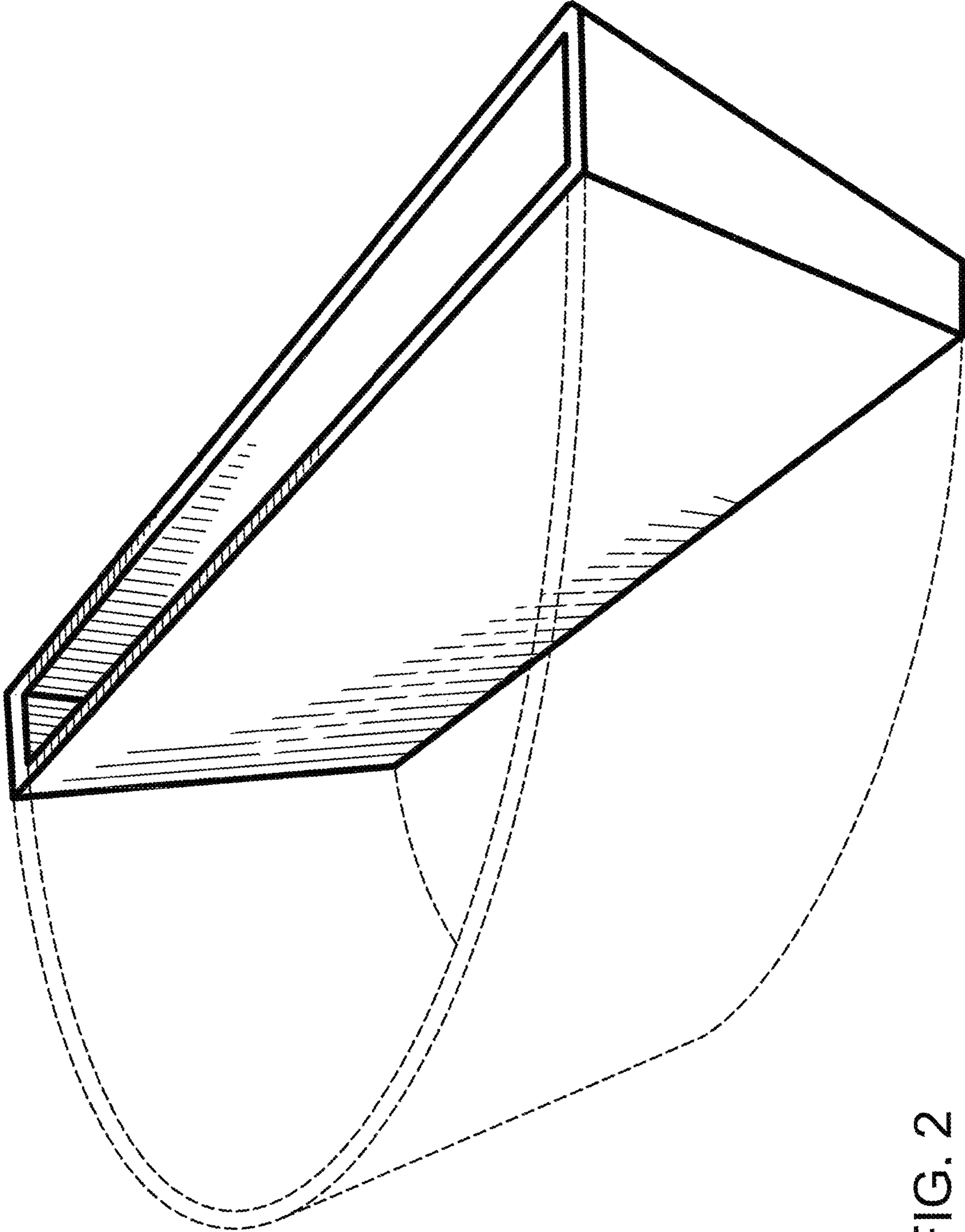


FIG. 2

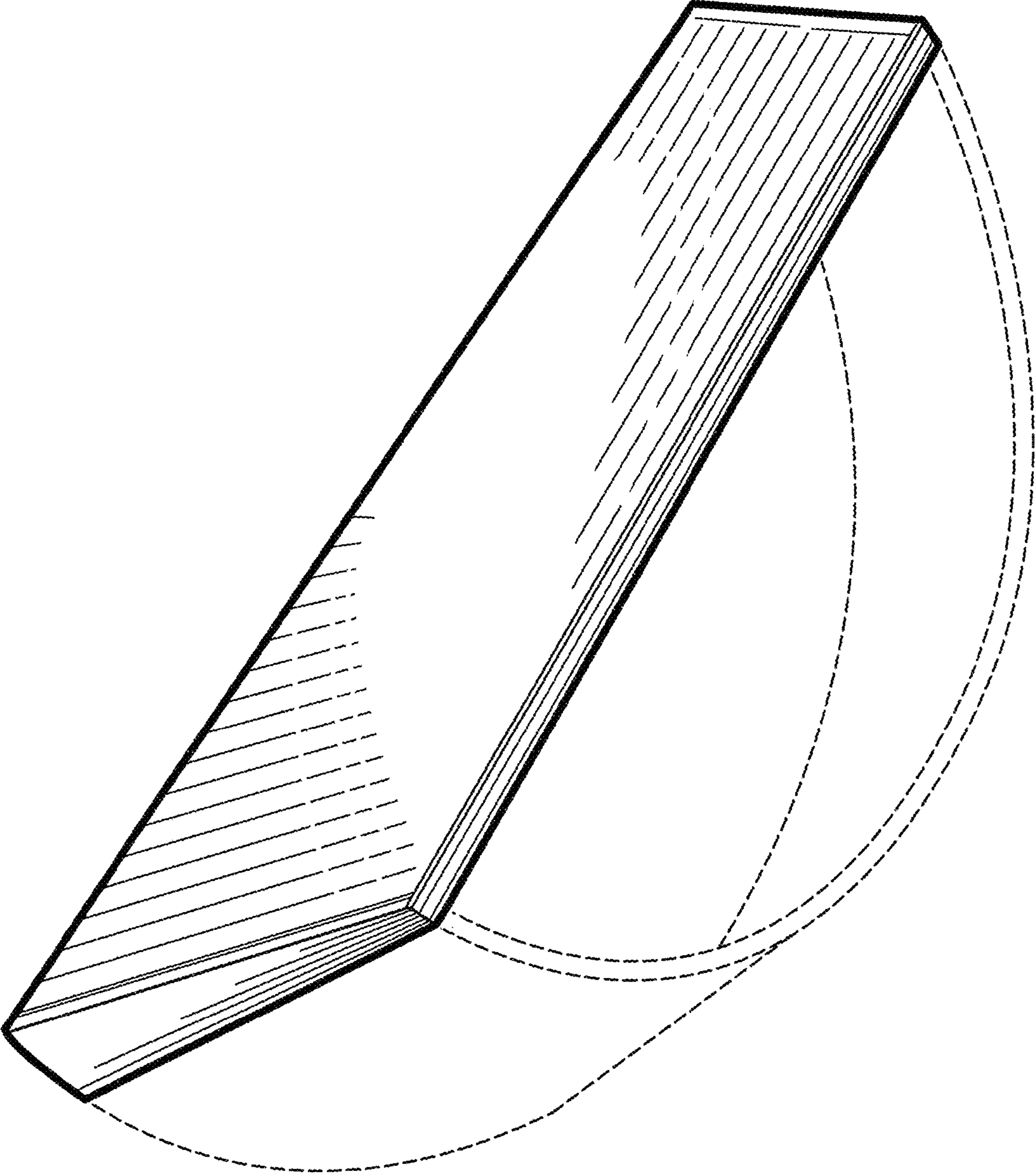


FIG. 3



FIG. 4

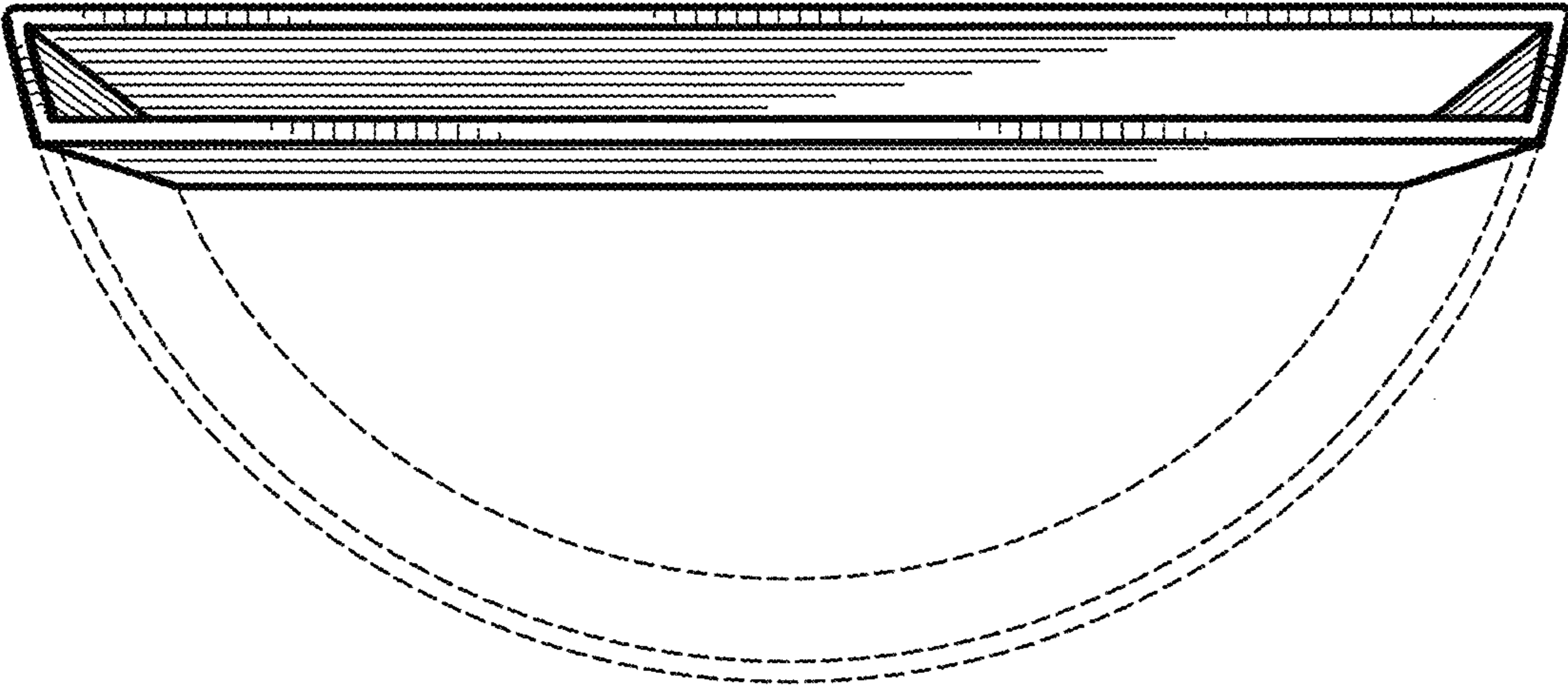


FIG. 5



FIG. 6

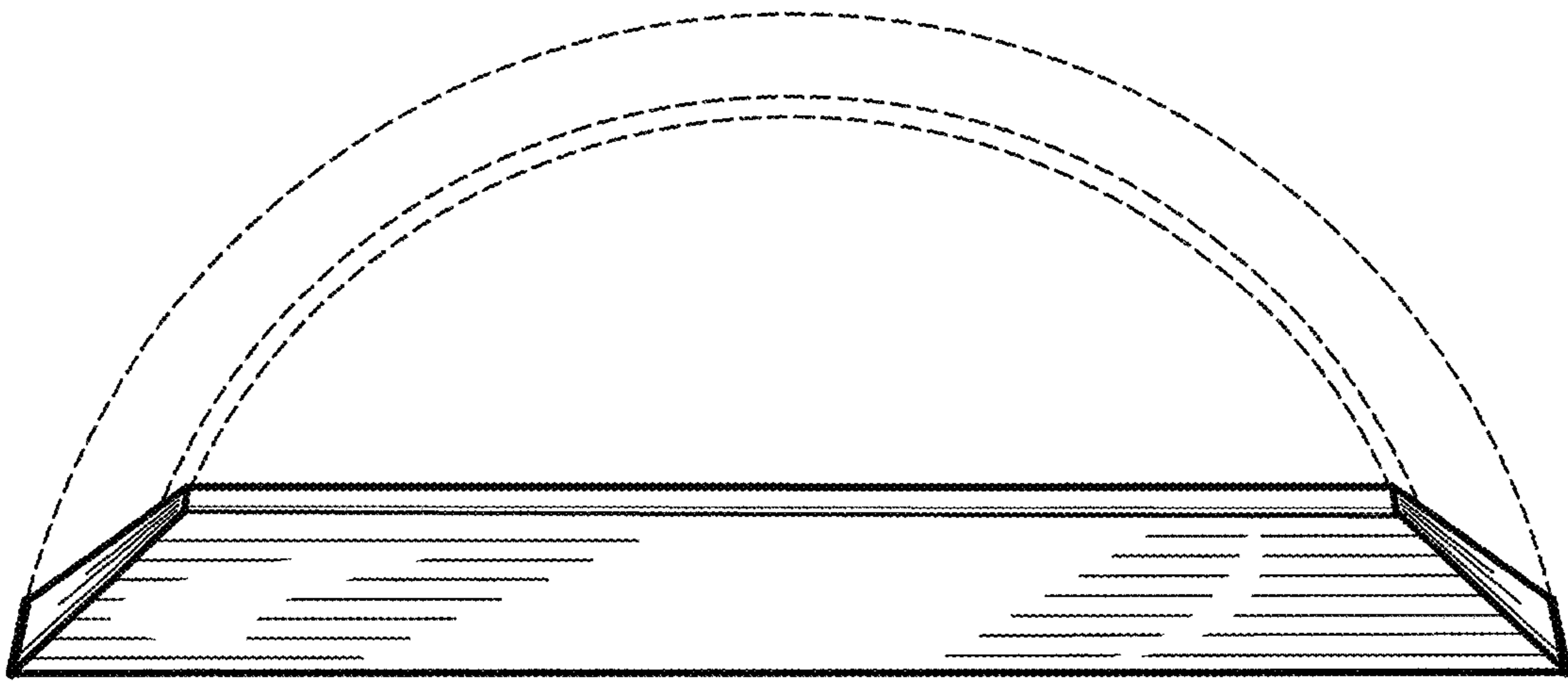


FIG. 7

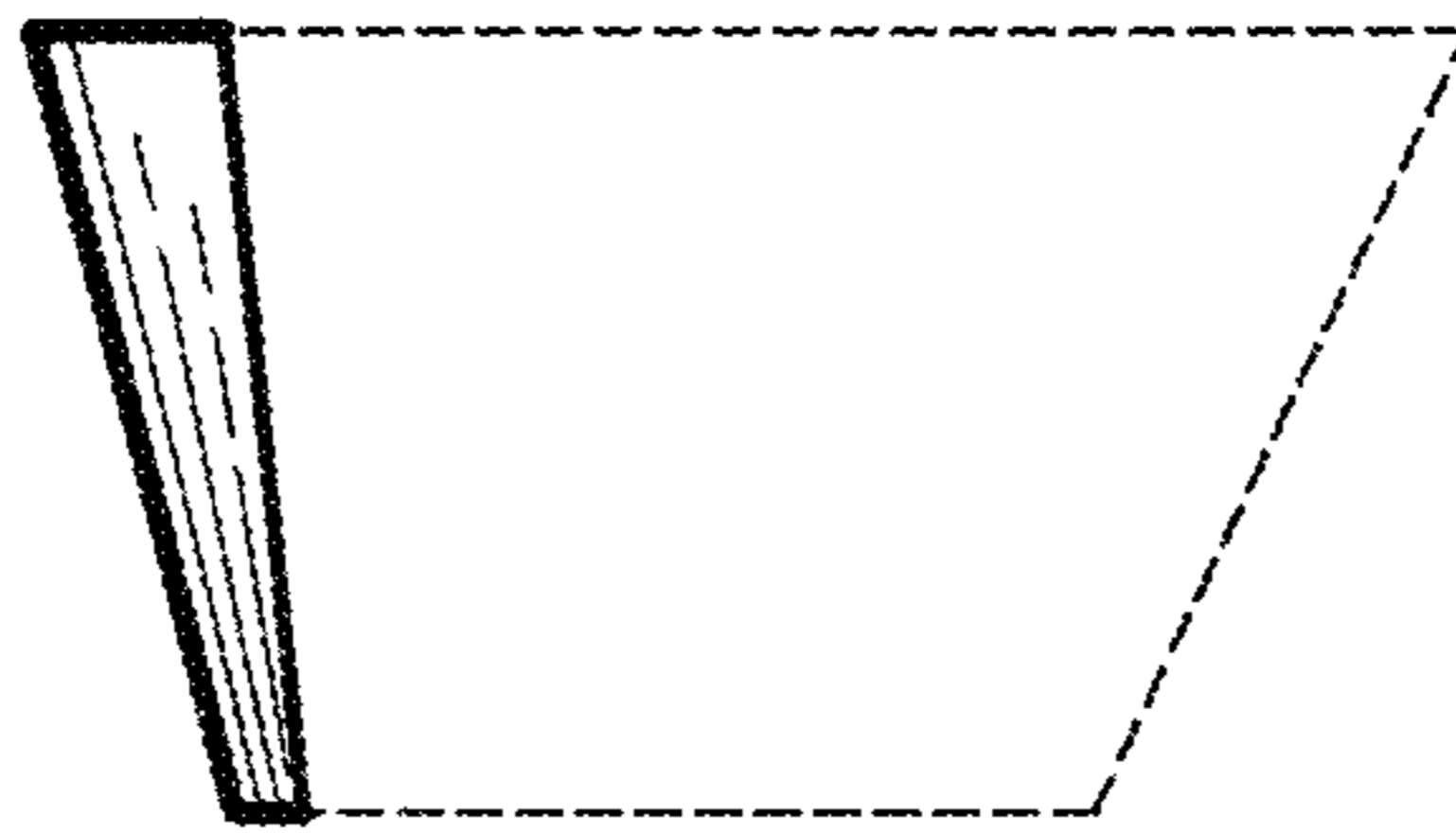


FIG. 8

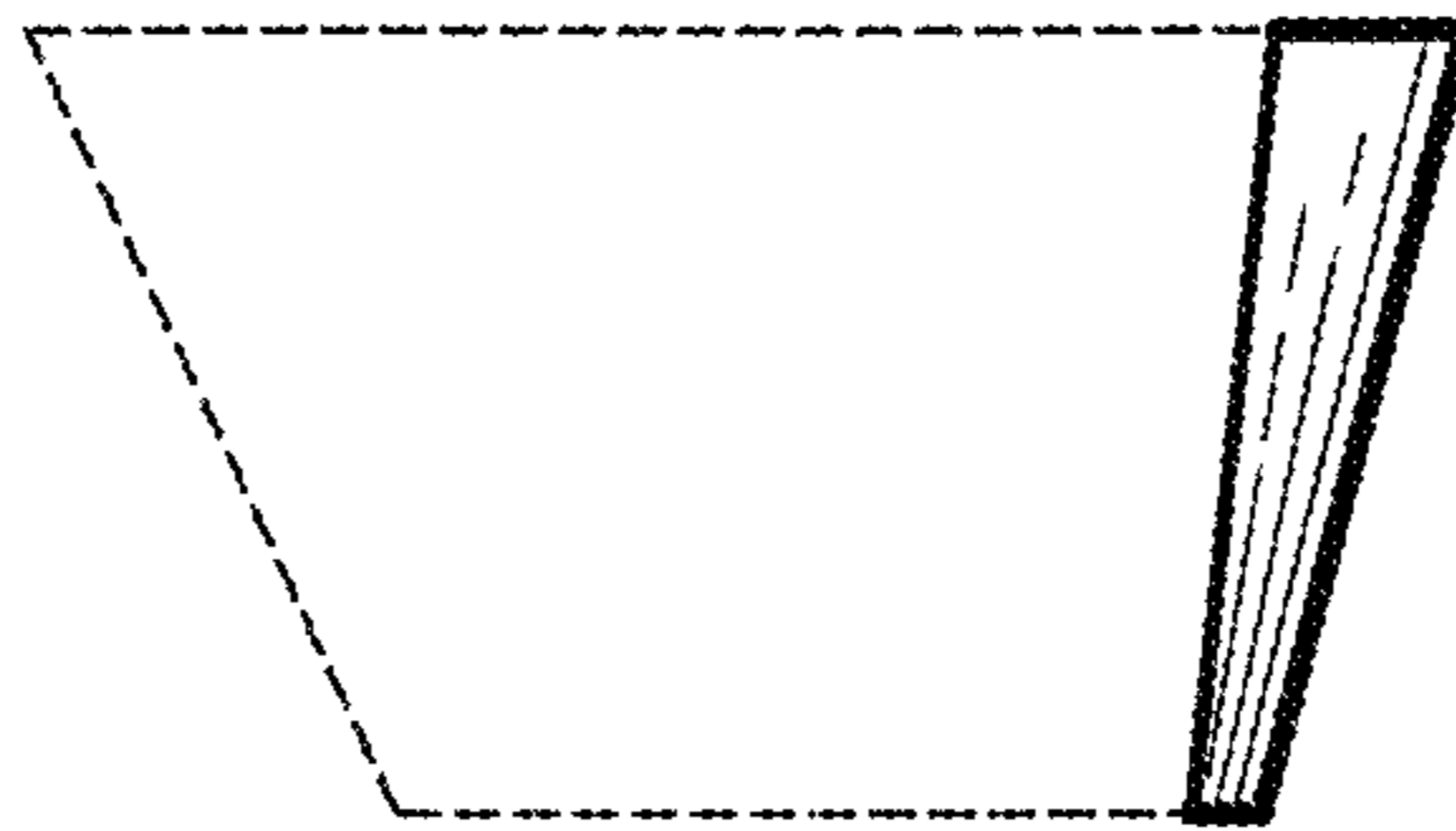


FIG. 9