



US00D788524S

(12) **United States Design Patent** (10) **Patent No.:** **US D788,524 S**
Funnell, II et al. (45) **Date of Patent:** **** *Jun. 6, 2017**

(54) **ELECTRIC RANGE**

(56) **References Cited**

(71) Applicant: **BSH Home Appliances Corporation**, Irvine, CA (US)

U.S. PATENT DOCUMENTS

(72) Inventors: **Richard W. Funnell, II**, Huntington Beach, CA (US); **Andrew Roberson**, Long Beach, CA (US); **Graham Sadtler**, Huntington Beach, CA (US)

D469,657 S *	2/2003	Becker	D7/405
D521,317 S *	5/2006	Hessen	D7/340
D555,976 S *	11/2007	Baldwin	D7/405
D612,685 S *	3/2010	Baker	D7/405
D697,358 S *	1/2014	Kim	D7/340
D731,844 S *	6/2015	Kim	D7/340
D736,027 S *	8/2015	Funnell, II	D7/339
D736,553 S *	8/2015	Funnell, II	D7/339
D750,413 S *	3/2016	Funnell, II	D7/348
D755,558 S *	5/2016	Lee	D7/340
D767,325 S *	9/2016	Funnell, II	D7/346
2010/0006085 A1 *	1/2010	Thomas	F24C 15/325 126/21 A

(73) Assignee: **BSH Home Appliances Corporation**, Irvine, CA (US)

(*) Notice: This patent is subject to a terminal disclaimer.

(**) Term: **15 Years**

* cited by examiner

(21) Appl. No.: **29/544,957**

Primary Examiner — Sheryl Lane

(22) Filed: **Nov. 9, 2015**

Assistant Examiner — Nicole Shiflet

(74) *Attorney, Agent, or Firm* — Michael E. Tschupp; Andre Pallapies

Related U.S. Application Data

(62) Division of application No. 29/456,405, filed on May 31, 2013, now Pat. No. Des. 750,413.

(51) **LOC (10) Cl.** **07-02**

(52) **U.S. Cl.**
USPC **D7/406**

(58) **Field of Classification Search**
USPC D7/332-351, 362-367, 402-409
CPC F24C 3/00; F24C 3/08; F24C 3/008; F24C 15/00; F24C 15/001; H05B 6/763; H05B 6/6414; H05B 6/6408; Y02B 40/143; Y02B 40/146

See application file for complete search history.

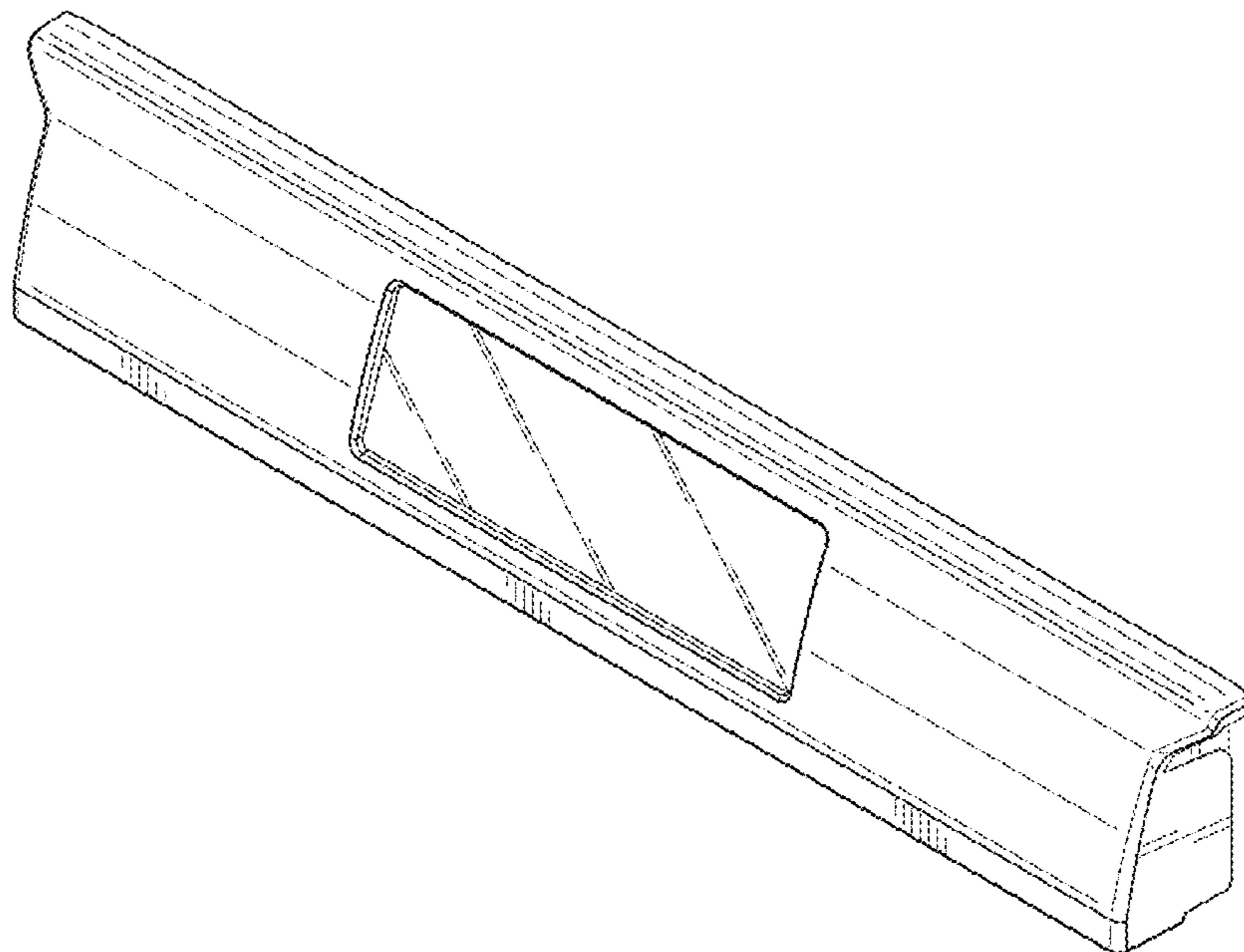
(57) **CLAIM**

The ornamental design for an electric range, as shown and described.

DESCRIPTION

FIG. 1 is a front perspective view of a control panel for electric range showing our new ornamental design; FIG. 2 a front view thereof; FIG. 3 is a top view thereof; and, FIG. 4 is a right side view thereof, with the left side view thereof being a mirror image thereof. The broken lines represent environment and form no part of the claimed design.

1 Claim, 2 Drawing Sheets



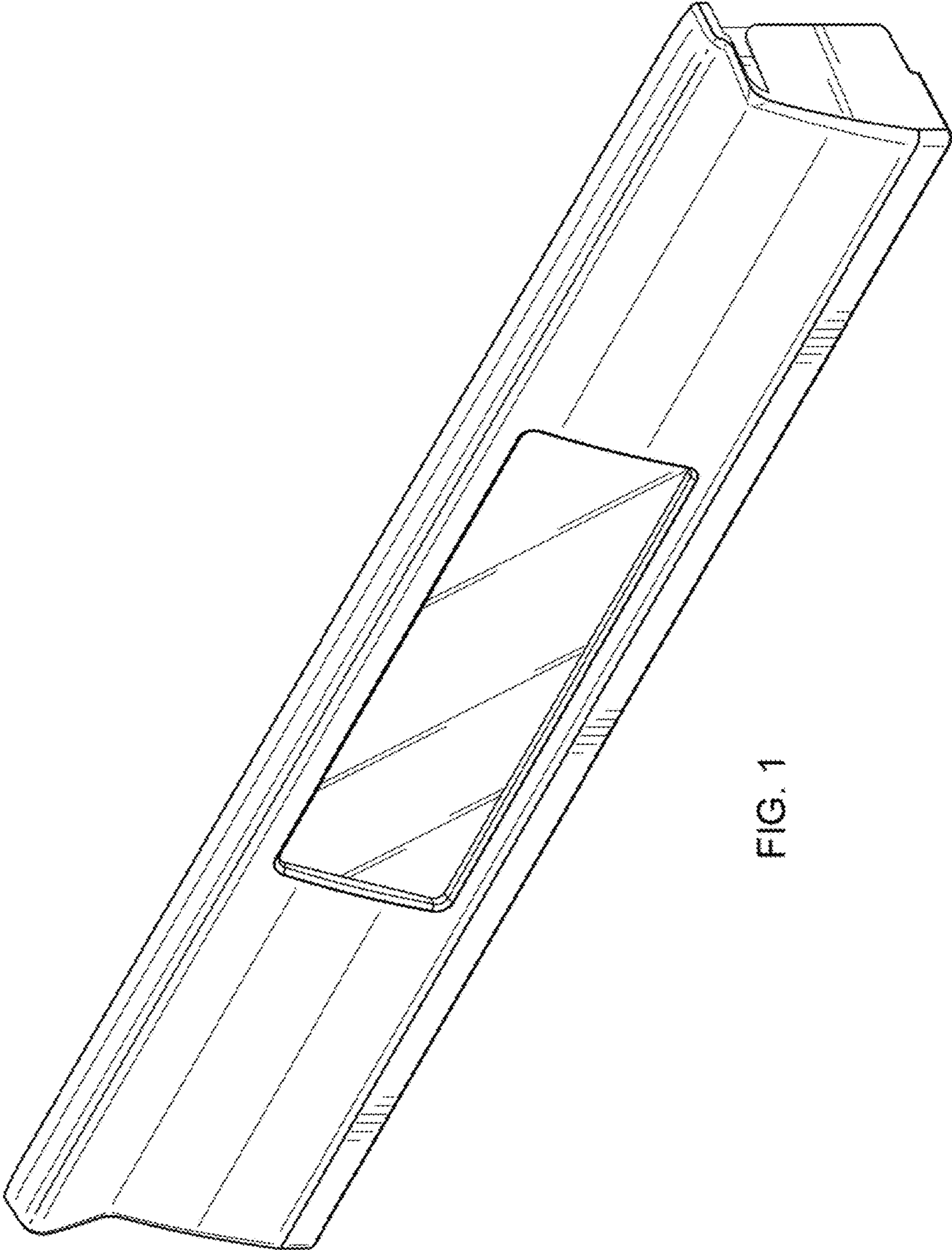


FIG. 1

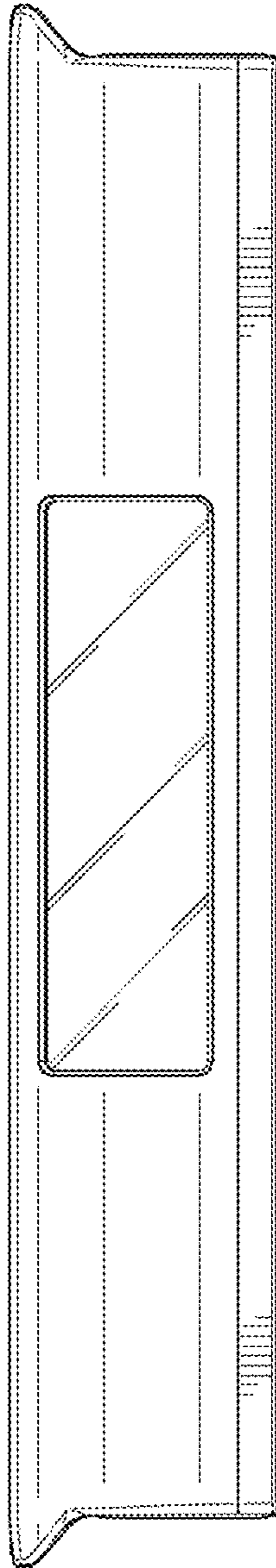


FIG. 2

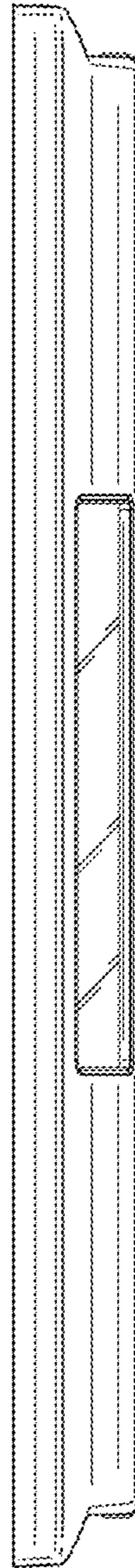


FIG. 3

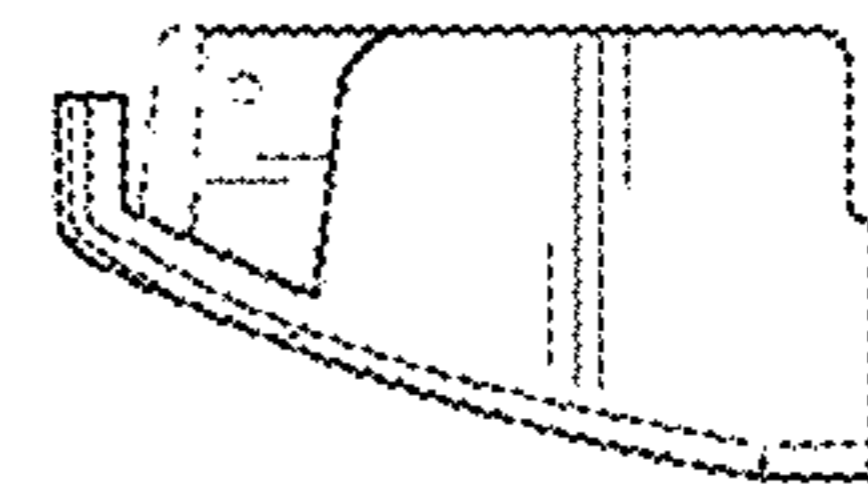


FIG. 4