



US00D788523S

(12) **United States Design Patent** (10) **Patent No.:** **US D788,523 S**
Benoit et al. (45) **Date of Patent:** **** Jun. 6, 2017**

(54) **APPLIANCE RECESSED WINDOW BEZEL**

(56)

References Cited

(71) Applicant: **Whirlpool Corporation**, Benton Harbor, MI (US)

(72) Inventors: **Kaitlyn M. Benoit**, St. Joseph, MI (US); **Michael A. Kahwaji**, St. Joseph, MI (US); **Brandon T. Mock**, St. Joseph, MI (US); **Jason W. Tippetts**, Stevensville, MI (US)

(73) Assignee: **Whirlpool Corporation**, Benton Harbor, MI (US)

U.S. PATENT DOCUMENTS

3,070,085	A	12/1960	Mills	
3,177,334	A	4/1965	Kinkle	
4,033,321	A	7/1977	Krebs	
4,041,930	A	8/1977	Katona	
4,102,322	A	7/1978	Doner	
D249,009	S *	8/1978	Grove	D7/407
5,571,276	A	11/1996	Kobos et al.	
6,420,690	B1	7/2002	Kim	
D513,065	S *	12/2005	Luong	D23/307
8,393,319	B2	3/2013	Hoffmeier	
2007/0023029	A1	2/2007	Kelley et al.	
2007/0029901	A1	2/2007	Becke	

(**) Term: **14 Years**

* cited by examiner

(21) Appl. No.: **29/483,020**

Primary Examiner — Zenia Bennett

(22) Filed: **Feb. 25, 2014**

(74) *Attorney, Agent, or Firm* — Price Heneveld LLP

(51) **LOC (10) Cl.** **07-02**

(52) **U.S. Cl.**
USPC **D7/405**

(57) **CLAIM**

We claim the ornamental design for an appliance recessed window bezel, as shown and described.

(58) **Field of Classification Search**

USPC D7/339–341, 346, 354–361, 388, 402, D7/408–409; D23/346–347, 397; 126/211, 275 R; 99/385, 402, 403, 427, 99/449–450, 421 A, 421 H, 421 R; 220/491, 912

CPC F24C 1/10; F24C 3/00; F24C 15/00; F24C 15/001

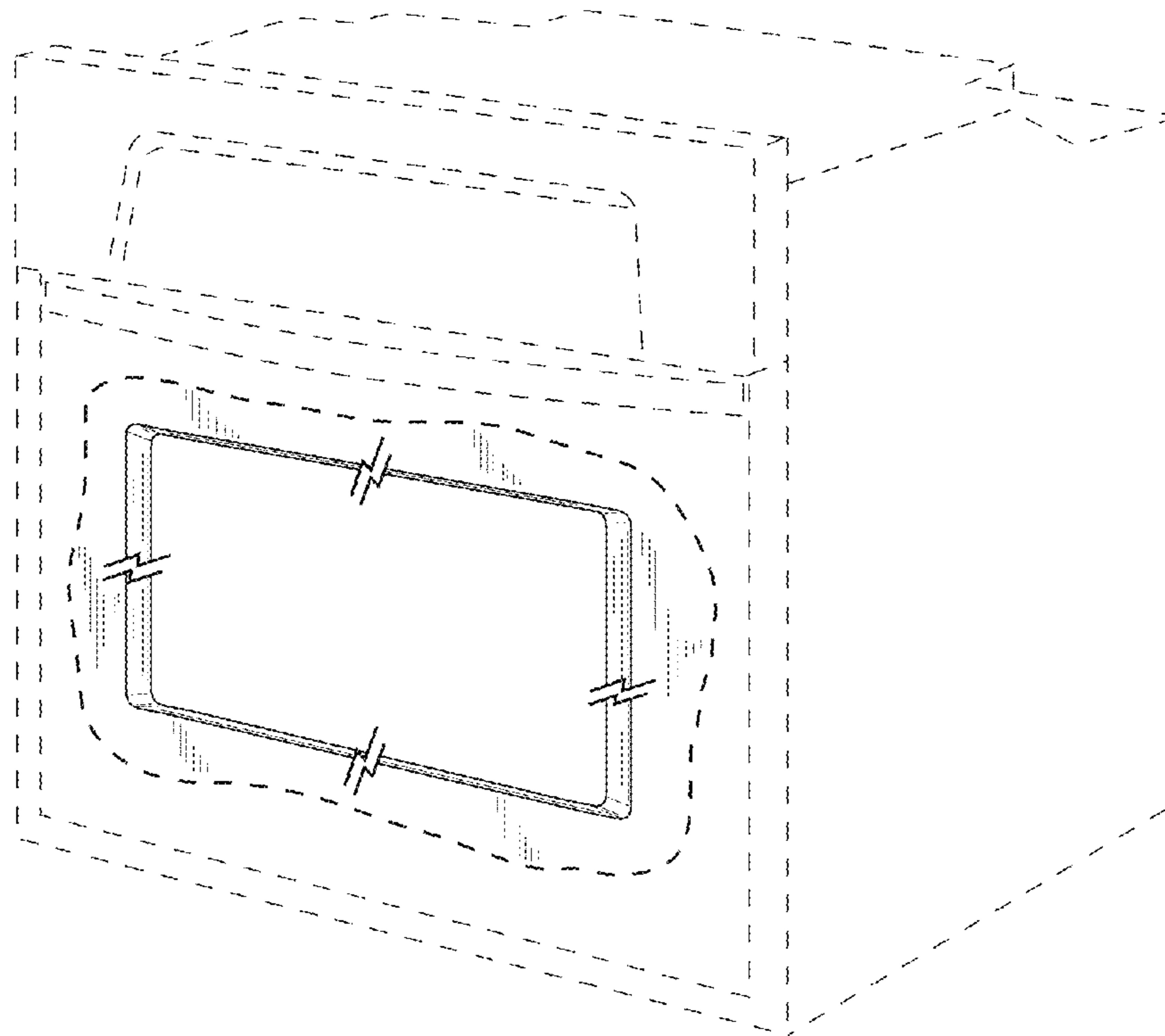
DESCRIPTION

FIG. 1 is a front perspective view of an appliance recessed window bezel of the present disclosure; and, FIG. 2 is a front elevational view of the appliance recessed window bezel of FIG. 1.

The broken lines are for illustrative purposes only and form no part of the claimed design.

See application file for complete search history.

1 Claim, 2 Drawing Sheets



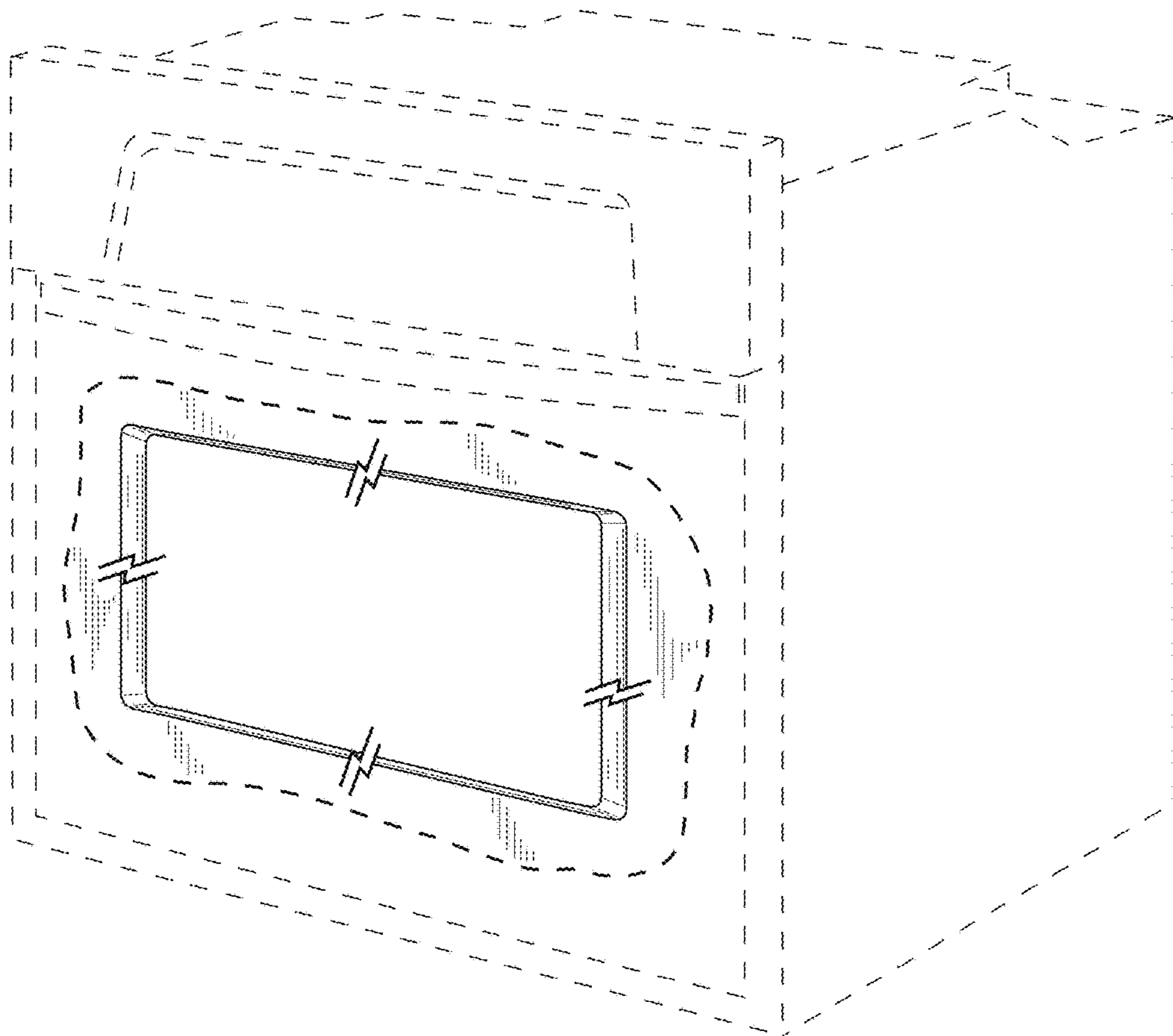


FIG. 1

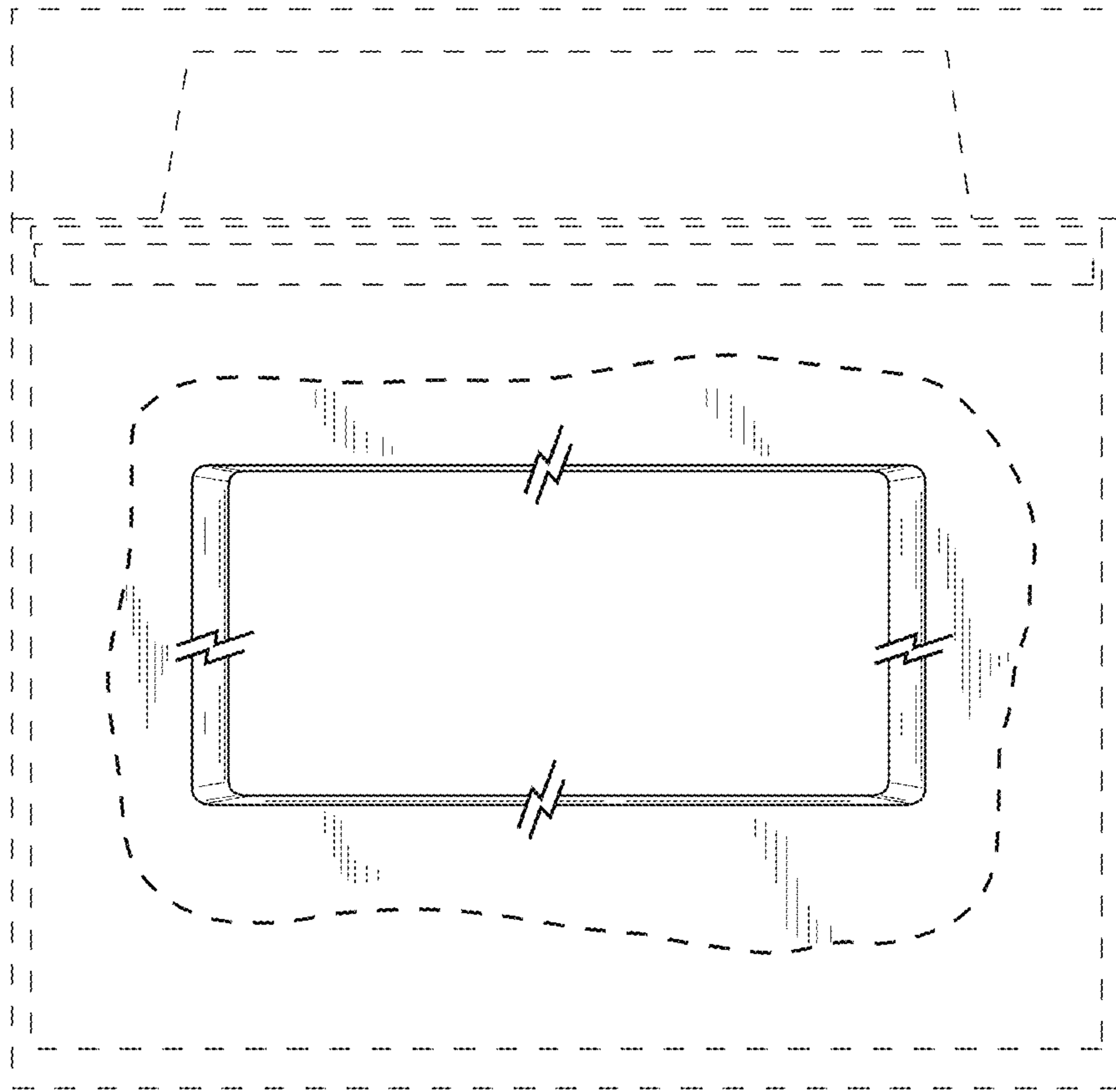


FIG. 2