



US00D788520S

(12) **United States Design Patent** (10) **Patent No.:** **US D788,520 S**
Blaise (45) **Date of Patent:** **** Jun. 6, 2017**

(54) **ELECTRIC BLENDER**
(71) Applicant: **SEB DO BRASIL PRODUTOS DOMÉSTICOS LTDA**, São Bernardo do Campo (BR)
(72) Inventor: **Nicolas Blaise**, Caen (FR)
(73) Assignee: **SEB DO BRASIL PRODUTOS DOMÉSTICOS LTDA**, São Bernardo do Campo, SP (BR)
(**) Term: **15 Years**

D339,715 S * 9/1993 Barrault D7/378
D417,815 S * 12/1999 Endres D7/386
D423,872 S * 5/2000 Blaise D7/378
D484,357 S * 12/2003 Seum D7/378
D488,344 S * 4/2004 Seum D7/384
D493,329 S * 7/2004 Feil D7/378
D502,047 S * 2/2005 Ledingham D7/384
D526,531 S * 8/2006 Drees D7/378
D533,395 S * 12/2006 Drees D7/378
D542,085 S * 5/2007 Reyes D7/386
D552,419 S * 10/2007 Picozza D7/412
D556,506 S * 12/2007 Spagnolo D7/378
D568,096 S * 5/2008 Sun D7/378
D577,537 S * 9/2008 Lee D7/378
D578,340 S * 10/2008 Picozza D7/378
D581,750 S * 12/2008 de Groote D7/597

(21) Appl. No.: **29/550,731**

(22) Filed: **Jan. 6, 2016**

(30) **Foreign Application Priority Data**

Jul. 29, 2015 (BR) 30 2015 003541 2

(51) **LOC (10) Cl.** **31-00**

(52) **U.S. Cl.**
USPC **D7/378; D7/376; D7/386; D7/384**

(58) **Field of Classification Search**
USPC D7/323, 372-381, 383-384, 386-387, D7/393, 402-415, 602, 629, 694
CPC .. A21C 1/02; A21C 1/04; A47J 43/044; A47J 43/046; A47J 43/075; A47J 43/0722; A47J 43/0727; A47J 43/07; A23N 1/00; A23N 1/02; B01F 3/00
See application file for complete search history.

(56) **References Cited**

U.S. PATENT DOCUMENTS

D181,541 S 11/1957 Madl et al.
D187,684 S 4/1960 Hauser
D200,494 S 3/1965 Bezark
D204,117 S 3/1966 Di Sesa
3,548,280 A 12/1970 Cockroft

(Continued)

Primary Examiner — Caron D Veynar
Assistant Examiner — Mehri Bajoul

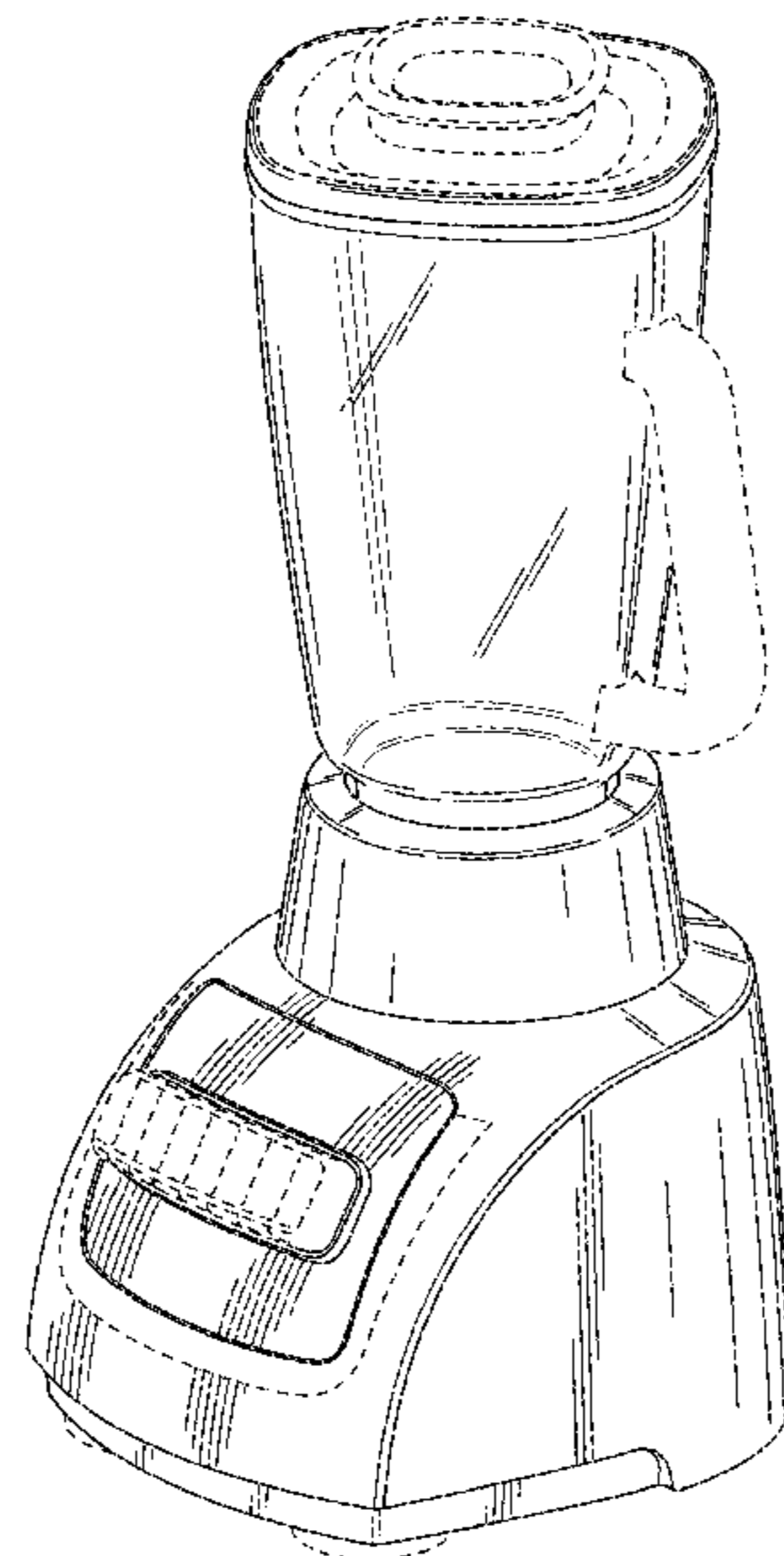
(57) **CLAIM**

The ornamental design for an electric blender, as shown and described.

DESCRIPTION

FIG. 1 is a perspective view of an embodiment of an electric blender showing my new design;
FIG. 2 is a front elevational view of the electric blender of FIG. 1;
FIG. 3 is a rear elevational view of the electric blender of FIG. 1;
FIG. 4 is a right side elevational view of the electric blender of FIG. 1;
FIG. 5 is a left side elevational view of the electric blender of FIG. 1;
FIG. 6 is a top view of the electric blender of FIG. 1; and,
FIG. 7 is a bottom view of the electric blender of FIG. 1.
The broken lines shown in the figure drawings are for the purpose of illustration and form no part of the claimed design.

1 Claim, 7 Drawing Sheets



(56)

References Cited

U.S. PATENT DOCUMENTS

D587,961 S *	3/2009	Lavy	D7/378	D702,078 S	4/2014	Coakley et al.	
7,581,688 B2 *	9/2009	Mally	A47J 43/042	D731,234 S	6/2015	Weaden et al.	
				241/30	D731,235 S *	6/2015	Bradley D7/376
D605,462 S *	12/2009	Picozza	D7/378	D747,135 S *	1/2016	Ha D7/376
D611,760 S *	3/2010	Ball	D7/378	D749,893 S *	2/2016	Bazzicalupo D7/376
D616,244 S	5/2010	Thai et al.			D758,787 S	6/2016	Ou	
D617,136 S *	6/2010	Bock	D7/378	D769,061 S *	10/2016	Diderotto D7/376
D637,870 S *	5/2011	Bock	D7/378	D773,247 S *	12/2016	Barquin D7/376
D642,857 S	8/2011	Bodum			D773,248 S *	12/2016	Barquin D7/376
D642,858 S	8/2011	Lazzer			2003/0213373 A1 *	11/2003	Dickson, Jr. A47J 43/0716
D644,480 S *	9/2011	Czach	D7/376				99/348
D655,981 S *	3/2012	Gursel	D7/376	2008/0089171 A1 *	4/2008	Larsen A47J 43/046
D658,430 S *	5/2012	Hoare	D7/376				366/206
D690,152 S	9/2013	Palermo et al.			2011/0265665 A1 *	11/2011	Goncalves A47J 43/0722
D694,573 S *	12/2013	Norland	D7/376				99/538
D694,574 S *	12/2013	Norland	D7/376	2014/0061344 A1 *	3/2014	Conti A47J 43/0722
D694,582 S *	12/2013	Norland	D7/376				241/100
D694,583 S *	12/2013	Norland	D7/376	2014/0217216 A1 *	8/2014	Audette A47J 43/0722
								241/100

* cited by examiner

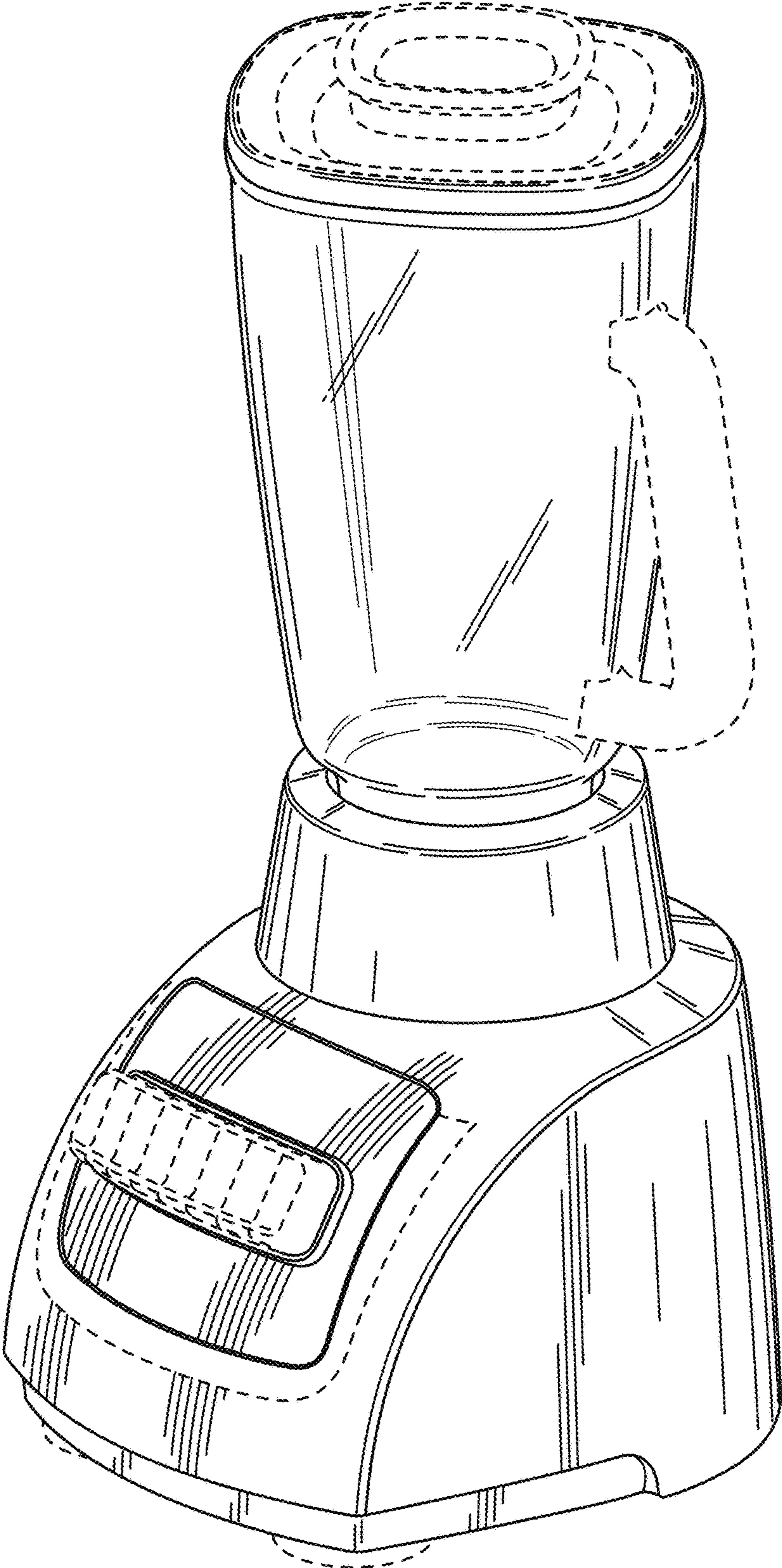


FIG. 1

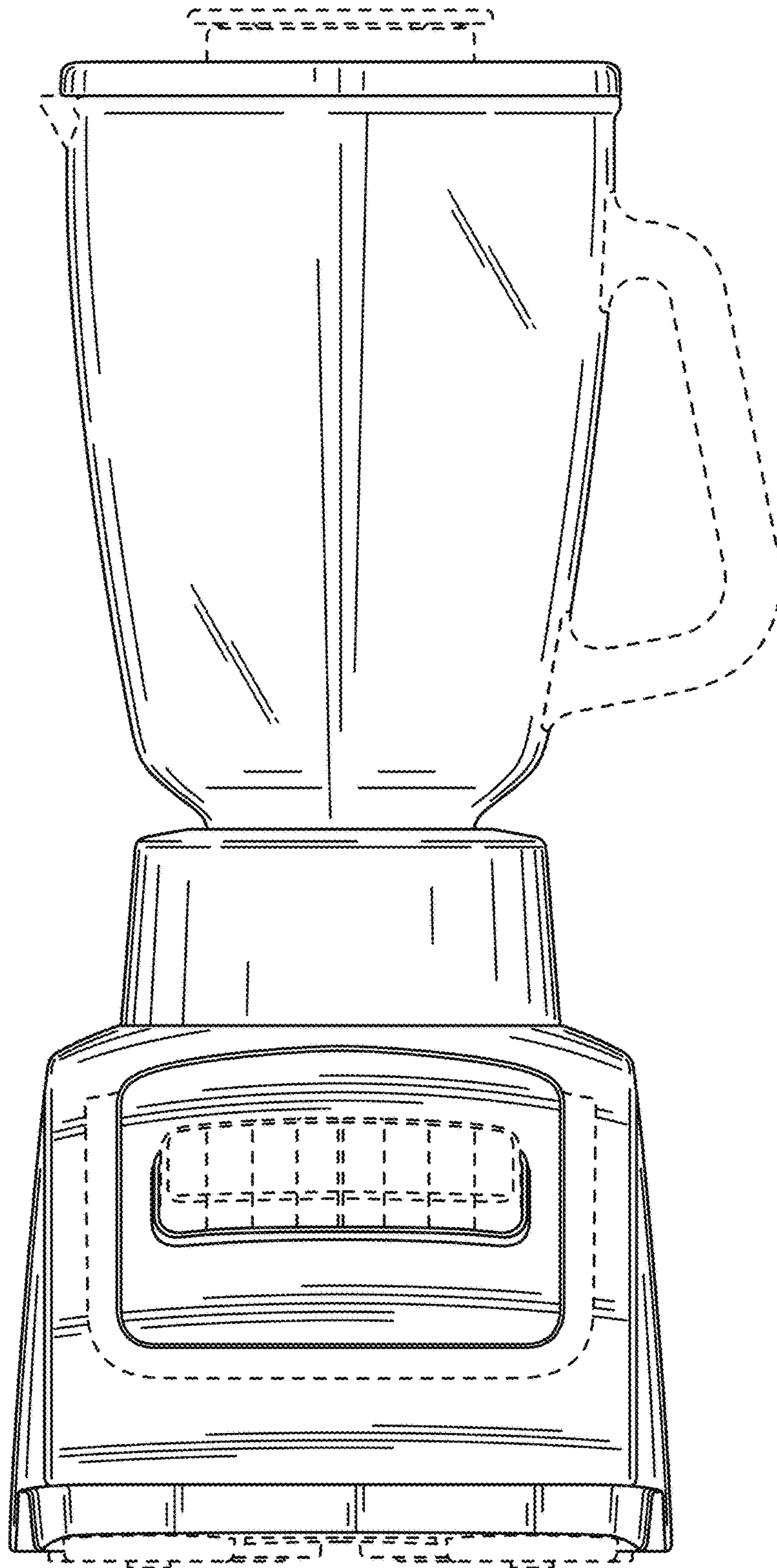


FIG. 2

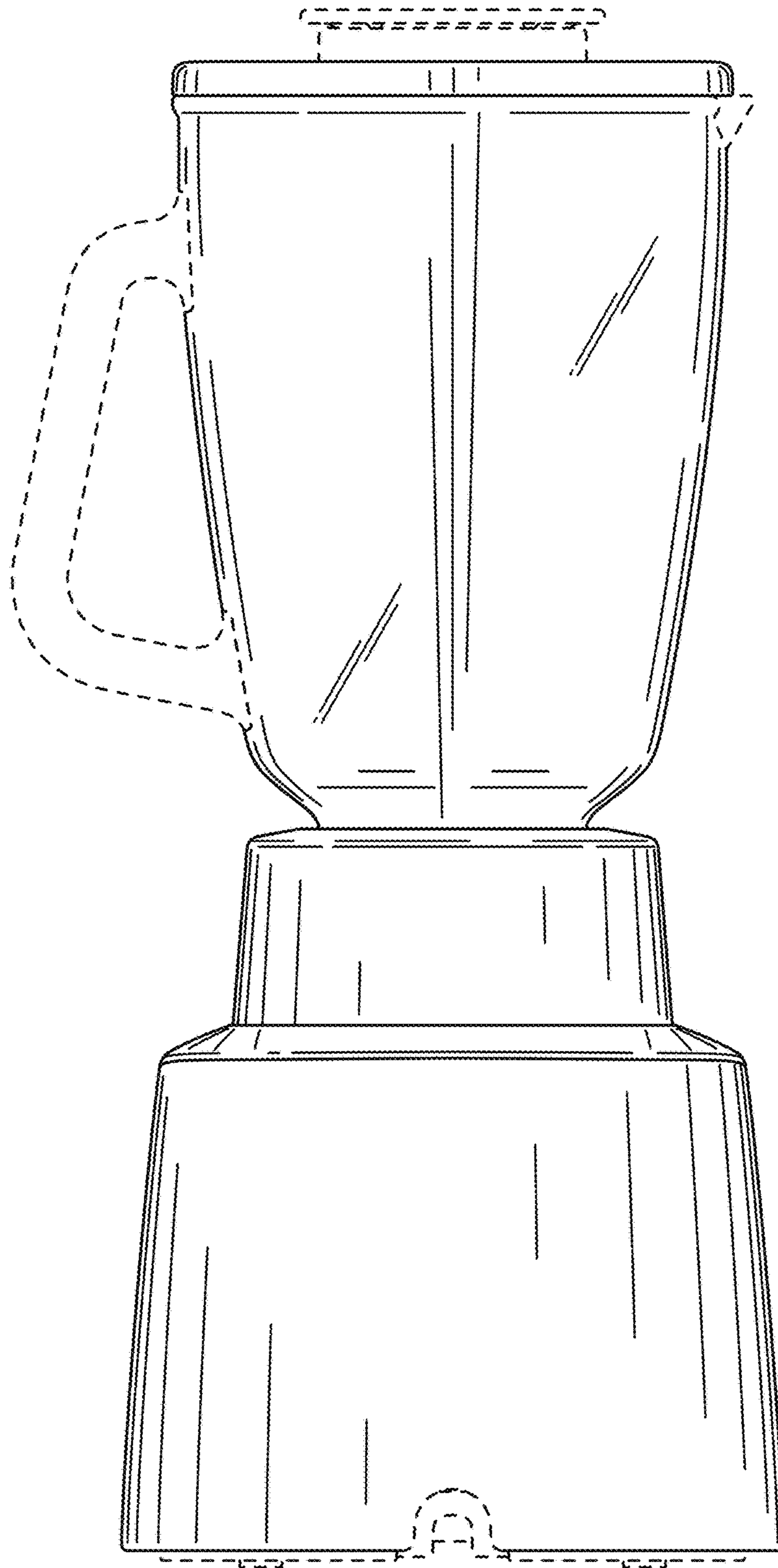


FIG. 3

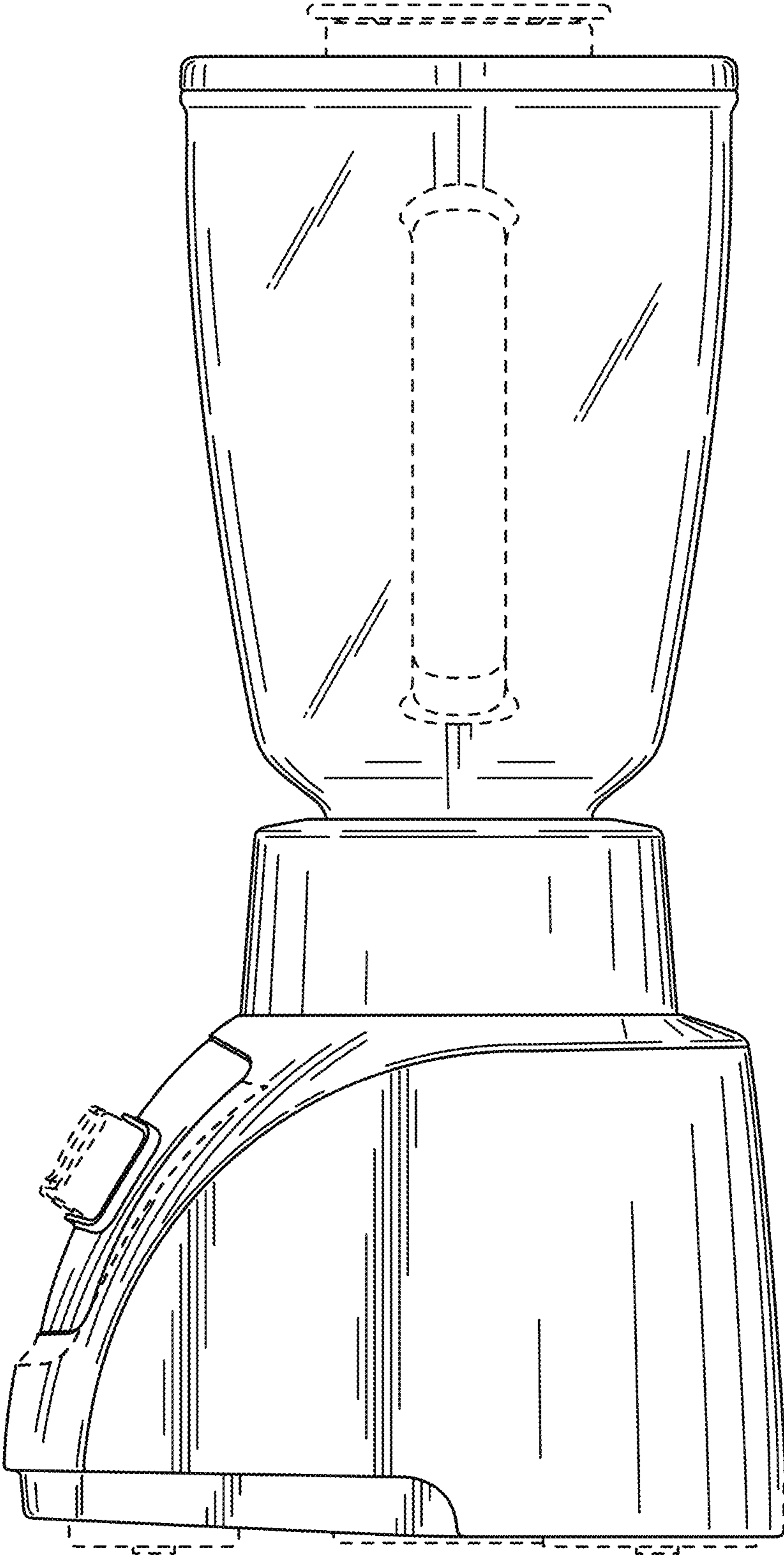


FIG. 4

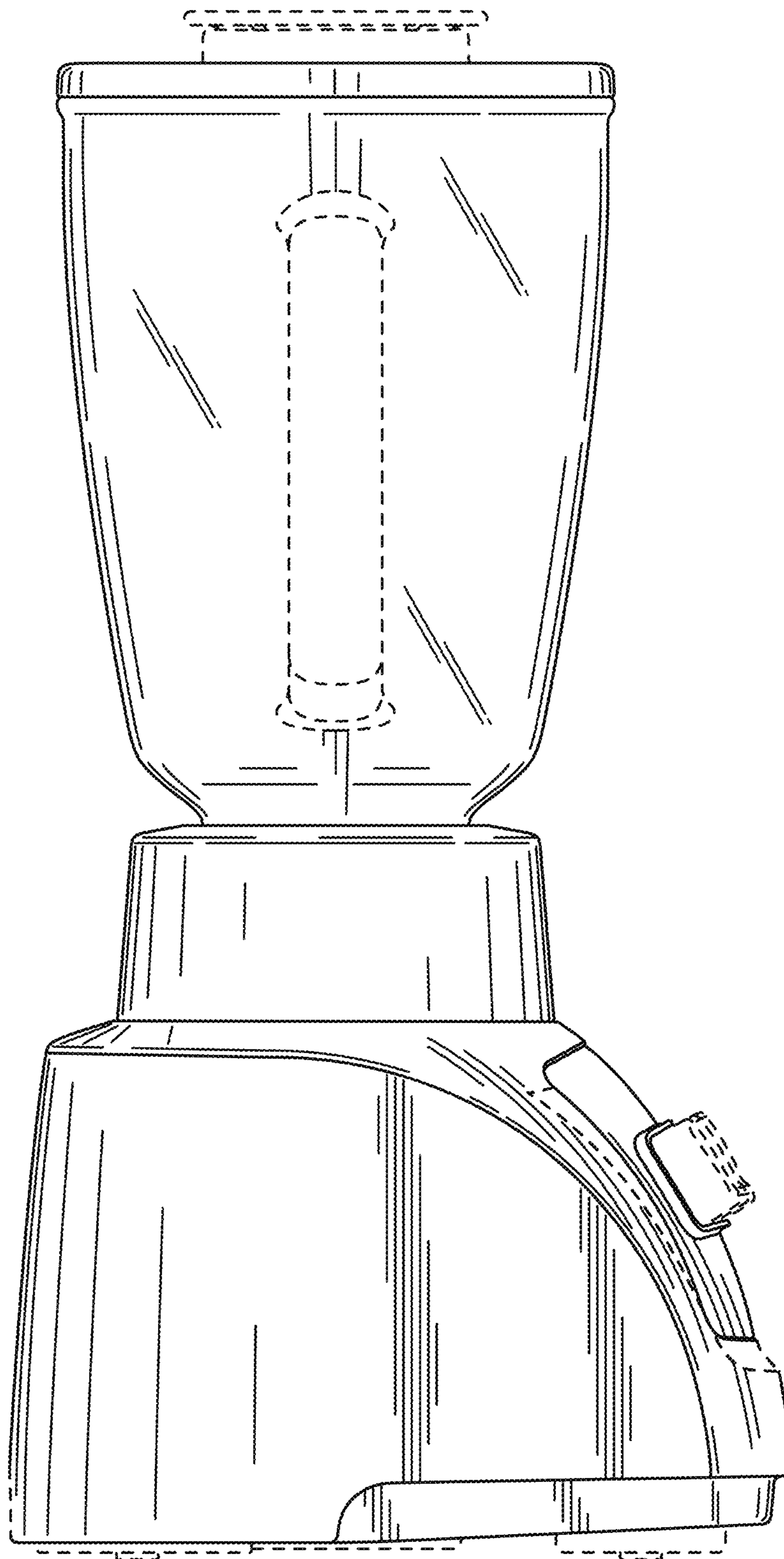


FIG. 5

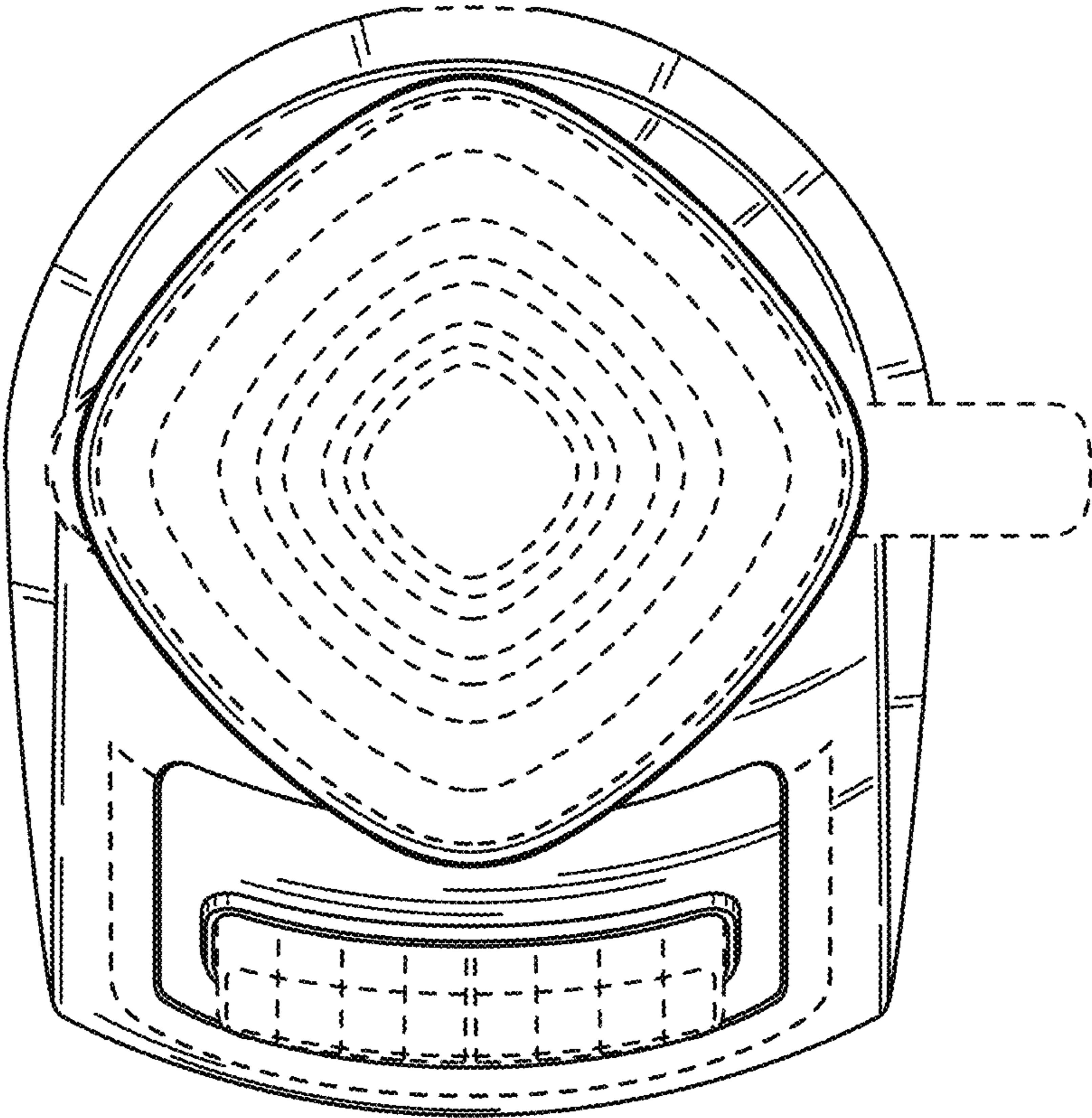


FIG. 6

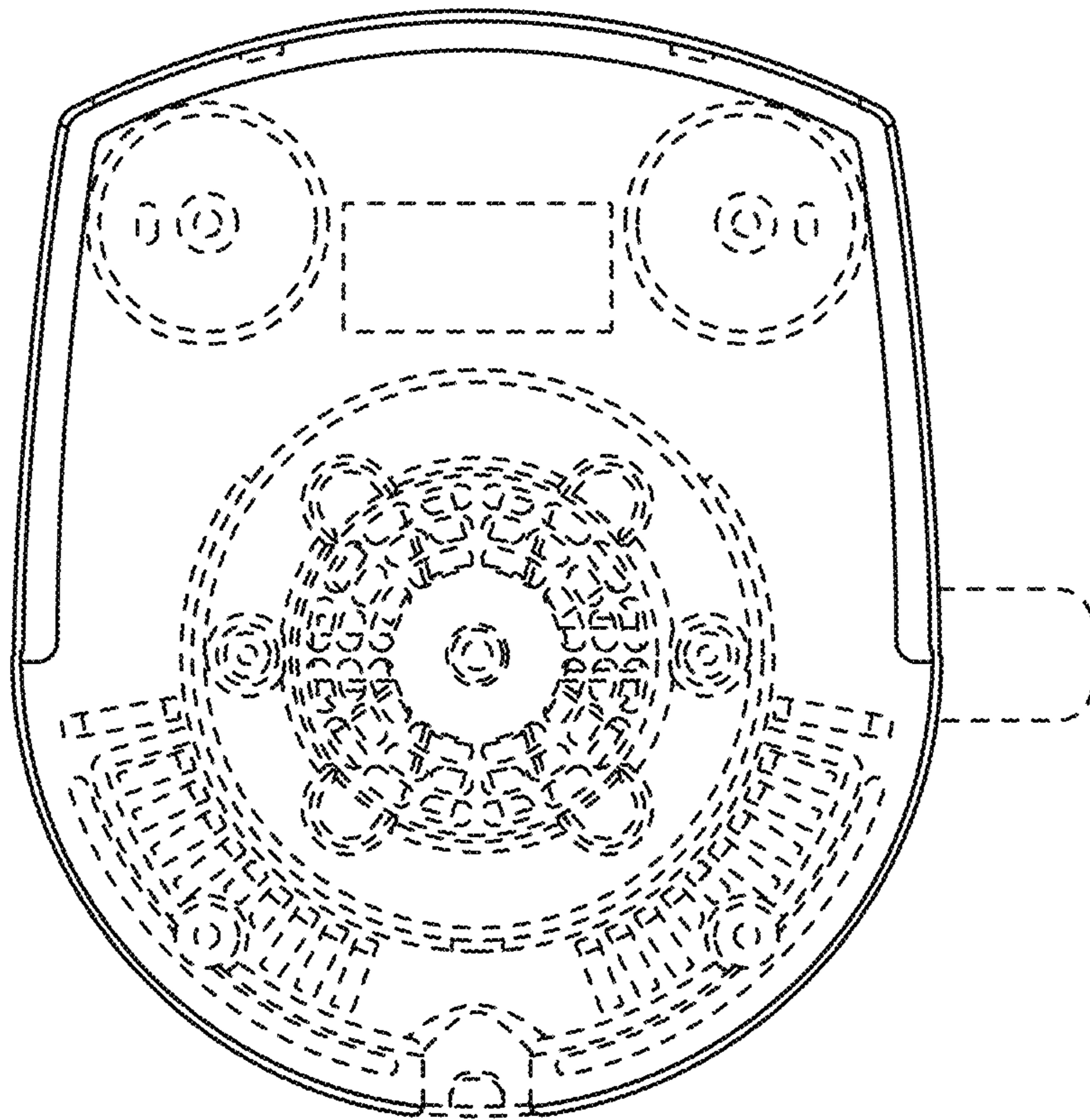


FIG. 7