



US00D788519S

(12) **United States Design Patent**
Lin

(10) **Patent No.:** **US D788,519 S**
(45) **Date of Patent:** **** Jun. 6, 2017**

(54) **DOUGH DIVIDER-ROUNDER**
(71) Applicant: **King-Yuan Lin**, Dallas, TX (US)
(72) Inventor: **King-Yuan Lin**, Dallas, TX (US)
(**) Term: **15 Years**
(21) Appl. No.: **29/505,716**
(22) Filed: **Jan. 14, 2016**
(51) **LOC (10) Cl.** **31-00**
(52) **U.S. Cl.**
USPC **D7/368**
(58) **Field of Classification Search**
USPC D7/368, 376, 381
CPC .. A21C 3/027; A21C 3/02; A21C 5/02; A21C
7/01; A21C 9/08; A21C 11/08
See application file for complete search history.

5,112,208 A * 5/1992 Voth A21C 3/02
264/175
5,460,506 A * 10/1995 Price, IV A21C 1/06
366/158.1
5,605,708 A * 2/1997 Cummins A21C 7/01
425/332
5,775,804 A * 7/1998 Meier A21C 5/02
366/76.5
5,783,222 A * 7/1998 Voyatzakis A21C 3/02
425/151
6,955,533 B2 * 10/2005 Morikawa A21C 3/027
425/193
D612,666 S * 3/2010 Lin D7/368
D623,467 S 9/2010 Lin
D688,514 S 8/2013 Lin
D741,106 S 10/2015 Lin

* cited by examiner

Primary Examiner — Terry Wallace
(74) *Attorney, Agent, or Firm* — Todd N. Hathaway

(56) **References Cited**

U.S. PATENT DOCUMENTS

2,790,397 A * 4/1957 Winkler A21C 7/01
425/324.1
3,272,153 A * 9/1966 Morabito A21C 5/00
425/297
4,177,030 A * 12/1979 Seiling A21C 5/02
425/145
4,255,106 A * 3/1981 Anetsberger A21C 11/008
425/151
4,586,888 A * 5/1986 Anderson A21C 11/08
425/362
4,668,174 A * 5/1987 Williams A21C 9/08
221/94
4,898,528 A 2/1990 Willard et al.

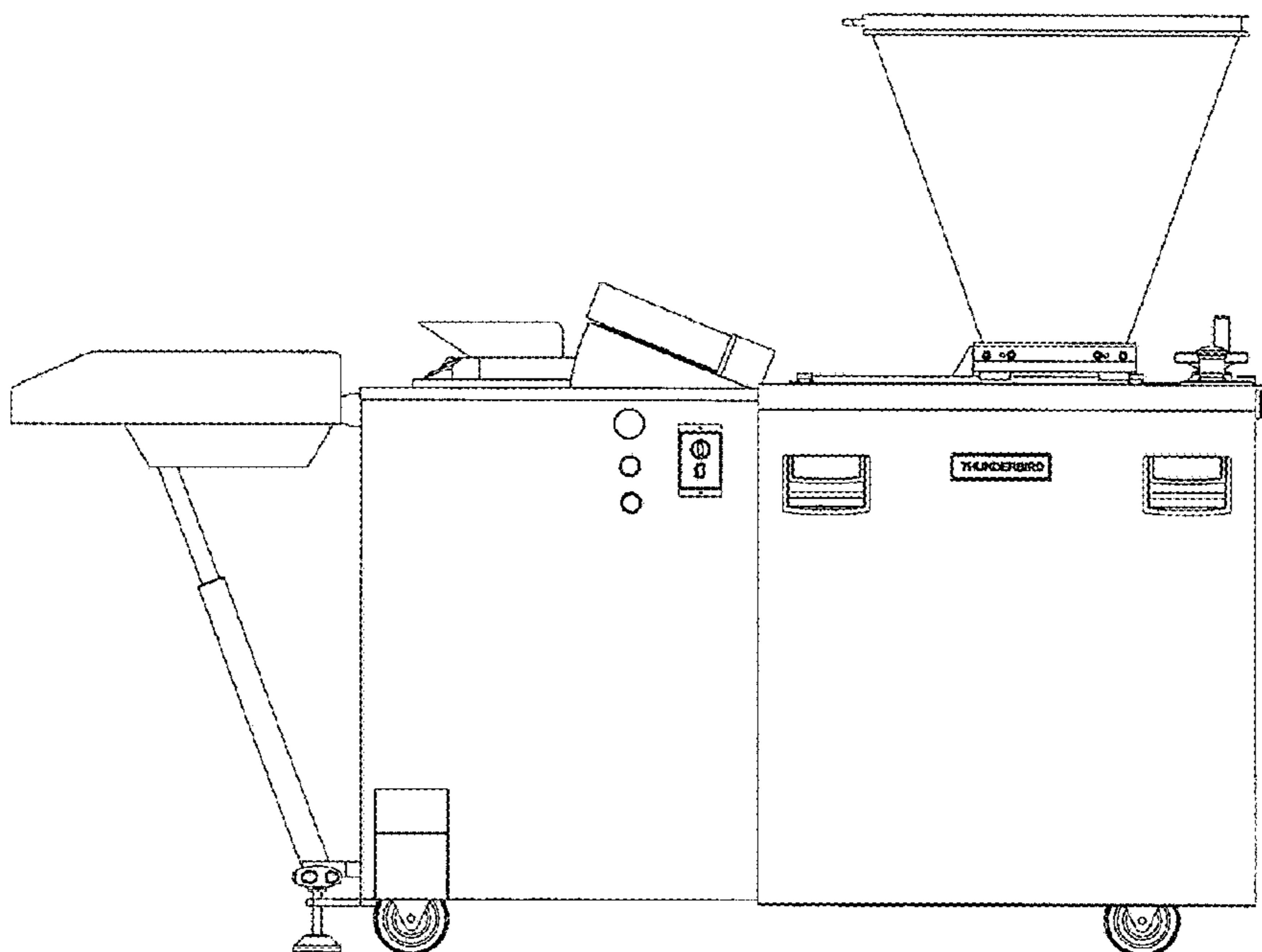
(57) **CLAIM**

The ornamental design for a dough divider-rounder, as shown and described.

DESCRIPTION

FIG. 1 is a front elevational view of a dough divider-rounder showing my new design;
FIG. 2 is a right end elevational view thereof;
FIG. 3 is a rear elevational view thereof;
FIG. 4 is a left end elevational view thereof;
FIG. 5 is top plan view thereof; and,
FIG. 6 is a bottom plan view thereof.

1 Claim, 6 Drawing Sheets



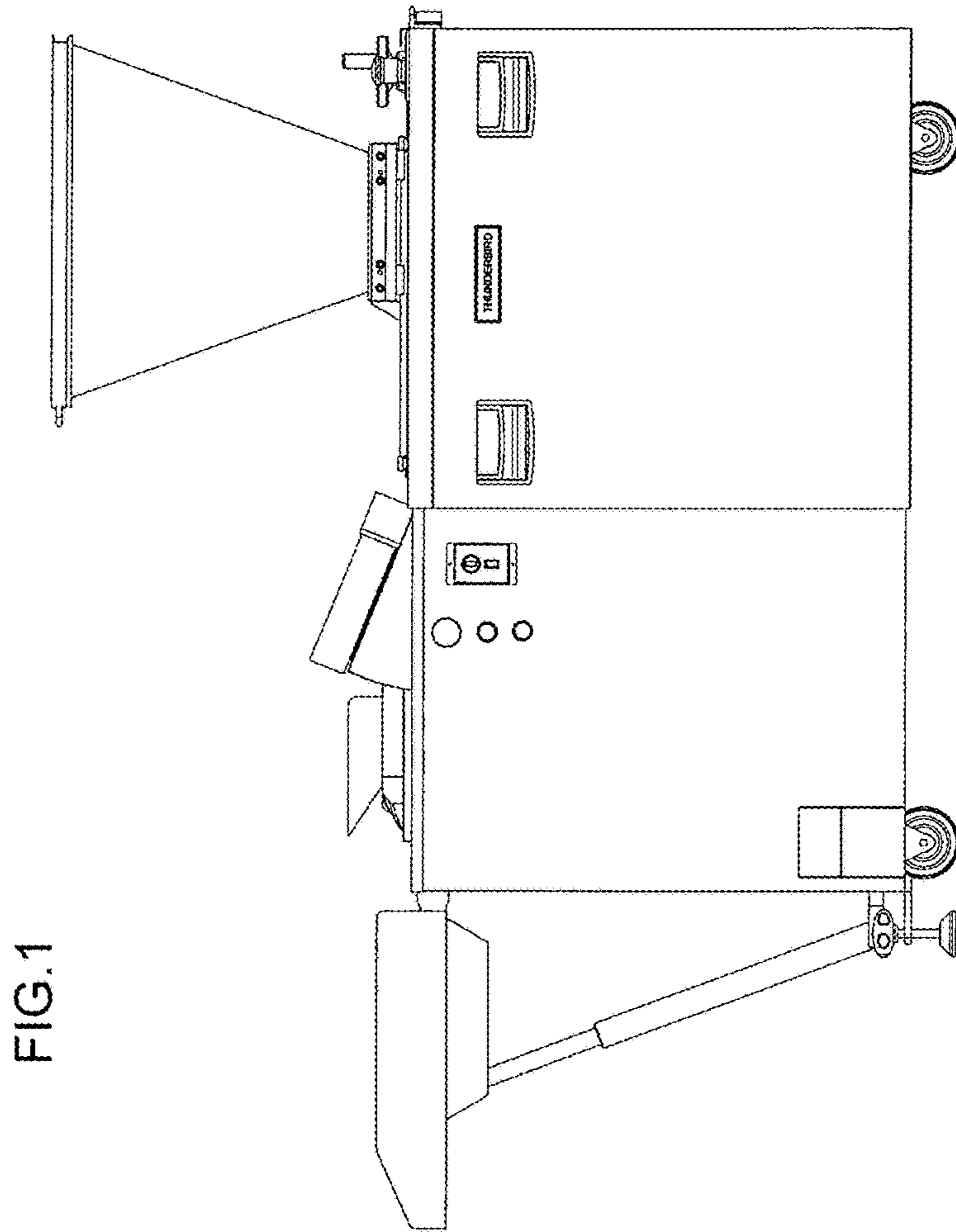
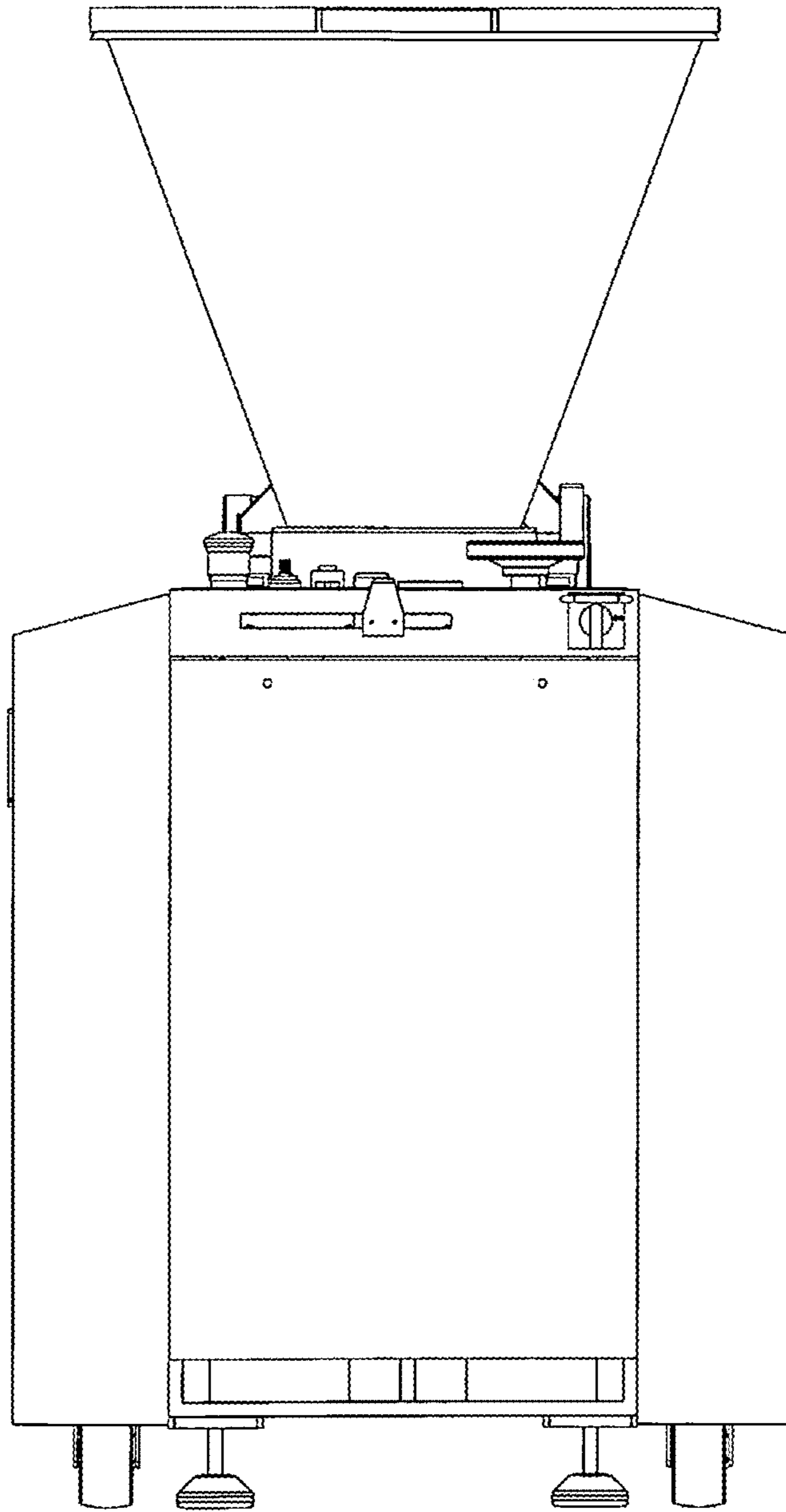


FIG.2



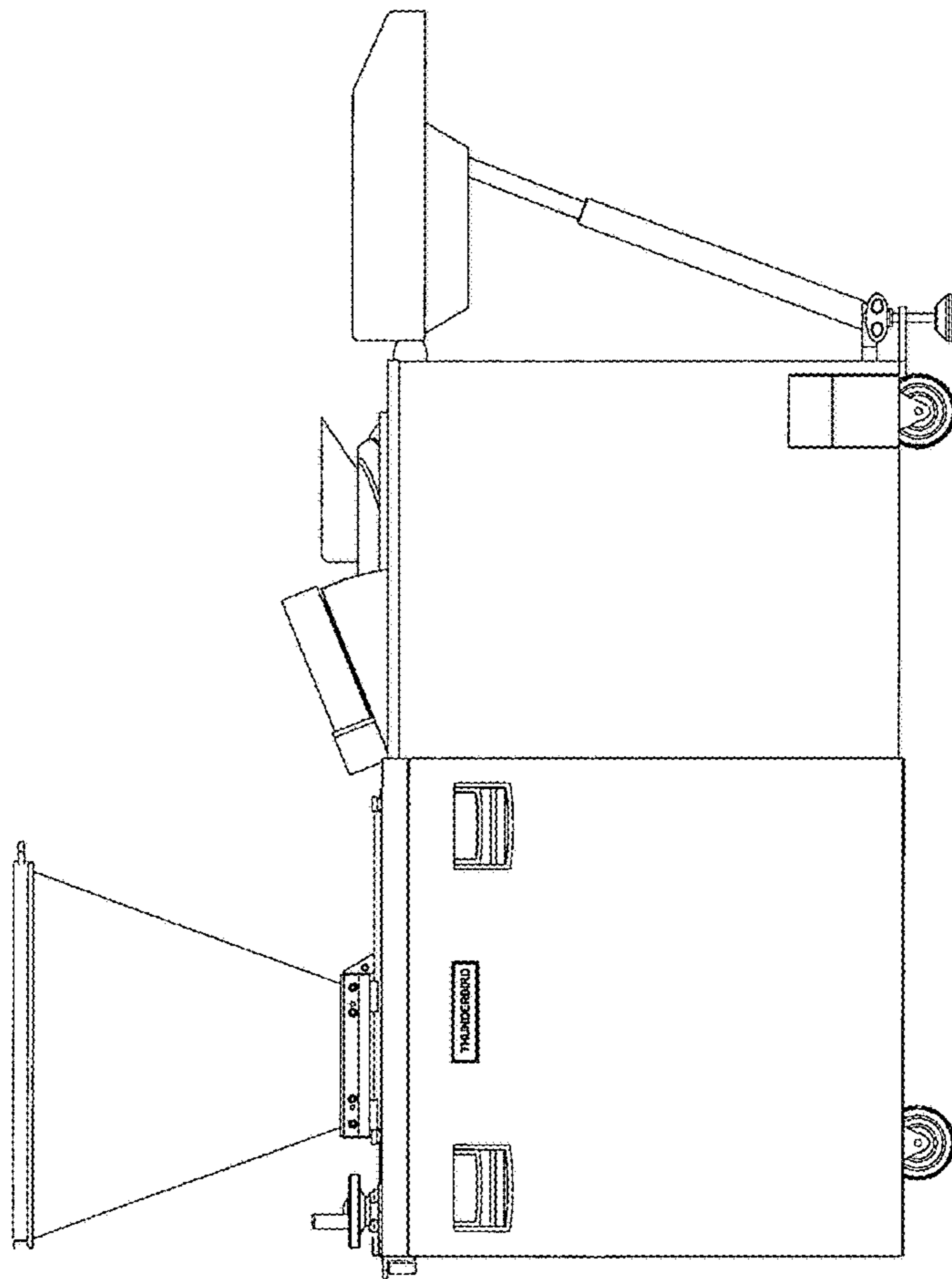
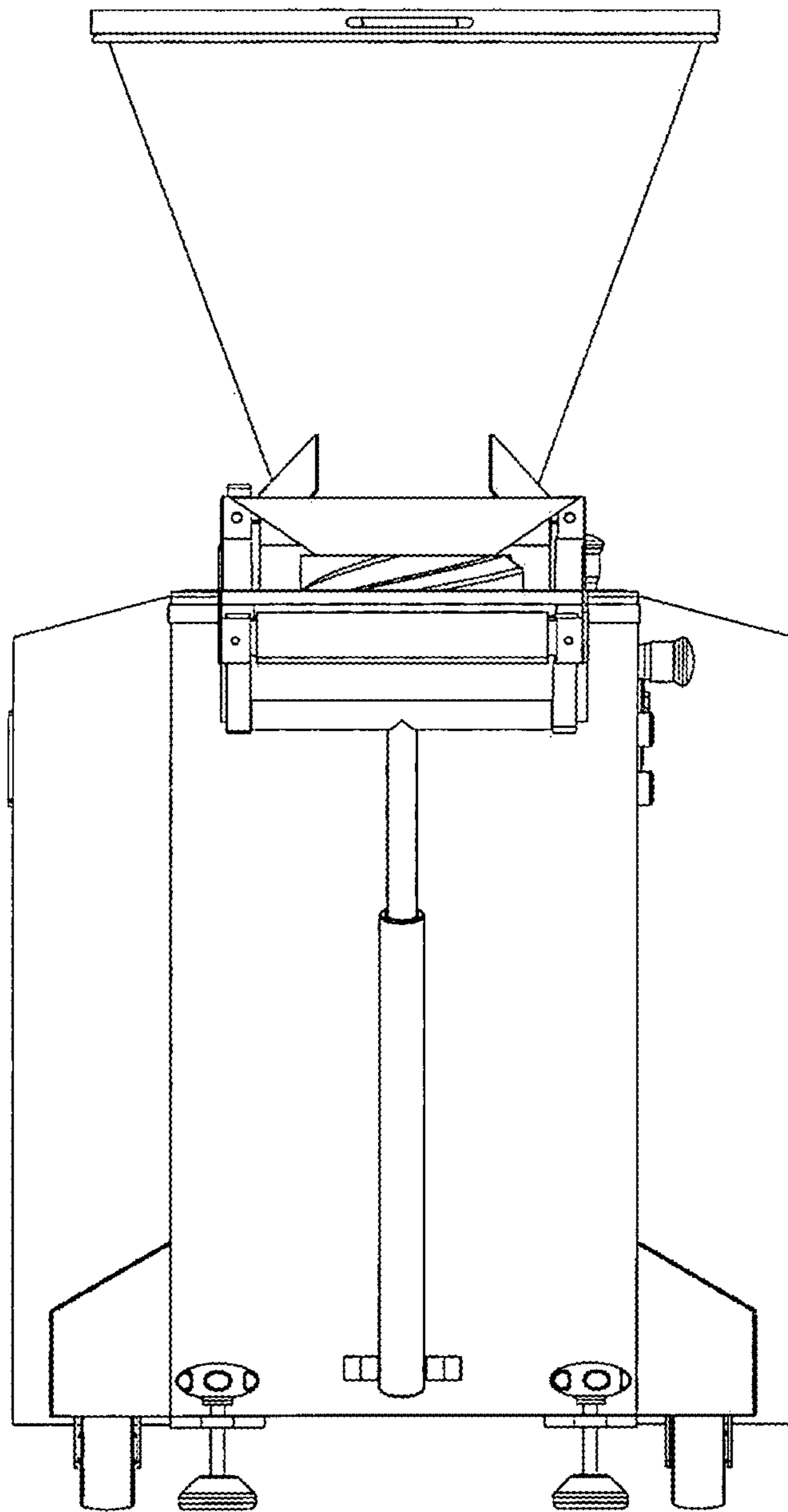


FIG.3

FIG.4



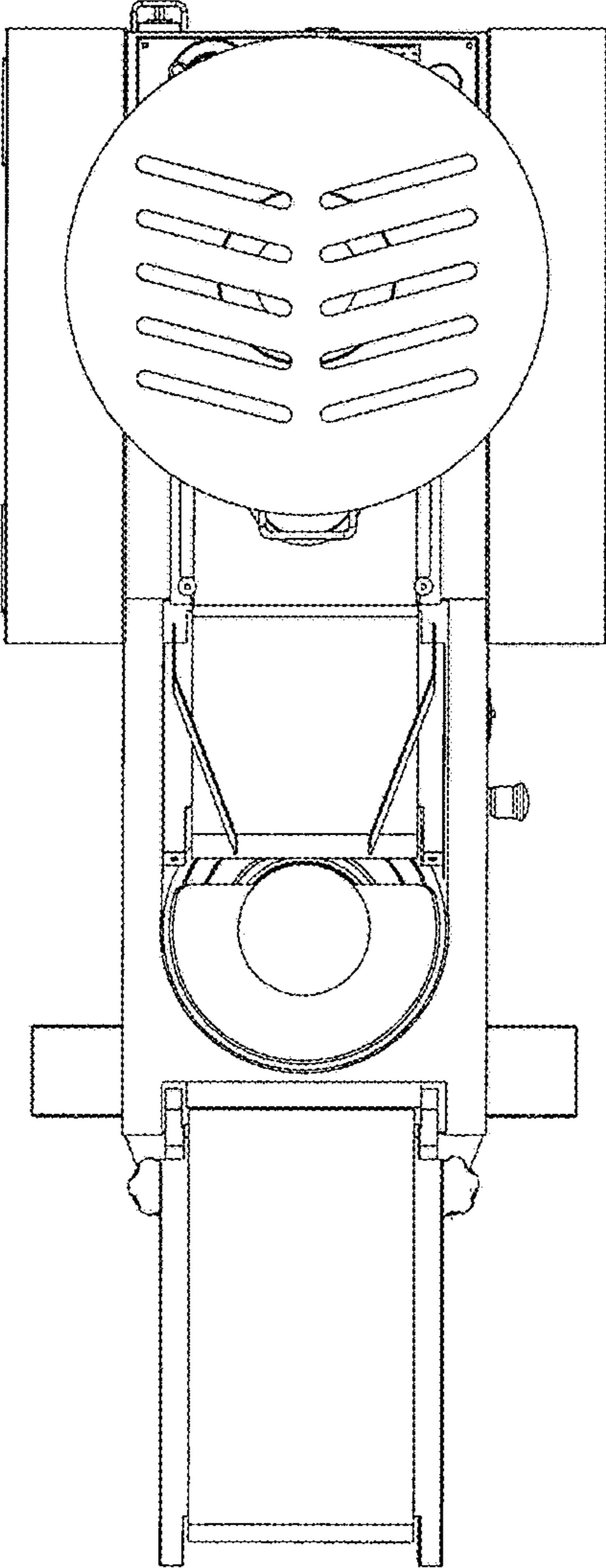


FIG.5

FIG.6

