



US00D788518S

(12) **United States Design Patent**  
**Aggarwal**

(10) **Patent No.:** **US D788,518 S**

(45) **Date of Patent:** **\*\* Jun. 6, 2017**

(54) **COOKING CONTAINER**

(71) Applicant: **Paul Aggarwal**, Jersey City, NJ (US)

(72) Inventor: **Paul Aggarwal**, Jersey City, NJ (US)

(\*\*) Term: **15 Years**

(21) Appl. No.: **29/562,041**

(22) Filed: **Apr. 21, 2016**

(51) **LOC (10) Cl.** ..... **07-02**

(52) **U.S. Cl.**  
USPC ..... **D7/360**

(58) **Field of Classification Search**  
USPC ..... D7/323, 337, 339-341, 352, 354-358,  
D7/360, 362-367, 393, 402-403,  
D7/407-411, 601, 605; D3/276  
CPC ..... A21B 1/06; A21B 1/50; A21B 1/52; A47J  
37/04; A47J 37/06; A47J 37/015; A47J  
37/067; A47J 37/0611; A47J 37/0629;  
A47J 37/0676; A47J 37/108; F24C 7/06;  
F24C 7/083; F24C 15/02; F24C 15/66;  
H05B 3/20; H05B 3/40  
See application file for complete search history.

(56) **References Cited**

**U.S. PATENT DOCUMENTS**

2,174,222 A	2/1876	Foster
287,635 A	10/1883	Curtis
318,438 A	5/1885	Williams et al.
352,136 A	11/1886	Leach
434,688 A	8/1890	Veley
445,996 A	2/1891	Iden
466,416 A	1/1892	Hunt
478,609 A	7/1892	Kelly
512,615 A	1/1894	Hoogerzeil
646,283 A	3/1900	Heatly et al.
857,228 A	6/1907	Boyd
891,085 A	6/1908	Leahy
1,009,227 A	11/1911	Rozir
1,103,169 A	7/1914	Beam

1,553,704 A	9/1925	Martinov
1,698,929 A	1/1929	Wentorf
1,764,253 A	6/1930	Foerch, Jr.
2,080,171 A	6/1936	Carlisle et al.
D125,447 S	2/1941	Jones, Jr. et al.
D162,041 S	2/1949	Klein
D153,270 S	4/1949	Erb
D154,912 S	8/1949	Gather
2,658,444 A	11/1953	Wheeler
2,710,112 A	6/1955	Thompson

(Continued)

**OTHER PUBLICATIONS**

Stainless Steel Lunch Box, posted at Amazon.com, posted on Aug. 22, 2015, site visited Feb. 24, 2017, <<https://www.amazon.com/Stainless-Steel-Lunch-Box-Containers/dp/B014B0E40C>>.\*

(Continued)

*Primary Examiner* — Barbara Fox  
*Assistant Examiner* — Messina L Smith  
(74) *Attorney, Agent, or Firm* — Werschulz Patent Law, LLC

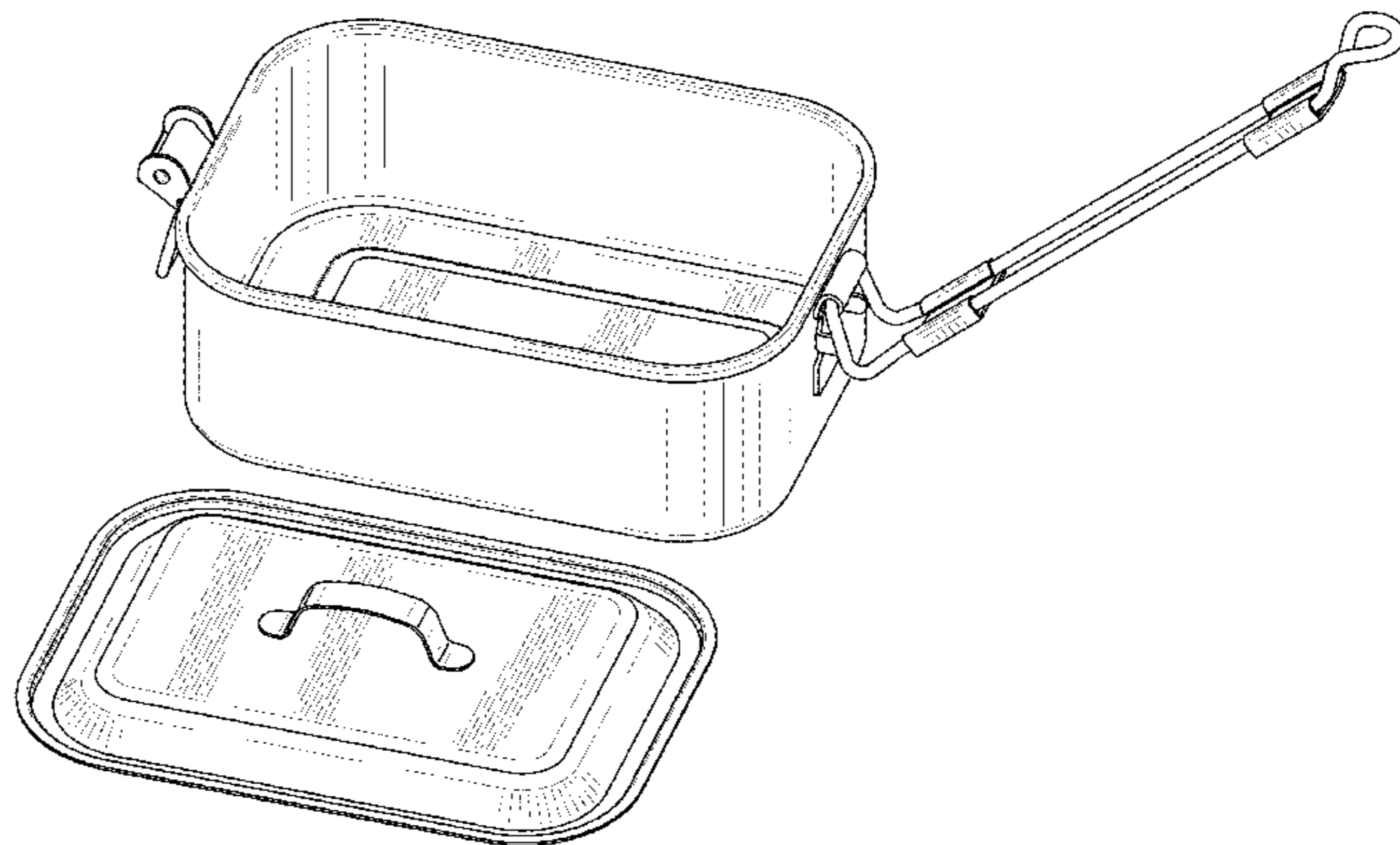
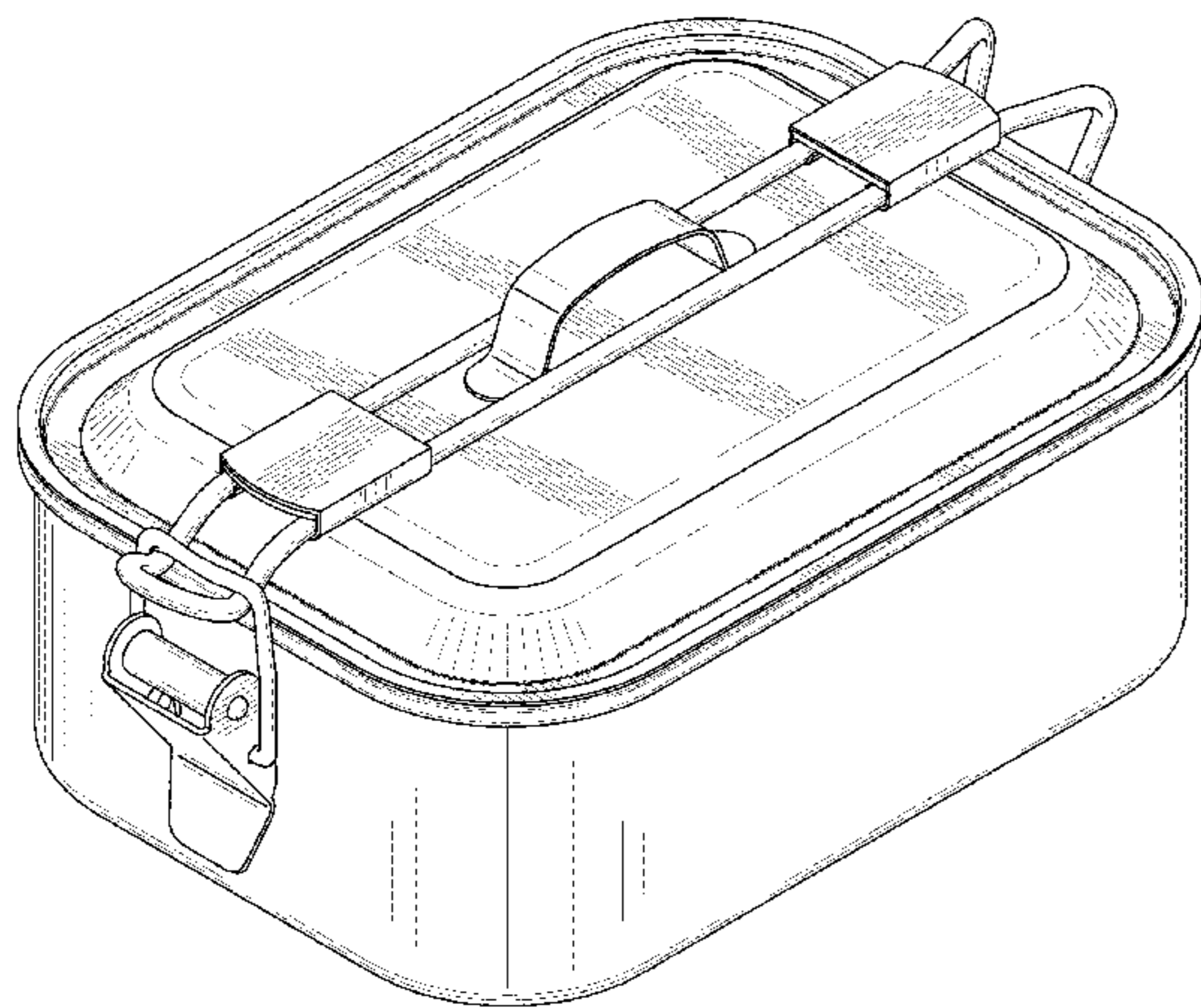
(57) **CLAIM**

The ornamental design for a cooking container, as shown and described.

**DESCRIPTION**

FIG. 1 is a top perspective view of a cooking container showing my new design;  
FIG. 2 is a perspective view from below thereof;  
FIG. 3 is a front elevational view thereof, the rear elevational view being a mirror image;  
FIG. 4 is a top plan view thereof;  
FIG. 5 is a bottom plan thereof;  
FIG. 6 is a left side elevational view thereof;  
FIG. 7 is a right side elevational view thereof; and,  
FIG. 8 is a perspective view of the cooking container with the lid removed.

**1 Claim, 7 Drawing Sheets**





(56)

References Cited

U.S. PATENT DOCUMENTS

3,179,287 A 4/1965 Rickmeier  
 3,457,852 A 7/1969 Kwoh  
 D218,021 S 7/1970 Wentzel  
 3,831,002 A 8/1974 Lockett et al.  
 D236,881 S 9/1975 Mitchell  
 D246,289 S 11/1977 Boucher  
 4,075,078 A 2/1978 Nickell  
 4,079,880 A 3/1978 Edwards  
 4,106,486 A 8/1978 Lee  
 4,176,593 A 12/1979 Terzian  
 4,220,134 A 9/1980 Snyder  
 D272,971 S 3/1984 Tallon  
 D275,643 S 9/1984 Petterson  
 4,505,390 A 3/1985 Kirk  
 4,558,198 A 12/1985 Levendusky et al.  
 D305,086 S 12/1989 Stewart  
 4,920,873 A \* 5/1990 Stevens ..... A47J 27/14  
 126/246  
 4,976,370 A 12/1990 Cassel  
 D314,307 S 2/1991 Bush  
 5,056,424 A 10/1991 Lai  
 D321,625 S 11/1991 Dobson et al.  
 D328,030 S 7/1992 Dumbrell  
 D333,588 S 3/1993 Bergman  
 D340,614 S 10/1993 Kaeding  
 D346,305 S 4/1994 Breeka  
 5,366,104 A 11/1994 Armstrong  
 D355,814 S 2/1995 VanValkenburg et al.  
 D357,161 S 4/1995 Booten  
 D366,592 S 1/1996 Cesaroni et al.  
 D368,626 S 4/1996 Hentz  
 5,511,467 A 4/1996 Motley et al.  
 5,666,875 A 9/1997 Wener  
 5,740,937 A 4/1998 Sheu  
 5,782,165 A 7/1998 Glenboski et al.  
 5,957,123 A 9/1999 Addonizio et al.  
 D427,009 S 6/2000 Iyengar et al.  
 D427,839 S 7/2000 Toyama  
 D437,182 S 2/2001 Choi  
 D439,159 S 3/2001 Chen  
 D444,342 S 7/2001 Kruepke et al.  
 D449,958 S 11/2001 Liu  
 D451,335 S 12/2001 Rossman  
 D460,315 S 7/2002 Martin  
 D463,203 S 9/2002 Commodore  
 6,591,741 B1 7/2003 Martin  
 6,705,210 B2 3/2004 Leonard  
 D516,384 S 3/2006 Neuhaus  
 D525,076 S 7/2006 Olsen et al.  
 D527,227 S 8/2006 Bertulis  
 D528,014 S 9/2006 Cutts et al.  
 D528,353 S 9/2006 Brady et al.  
 7,165,695 B2 1/2007 Choi  
 D542,592 S 5/2007 Lubowicki  
 D550,043 S 9/2007 Brattoli  
 D563,174 S 3/2008 Lok et al.  
 D583,615 S 12/2008 Simon et al.  
 D591,553 S 5/2009 Garman et al.  
 D608,592 S 1/2010 Curtin  
 7,909,203 B1 3/2011 Kleen et al.  
 D642,423 S 8/2011 Seymour  
 D643,675 S 8/2011 Seymour  
 D645,296 S \* 9/2011 Saboe ..... D7/354  
 D646,103 S 10/2011 Saunders et al.  
 D647,752 S \* 11/2011 Curtis ..... D7/354  
 8,079,302 B2 12/2011 Giangrasso et al.  
 D660,095 S 5/2012 Kyung  
 D662,761 S 7/2012 Wahl  
 D664,802 S 8/2012 Upston  
 D665,677 S 8/2012 Wu  
 D675,057 S 1/2013 Harvey et al.  
 8,418,604 B1 4/2013 Zemel et al.  
 D682,046 S 5/2013 Myoung  
 D696,895 S 1/2014 Whitehead  
 D697,751 S 1/2014 Schleinzer

8,672,135 B1 3/2014 Hymack  
 8,887,918 B2 11/2014 Parsons  
 D724,903 S 3/2015 Chen  
 9,060,642 B1 6/2015 Armbrust et al.  
 D734,636 S 7/2015 Tinius et al.  
 D734,644 S 7/2015 Bodum  
 D736,569 S 8/2015 Bronwasser et al.  
 D737,636 S 9/2015 Bronwasser et al.  
 9,120,595 B2 9/2015 Chou  
 9,211,031 B1 12/2015 Paredez  
 2009/0158940 A1 6/2009 Archer et al.

OTHER PUBLICATIONS

Anonymous, 3-in-1 lunchbox, ECOLunchbox, Inc. website, <http://ecolunchboxes.com/collections/lunch-boxes/products/three-in-one-giant>, May 4, 2016, ECOLunchbox, Inc., US.  
 Anonymous, 6 Gallon Rectangular Cooking Pot with Splash Lid, Apr. 1, 2016, <http://www.anchor-supplies.com/6-gallon-rectangular-cooking-pot-with-splash-lid.html>, Anchor Supplies, Derbyshire, UK.  
 Anonymous, Alpine Stowaway Pot, <http://www.amazon.com/gp/product/B0000BW8JO>, Mar. 6, 2016, Amazon.  
 Anonymous, Aluminum Mess Survival Tin, Amazon website, [http://www.amazon.com/ESEE-Aluminum-Mess-Survival-Tin/dp/B011J96T4Q/ref=pd\\_sim\\_sbs\\_200\\_4?ie=UTF8&dpID=41NzIRmrvIL&dpSrc=sims&preST=\\_AC\\_UL160\\_SR160%2C160\\_&refRID=12VV2S4W0X6NEEHVE9QT](http://www.amazon.com/ESEE-Aluminum-Mess-Survival-Tin/dp/B011J96T4Q/ref=pd_sim_sbs_200_4?ie=UTF8&dpID=41NzIRmrvIL&dpSrc=sims&preST=_AC_UL160_SR160%2C160_&refRID=12VV2S4W0X6NEEHVE9QT), Mar. 6, 2016, Amazon.  
 Anonymous, French Military Aluminum Mess Kit, website, <https://colemans.com/shop/camping-gear/food-cooking/french-military-aluminum-mess-kit-2-pack/>, Mar. 23, 2016, Colemans Military Surplus, LLC, US.  
 Anonymous, Genuine British Army Mess Tin Set, website, <http://www.messtin.co.uk/site/index.php?page=home&content=4204&slug=4204>, Mar. 23, 2016, Messtin Co., UK.  
 Anonymous, Griswold Cast Iron Square Fry Skillet Cast Iron Cover Lid, website, <http://thepan-handler.com/shop/excellent-griswold-cast-iron-square-fry-skillet-pn-768-and-scarce-cast-iron-cover-lid-pn-769-2/>, Mar. 6, 2016, The Pan Handler, LLC.  
 Anonymous, Mess Kit, Wikipedia website, [https://en.wikipedia.org/w/index.php?title=Mess\\_kit&oldid=705155727](https://en.wikipedia.org/w/index.php?title=Mess_kit&oldid=705155727), Feb. 15, 2016, Wikipedia Foundation, Inc.  
 Anonymous, Mess Tins Laken, website, <http://www.deltaforces.eu/eq820-mess-tins-laken.html>, Apr. 4, 2016, DeltaForces.  
 Anonymous, Oldfingers, <http://photos.bwca.com/o/OLDFINGERS57-210813-092539.JPG>, May 4, 2016.  
 Anonymous, Rakuten Lunch Carrier, website, [http://thumbnail.image.rakuten.co.jp/@0\\_mall/cries/cabinet/lunch/carrier-rectangle2\\_2.jpg](http://thumbnail.image.rakuten.co.jp/@0_mall/cries/cabinet/lunch/carrier-rectangle2_2.jpg), [http://thumbnail.image.rakuten.co.jp/@0\\_mall/cries/cabinet/lunch/carrier-square2\\_2.jpg](http://thumbnail.image.rakuten.co.jp/@0_mall/cries/cabinet/lunch/carrier-square2_2.jpg), [http://image.rakuten.co.jp/cries/cabinet/lunch/carrier-rectangle2\\_1.jpg?\\_ex=128x128](http://image.rakuten.co.jp/cries/cabinet/lunch/carrier-rectangle2_1.jpg?_ex=128x128), [http://image.rakuten.co.jp/cries/cabinet/lunch/carrier-square2\\_1.jpg?\\_ex=128x128](http://image.rakuten.co.jp/cries/cabinet/lunch/carrier-square2_1.jpg?_ex=128x128), May 4, 2016.  
 Anonymous, Rakuten Uniflame 667712 mountain cooker square 1, Rakuten website, <http://global.rakuten.com/en/store/kompas/item/10055177/>, Mar. 1, 2016, Rakuten Global Marketing, Japan.  
 Anonymous, Rothco GI Mess Kit, Amazon website, <http://www.amazon.com/gp/product/B001JPIGQU>, Mar. 23, 2016.  
 Anonymous, Sigg Alu Food Boxes, Amazon website, [https://www.amazon.co.uk/Sigg-Alu-Food-Boxes-Mini/dp/B000093SOP/277-7573171-9912254?ie=UTF8&\\*Version\\*=1&\\*entries\\*=0](https://www.amazon.co.uk/Sigg-Alu-Food-Boxes-Mini/dp/B000093SOP/277-7573171-9912254?ie=UTF8&*Version*=1&*entries*=0), Apr. 23, 2016.  
 Anonymous, Square and Rectangular Food Carrier, Seagull Catalog 2014, p. 30, Thai Stainless Steel, Thailand.  
 Anonymous, Titanium Bento Box, website, [https://www.mfrbee.com/product/1393213/Titanium\\_%22Bento%22\\_Box.html](https://www.mfrbee.com/product/1393213/Titanium_%22Bento%22_Box.html), Apr. 4, 2016, mfrbee.com.  
 Anonymous, Trangia Mess Tins, Trangia website, <http://trangia.se/en/mess-tins/>, May 4, 2016, Trangia AB, Alsenvägen 16, 830 47 Trångsviken, Sverige.  
 Anonymous, Uniform High Quality Mountain Cooker, eBay website, <http://www.ebay.ca/itm/Uniflame-High-Quality-Mountain->

(56)

**References Cited**

OTHER PUBLICATIONS

Cooker-2-Square-Type-backpacker-compact-camp-bag/  
111986949853?\_trksid=p2047675.c100011.m1850&\_  
trkparms=aid%3D222007%26algo%3DSIC.  
MBE%26ao%3D1%26asc%3D20140620075055%26meid%3  
D8d159095c7df4ac1bd9e7cd77464b9a3%26pid%3D100011%26  
rk%3D1%26rkt%3D4%26sd%3D111895561635, Mar. 1, 2016.  
Anonymous, Woody Dutch Oven, website, <http://woodydutchoven.com/get-yours>, Mar. 6, 2016, Woody Dutch Oven, US.  
Anonymous, Yellowstone 3 Piece AI Mess Tin Set, website, <http://www.outdoorcampingdirect.uk/3pc-mess-tin-set.html>, Apr. 4, 2016, Outdoor Camping Direct, UK.

\* cited by examiner



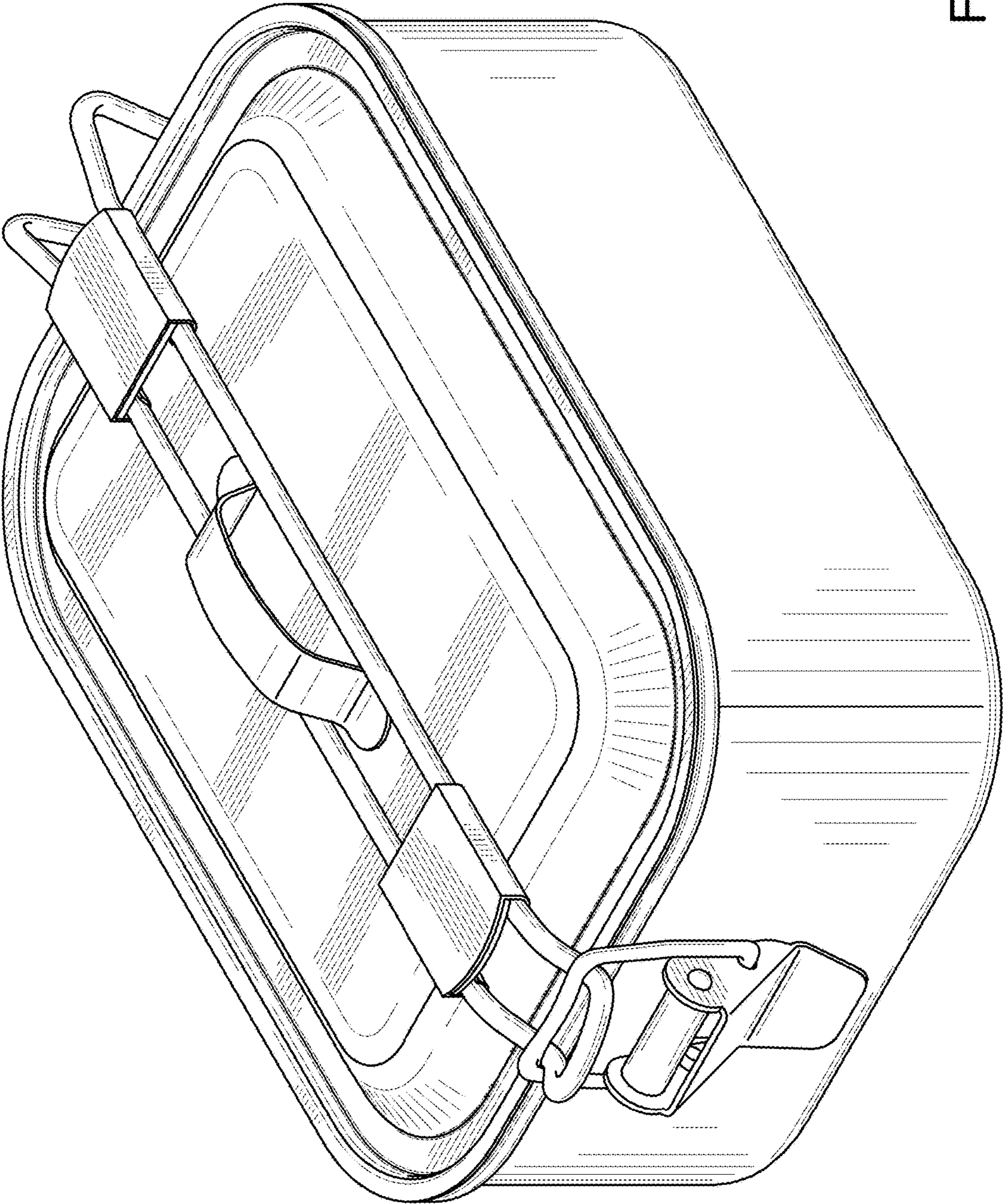


FIG. 1

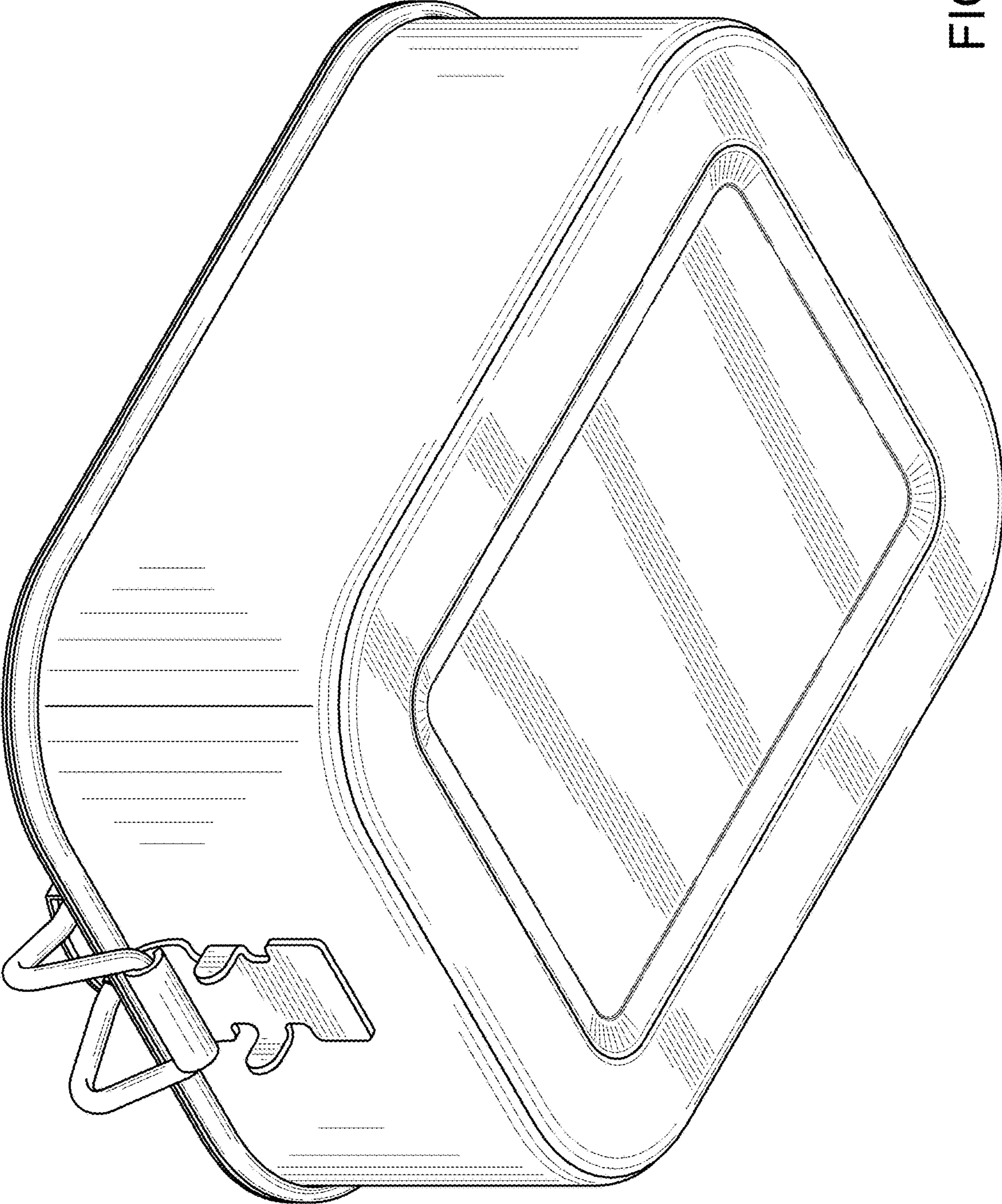


FIG. 2



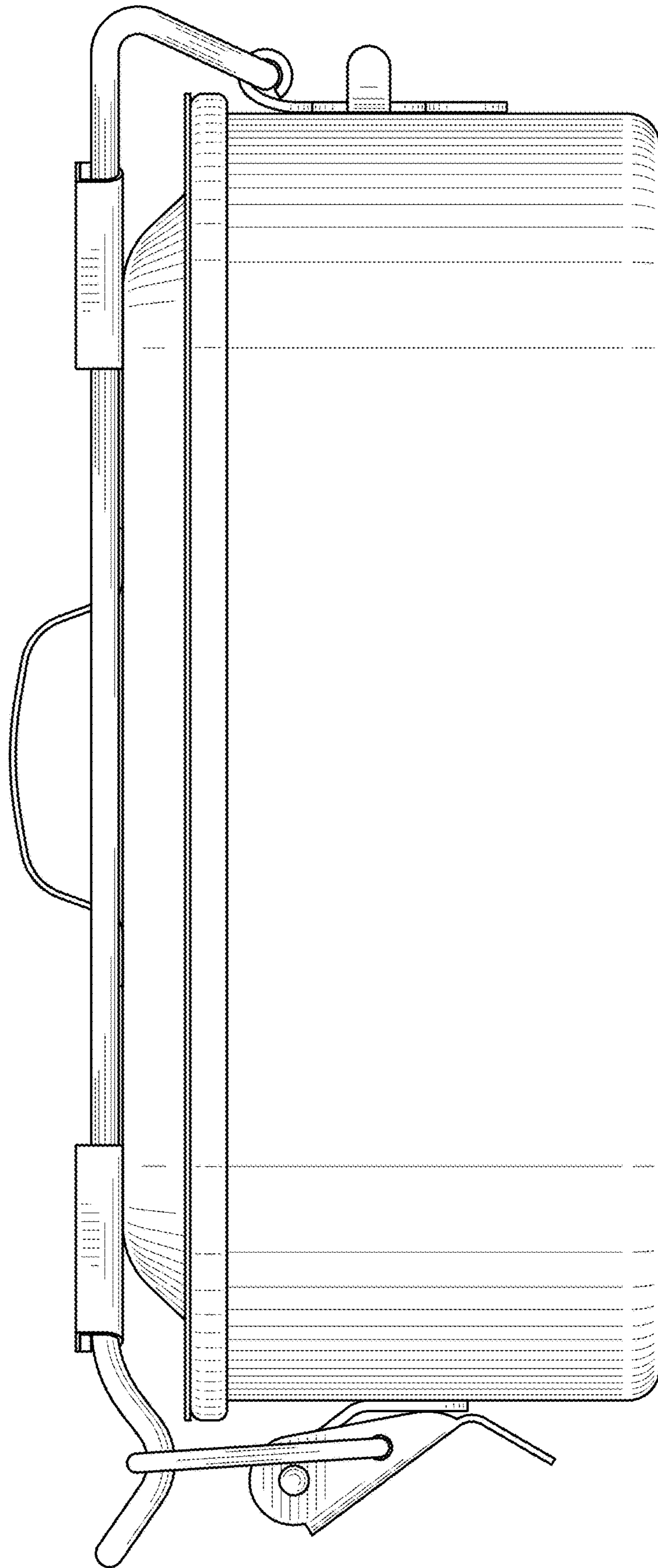


FIG. 3

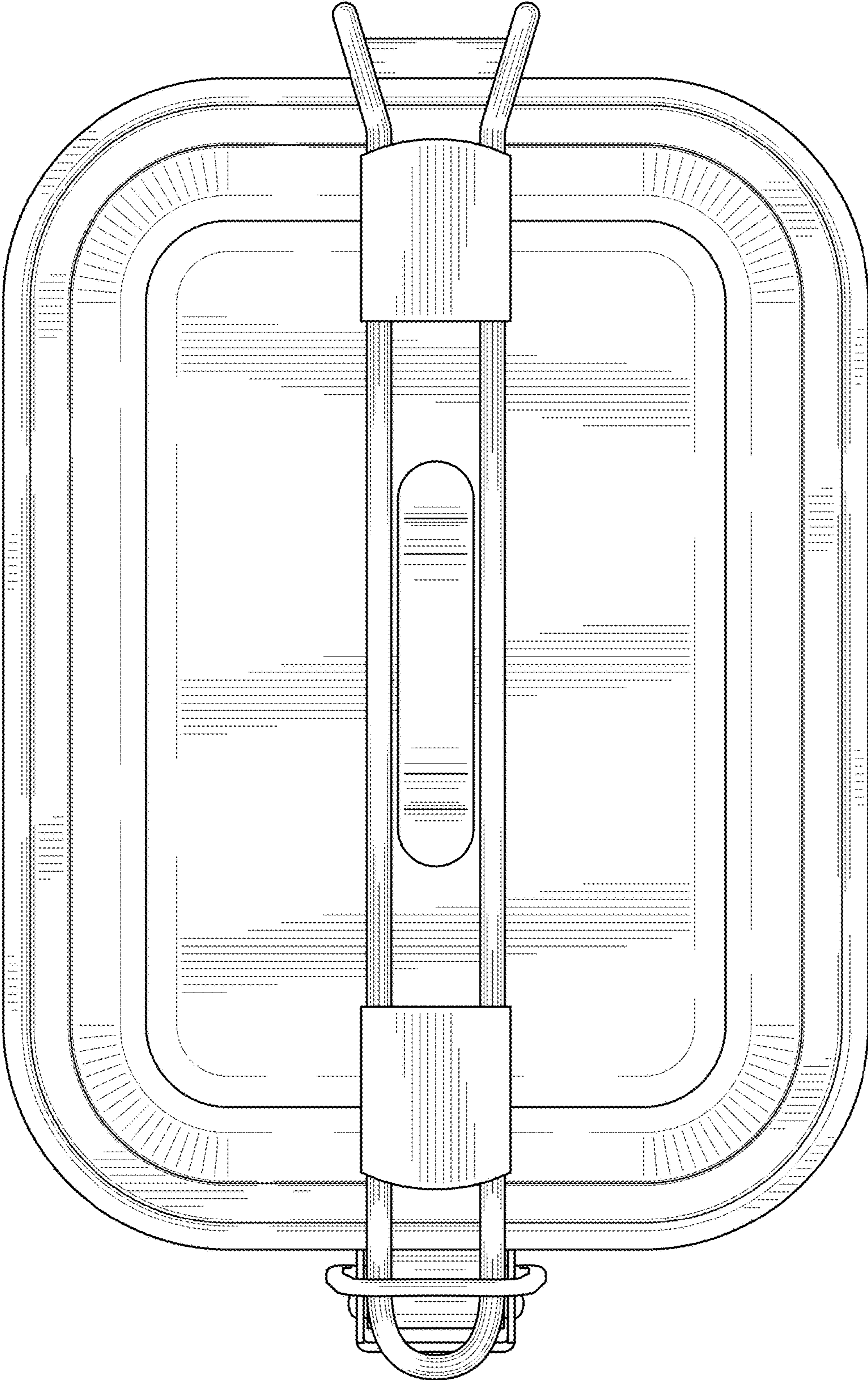


FIG. 4

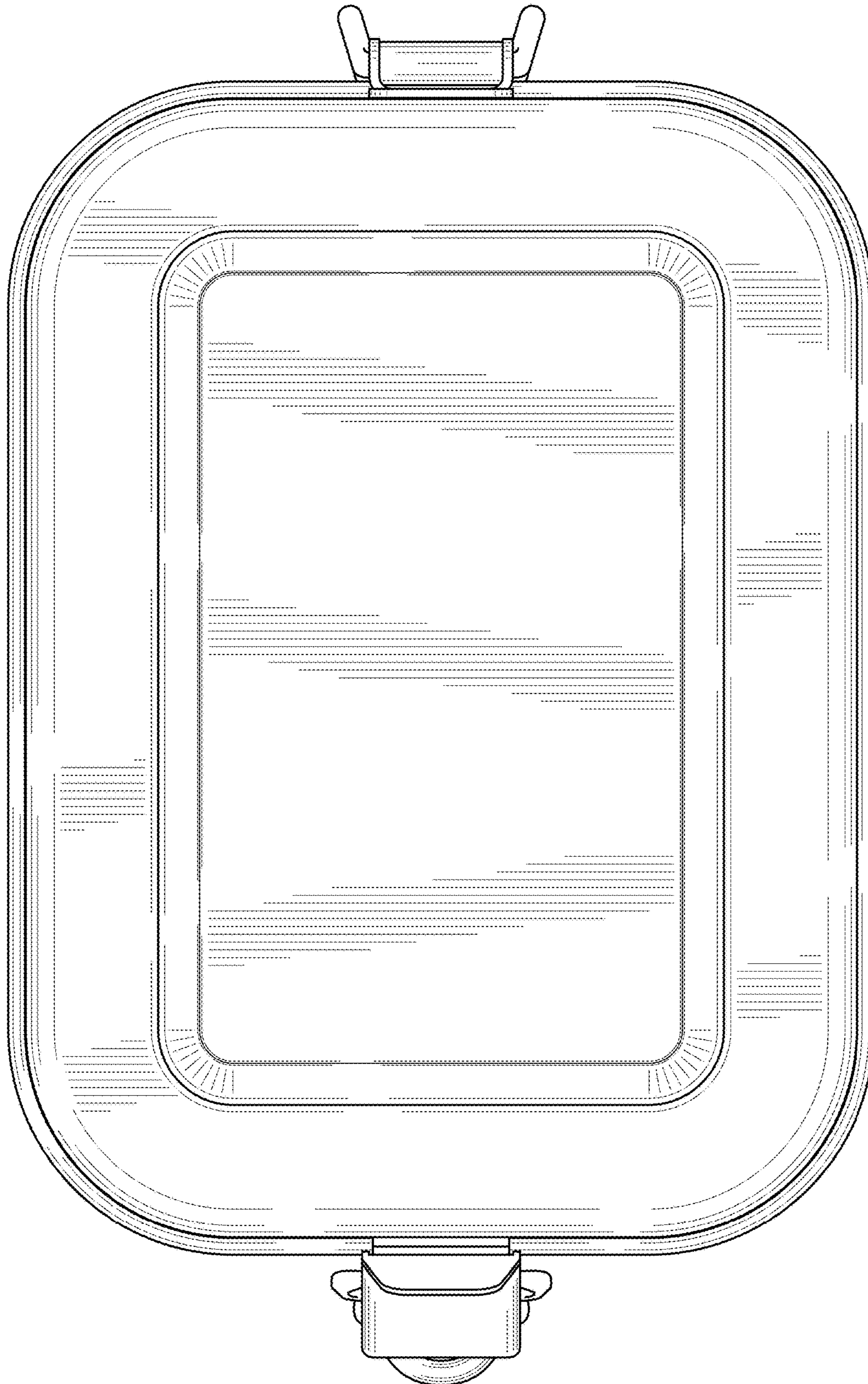


FIG. 5



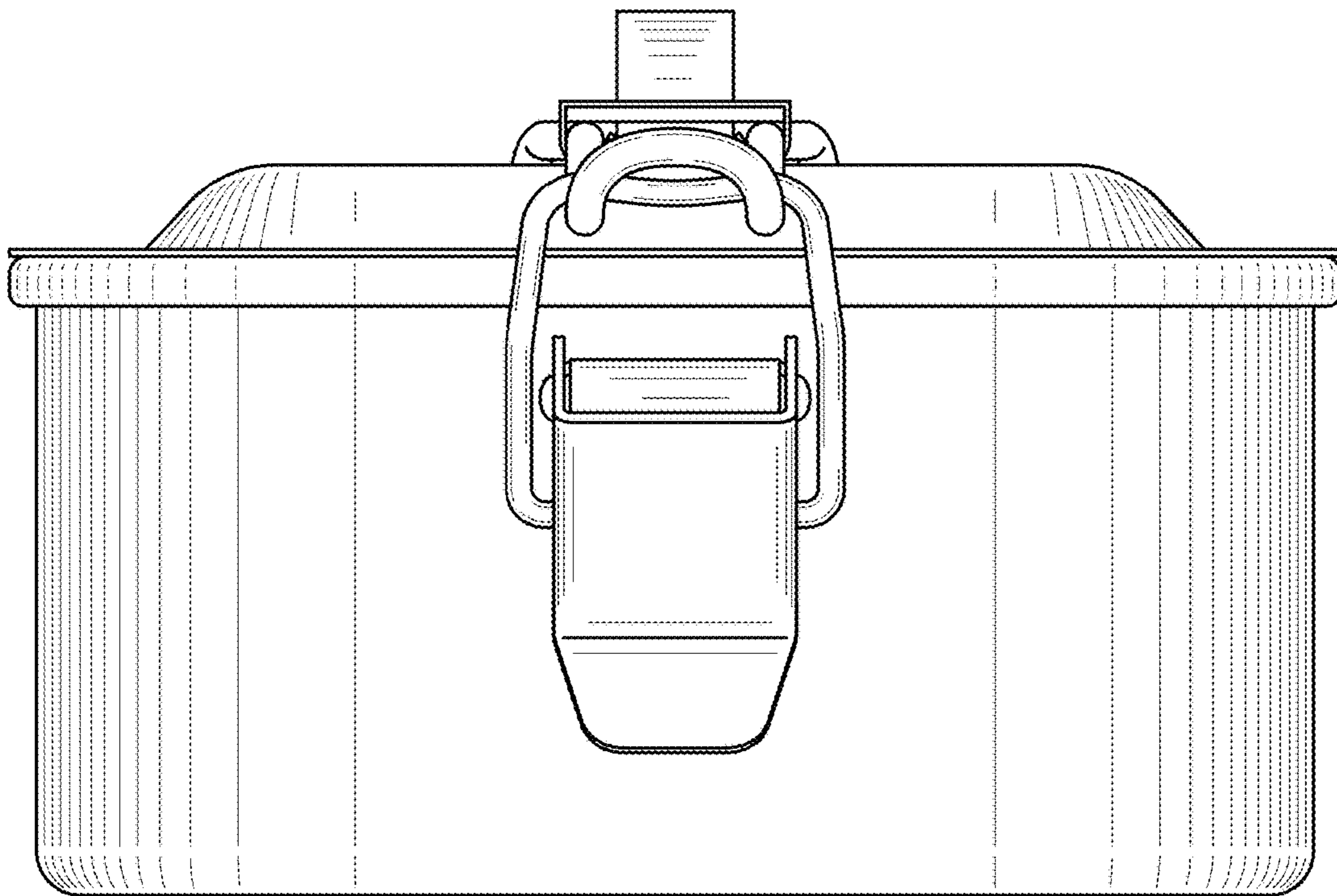


FIG. 6

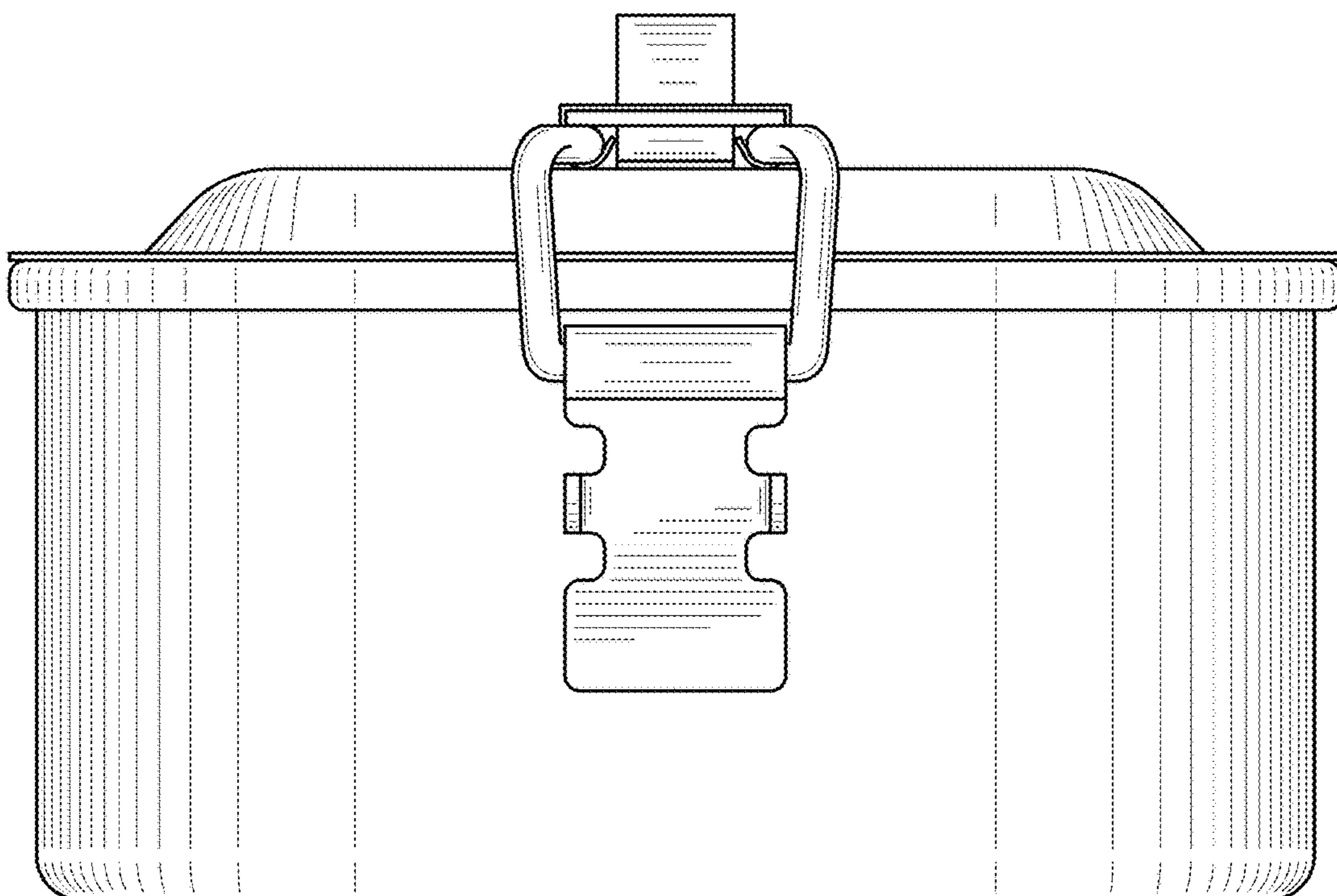


FIG. 7

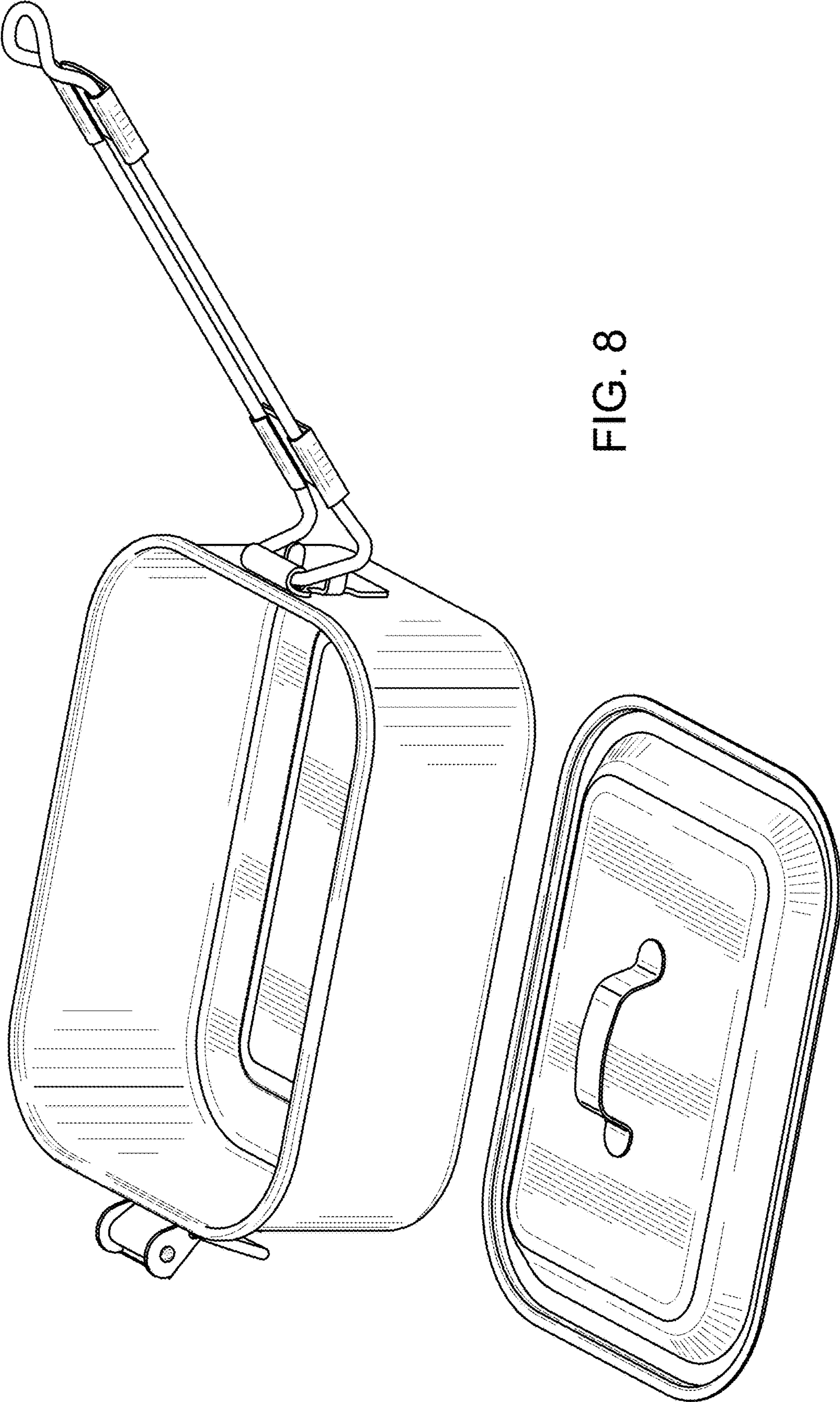


FIG. 8