



US00D788517S

(12) **United States Design Patent**
Barquin et al.

(10) **Patent No.:** **US D788,517 S**

(45) **Date of Patent:** **** Jun. 6, 2017**

(54) **RICE COOKER**

(71) Applicant: **Spectrum Brands, Inc.**, Middleton, WI (US)

(72) Inventors: **Francisco Javier Barquin**, Madison, WI (US); **John Edward McGillin**, Branford, CT (US)

(73) Assignee: **Spectrum Brands, Inc.**, Middleton, WI (US)

(**) Term: **15 Years**

(21) Appl. No.: **29/550,841**

(22) Filed: **Jan. 7, 2016**

(51) **LOC (10) Cl.** **07-02**

(52) **U.S. Cl.**
USPC **D7/354**

(58) **Field of Classification Search**
USPC D7/323, 354-361, 391
CPC A47J 27/00; A47J 27/004; A47J 27/04; A47J 27/05; A47J 27/08; A47J 27/09; A47J 27/092; A47J 27/13; A47J 36/025; A47J 36/06; A47J 36/08; A47J 36/10; A47J 36/12; A47J 37/12; A47J 37/1204; A47J 37/1209; H05B 6/02; H05B 6/06; H05B 6/12

See application file for complete search history.

(56) **References Cited**

U.S. PATENT DOCUMENTS

D170,766 S *	11/1953	Petertil	D7/360
D176,002 S *	11/1955	Boldt	D7/360
D280,064 S *	8/1985	Obata	D7/360
D284,257 S *	6/1986	Greb	D7/355
D338,132 S *	8/1993	Chang	D7/354
D416,434 S *	11/1999	Pollnow	D7/360
D425,360 S *	5/2000	Dobson	D7/360
D433,869 S *	11/2000	Wong	D7/360

D445,298 S *	7/2001	DeBord	D7/360
D528,353 S *	9/2006	Brady	D7/360
D537,670 S *	3/2007	Genslak	D7/354
D556,504 S *	12/2007	Averty	D7/360
D568,676 S *	5/2008	Steiner	D7/354
D590,654 S *	4/2009	Perkins	D7/354
D635,818 S *	4/2011	Tse	D7/354
D641,202 S *	7/2011	Bock	D7/354
D642,422 S *	8/2011	Averty	D7/354
D644,476 S *	9/2011	Gregory	D7/354
D646,114 S *	10/2011	Wong	D7/354
D657,993 S *	4/2012	Pantaleo	D7/354
D667,680 S *	9/2012	Bock	D7/354
D682,009 S *	5/2013	Day	D7/354
D697,363 S *	1/2014	Tu	D7/354
D698,595 S *	2/2014	Kunz	D7/354
D701,416 S *	3/2014	Day	D7/354
2008/0083730 A1 *	4/2008	Dolgov	A47J 27/004 219/432

* cited by examiner

Primary Examiner — Ricky Pham

(74) *Attorney, Agent, or Firm* — Banner & Witcoff, Ltd.

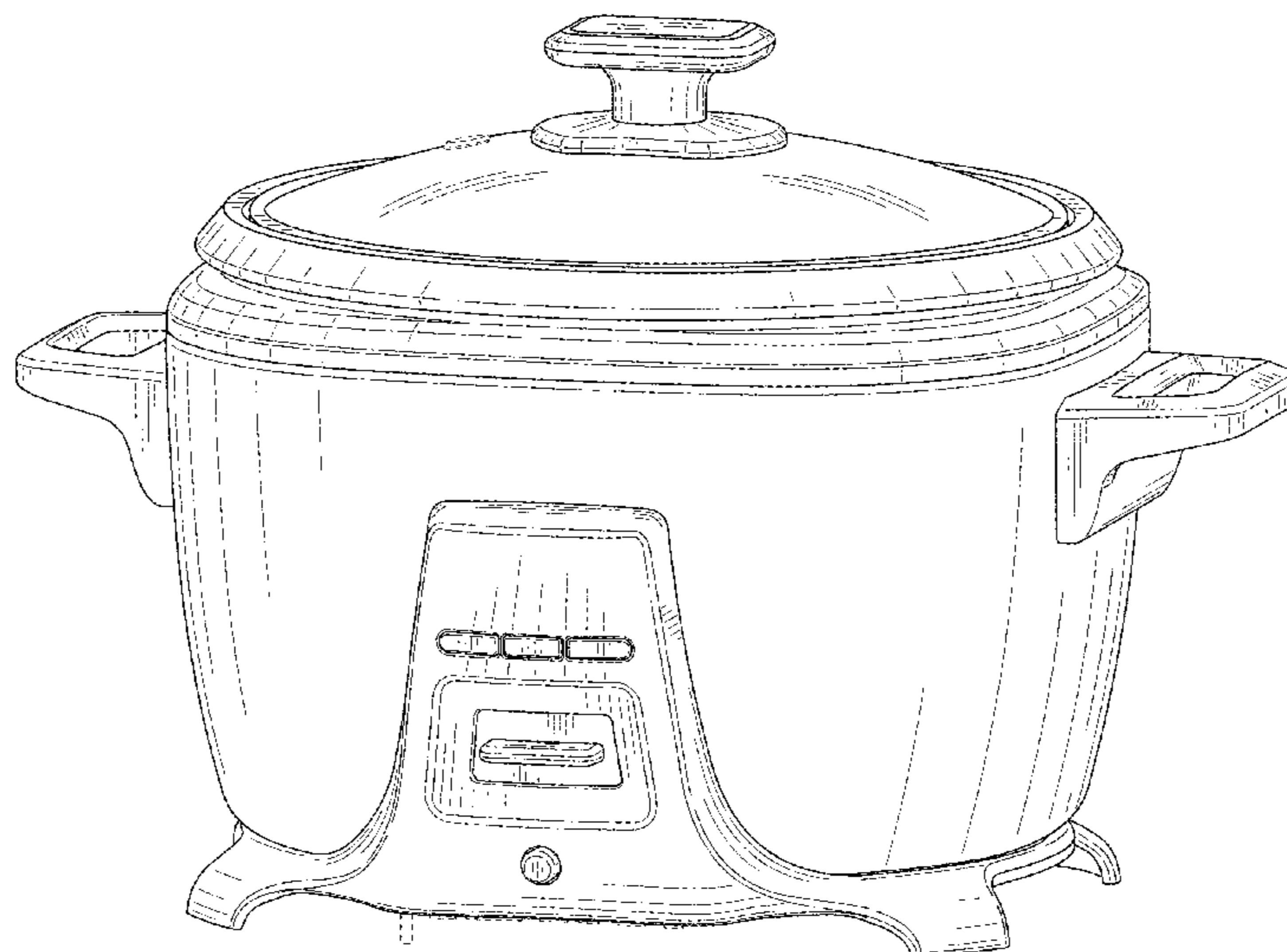
(57) **CLAIM**

The ornamental design for a rice cooker, as shown and described.

DESCRIPTION

FIG. 1 is a front perspective view of a rice cooker showing our new design;
FIG. 2 is a front view thereof;
FIG. 3 is a rear view thereof;
FIG. 4 is a right side view thereof;
FIG. 5 is a left side view thereof;
FIG. 6 is a top view thereof; and,
FIG. 7 is a bottom view thereof.
The broken line showing of the unshaded elements of the rice cooker represents unclaimed subject matter and forms no part of the claimed design.

1 Claim, 7 Drawing Sheets



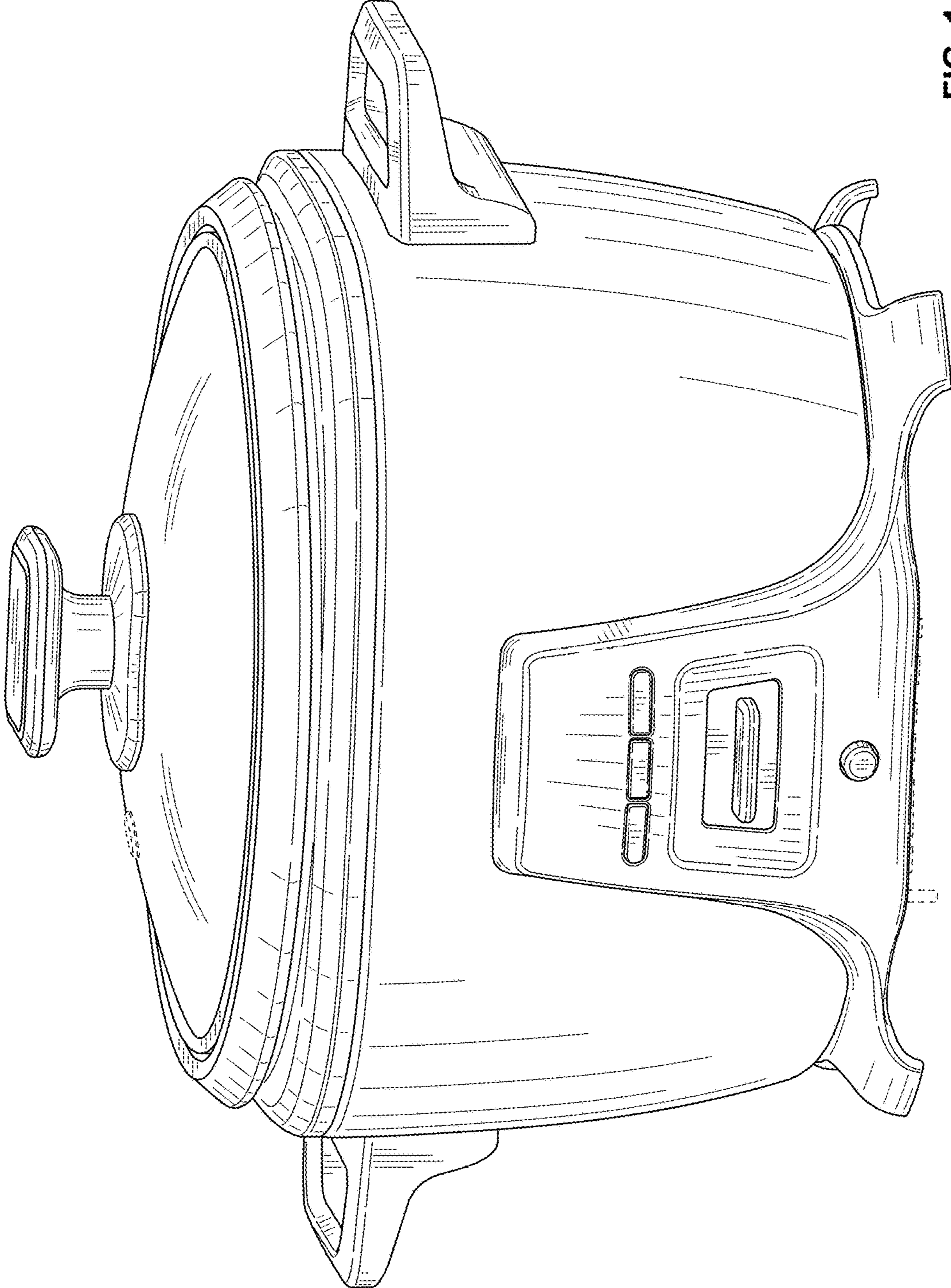


FIG. 1

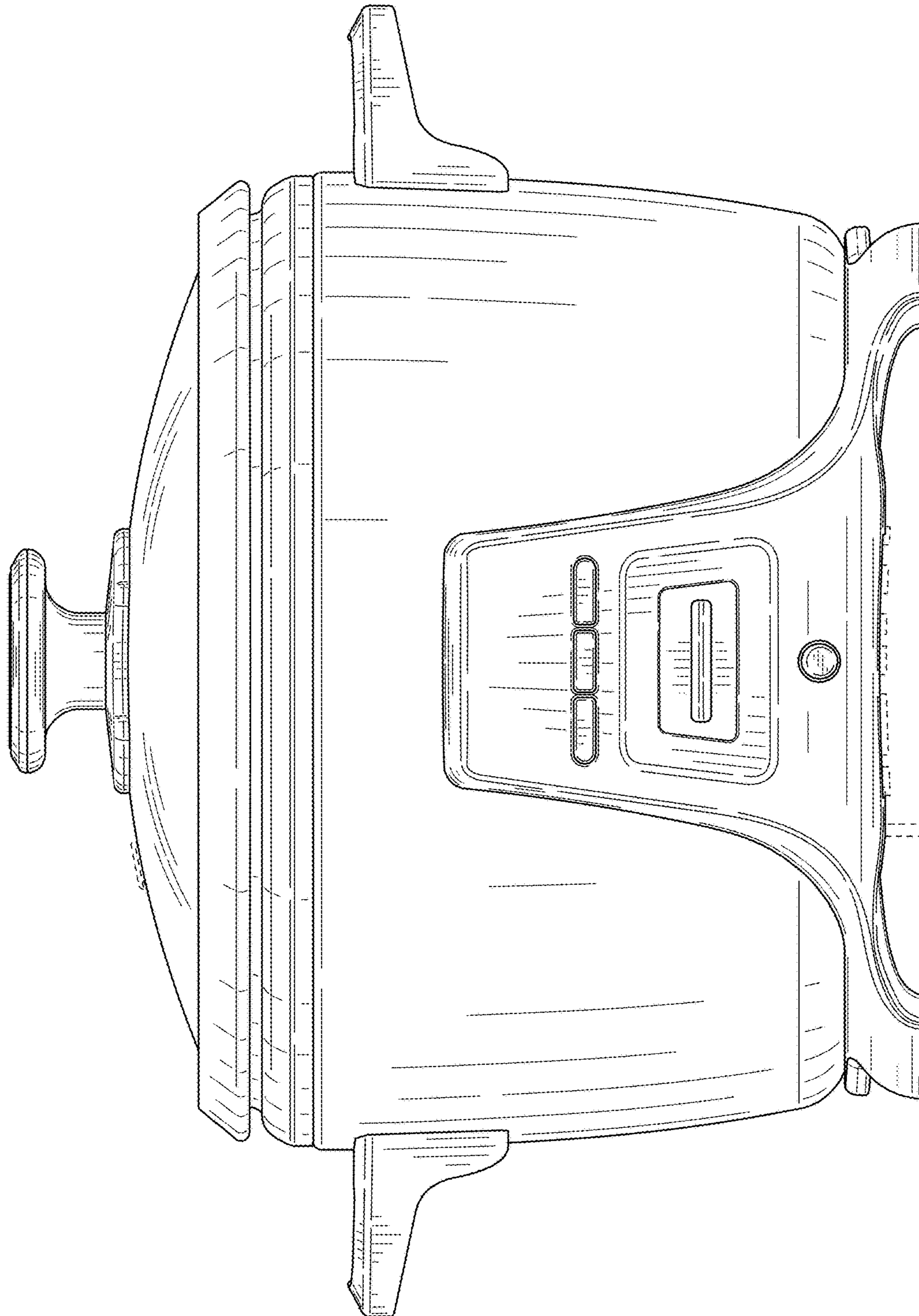


FIG. 2

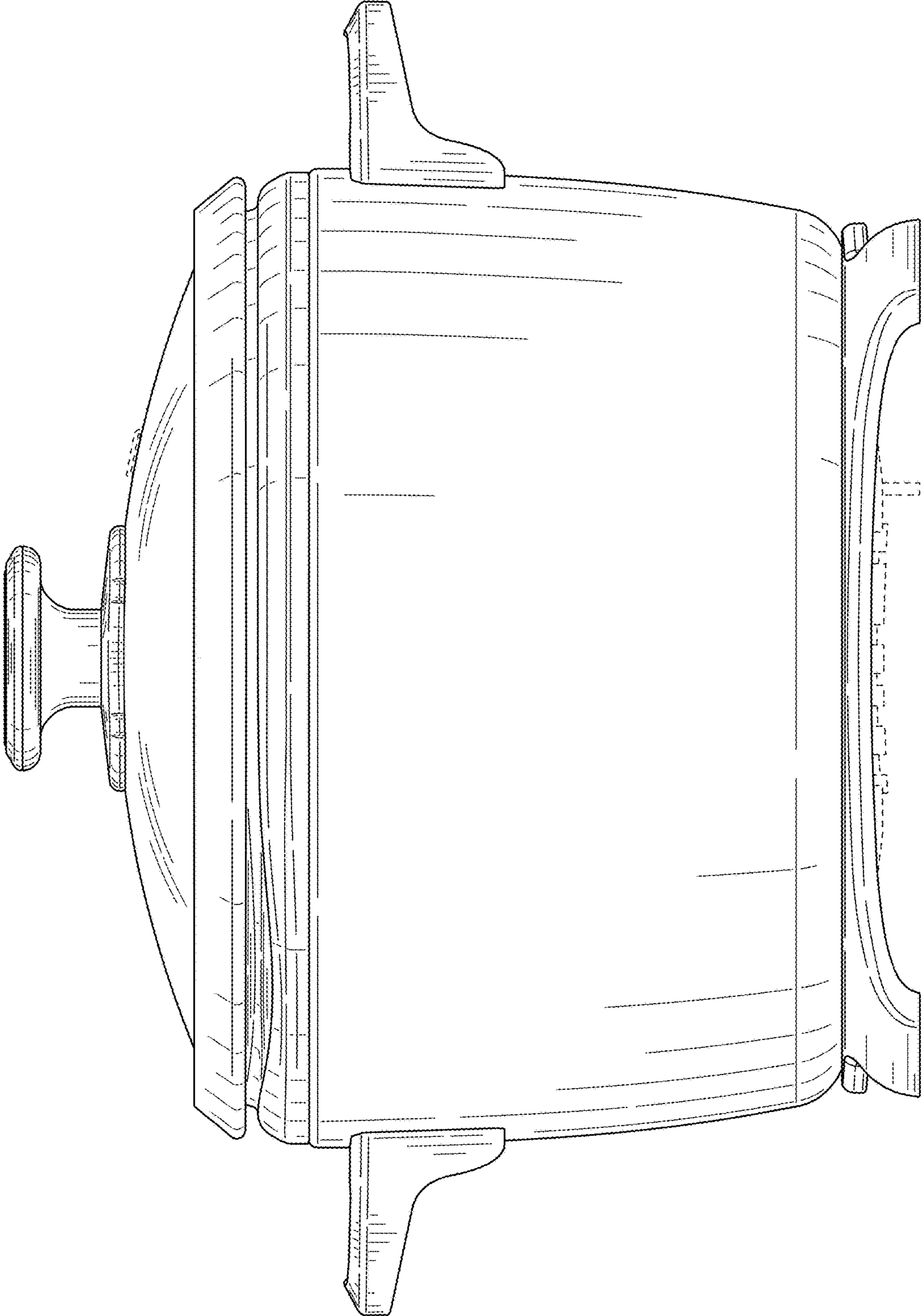


FIG. 3

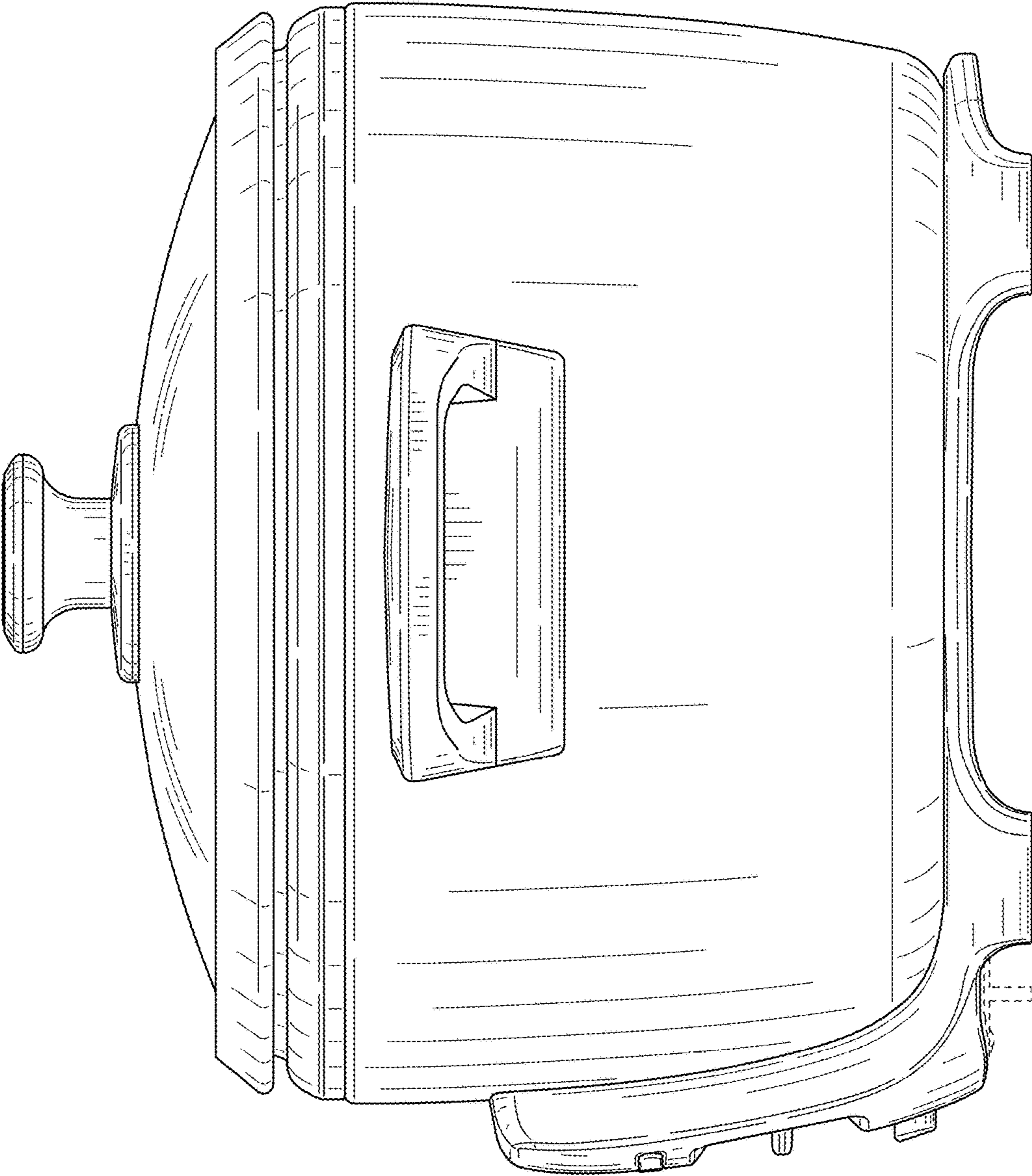


FIG. 4

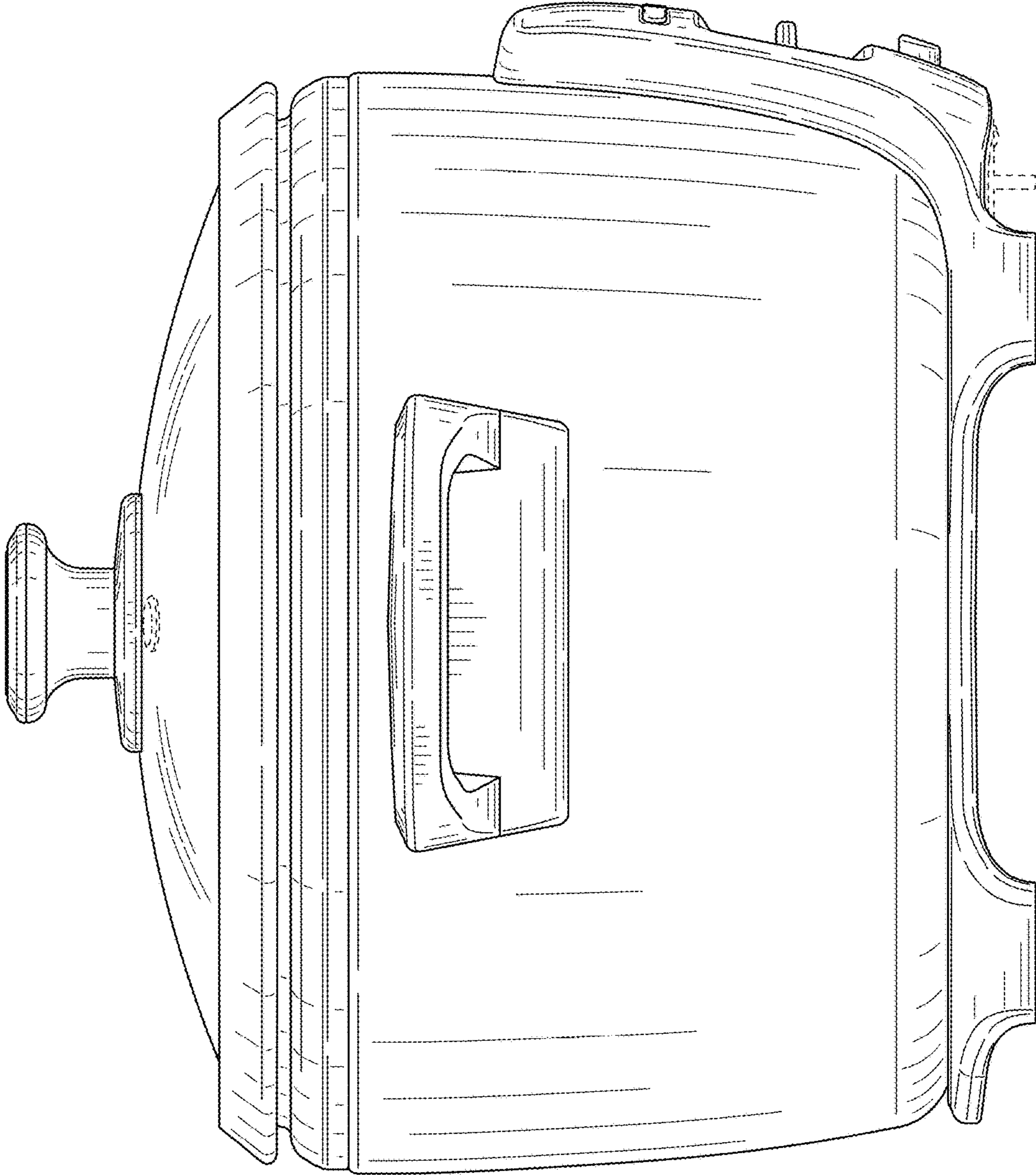


FIG. 5

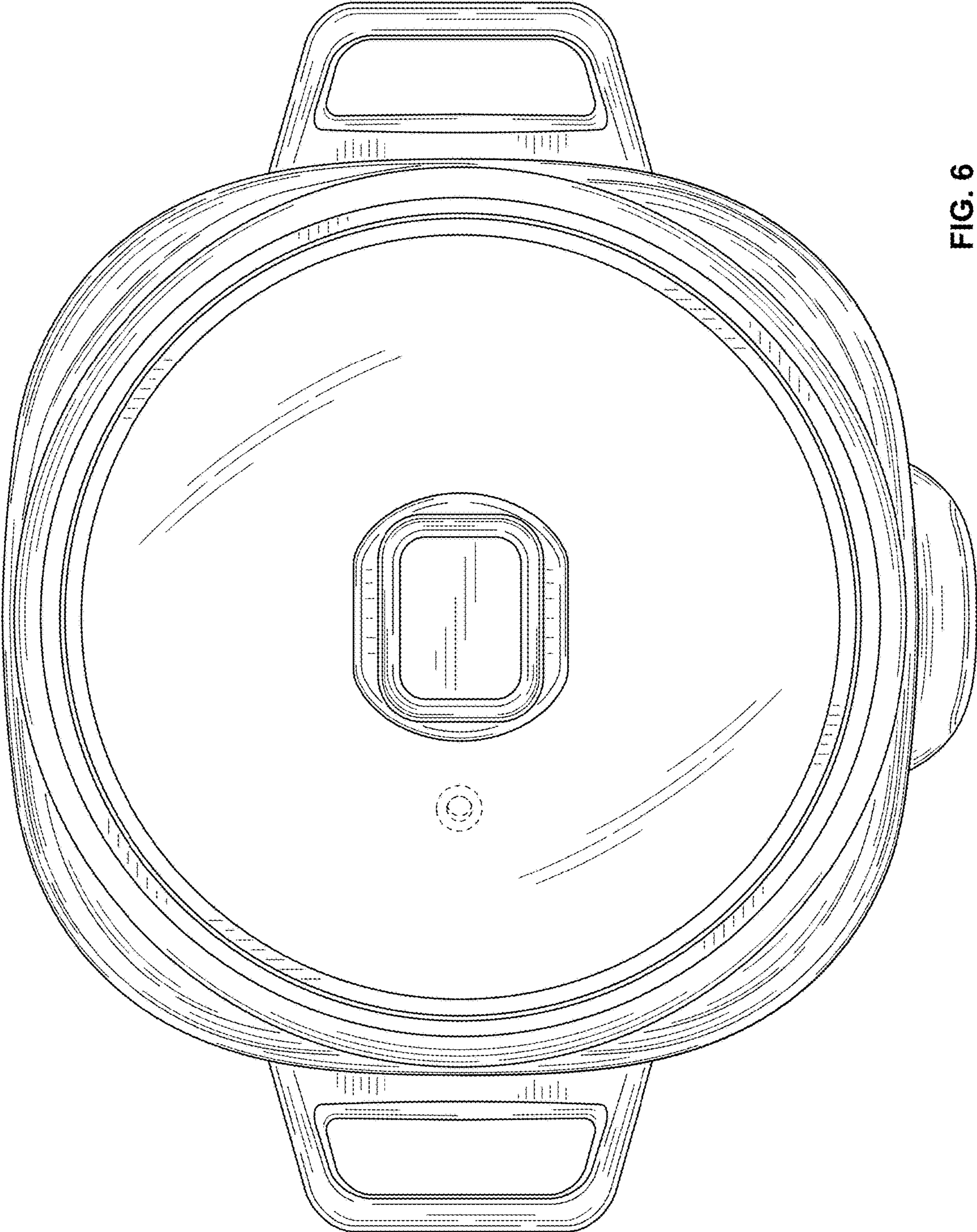


FIG. 6

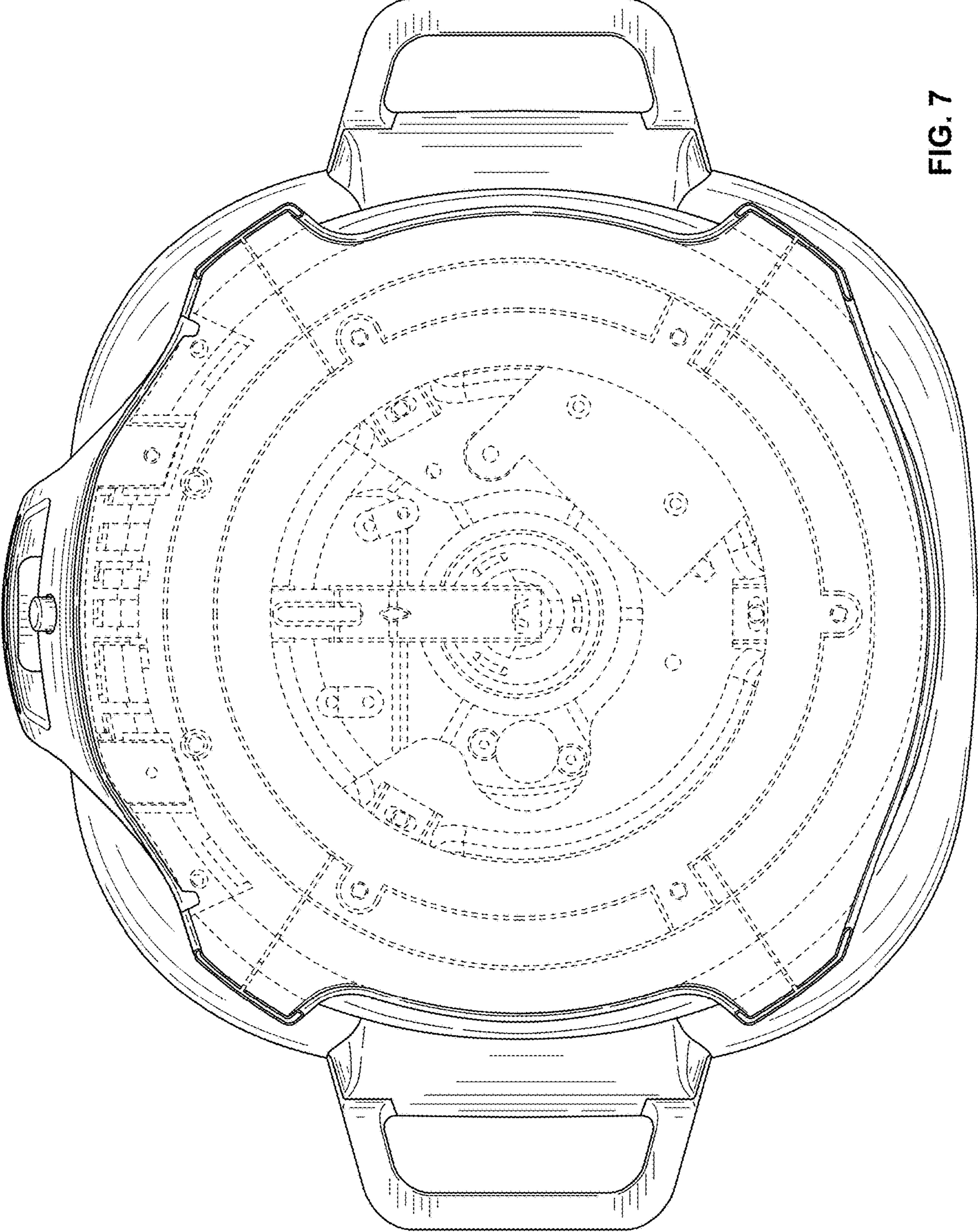


FIG. 7