



US00D788513S

(12) **United States Design Patent**
Chung et al.

(10) **Patent No.:** **US D788,513 S**
(45) **Date of Patent:** **** Jun. 6, 2017**

- (54) **ELECTRIC OVEN RANGE**
- (71) Applicant: **LG ELECTRONICS INC., Seoul (KR)**
- (72) Inventors: **Wookjun Chung, Seoul (KR); Myungshik Kim, Seoul (KR); Sangwoog Cho, Seoul (KR); Jaehun Chung, Seoul (KR); Sangwoo Kim, Seoul (KR)**
- (73) Assignee: **LG ELECTRONICS INC., Seoul (KR)**
- (**) Term: **15 Years**
- (21) Appl. No.: **29/568,638**
- (22) Filed: **Jun. 20, 2016**

- D511,925 S * 11/2005 Baldwin D7/340
- D521,317 S * 5/2006 Hessen D7/340
- D525,476 S * 7/2006 Bengtson D7/349
- D530,972 S * 10/2006 Park D7/340
- D555,976 S * 11/2007 Baldwin D7/405
- D560,959 S * 2/2008 Shin D7/348
- D604,987 S * 12/2009 Jung D7/348
- D612,684 S * 3/2010 Baker D7/405
- D612,685 S * 3/2010 Baker D7/405
- D620,751 S * 8/2010 Cline D7/405
- D623,889 S * 9/2010 Kim D7/340
- D634,156 S * 3/2011 Fuller D7/393
- D637,886 S * 5/2011 Bengtson D8/311
- D642,007 S * 7/2011 Lee D7/340
- D642,042 S * 7/2011 Kim D8/311
- D651,461 S * 1/2012 Browne D7/405
- D655,128 S * 3/2012 Kim D7/340
- D671,790 S * 12/2012 Busalt D7/349
- D696,554 S * 12/2013 Kim D7/406
- D704,978 S * 5/2014 Kim D7/340
- D710,644 S * 8/2014 Kim D7/340

(Continued)

(30) **Foreign Application Priority Data**

Dec. 21, 2015 (KR) 30-2015-0065233

- (51) **LOC (10) Cl.** **07-02**
- (52) **U.S. Cl.**
USPC **D7/340; D7/348; D7/344; D7/346; D7/323**

- (58) **Field of Classification Search**
USPC D7/323, 328-330, 339-349, 354, 362, D7/363, 402-408; D8/300-306
CPC F24C 1/00; F24C 3/00; F24C 7/00; F24C 7/002; F24C 7/046; F24C 7/067; F24C 15/00; F24C 15/02; A21B 2/00; A47J 36/26; A47J 37/00; A47J 37/041; A47J 37/04; A47J 37/06; A47J 37/08
See application file for complete search history.

(56) **References Cited**

U.S. PATENT DOCUMENTS

- D400,778 S * 11/1998 Holbrook, Jr. D8/311
- D424,873 S * 5/2000 Holbrook D7/402

Primary Examiner — Caron D Veynar
Assistant Examiner — Mehri Bajoul
 (74) *Attorney, Agent, or Firm* — Birch, Stewart, Kolasch & Birch, LLP

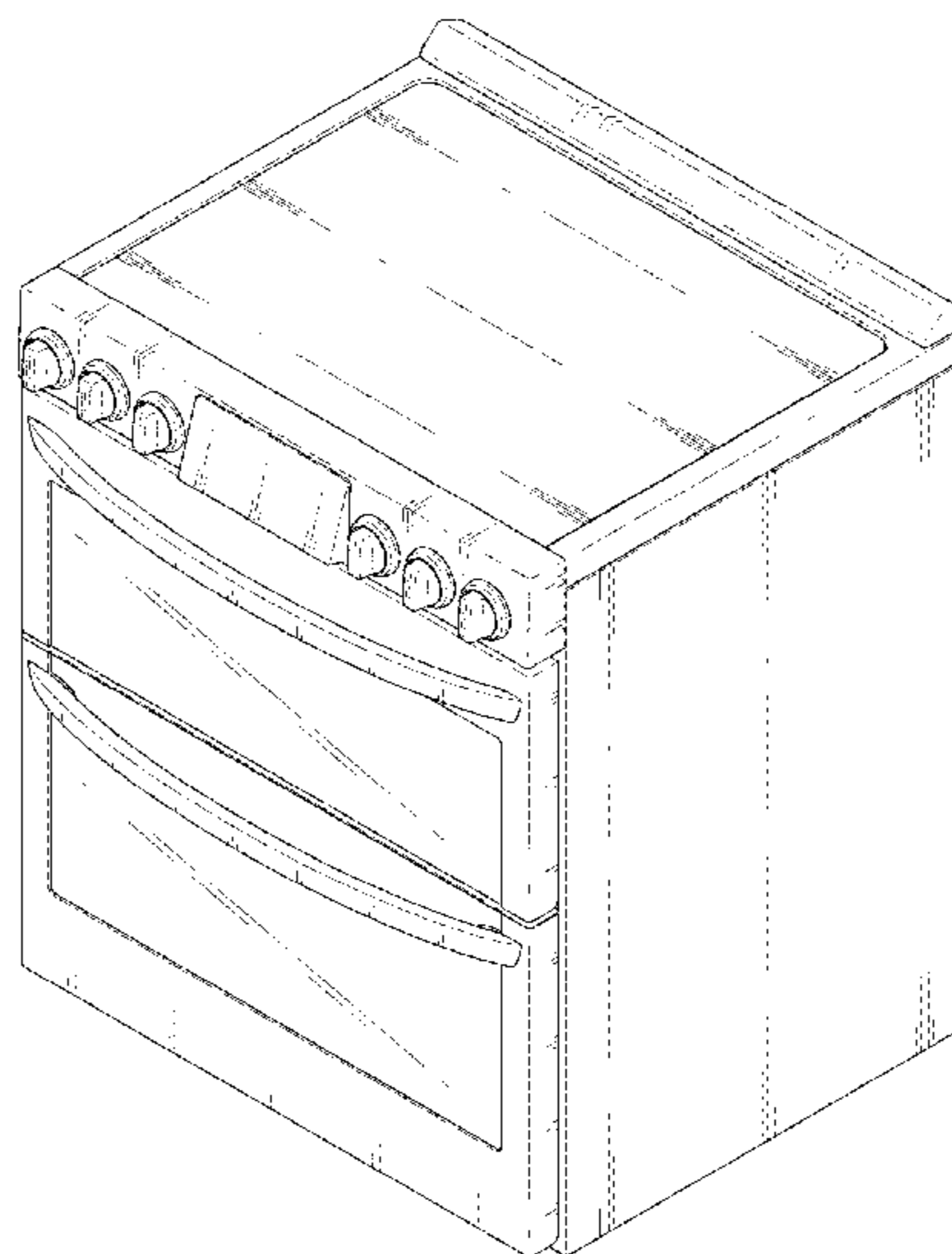
(57) **CLAIM**

The ornamental design for a electric oven range, as shown and described.

DESCRIPTION

FIG. 1 is a front, right side, perspective view of a electric oven range showing our new design;
 FIG. 2 is a front view thereof;
 FIG. 3 is a rear view thereof;
 FIG. 4 is a left side view thereof;
 FIG. 5 is a right side view thereof;
 FIG. 6 is a top view thereof; and,
 FIG. 7 is a bottom view.

1 Claim, 6 Drawing Sheets



(56)

References Cited

U.S. PATENT DOCUMENTS

| | | | | |
|--------------|------|---------|-------------------|-------------------------|
| D710,645 | S * | 8/2014 | Kim | D7/340 |
| D714,366 | S * | 9/2014 | Jeon | D15/89 |
| D731,844 | S * | 6/2015 | Kim | D7/340 |
| D736,027 | S * | 8/2015 | Funnell, II | D7/339 |
| D748,166 | S * | 1/2016 | Jeon | D15/89 |
| D755,007 | S * | 5/2016 | Lee | D7/405 |
| D755,008 | S * | 5/2016 | Kim | D7/406 |
| D755,009 | S * | 5/2016 | Kim | D7/406 |
| D755,558 | S * | 5/2016 | Lee | D7/340 |
| D755,563 | S * | 5/2016 | Kim | D7/406 |
| D763,616 | S * | 8/2016 | Kim | D7/339 |
| D764,853 | S * | 8/2016 | Kim | D7/339 |
| D767,325 | S * | 9/2016 | Funnell, II | D7/346 |
| D778,110 | S * | 2/2017 | Lee | D7/406 |
| 2008/0223356 | A1 * | 9/2008 | Shenouda | F24C 15/083 126/1 R |
| 2009/0039068 | A1 * | 2/2009 | Boutwell | F24C 7/08 219/220 |
| 2009/0078244 | A1 * | 3/2009 | Kim | F24C 15/02 126/190 |
| 2014/0097172 | A1 * | 4/2014 | Kang | F24C 15/02 219/394 |
| 2015/0354828 | A1 * | 12/2015 | Adelmann | F24C 15/023 126/19 R |

* cited by examiner

FIG. 1

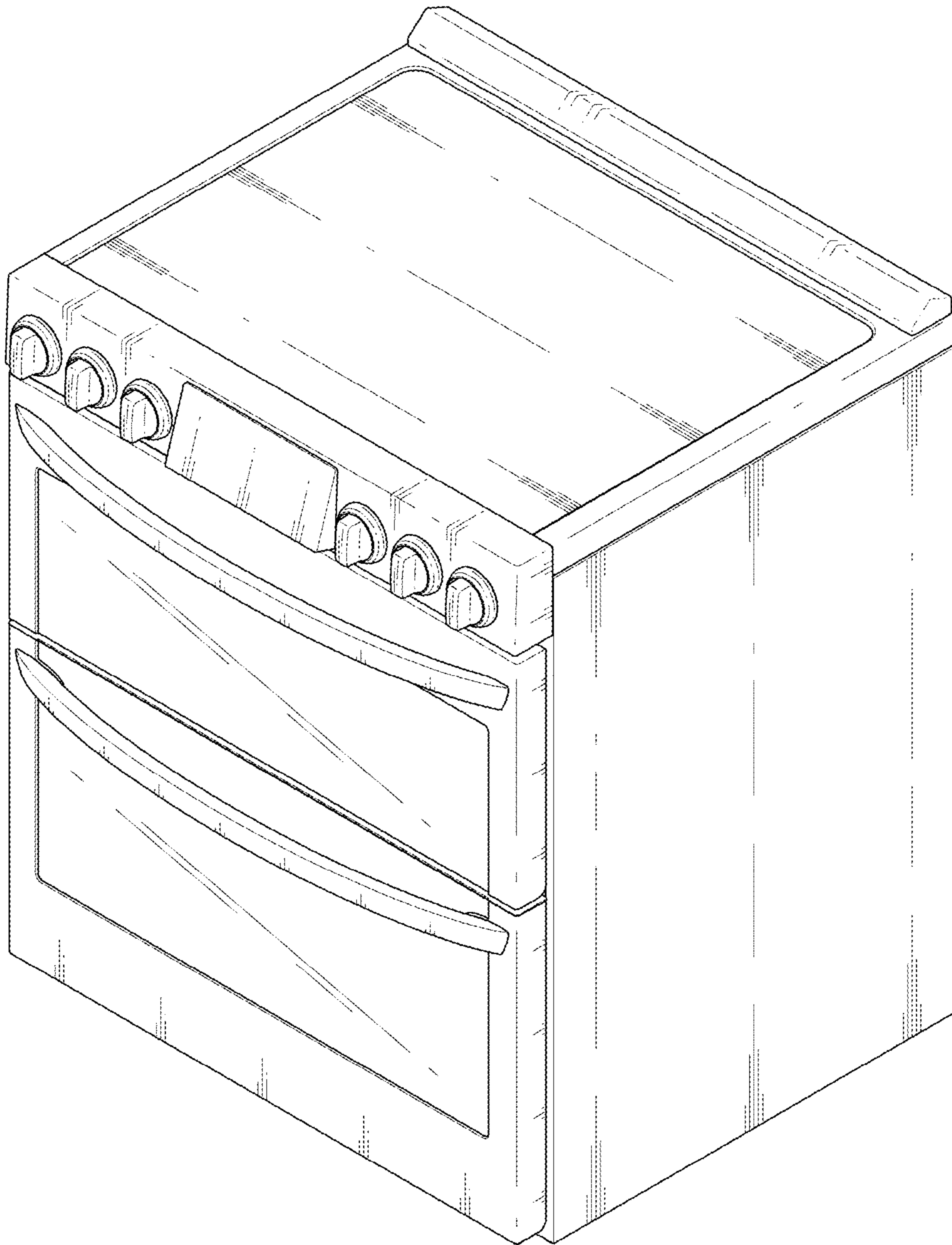


FIG. 2

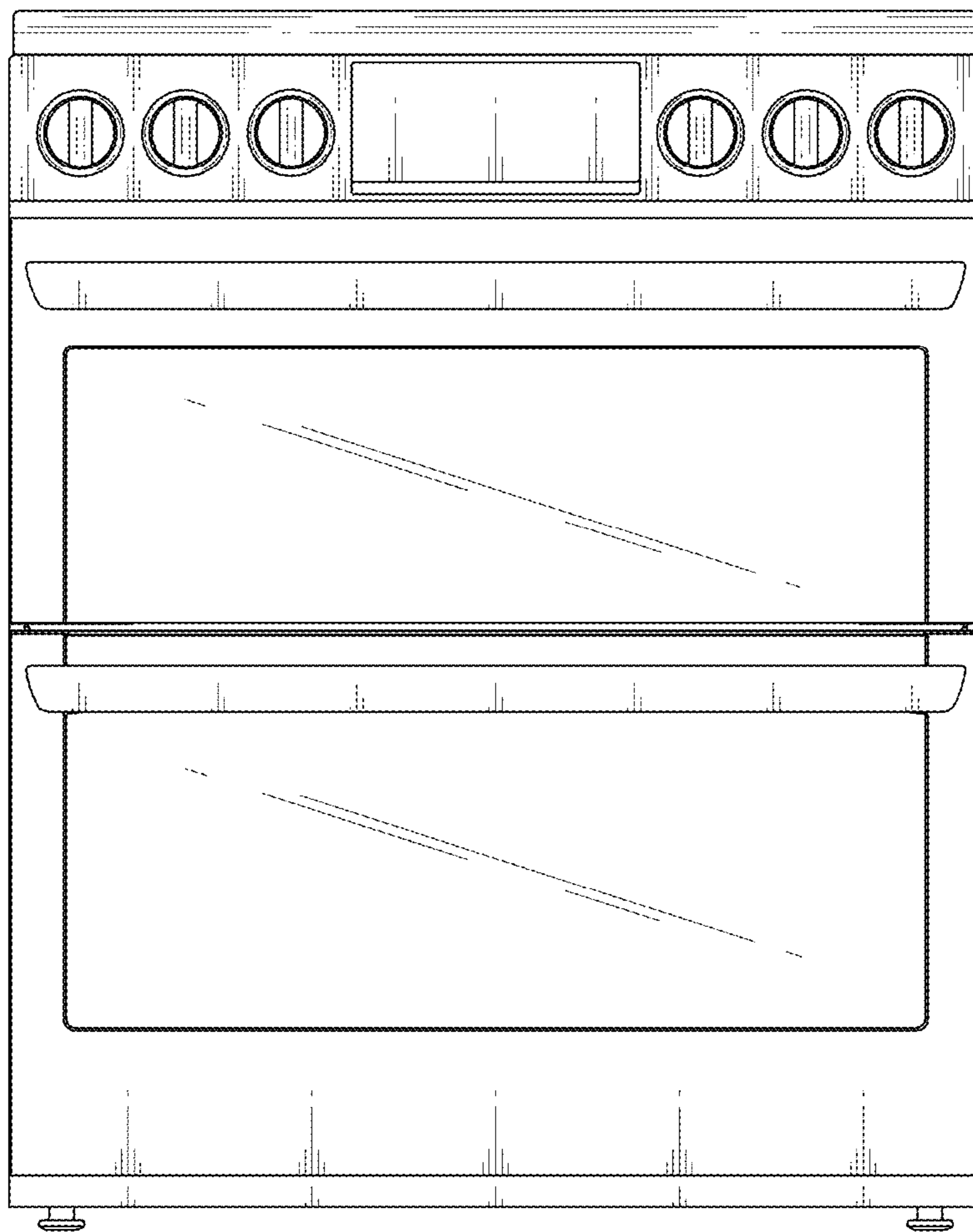


FIG. 3

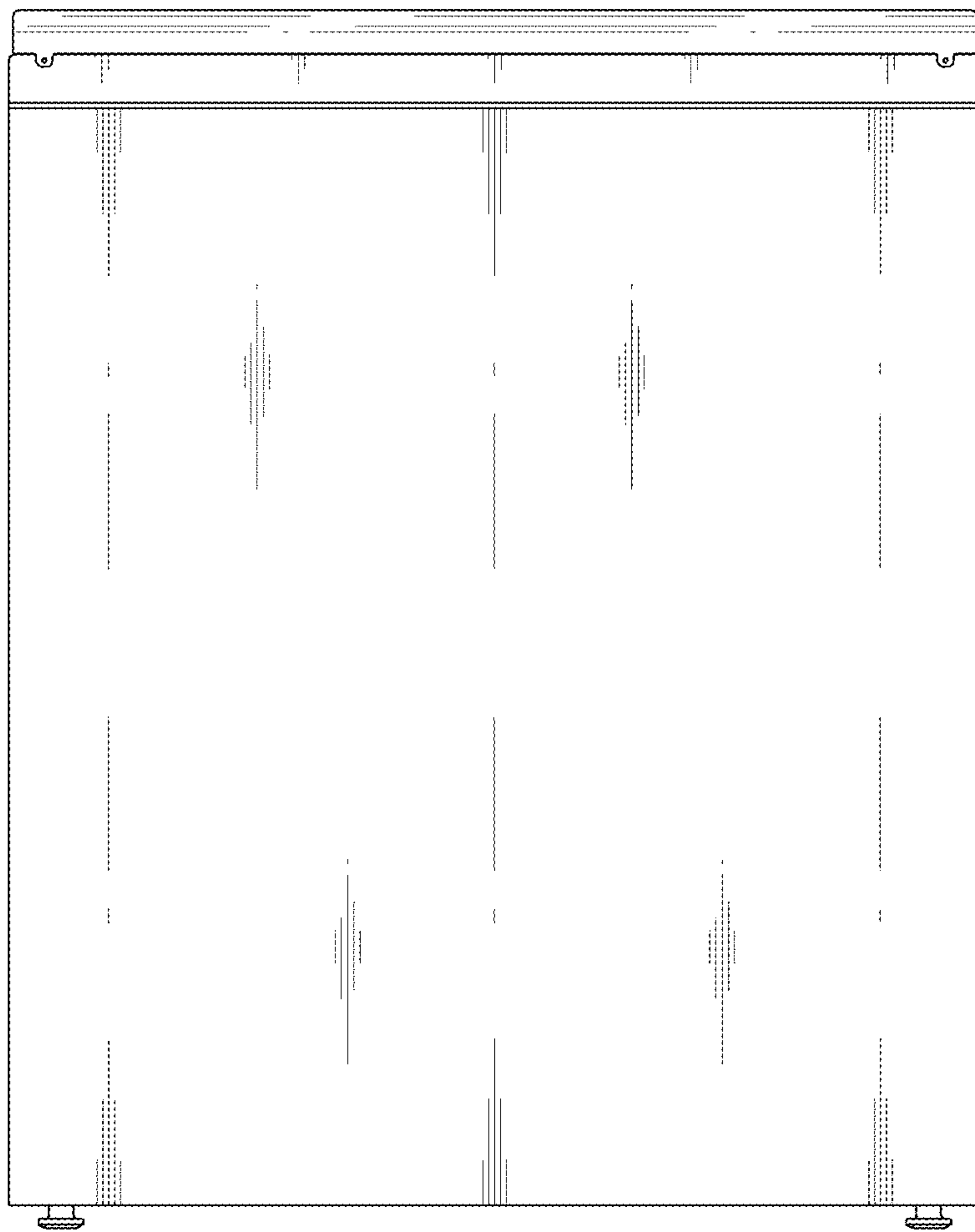


FIG. 4

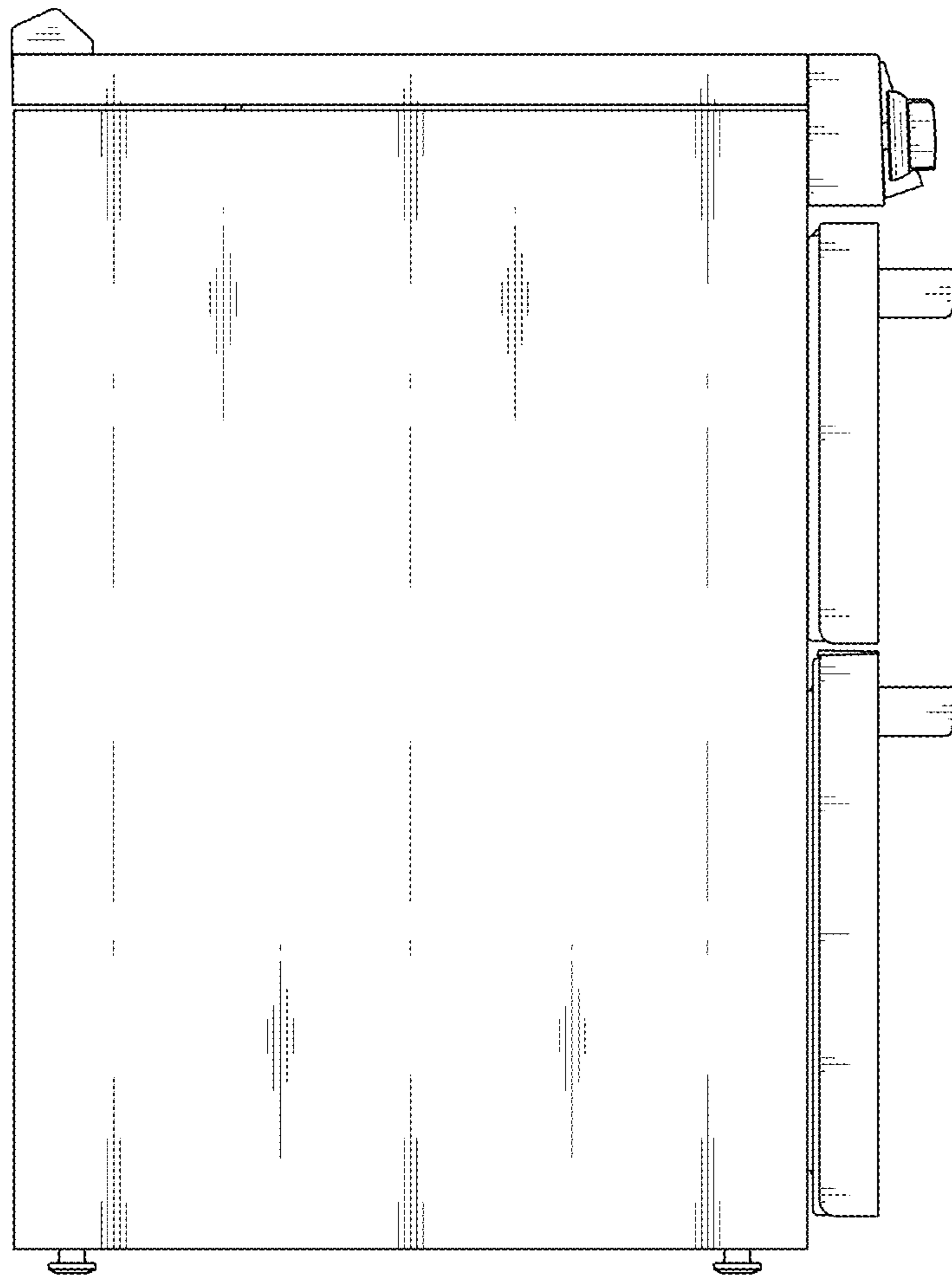


FIG. 5

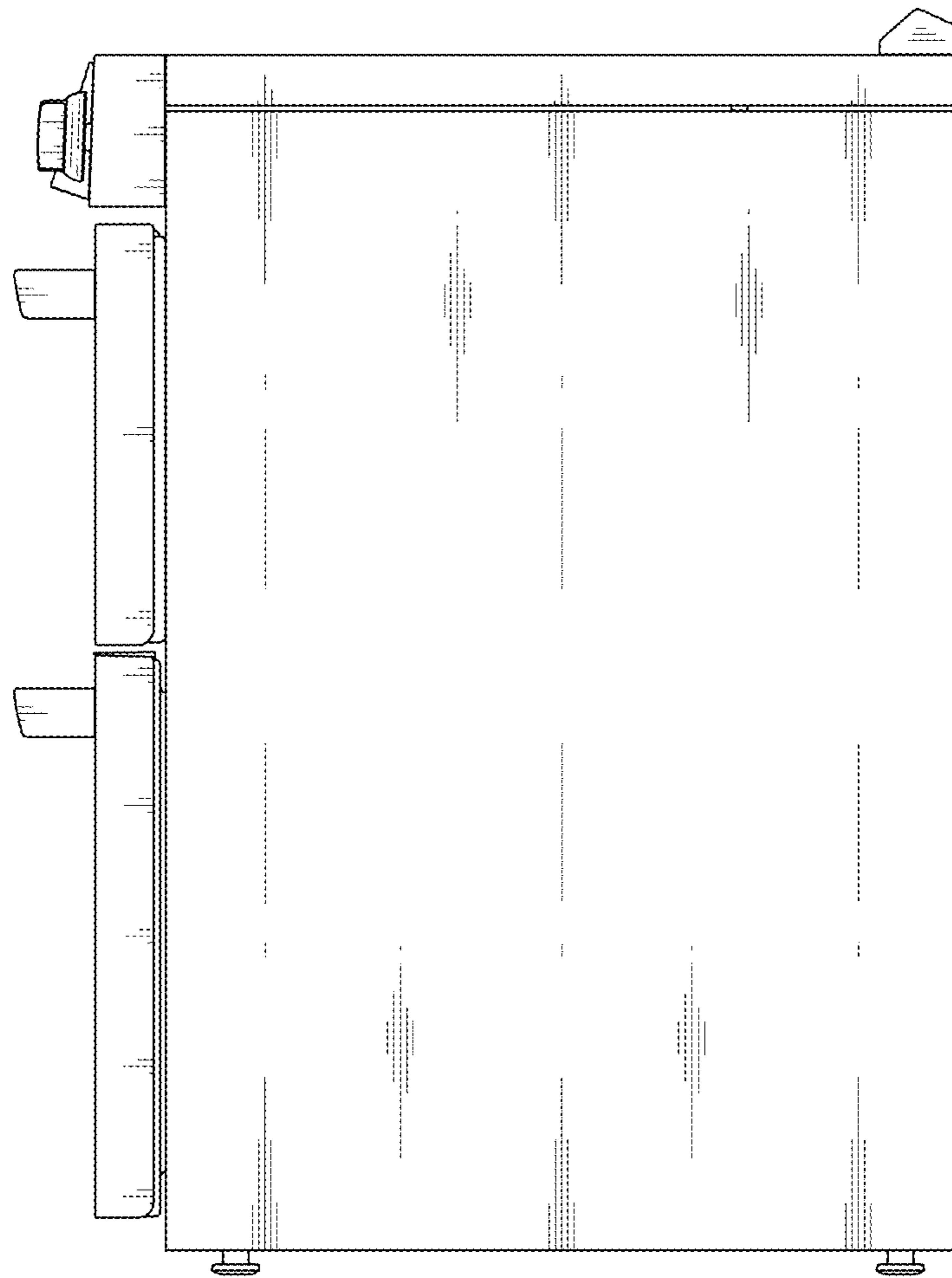


FIG. 6

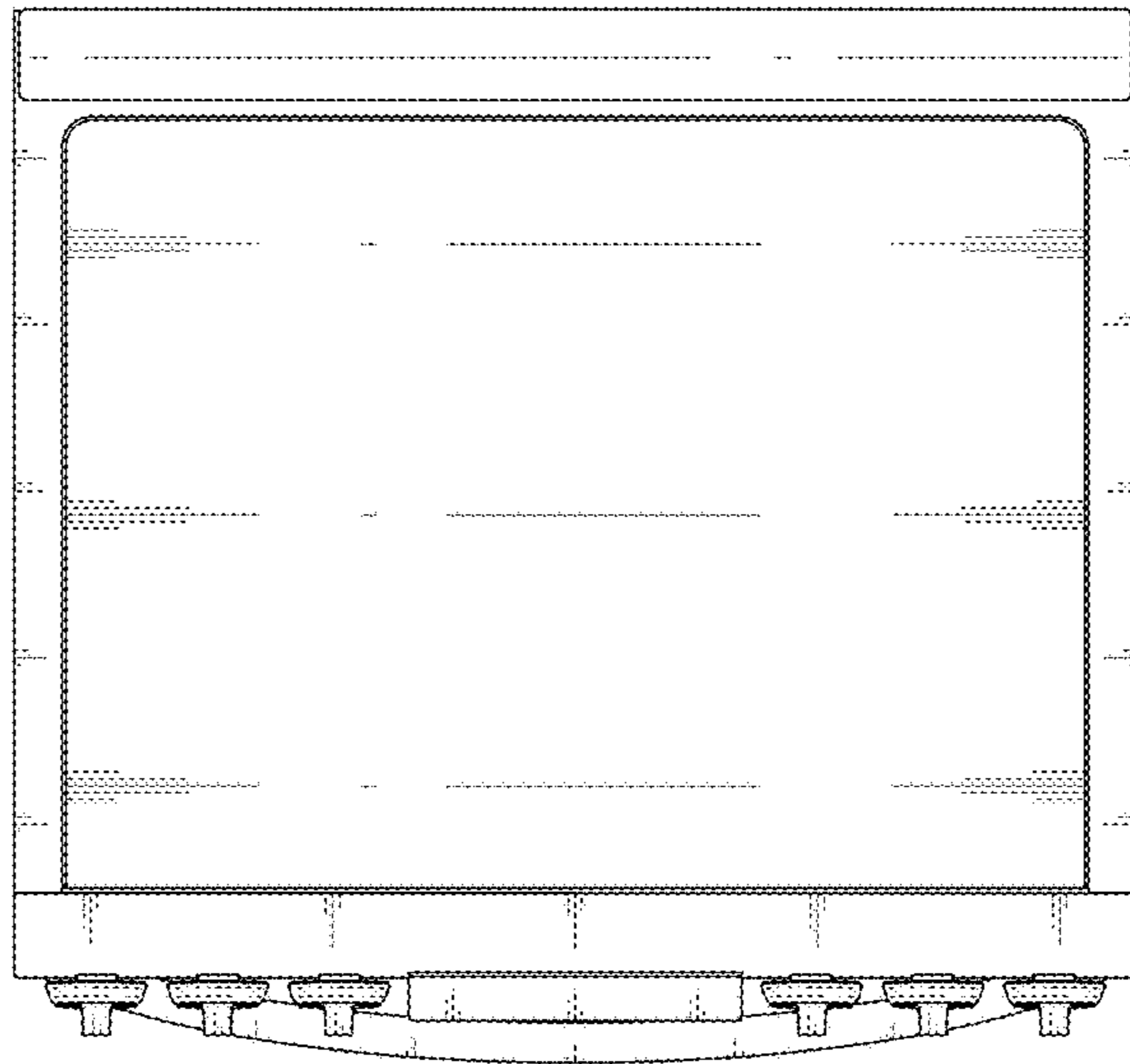


FIG. 7

