



US00D788512S

(12) **United States Design Patent**  
**Kim et al.**

(10) **Patent No.:** **US D788,512 S**

(45) **Date of Patent:** **\*\* Jun. 6, 2017**

- (54) **ELECTRIC OVEN RANGE**
- (71) Applicant: **LG ELECTRONICS INC.**, Seoul (KR)
- (72) Inventors: **Myungshik Kim**, Seoul (KR); **Sangwoog Cho**, Seoul (KR); **Jaehun Chung**, Seoul (KR); **Sangwoo Kim**, Seoul (KR)
- (73) Assignee: **LG ELECTRONICS INC.**, Seoul (KR)
- (\*\*) Term: **15 Years**
- (21) Appl. No.: **29/568,611**
- (22) Filed: **Jun. 20, 2016**
- (30) **Foreign Application Priority Data**

D511,925 S *	11/2005	Baldwin	.....	D7/340
D525,476 S *	7/2006	Bengtson	.....	D7/349
D530,971 S *	10/2006	Kim	.....	D7/340
D530,972 S *	10/2006	Park	.....	D7/340
D555,976 S *	11/2007	Baldwin	.....	D7/405
D564,282 S *	3/2008	Suh	.....	D7/340
D604,987 S *	12/2009	Jung	.....	D7/348
D610,863 S *	3/2010	Kim	.....	D7/340
D612,684 S *	3/2010	Baker	.....	D7/405
D612,685 S *	3/2010	Baker	.....	D7/405
D620,751 S *	8/2010	Cline	.....	D7/405
D634,156 S *	3/2011	Fuller	.....	D7/393
D637,886 S *	5/2011	Bengtson	.....	D8/311
D642,042 S *	7/2011	Kim	.....	D8/311
D646,921 S *	10/2011	Kim	.....	D7/340
D651,461 S *	1/2012	Browne	.....	D7/405
D655,128 S *	3/2012	Kim	.....	D7/340
D696,554 S *	12/2013	Kim	.....	D7/406
D704,978 S *	5/2014	Kim	.....	D7/340
D710,644 S *	8/2014	Kim	.....	D7/340
D710,645 S *	8/2014	Kim	.....	D7/340
D714,366 S *	9/2014	Jeon	.....	D15/89

(Continued)

- Dec. 21, 2015 (KR) ..... 30-2015-0065222
- (51) **LOC (10) Cl.** ..... **07-02**
- (52) **U.S. Cl.**  
USPC ..... **D7/340; D7/348; D7/346; D7/344; D7/323**
- (58) **Field of Classification Search**  
USPC ..... D7/323, 328-330, 339-349, 354, 362, D7/363, 402-408; D8/300-306  
CPC ..... F24C 1/00; F24C 3/00; F24C 7/00; F24C 7/002; F24C 7/046; F24C 7/067; F24C 15/00; F24C 15/02; A21B 2/00; A47J 36/26; A47J 37/00; A47J 37/04; A47J 37/06; A47J 37/08  
See application file for complete search history.

*Primary Examiner* — Caron D Veynar  
*Assistant Examiner* — Mehri Bajoul  
 (74) *Attorney, Agent, or Firm* — Birch, Stewart, Kolasch & Birch, LLP

(57) **CLAIM**

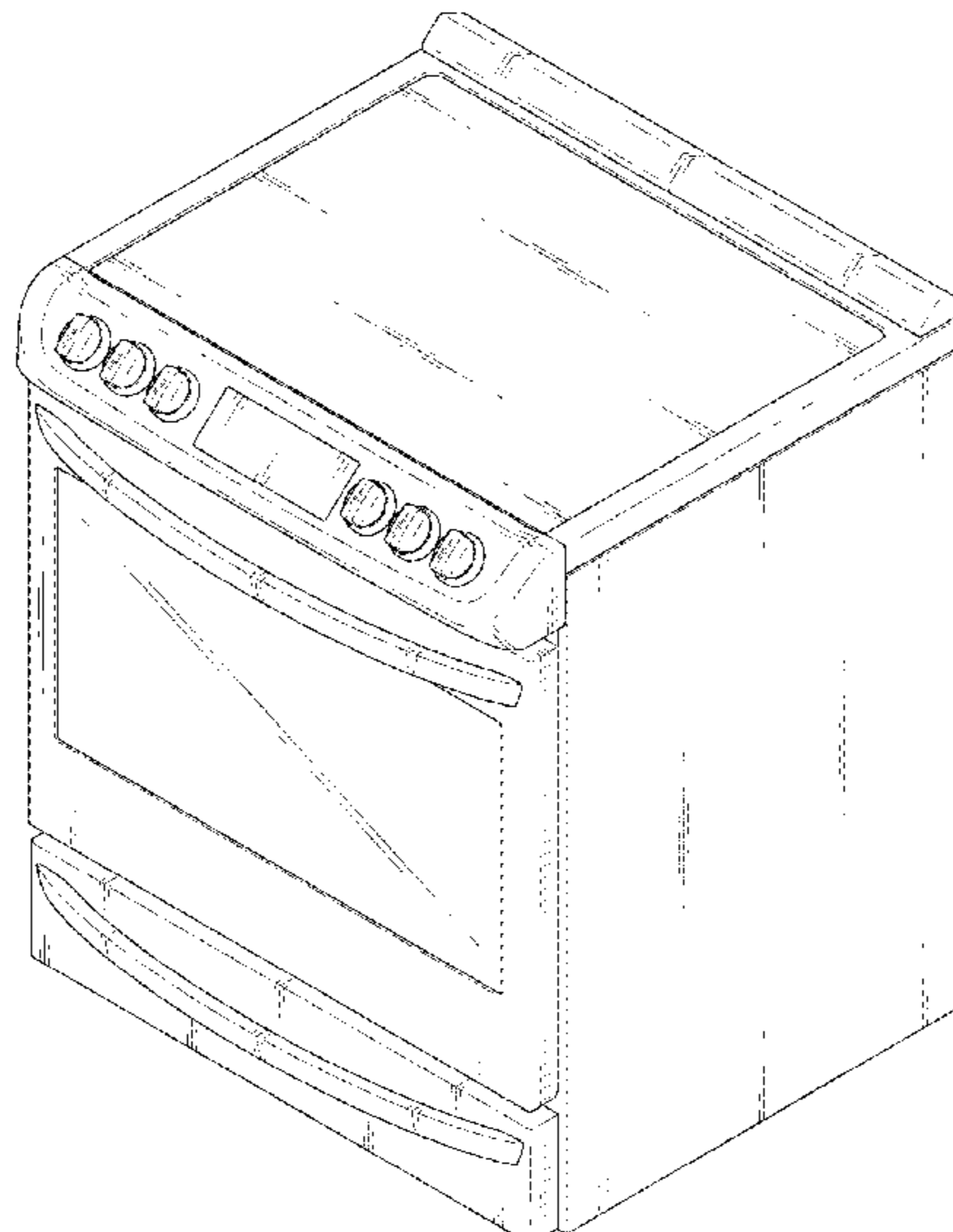
The ornamental design for a electric oven range, as shown and described.

**DESCRIPTION**

FIG. 1 is a front, right side, perspective view of a electric oven range showing our new design;  
 FIG. 2 is a front view thereof;  
 FIG. 3 is a rear view thereof;  
 FIG. 4 is a left side view thereof;  
 FIG. 5 is a right side view thereof;  
 FIG. 6 is a top view thereof; and,  
 FIG. 7 is a bottom view.

- (56) **References Cited**  
U.S. PATENT DOCUMENTS  
D400,778 S \* 11/1998 Holbrook, Jr. .... D8/311  
D424,873 S \* 5/2000 Holbrook ..... D7/402

**1 Claim, 6 Drawing Sheets**



(56)

**References Cited**

U.S. PATENT DOCUMENTS

D731,845	S *	6/2015	Kim .....	D7/340
D736,027	S *	8/2015	Funnell, II .....	D7/339
D755,007	S *	5/2016	Lee .....	D7/405
D755,008	S *	5/2016	Kim .....	D7/406
D755,009	S *	5/2016	Kim .....	D7/406
D755,558	S *	5/2016	Lee .....	D7/340
D755,563	S *	5/2016	Kim .....	D7/406
D764,853	S *	8/2016	Kim .....	D7/339
D767,325	S *	9/2016	Funnell, II .....	D7/346
D778,110	S *	2/2017	Lee .....	D7/406
2008/0223356	A1 *	9/2008	Shenouda .....	F24C 15/083 126/1 R
2009/0039068	A1 *	2/2009	Boutwell .....	F24C 7/08 219/220
2009/0078244	A1 *	3/2009	Kim .....	F24C 15/02 126/190

\* cited by examiner

FIG. 1

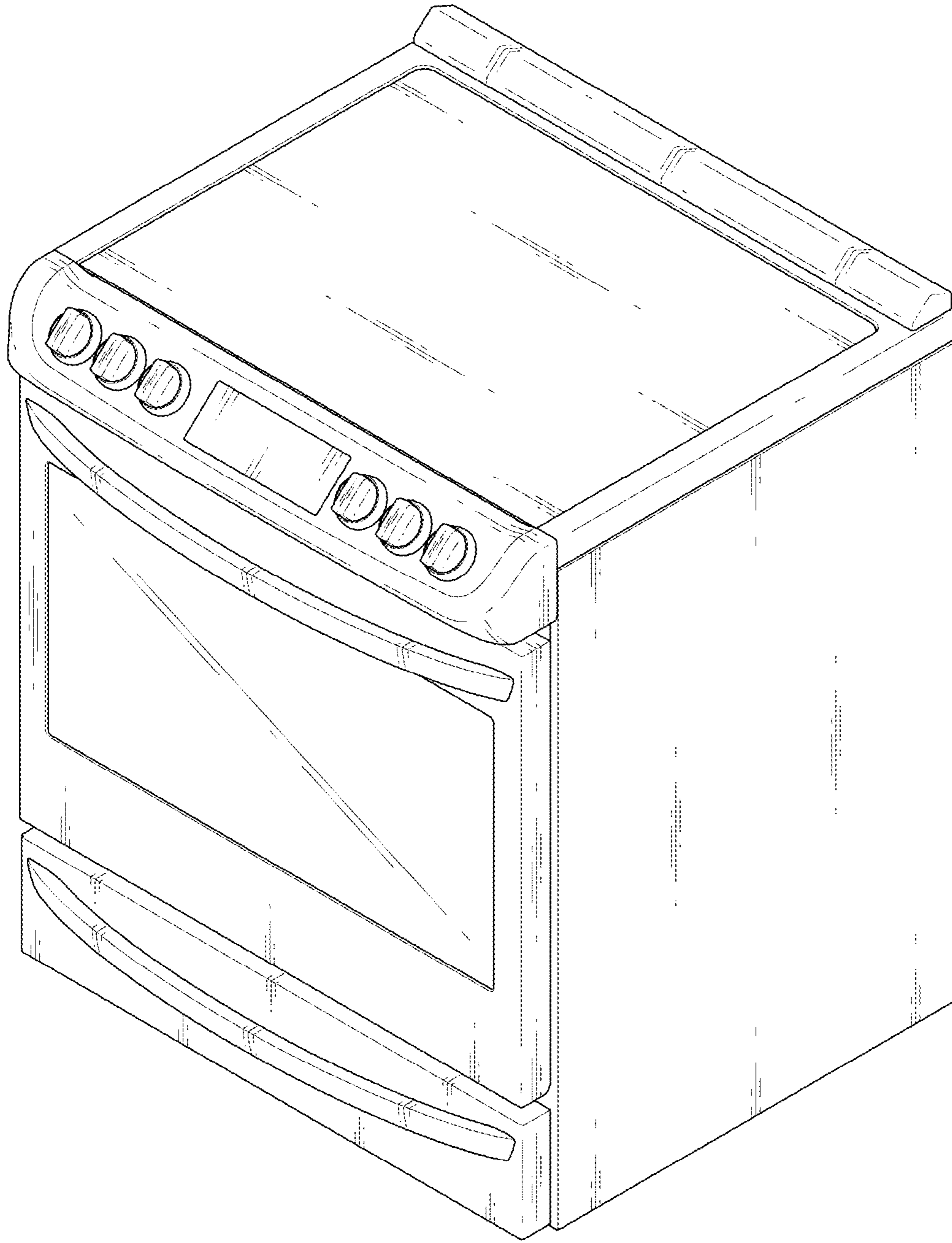


FIG. 2

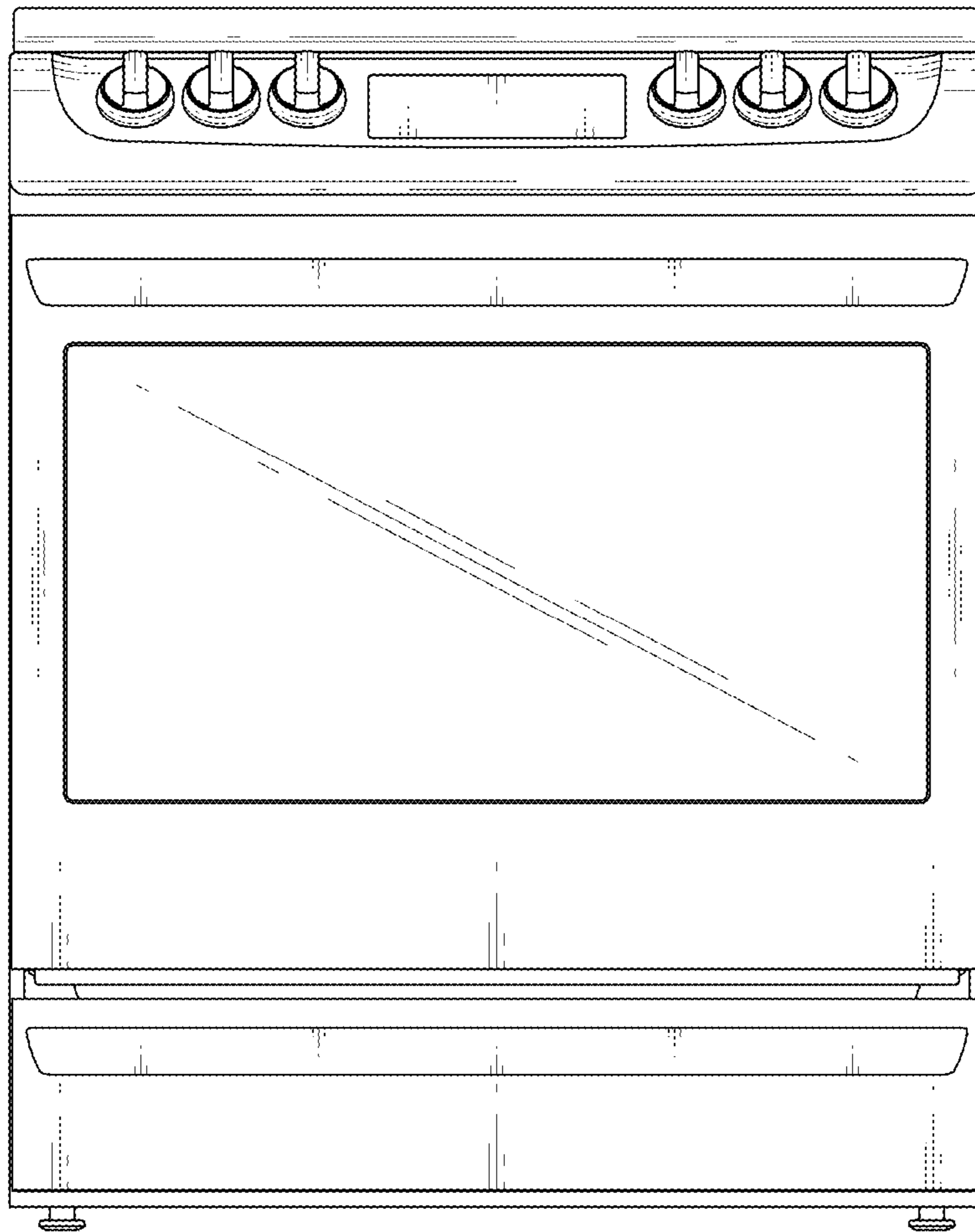


FIG. 3

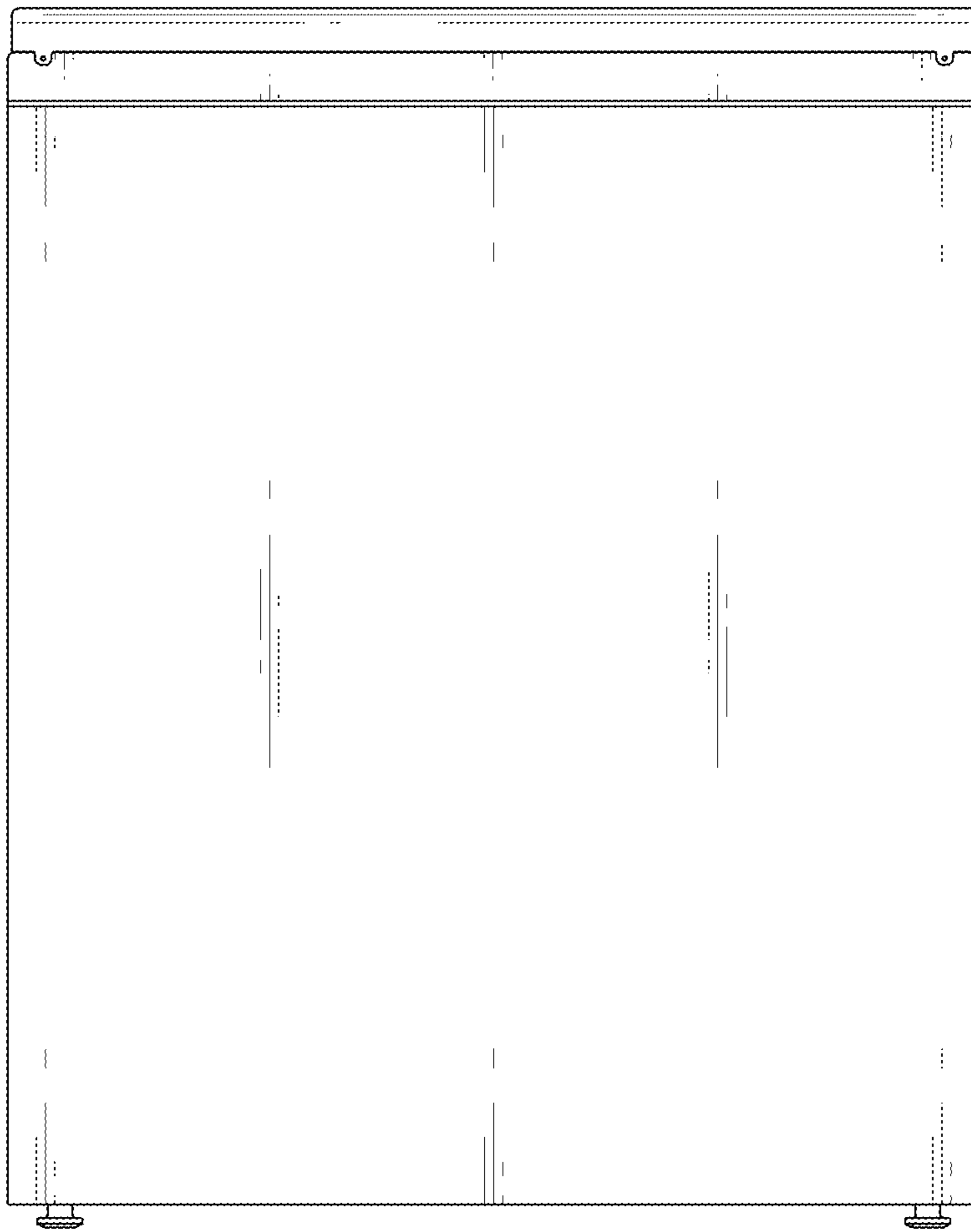


FIG. 4

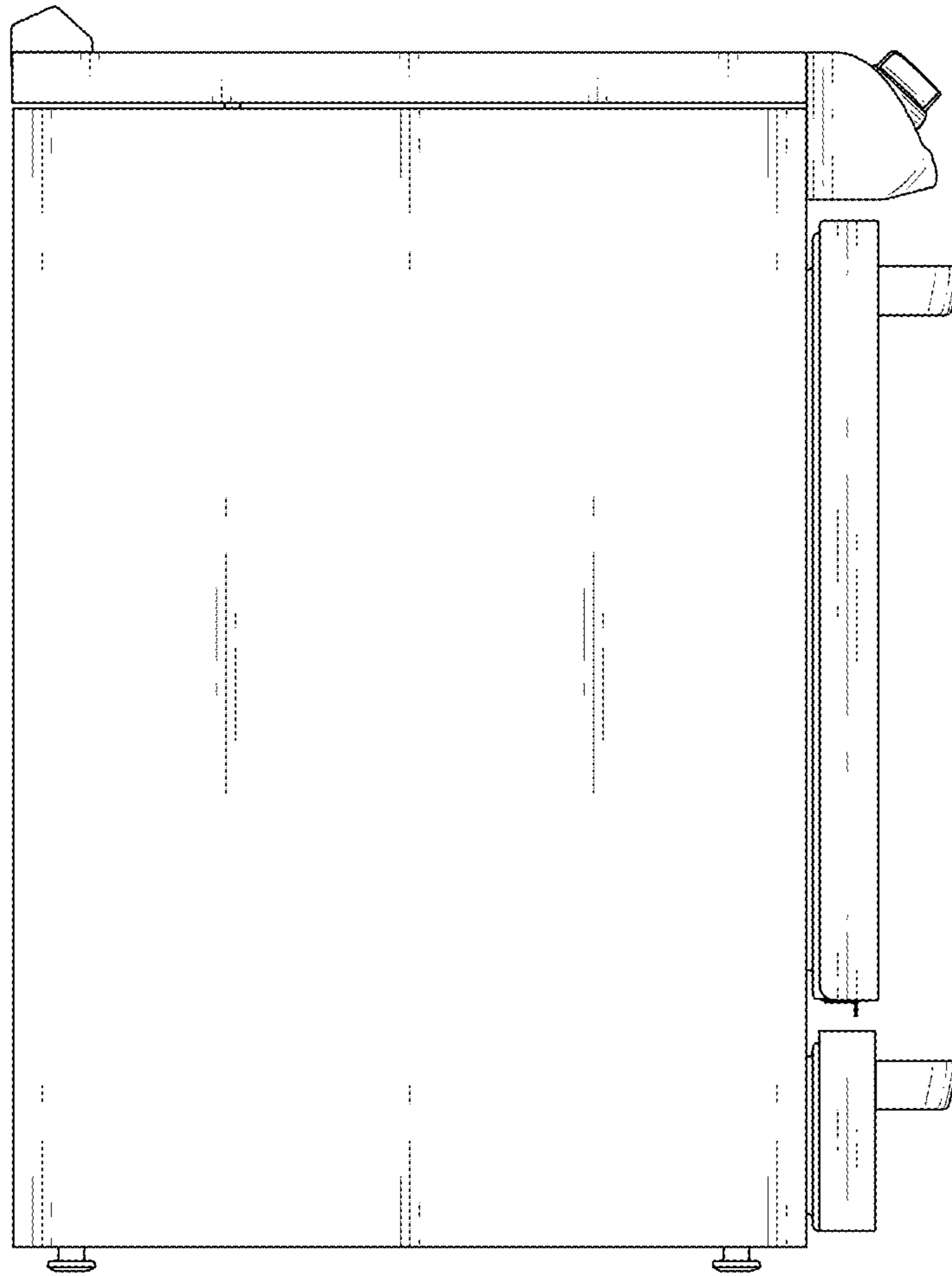


FIG. 5

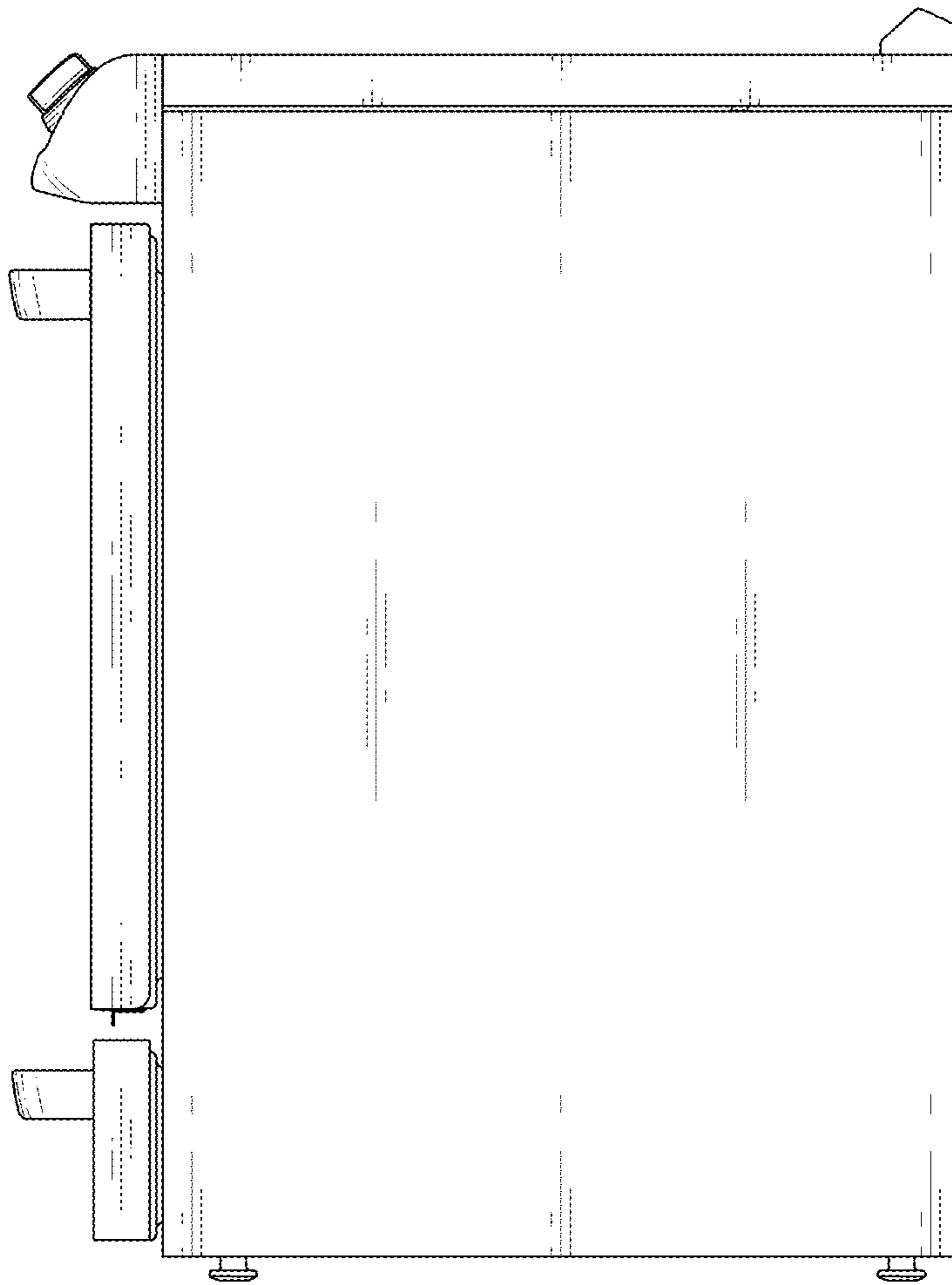


FIG. 6

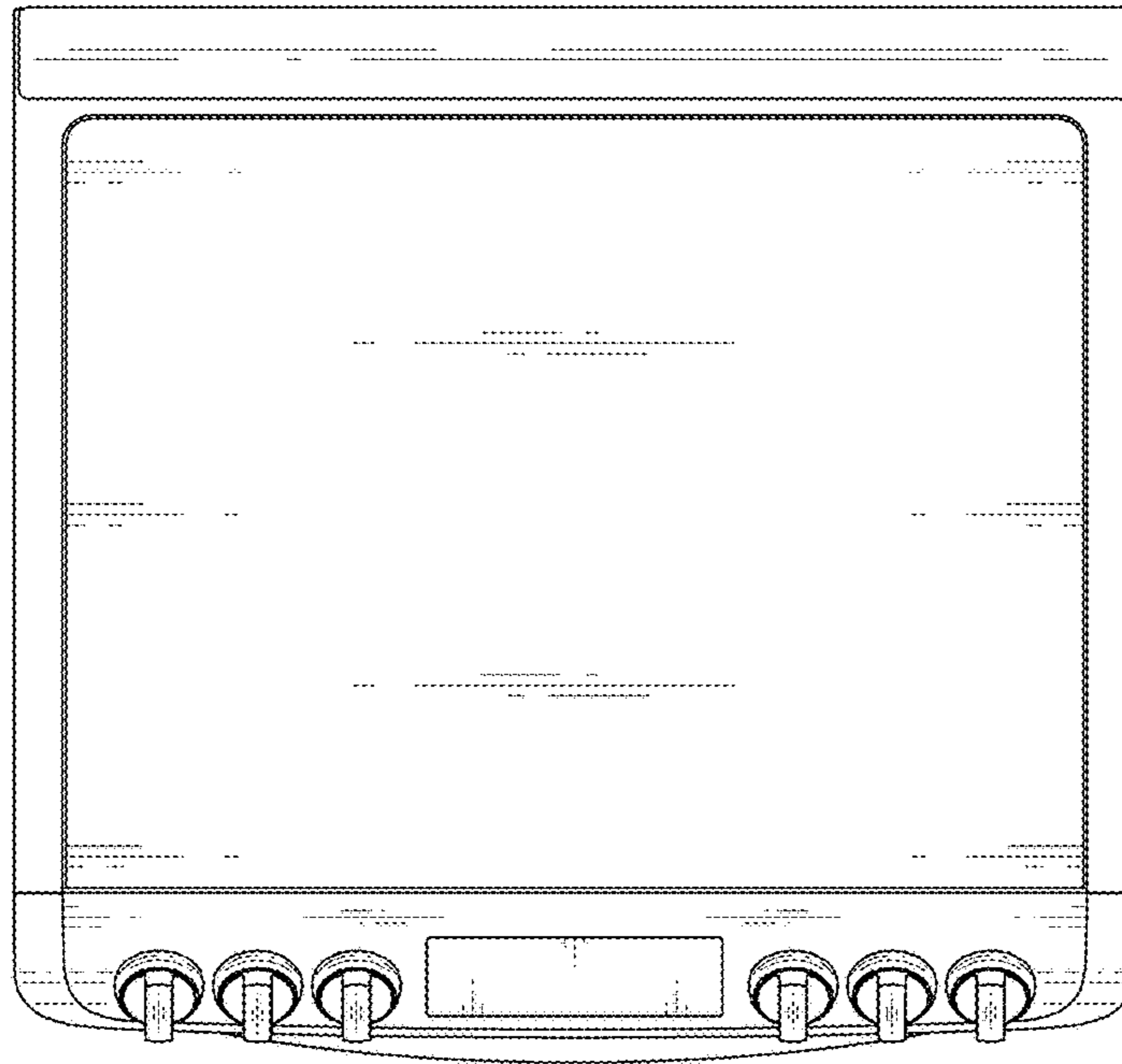


FIG. 7

