



US00D788511S

(12) **United States Design Patent**
Powell

(10) **Patent No.:** **US D788,511 S**

(45) **Date of Patent:** **** Jun. 6, 2017**

(54) **ELECTRIC KETTLE**

(71) Applicant: **SEB, Selongey (FR)**

(72) Inventor: **Dick Powell, London (GB)**

(73) Assignee: **SEB, Selongey (FR)**

(**) Term: **15 Years**

(21) Appl. No.: **29/561,129**

(22) Filed: **Apr. 13, 2016**

(30) **Foreign Application Priority Data**

Oct. 13, 2015 (EM) 002821017

(51) **LOC (10) Cl.** **07-01**

(52) **U.S. Cl.**
USPC **D7/318**

(58) **Field of Classification Search**
USPC D7/312, 316-319, 320, 322, 598, 600;
222/465.1

CPC A47J 127/21; A47J 127/21008; A47J
127/21041

See application file for complete search history.

(56) **References Cited**

U.S. PATENT DOCUMENTS

D285,160 S	8/1986	Osit
4,623,457 A	11/1986	Hankammer
D322,007 S	12/1991	Adams et al.
D339,023 S	9/1993	De Coster
D345,670 S	4/1994	Piret
D362,151 S	9/1995	Wilson et al.
D362,582 S	9/1995	Wilson et al.
D366,388 S	1/1996	Alessi Anghini et al.
D390,743 S	2/1998	Saltet
D393,569 S	4/1998	Lai et al.
D399,090 S	10/1998	Green
D437,175 S	2/2001	Brady

D439,466 S	3/2001	Bouhuys
D442,014 S	5/2001	Haring et al.
D463,947 S	10/2002	Choi
D475,233 S	6/2003	De Visser
6,755,120 B1	6/2004	Lin
D498,384 S	11/2004	McWilliam
D498,638 S	11/2004	Morrison
D528,846 S	9/2006	Tamura
D544,288 S	6/2007	Berlencourt
D554,425 S	11/2007	Schwamkrug
D562,053 S	2/2008	Cohen
D581,718 S	12/2008	Verdun
D595,534 S	7/2009	Mankowitz
D599,161 S	9/2009	Friel, Sr. et al.
D602,304 S	10/2009	Elissen
D607,686 S	1/2010	Elissen
D630,882 S *	1/2011	Cohen D7/317
D658,925 S	5/2012	Horimoto
D666,865 S	9/2012	Spivey et al.

(Continued)

Primary Examiner — Daniel Bui

Assistant Examiner — Andrew Kerr

(74) *Attorney, Agent, or Firm* — Loeb & Loeb LLP

(57) **CLAIM**

The ornamental design for an electric kettle, as shown and described.

DESCRIPTION

FIG. 1 is a perspective view of an electric kettle showing my new design;

FIG. 2 is a front elevational view thereof;

FIG. 3 is a rear elevational view thereof;

FIG. 4 is a right side elevational view thereof;

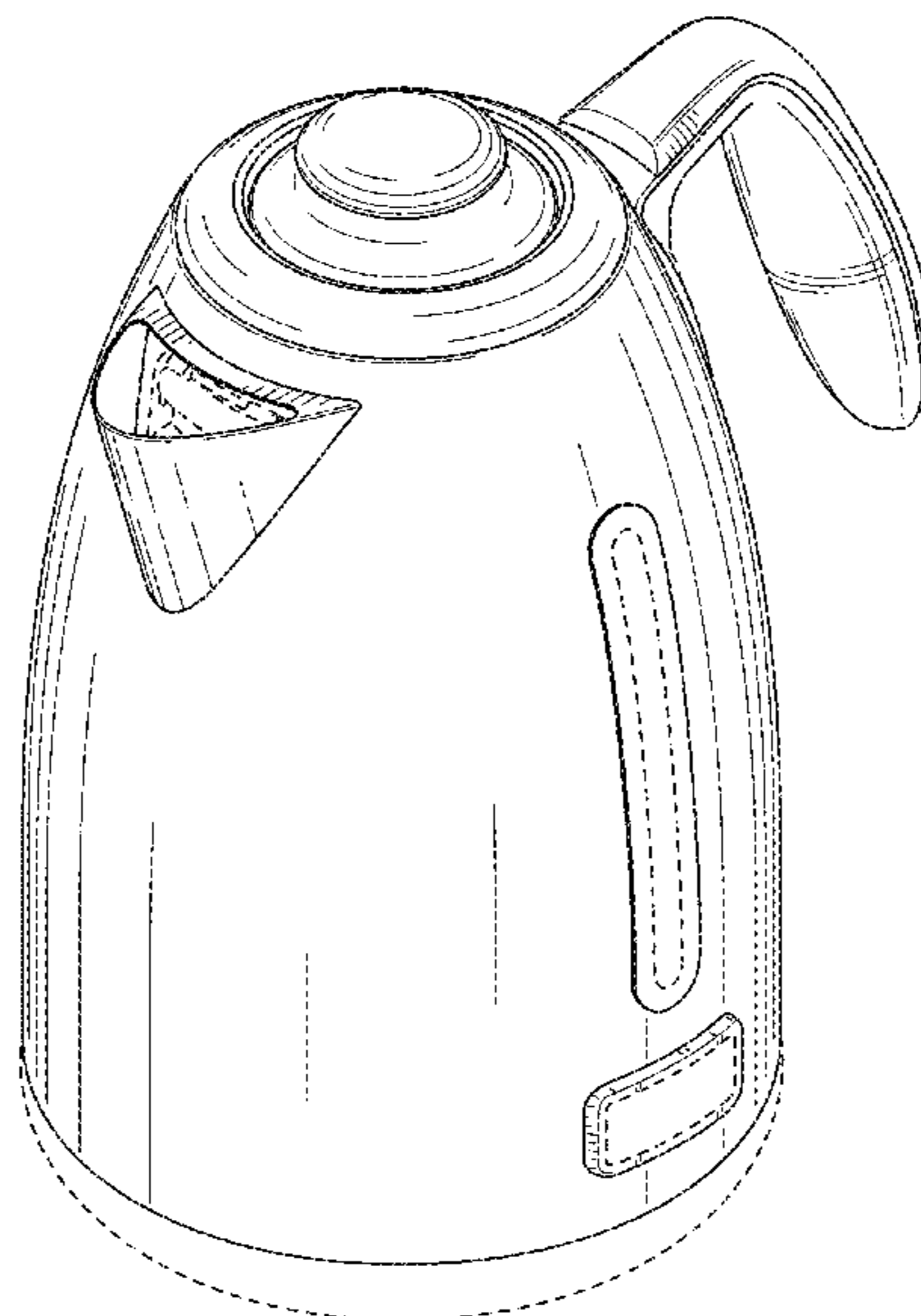
FIG. 5 is a left side elevational view thereof;

FIG. 6 is a top plan view thereof; and,

FIG. 7 is a bottom plan view thereof.

The broken lines in the drawing views are included for the purpose of illustrating unclaimed environment only, and forms no part of the claimed design.

1 Claim, 7 Drawing Sheets



(56)

References Cited

U.S. PATENT DOCUMENTS

D686,034 S	7/2013	Bodum	
8,536,490 B2	9/2013	Zhang et al.	
D703,479 S	4/2014	Norland et al.	
D709,724 S	7/2014	Mander	
D714,581 S	10/2014	Shao	
D718,974 S *	12/2014	De'Longhi	D7/317
D726,486 S *	4/2015	Averty	D7/312
D731,226 S	6/2015	Sun	
D747,130 S	1/2016	Kunz	
D752,911 S *	4/2016	Bazzicalupo	D7/317
D779,259 S *	2/2017	De' Longhi	D7/317
D779,260 S *	2/2017	De' Longhi	D7/317
2012/0145698 A1 *	6/2012	Von Seidel	A47J 27/21016 219/438

* cited by examiner

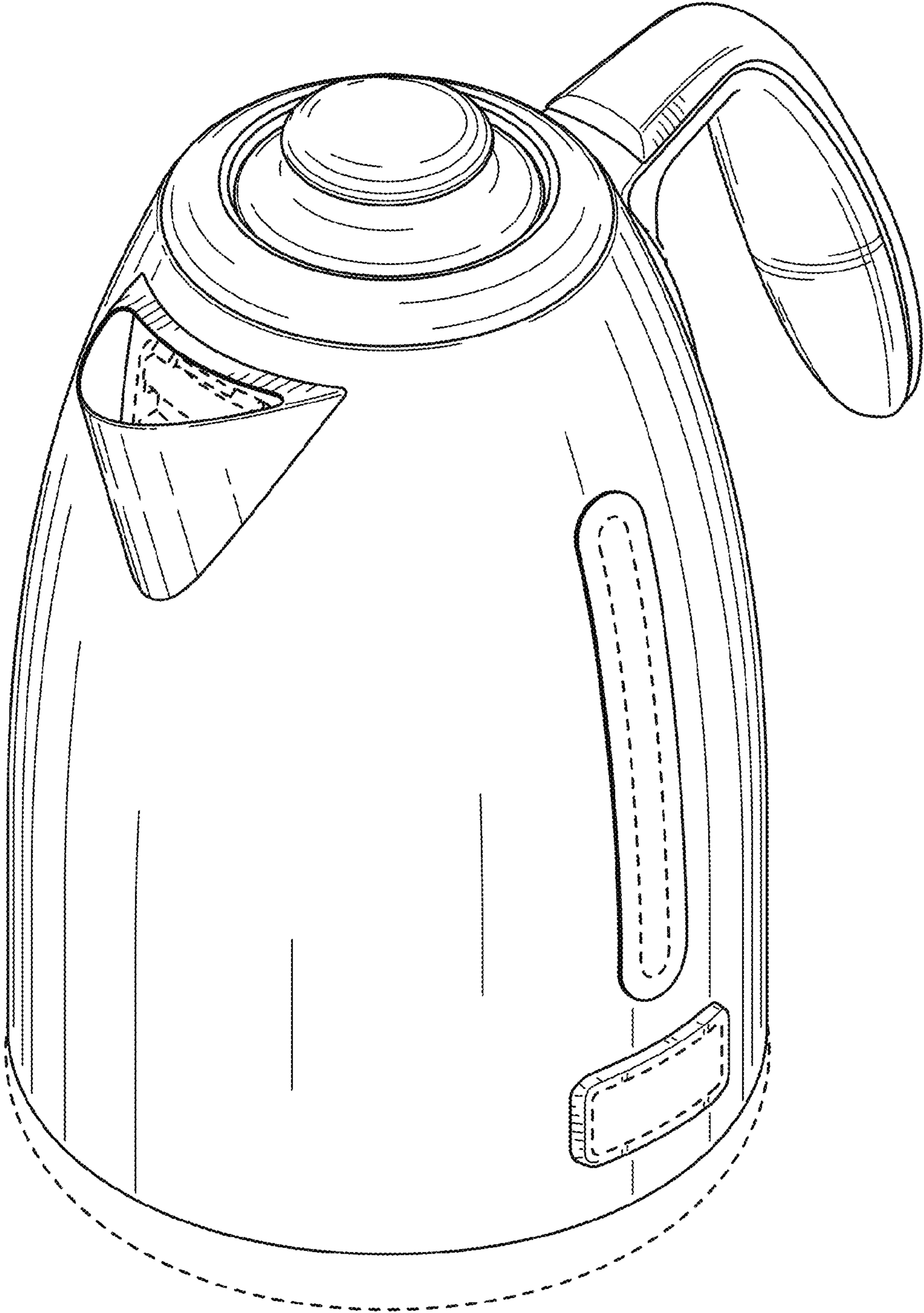


FIG. 1

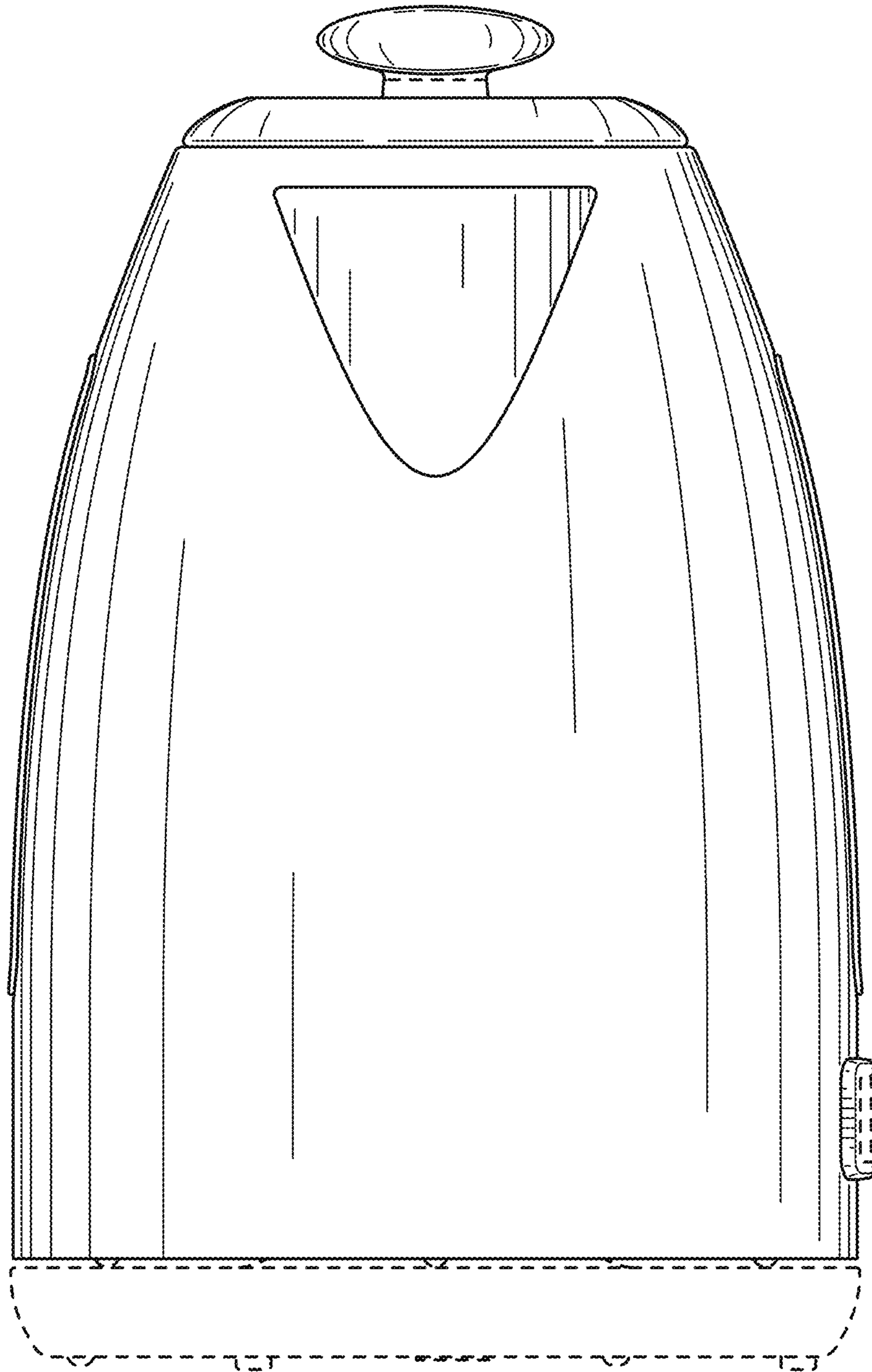


FIG. 2

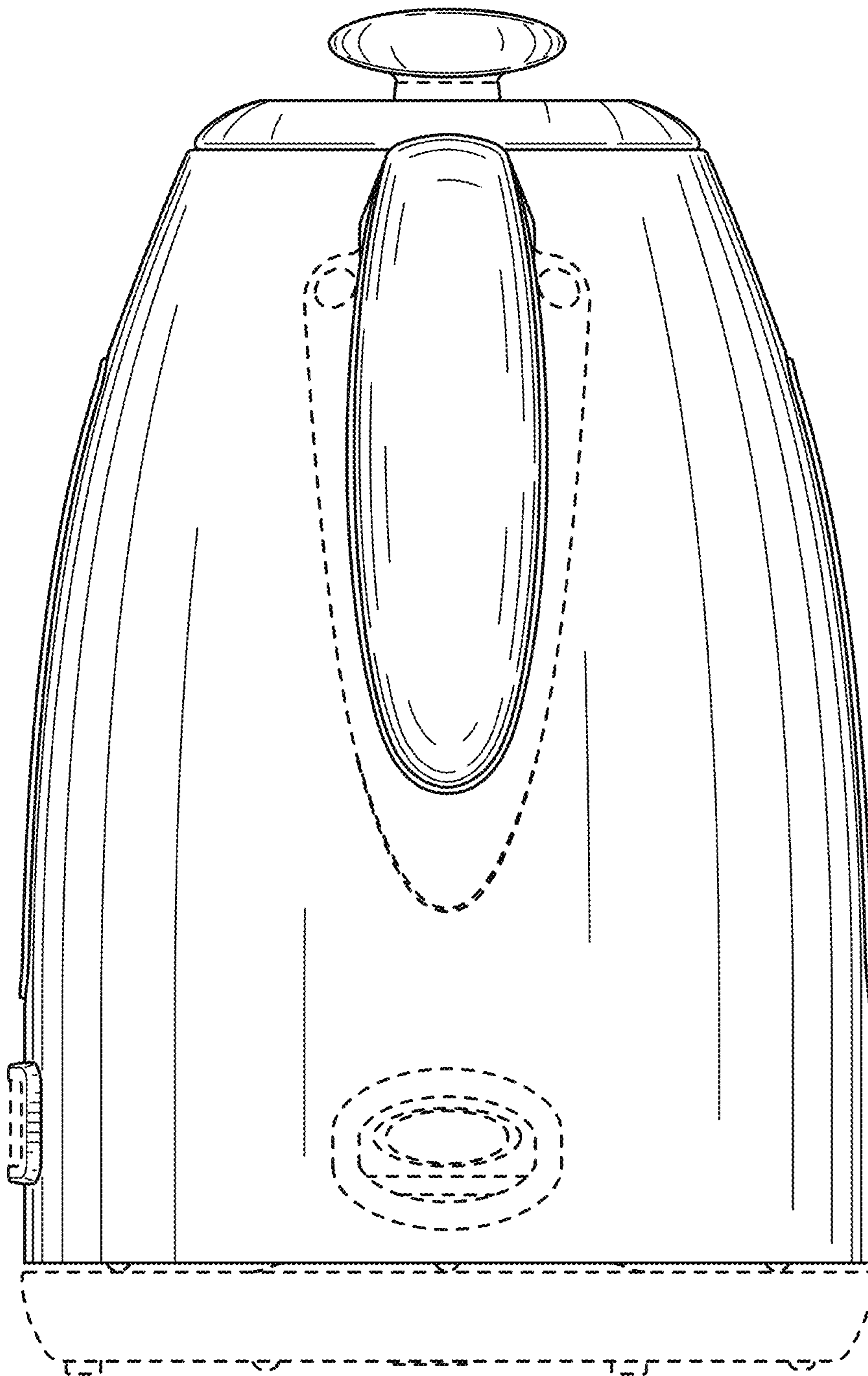


FIG. 3

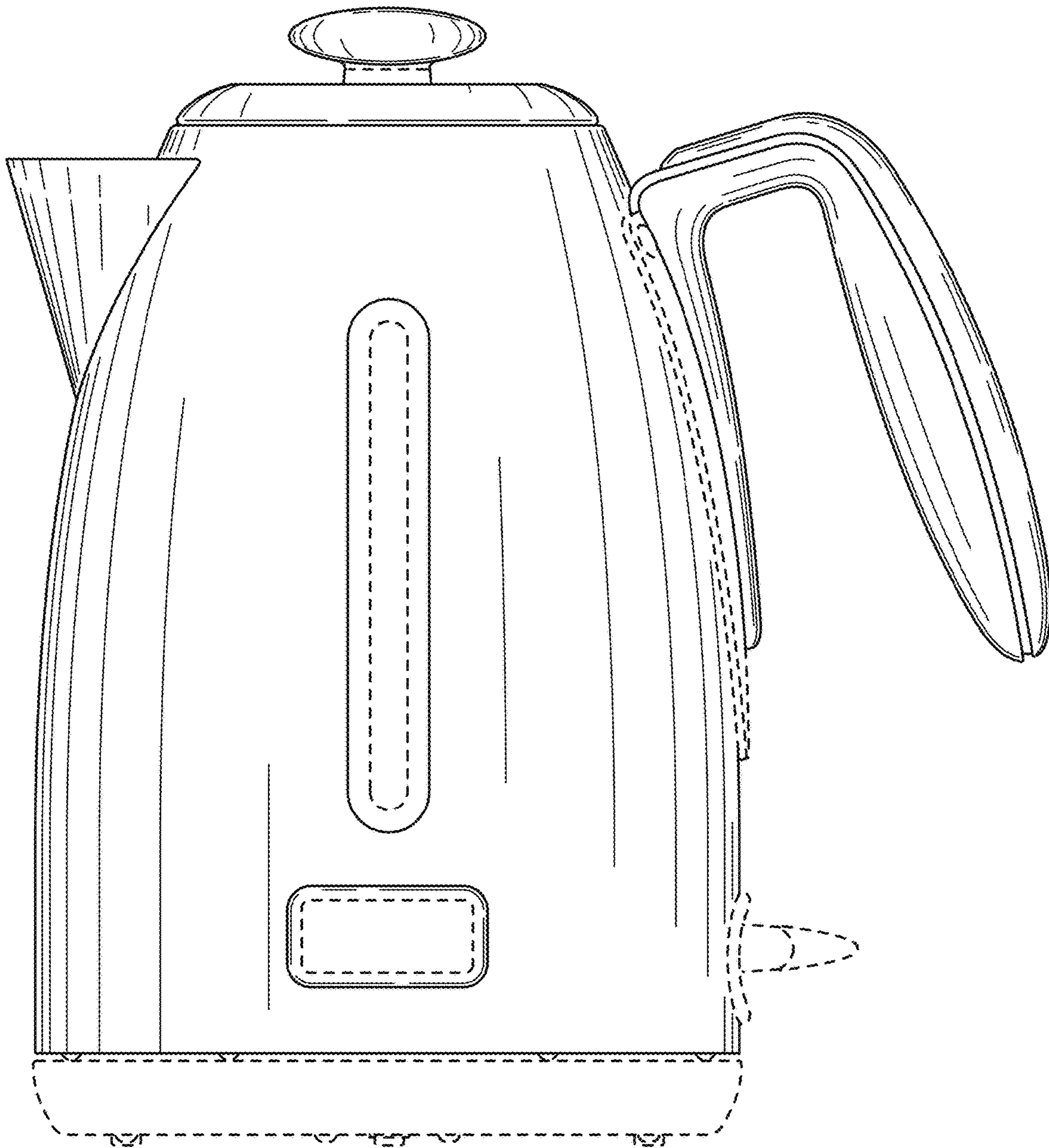


FIG. 4

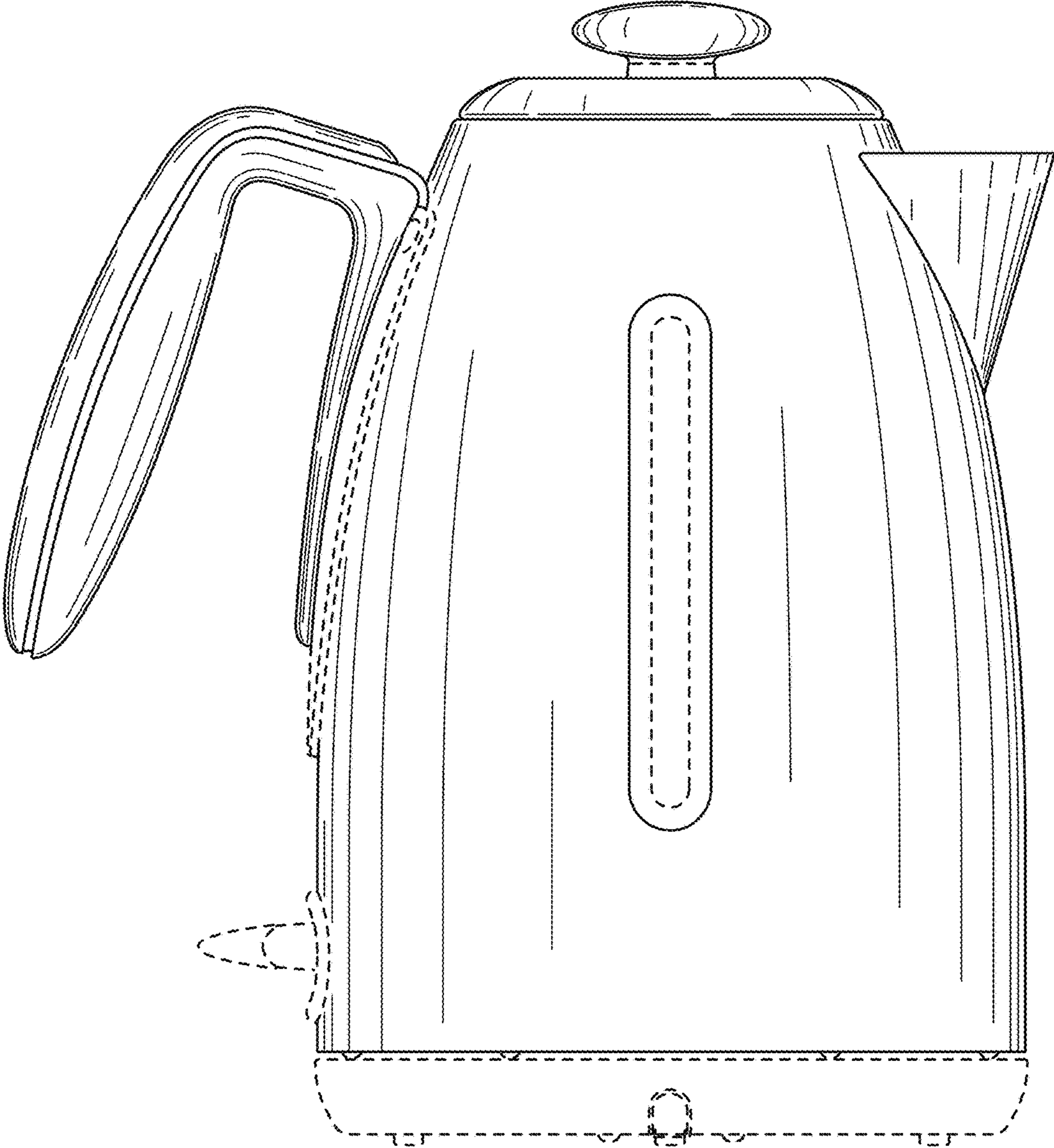


FIG. 5

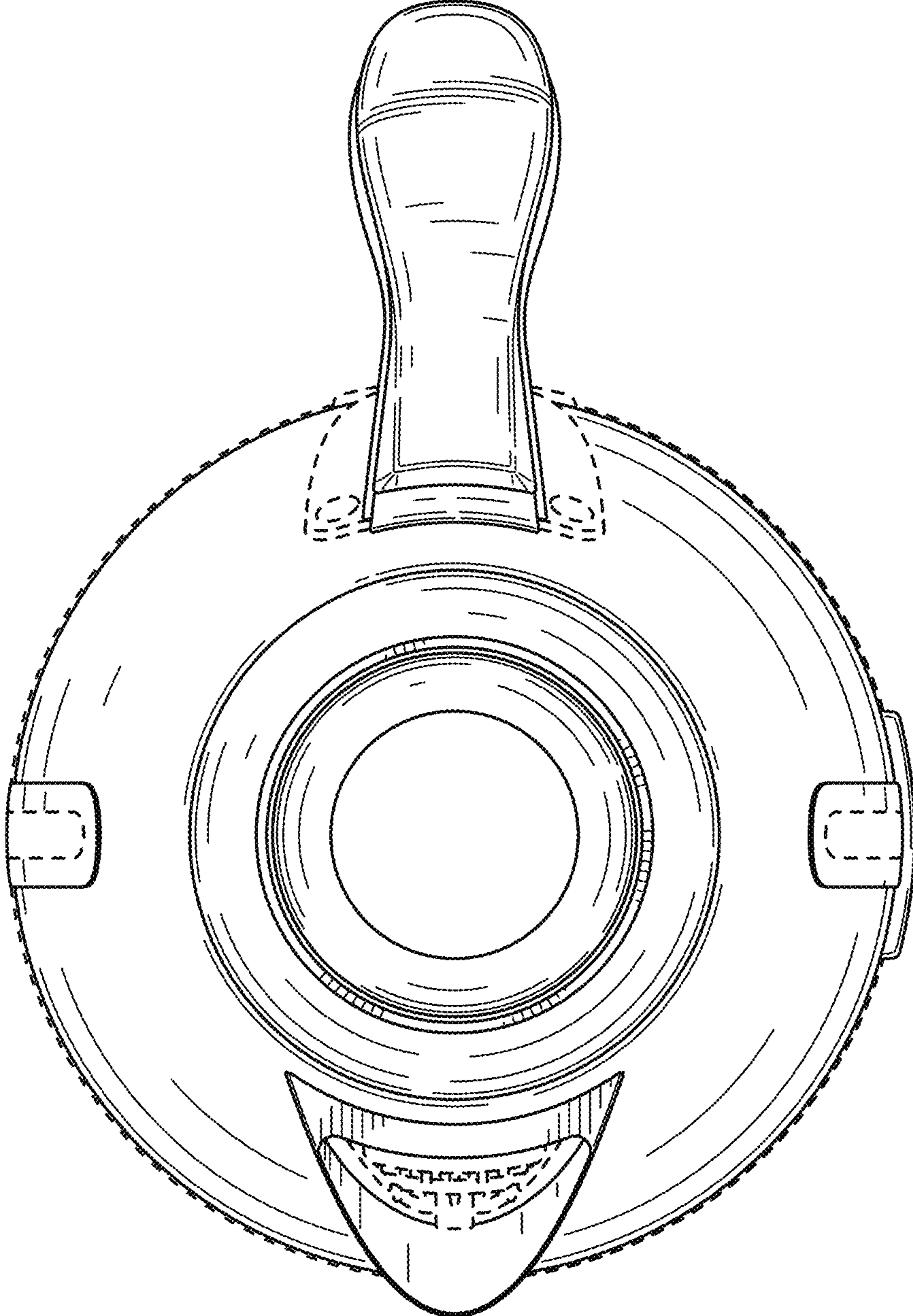


FIG. 6

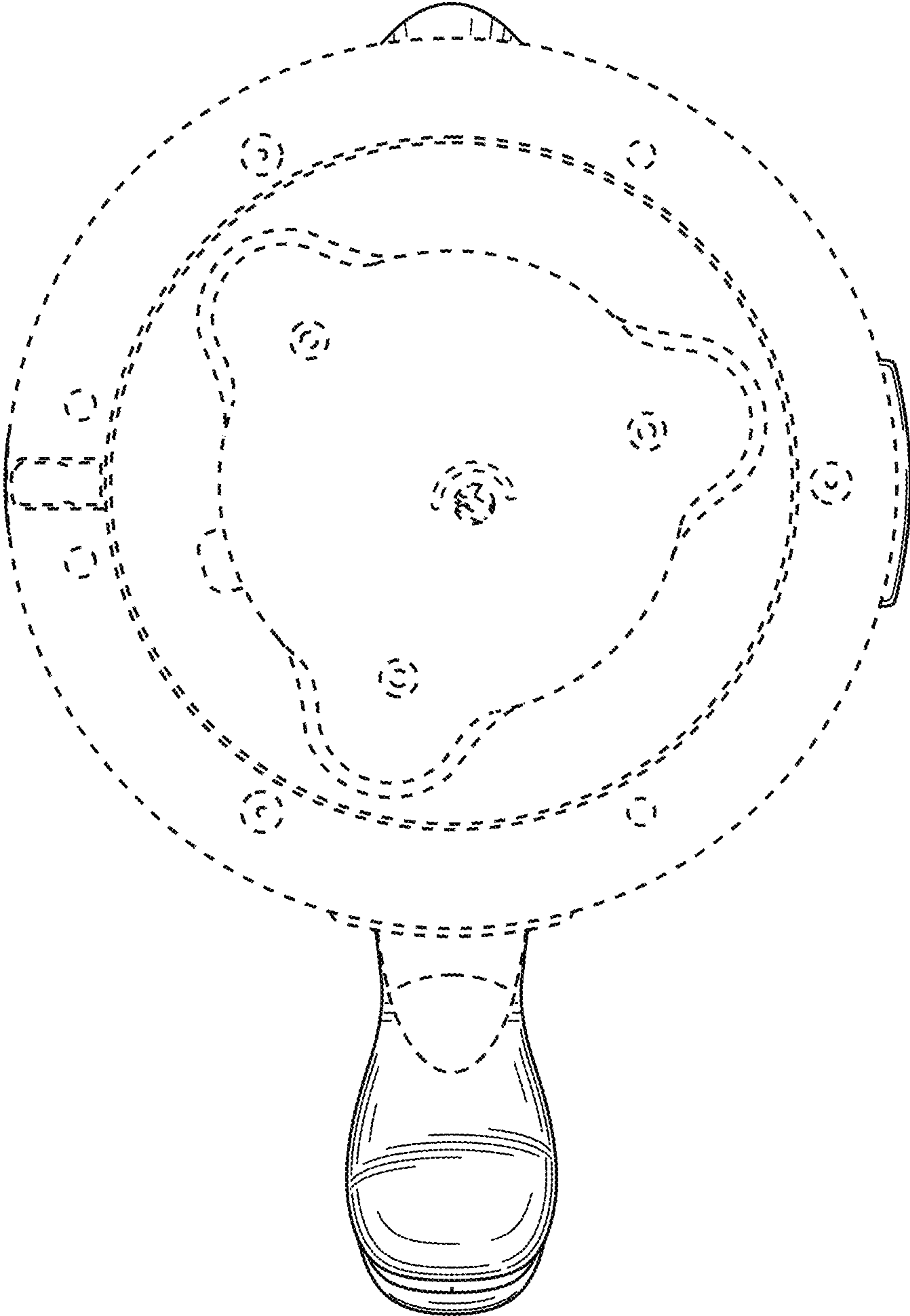


FIG. 7