



US00D788510S

(12) **United States Design Patent** (10) **Patent No.:** **US D788,510 S**  
**Steiner** (45) **Date of Patent:** **\*\* Jun. 6, 2017**

(54) **COFFEEMAKER**  
(71) Applicant: **Hamilton Beach Brands, Inc.**, Glen Allen, VA (US)  
(72) Inventor: **Mark C Steiner**, Midlothian, VA (US)  
(73) Assignee: **Hamilton Beach Brands, Inc.**, Glen Allen, VA (US)  
(\*\*) Term: **15 Years**

D590,651 S \* 4/2009 O'Loughlin ..... D7/309  
D602,729 S 10/2009 Dahlstrom  
D628,007 S \* 11/2010 Di Bitonto ..... D7/309  
D678,718 S \* 3/2013 Grassia ..... D7/309  
D686,033 S \* 7/2013 Burton ..... D7/306  
D702,237 S \* 4/2014 Oberpriller ..... D14/420  
D721,531 S \* 1/2015 Krasne ..... D7/309  
D726,483 S \* 4/2015 Lin ..... D7/309  
D732,329 S \* 6/2015 Palermo ..... D7/306  
D757,479 S \* 5/2016 Steiner ..... D7/309  
D760,529 S \* 7/2016 Hakansson ..... D7/306  
D770,215 S \* 11/2016 Vu ..... D7/309  
D775,887 S \* 1/2017 Atkin ..... D7/306

(21) Appl. No.: **29/553,917**  
(22) Filed: **Feb. 5, 2016**  
(51) **LOC (10) Cl.** ..... **07-01**  
(52) **U.S. Cl.**  
USPC ..... **D7/309; D7/311; D7/306**  
(58) **Field of Classification Search**  
USPC ..... D7/305-311, 313; D15/82; 222/129.1,  
222/146.6; 99/295  
CPC ..... A47J 31/44; A47J 31/4403; A47J 31/46;  
A47J 31/4482; A47J 31/369; A47J  
31/407; B67D 1/36; B67D 2210/0065;  
B67D 1/0864  
See application file for complete search history.

\* cited by examiner

*Primary Examiner* — Marianne Pandozzi  
(74) *Attorney, Agent, or Firm* — Alexander D. Raring

(57) **CLAIM**

The ornamental design for a coffeemaker, as shown and described.

**DESCRIPTION**

FIG. 1 is a perspective view as seen from the top, front and right side of a coffeemaker showing the new design;  
FIG. 2 is a front view thereof;  
FIG. 3 is a rear view thereof;  
FIG. 4 is a right side view thereof;  
FIG. 5 is a left side view thereof;  
FIG. 6 is a top view thereof; and,  
FIG. 7 is a bottom view thereof.

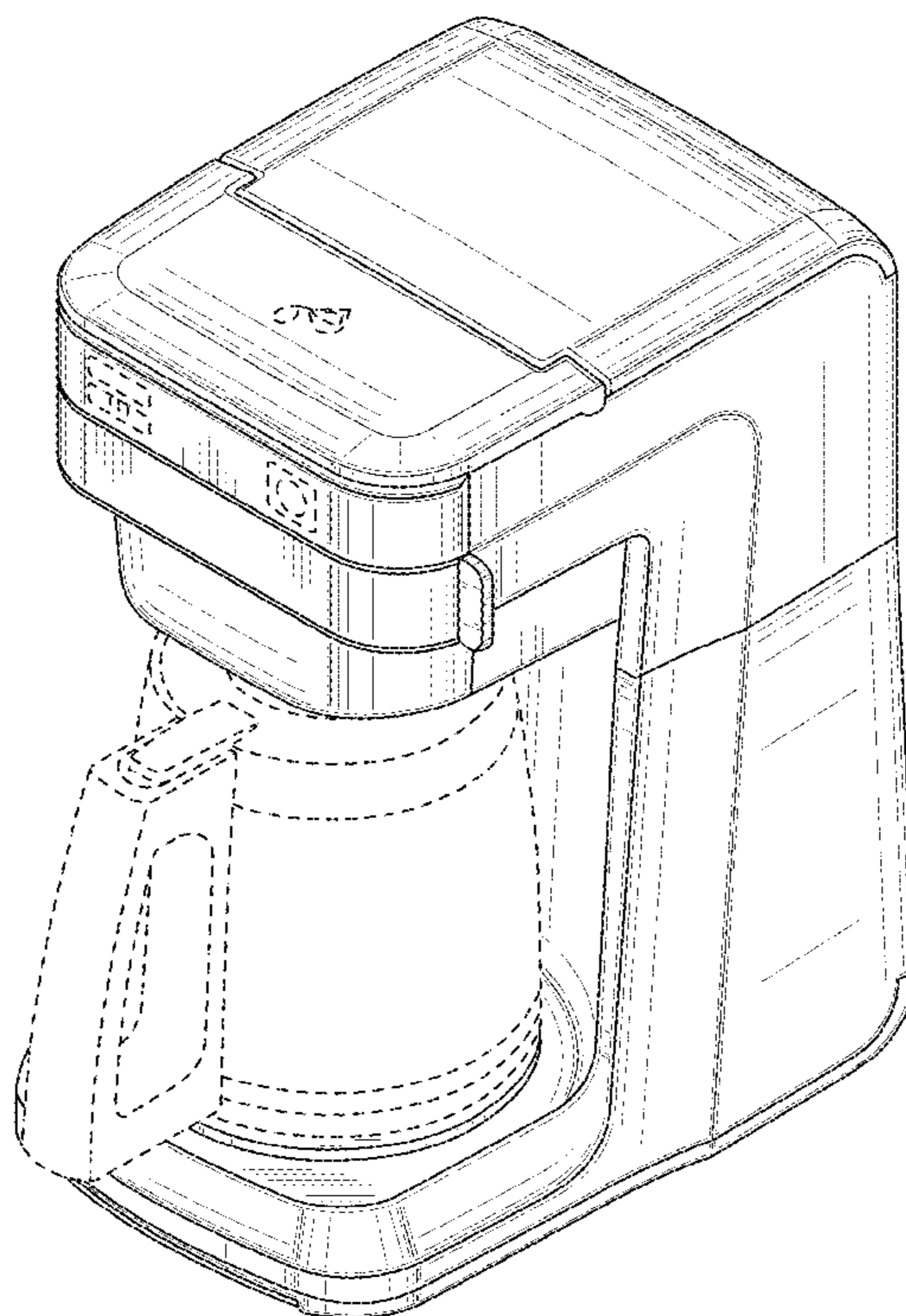
The broken lines in the drawings are included for illustrative purposes only and form no part of the claimed design.

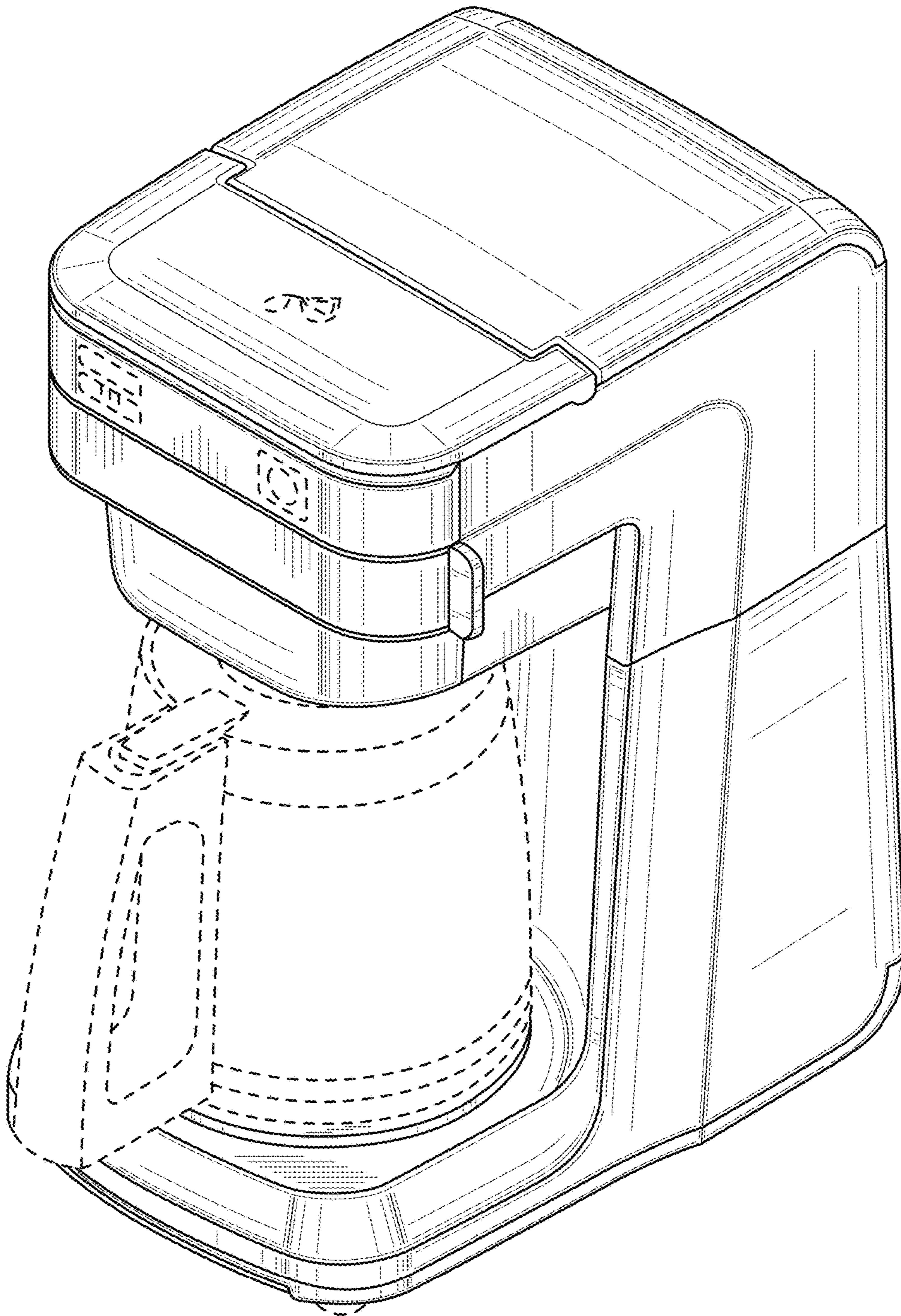
(56) **References Cited**

**U.S. PATENT DOCUMENTS**

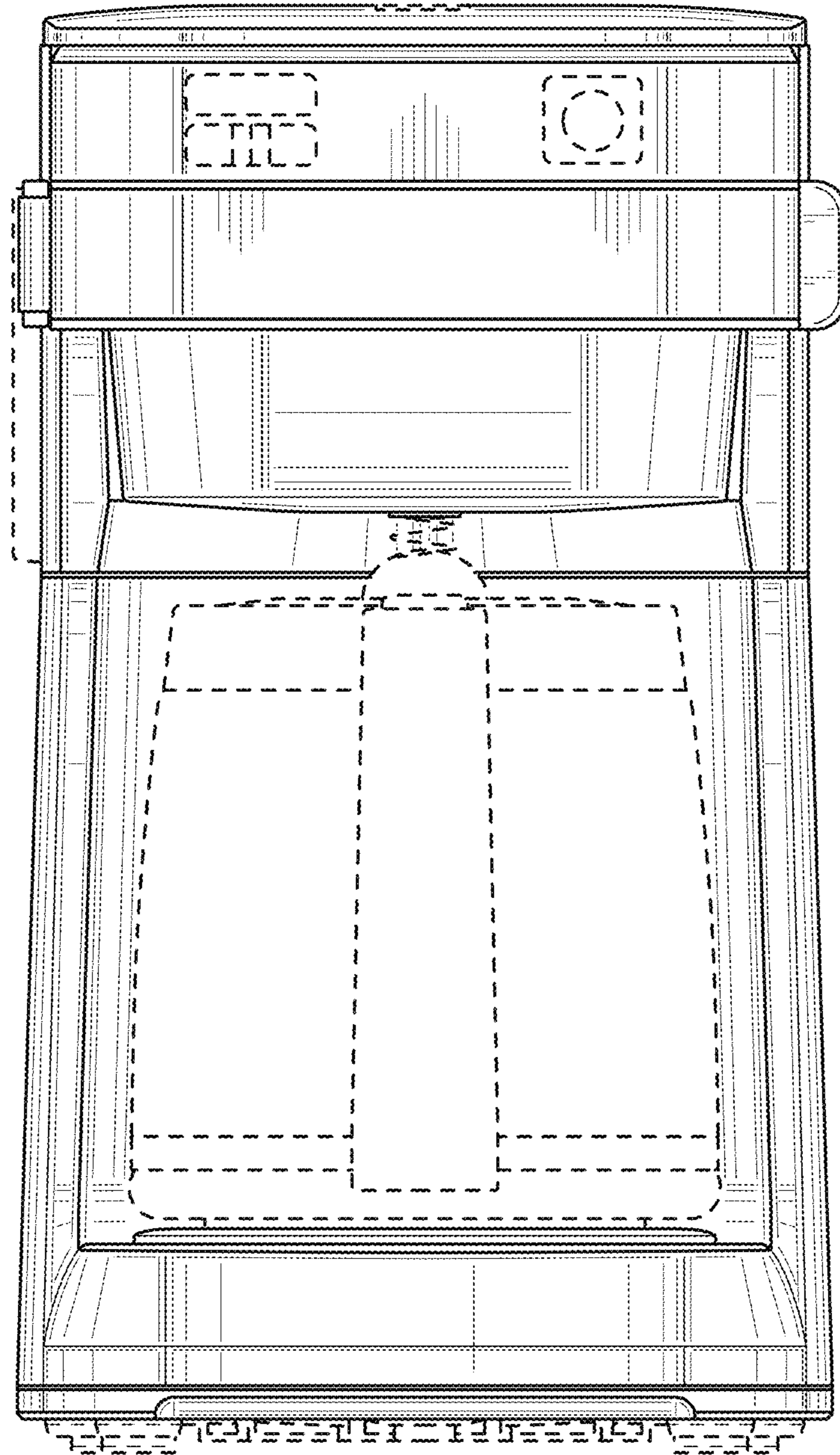
D317,546 S \* 6/1991 Rakocy ..... D7/309  
D489,217 S \* 5/2004 Seum ..... D7/309  
D541,097 S \* 4/2007 Leverrier ..... D7/300  
D545,110 S \* 6/2007 Julemont ..... D7/309  
D575,571 S \* 8/2008 Hammad ..... D7/300

**1 Claim, 7 Drawing Sheets**

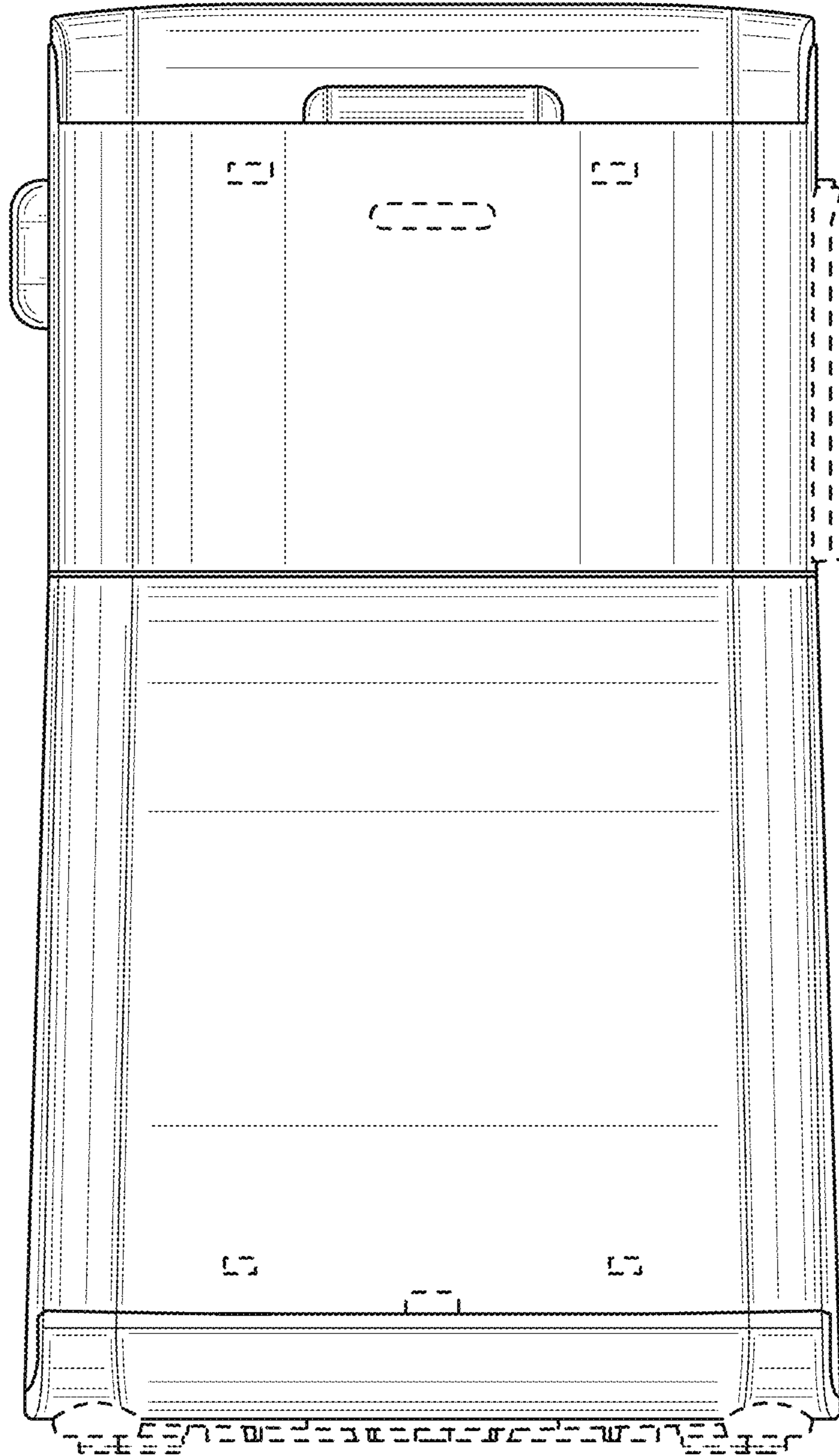




**FIG. 1**



**FIG. 2**



**FIG. 3**

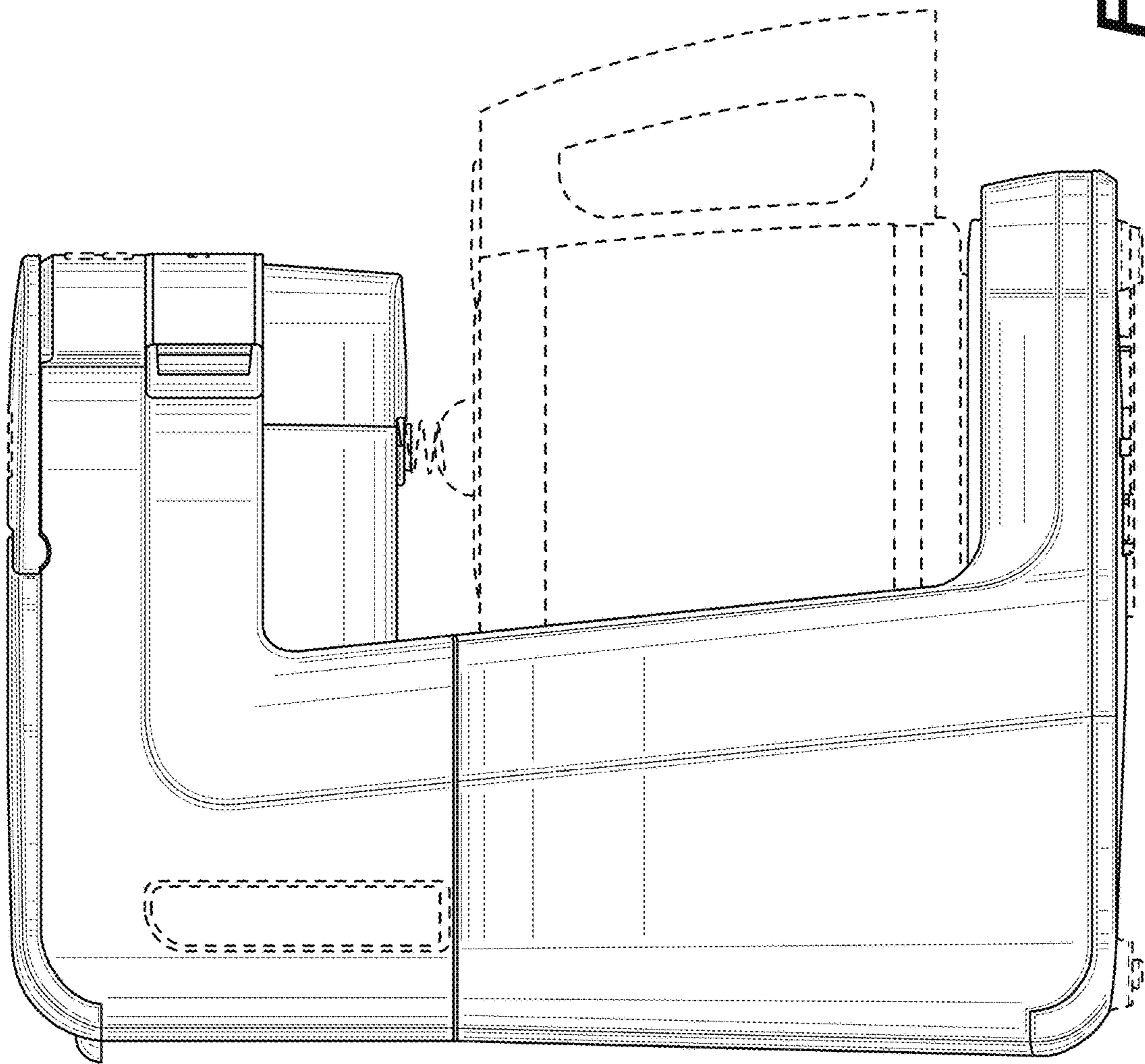


FIG. 4

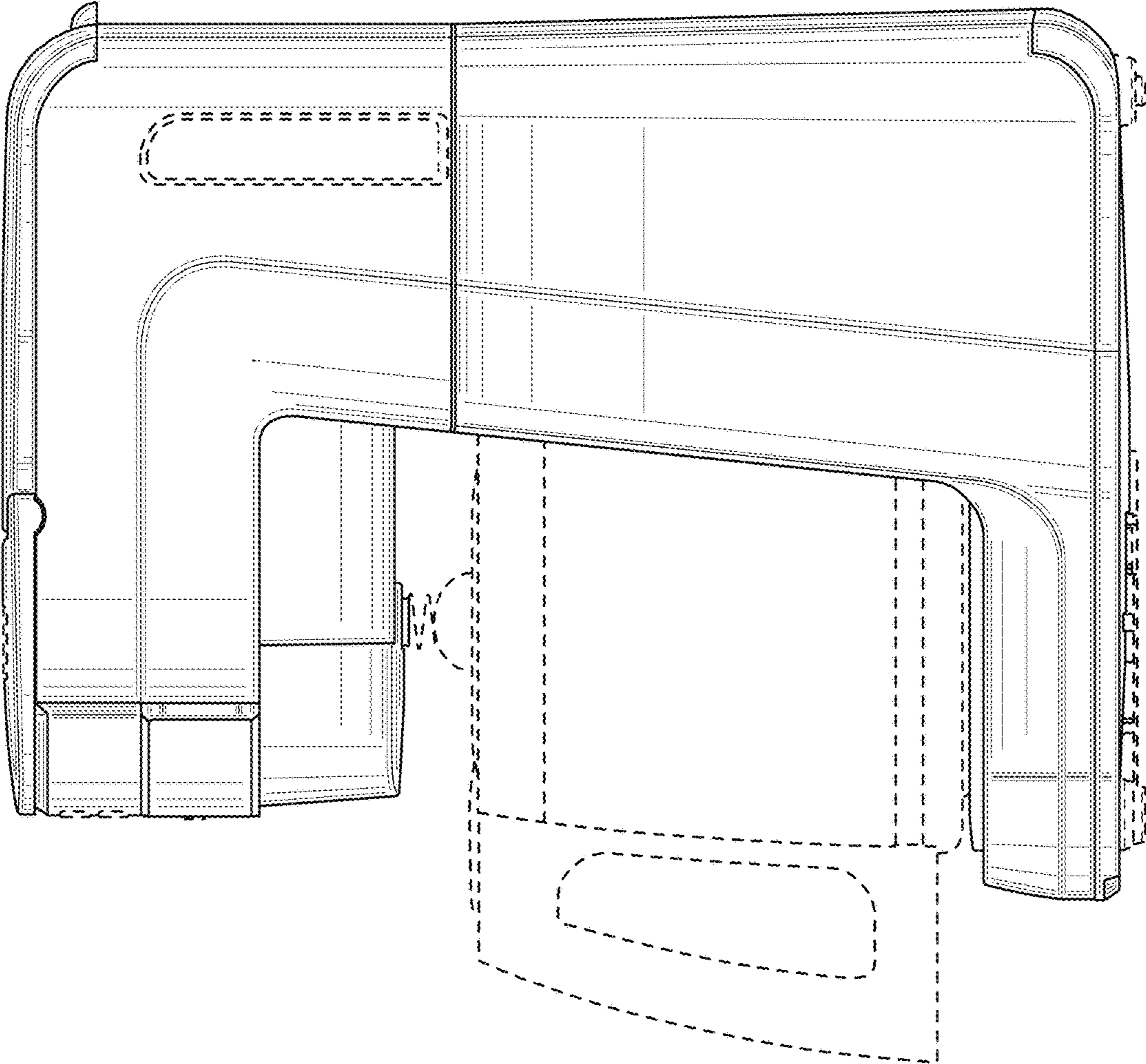
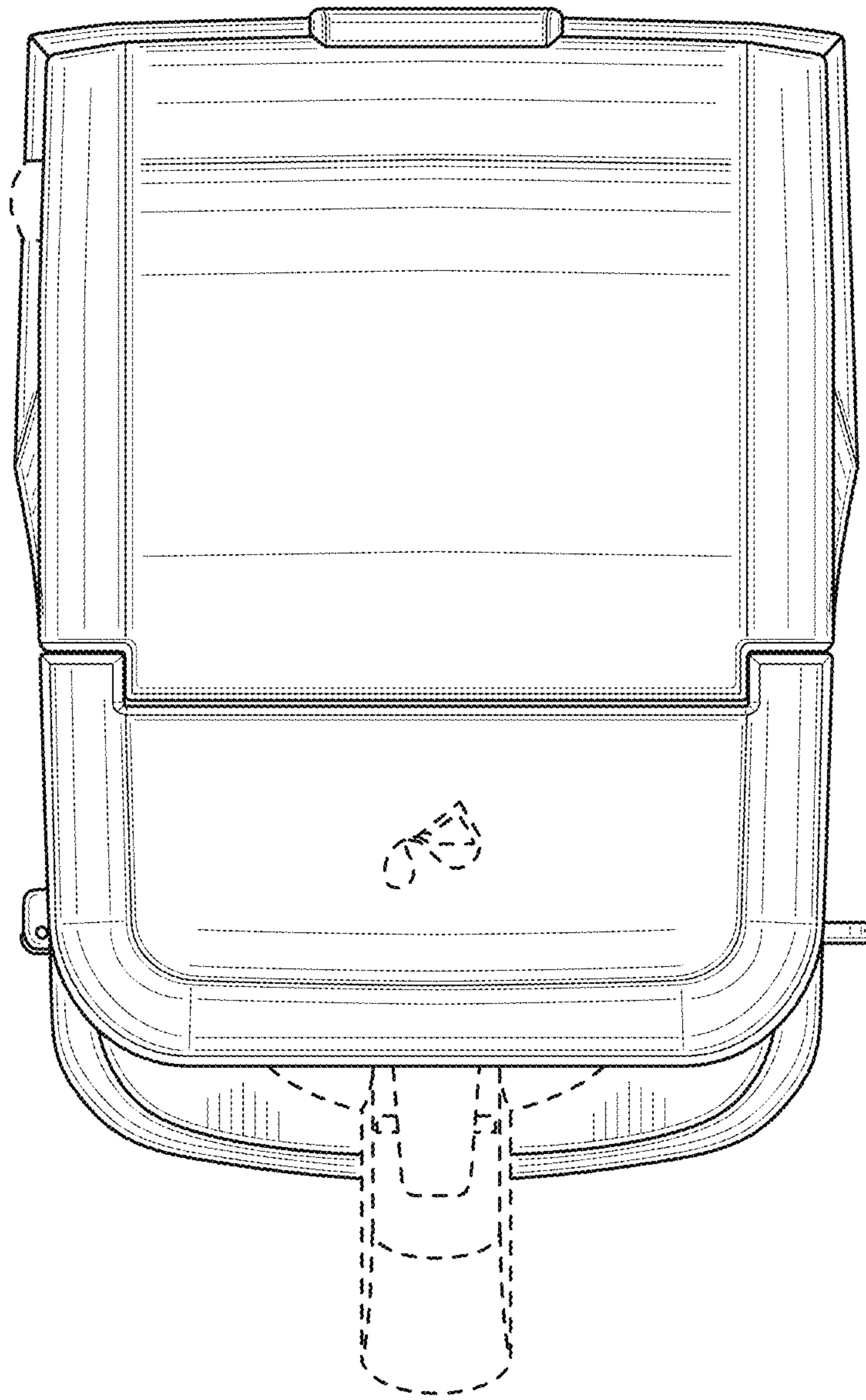
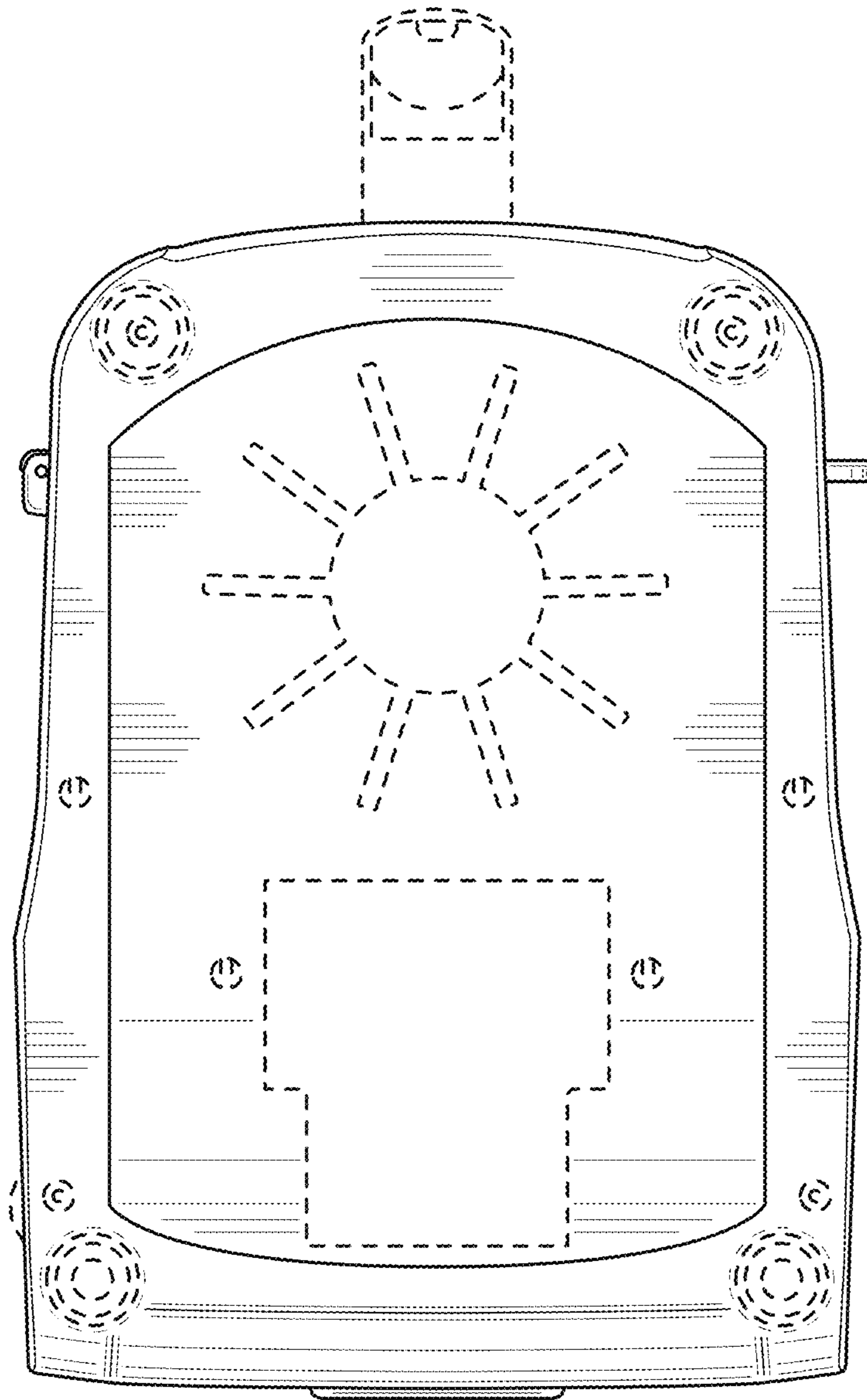


FIG. 5



**FIG. 6**



**FIG. 7**