



US00D788509S

(12) **United States Design Patent**
Wei et al.

(10) **Patent No.:** **US D788,509 S**
(45) **Date of Patent:** **** Jun. 6, 2017**

(54) **WATER AND HEATING DISPENSING DEVICE**

(71) Applicant: **Conopco, Inc.**, Englewood Cliffs, NJ (US)

(72) Inventors: **Zhang Wei**, Hangzhou (CN); **Chai Wei Hua**, Hangzhou (CN)

(73) Assignee: **Conopco, Inc.**, Englewood Cliffs, NJ (US)

(**) Term: **14 Years**

(21) Appl. No.: **29/518,487**

(22) Filed: **Feb. 24, 2015**

(30) **Foreign Application Priority Data**

Sep. 1, 2014 (EM) 002528836-0001

(51) **LOC (10) Cl.** **07-01**

(52) **U.S. Cl.**
USPC **D7/305; D7/306; D7/311**

(58) **Field of Classification Search**
USPC D7/306-311, 305, 300, 313, 399, 398, D7/397; 99/279, 284, 290, 280, 299, 99/307, 305, 295, 308, 309, 383, 304, 99/323.1, 395, 300; 222/23, 129.1; 62/395; D20/1; D23/207, 209; D15/89; D13/162, 164
CPC A47J 31/44; A47J 31/00; A47J 31/407; B67D 1/0041; B67D 3/00
See application file for complete search history.

(56) **References Cited**

U.S. PATENT DOCUMENTS

D356,925 S * 4/1995 Wonder D7/532
D382,762 S * 8/1997 Felip D7/309

D409,875 S * 5/1999 Alonge D7/309
D499,926 S * 12/2004 Cahen D7/300
D703,989 S * 5/2014 Garman D7/305
D714,088 S * 9/2014 Cahen D7/309
D718,563 S * 12/2014 Deman D7/305
D728,988 S * 5/2015 Warburton D7/306
D738,152 S * 9/2015 Grasselli D7/309
D745,307 S * 12/2015 Kestenbaum D7/309
2013/0004629 A1 * 1/2013 Clark A47J 31/4467
426/231

OTHER PUBLICATIONS

Co-pending Application: Applicant: Wei et al., Filed: Feb. 24, 2015.

* cited by examiner

Primary Examiner — Marianne Pandozzi

(74) *Attorney, Agent, or Firm* — Greenberg Traurig, LLP

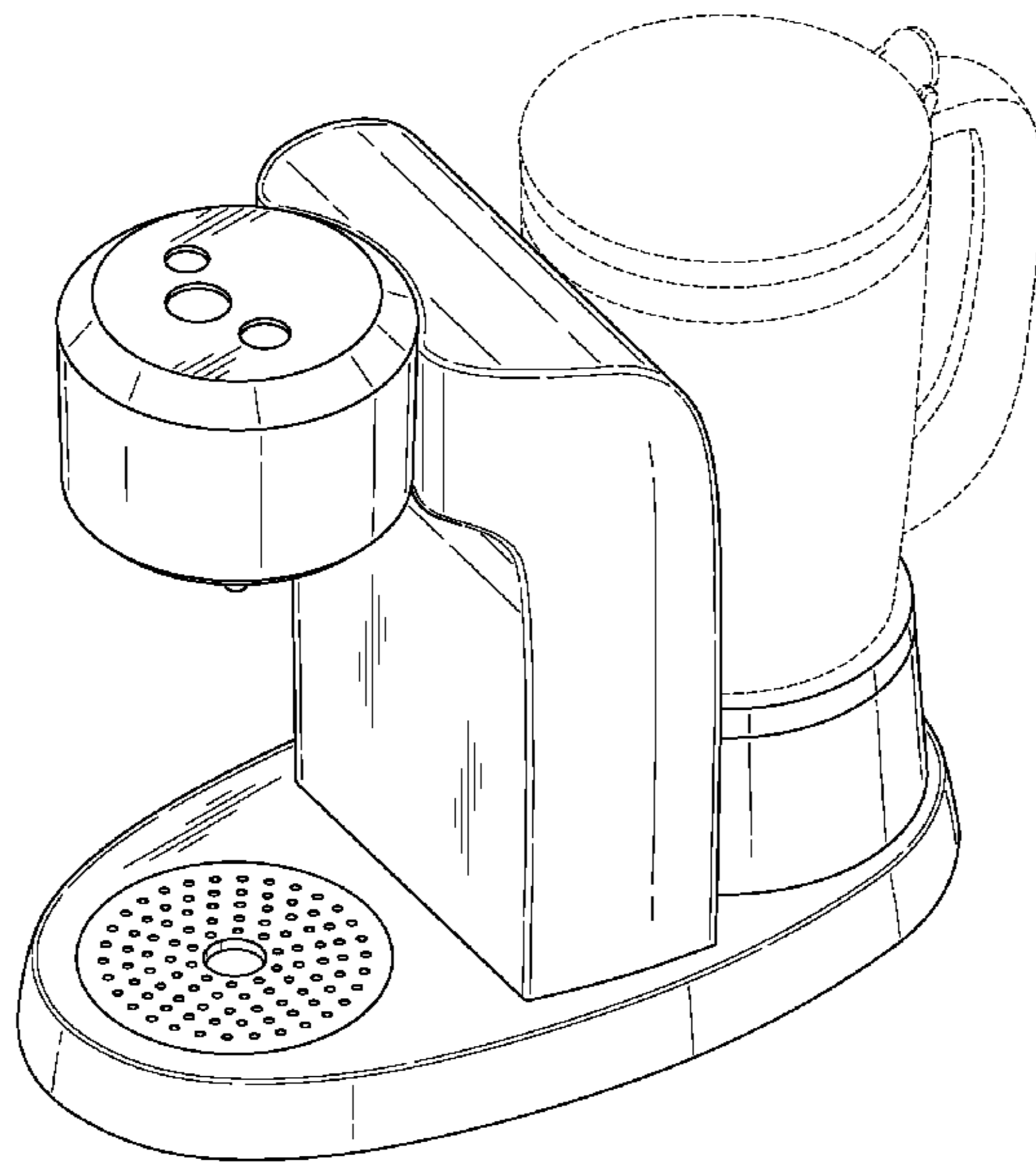
(57) **CLAIM**

The ornamental design for a water heating and dispensing device, as shown and described.

DESCRIPTION

FIG. 1 is a front top, left perspective view of a water heating and dispensing device showing our new design; FIG. 2 is a front elevational view thereof; FIG. 3 is a back elevational view thereof; FIG. 4 is a right side elevational view thereof; FIG. 5 is a left side elevational view thereof; FIG. 6 is a top plan view thereof; and, FIG. 7 is a bottom plan view thereof. The broken lines depict portions of the water heating and dispensing device that form no part of the claimed design.

1 Claim, 5 Drawing Sheets



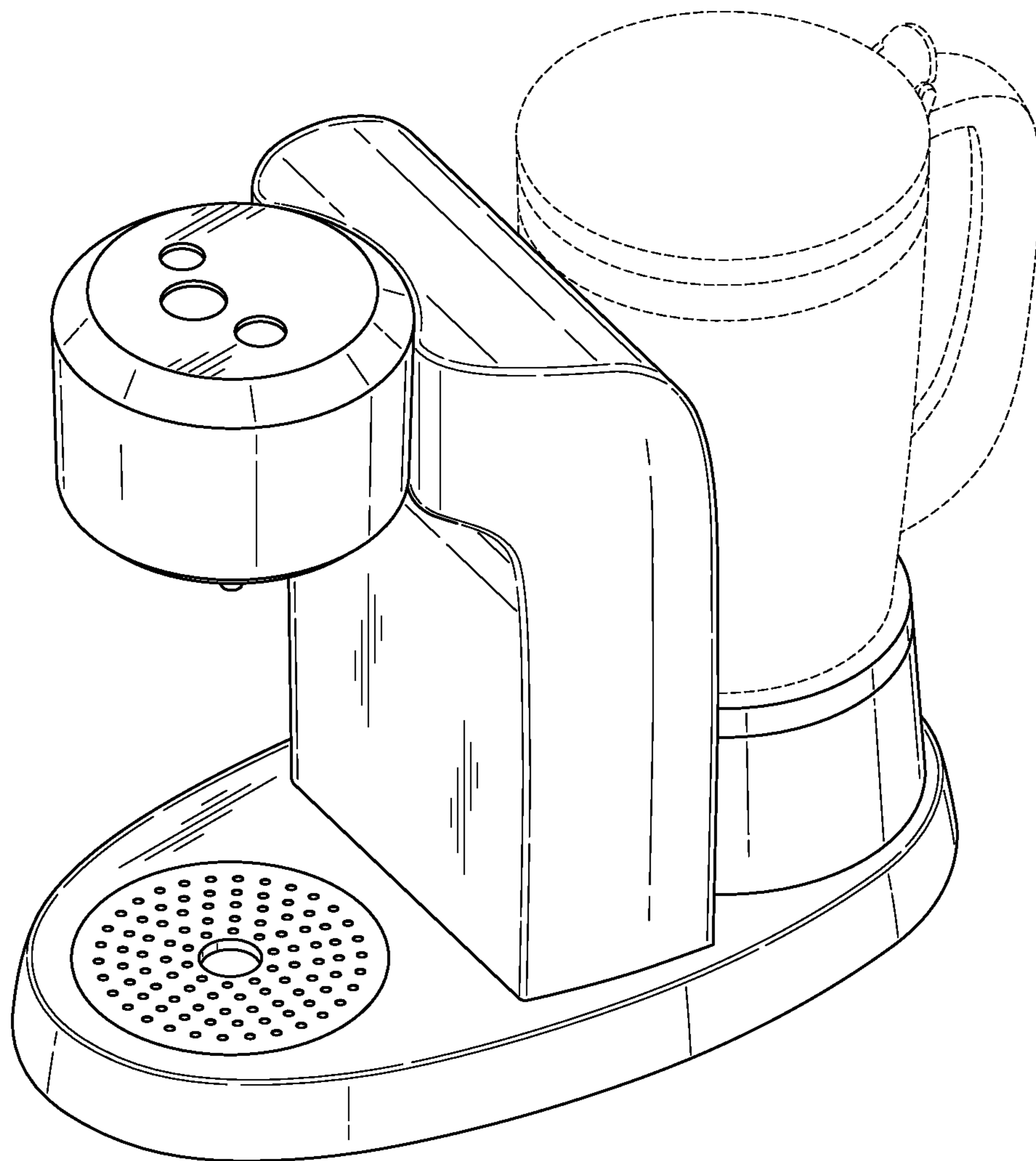


Fig. 1

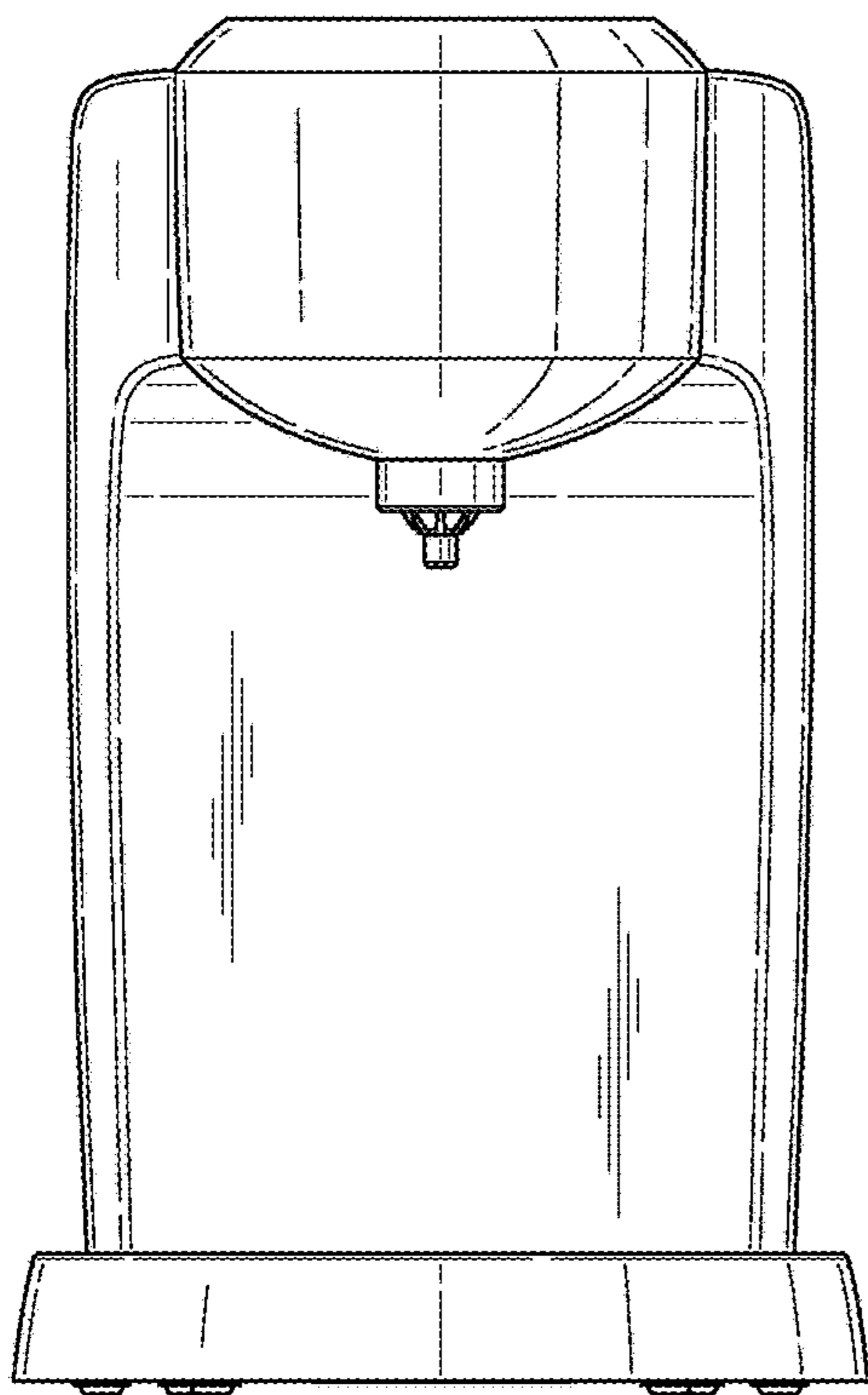


Fig. 2

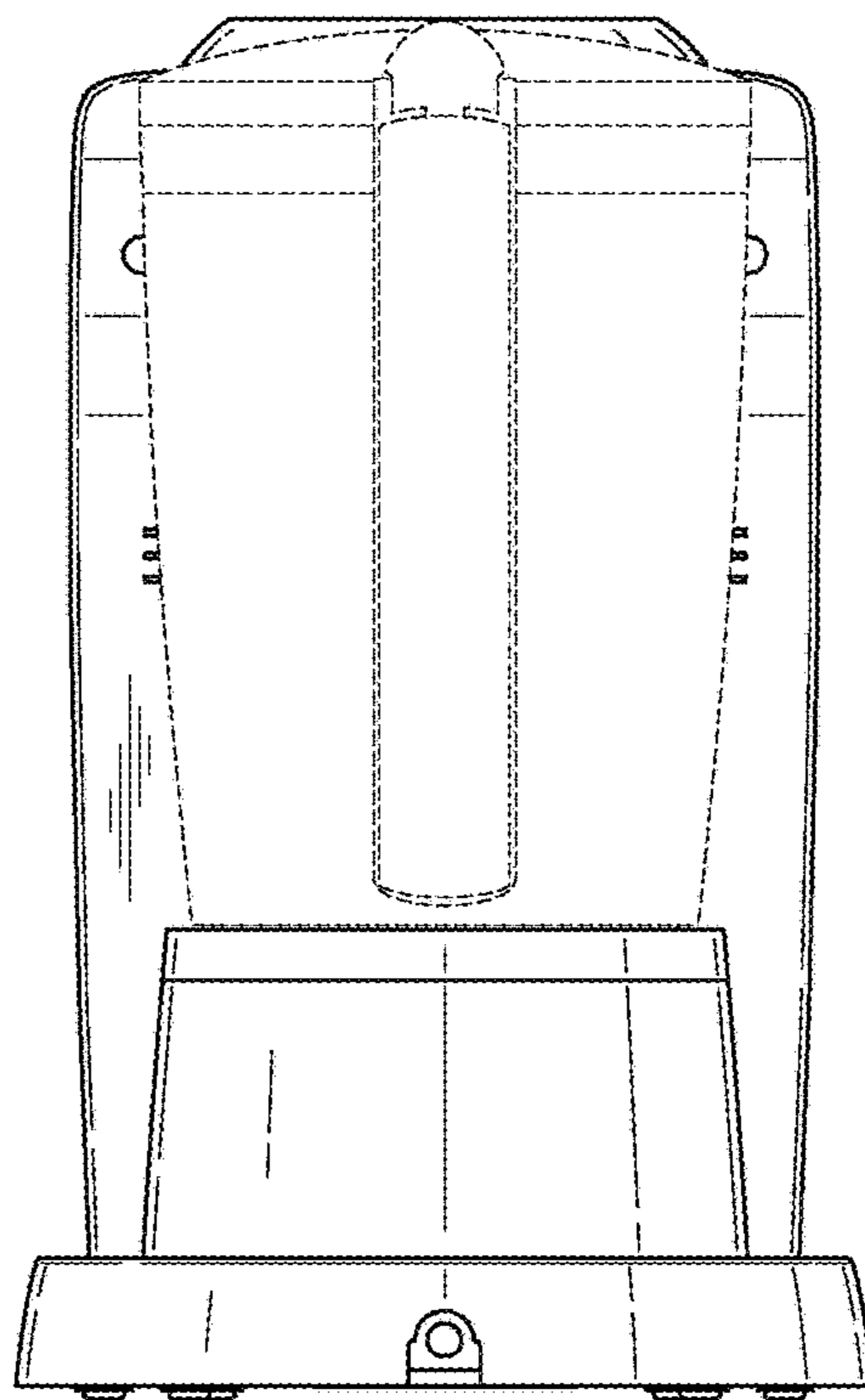


Fig. 3

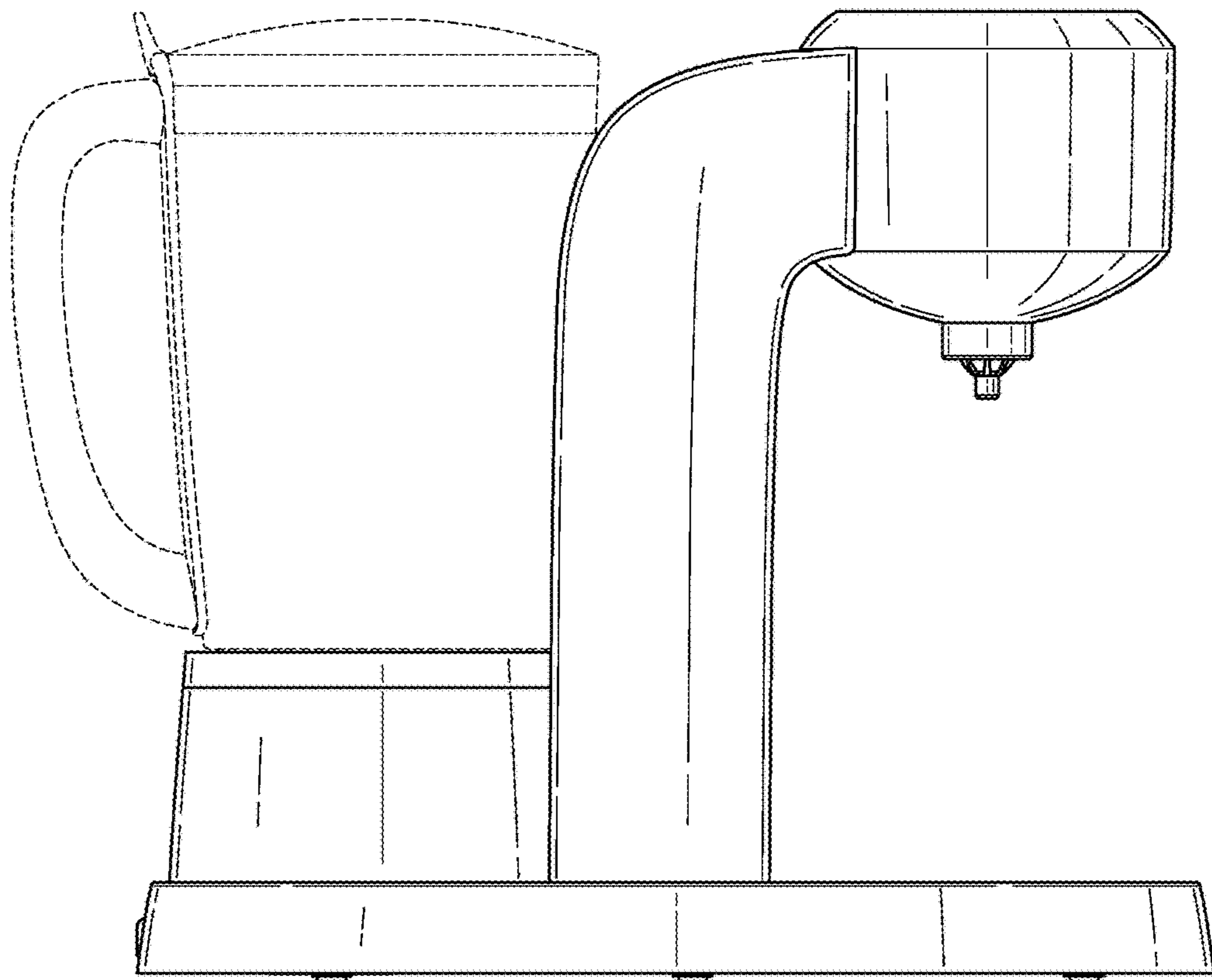


Fig. 4

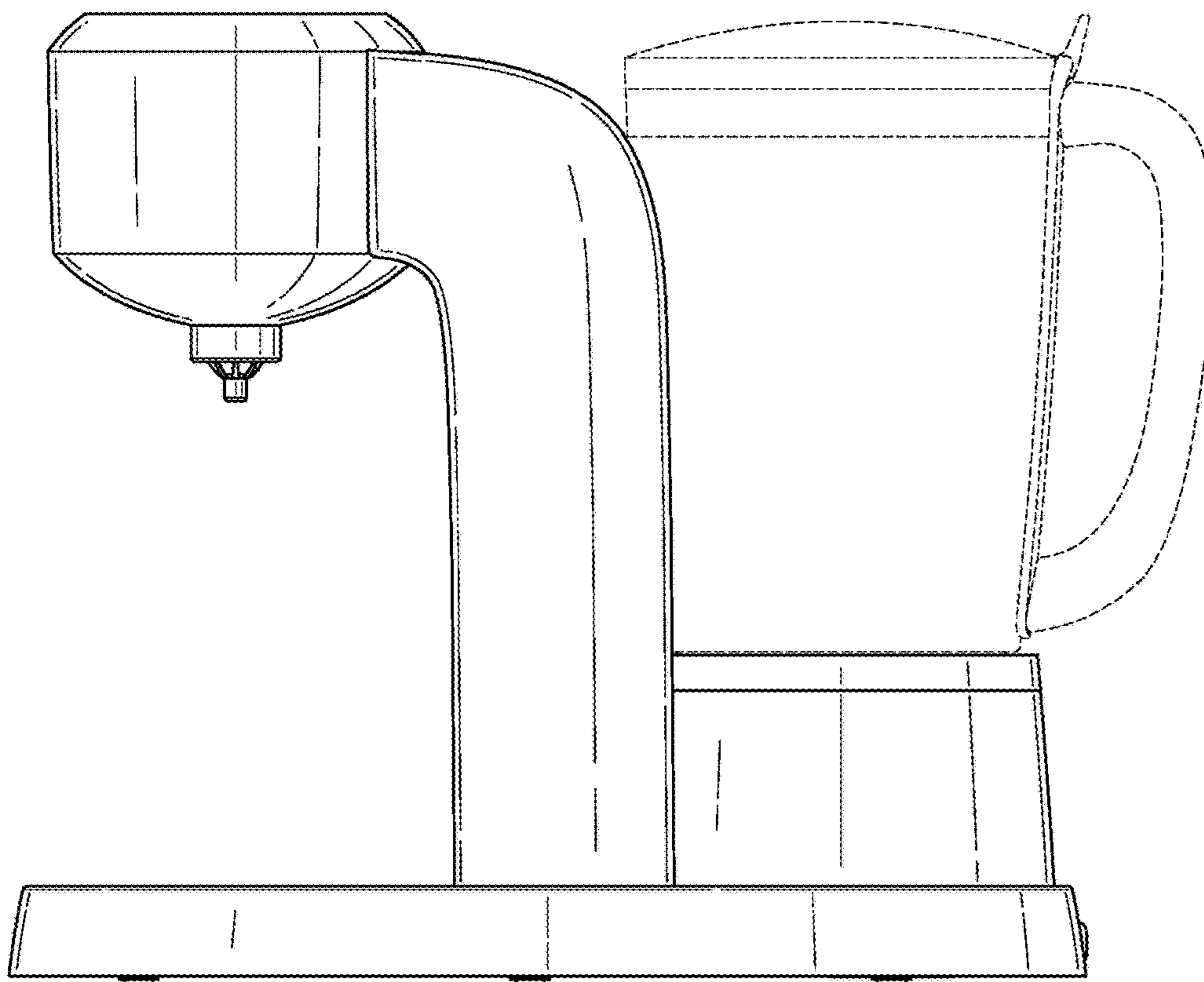


Fig. 5

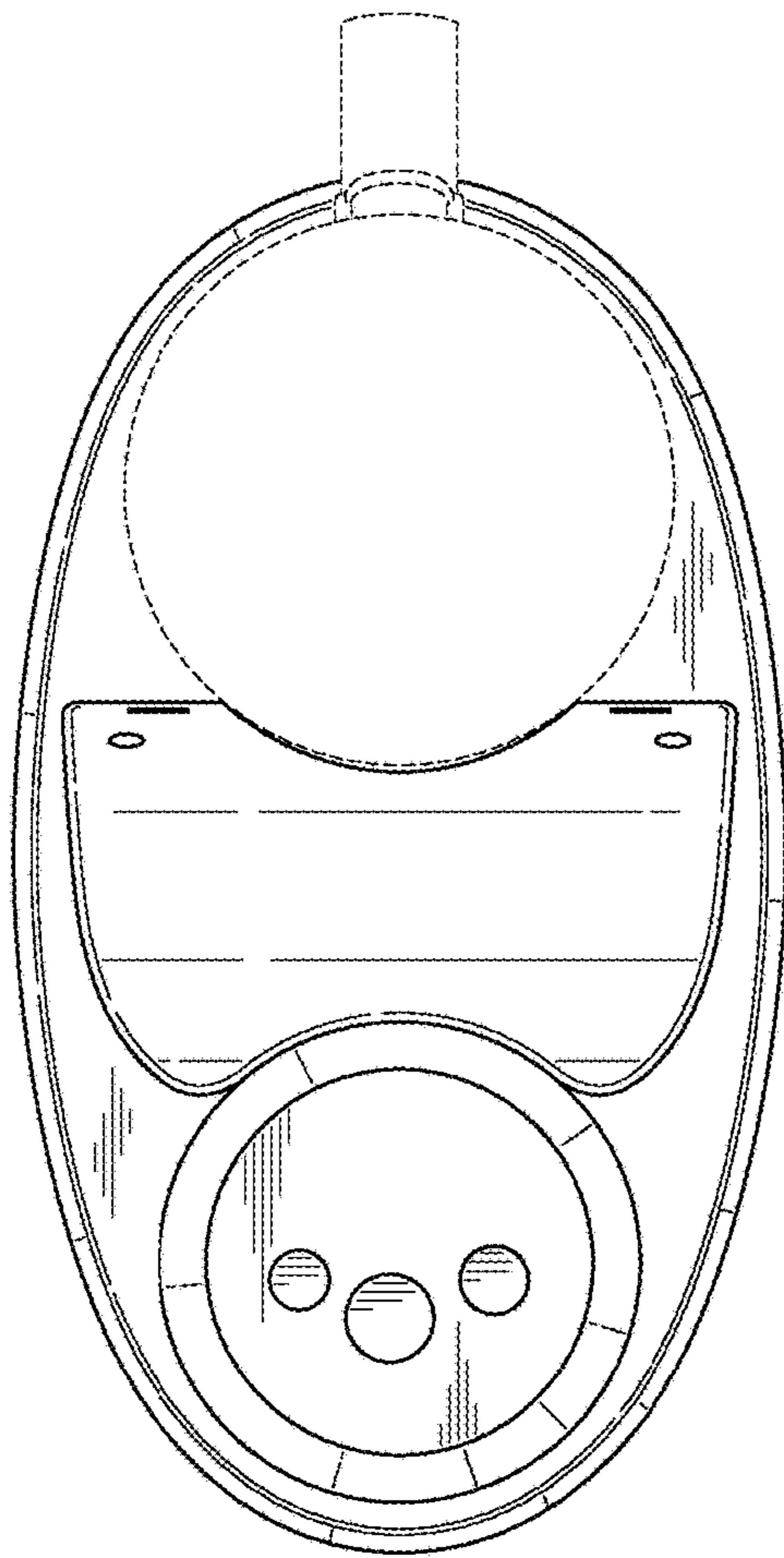


Fig. 6

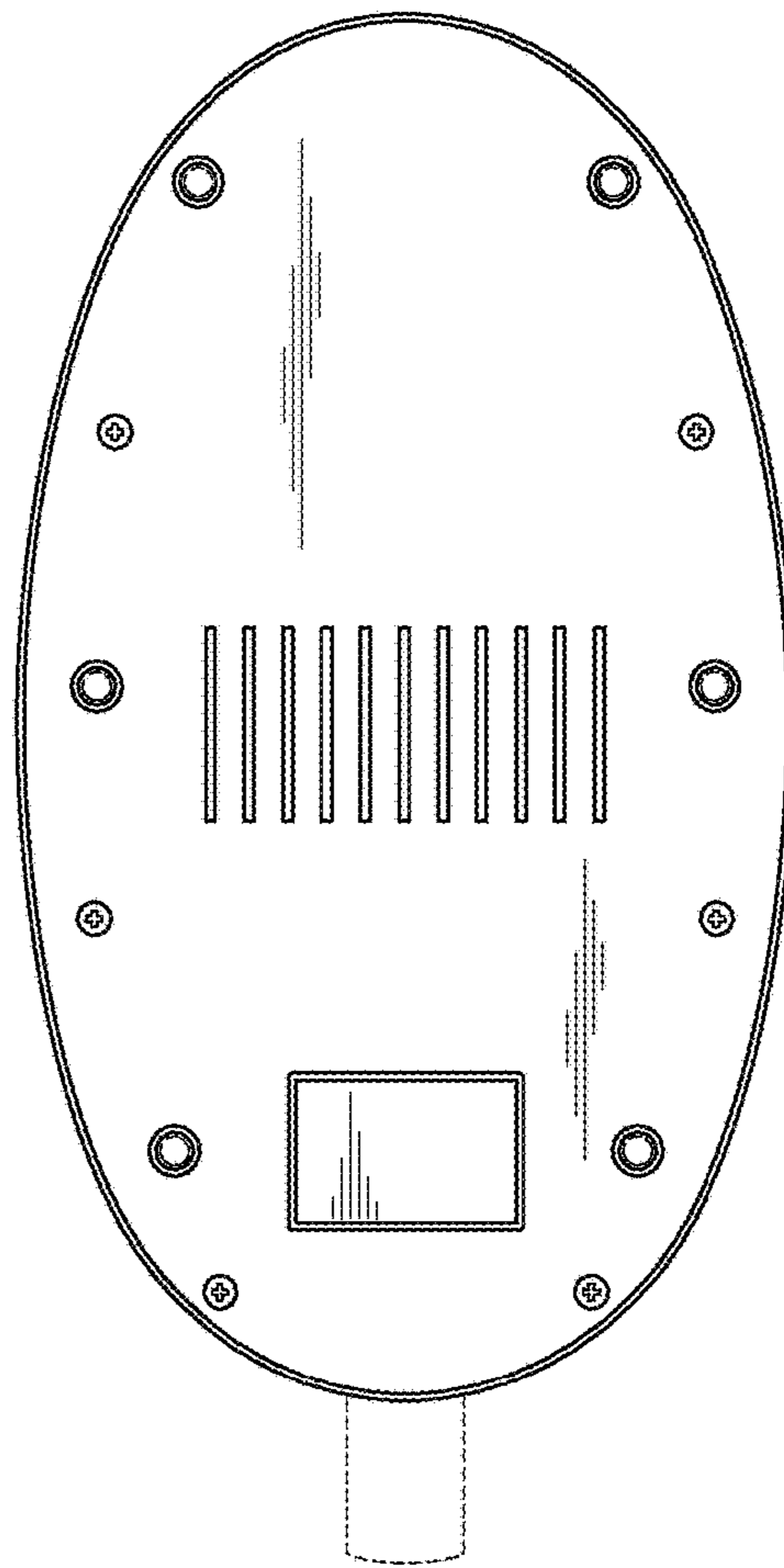


Fig. 7