



US00D788508S

(12) **United States Design Patent**
Li

(10) **Patent No.:** **US D788,508 S**

(45) **Date of Patent:** **** Jun. 6, 2017**

- (54) **CHAIR**
- (71) Applicant: **SSOHHO INC CHANGZHOU CO., LTD.**, Changzhou (CN)
- (72) Inventor: **Zhiwei Li**, Eastvale, CA (US)
- (73) Assignee: **SSOHHO INC CHANGZHOU CO., LTD.**, Changzhou (CN)
- (**) Term: **15 Years**
- (21) Appl. No.: **29/552,964**
- (22) Filed: **Jan. 27, 2016**
- (51) **LOC (10) Cl.** **06-01**
- (52) **U.S. Cl.**
USPC **D6/716; D6/366**
- (58) **Field of Classification Search**
USPC D6/334-336, 364, 365, 366, 367, 374,
D6/716, 716.1, 716.2, 716.4
CPC A47C 3/00; A47C 7/002; A47C 7/004;
A47C 7/022; A47C 7/18; A47C 7/24;
A47C 7/282; A47C 7/40; A47C 9/02
See application file for complete search history.

- 7,152,929 B2 * 12/2006 Wu A47C 7/282
297/452.22
- D610,379 S * 2/2010 Muller D6/716.4
- D672,584 S * 12/2012 Carmichael, IV D6/716.1
- D677,952 S * 3/2013 Voyce, IV D6/716
- 8,616,641 B2 * 12/2013 Powicki A47C 7/40
297/301.1
- D710,641 S * 8/2014 Petrucci D6/716

* cited by examiner

Primary Examiner — Mimoso De

(74) *Attorney, Agent, or Firm* — WPAT, P.C., Intellectual Property Attorneys; Anthony King

(57) **CLAIM**

The ornamental design for a chair, as shown and described.

DESCRIPTION

FIG. 1 is a front view thereof;
FIG. 2 is a back view thereof;
FIG. 3 is a left side view thereof,
FIG. 4 is a right view thereof;
FIG. 5 is top view thereof;
FIG. 6 is a bottom view thereof; and,
FIG. 7 is the perspective view of the chair showing my new design.

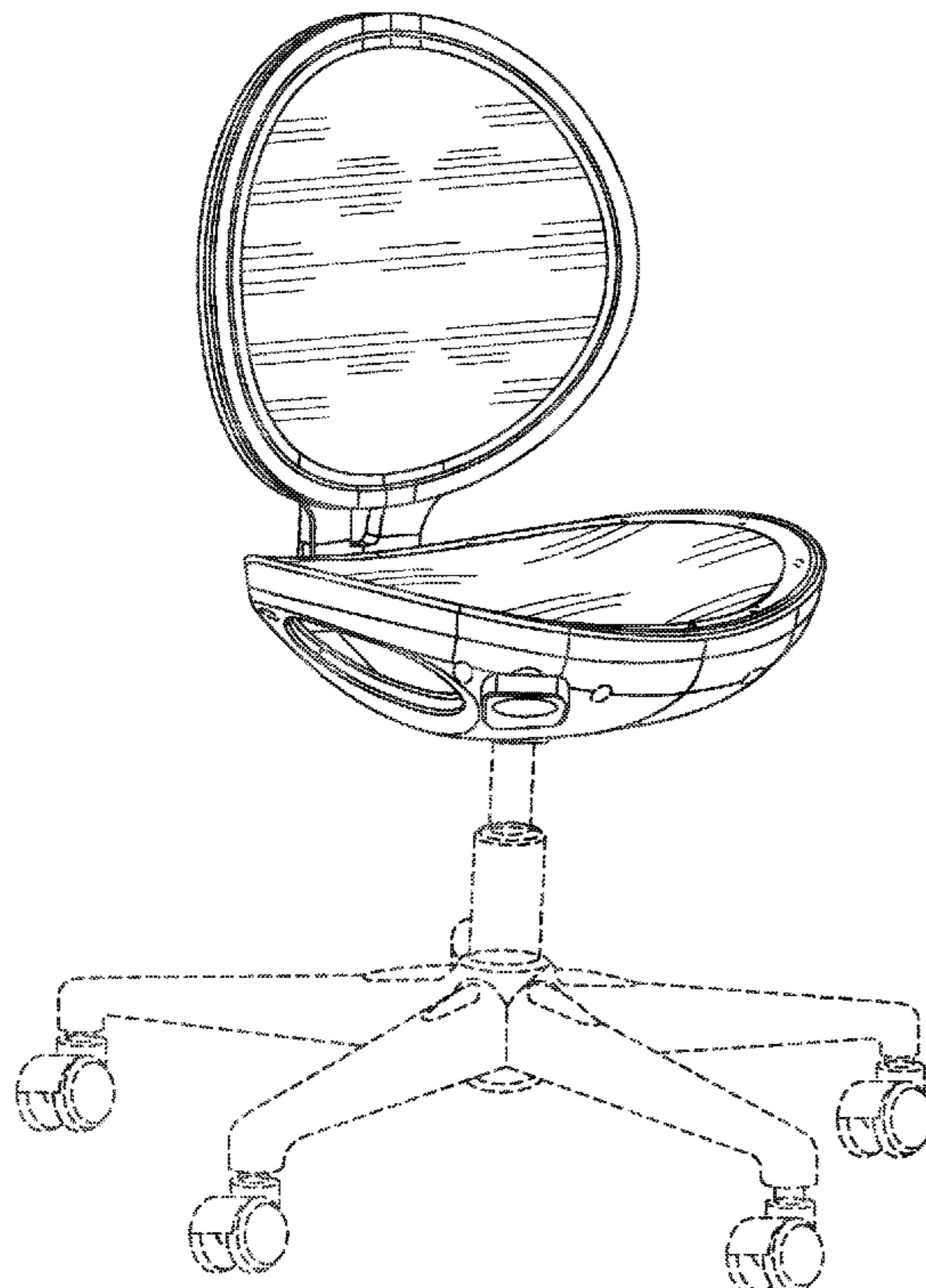
The broken lines in the figures shown structure or boundaries for illustrative purpose only and are not part of the claimed design, but rather show portions of the article in which the design is embodied or applied to that are not considered part of the claimed design. The broken lines shall form no part of the claimed design.

1 Claim, 7 Drawing Sheets

(56) **References Cited**

U.S. PATENT DOCUMENTS

- D218,159 S * 7/1970 Hartang et al. D6/366
- D227,057 S * 6/1973 Buhk D6/366
- D227,953 S * 7/1973 Prizlow D6/366
- D372,618 S * 8/1996 Sulzer D6/716



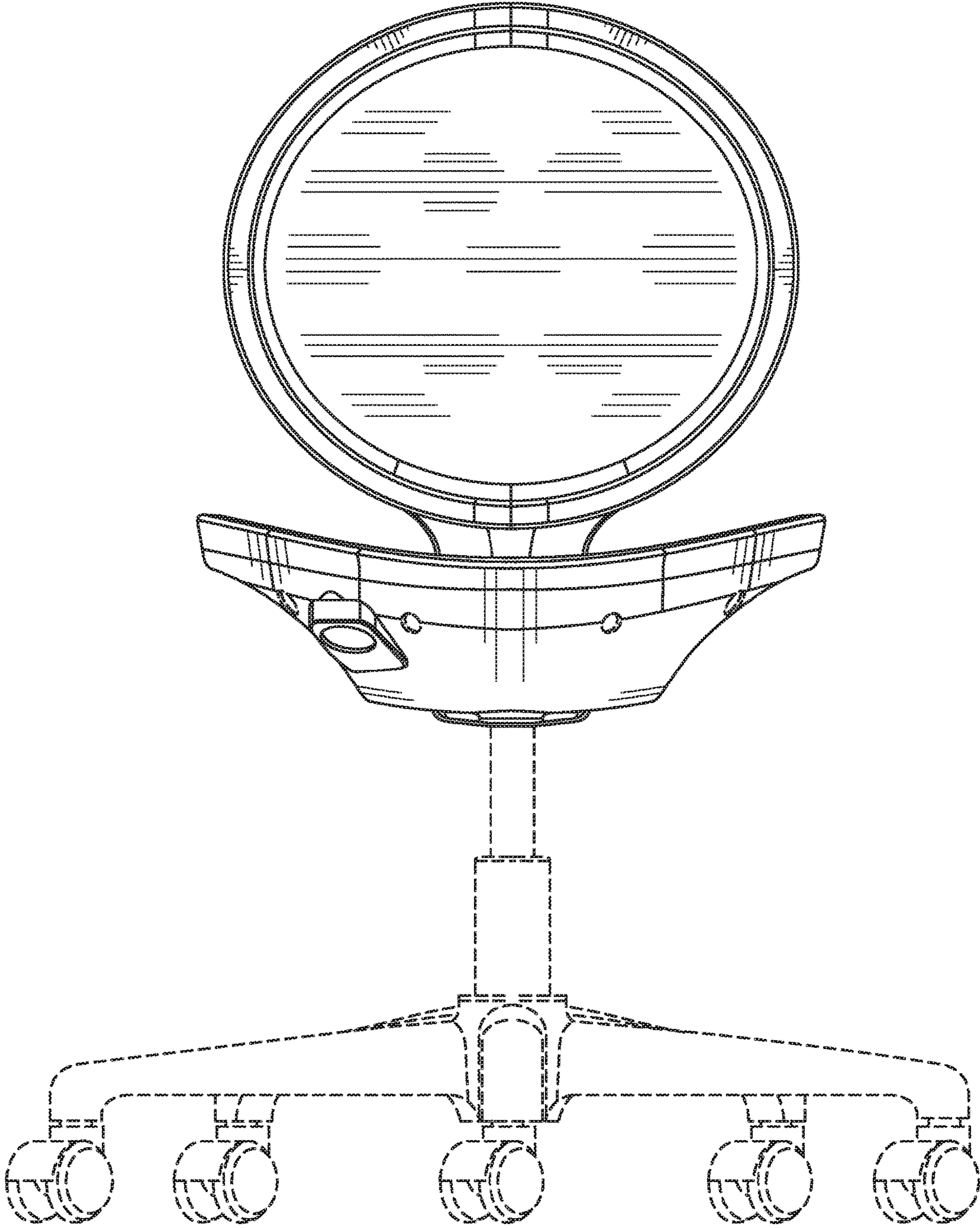


FIG. 1

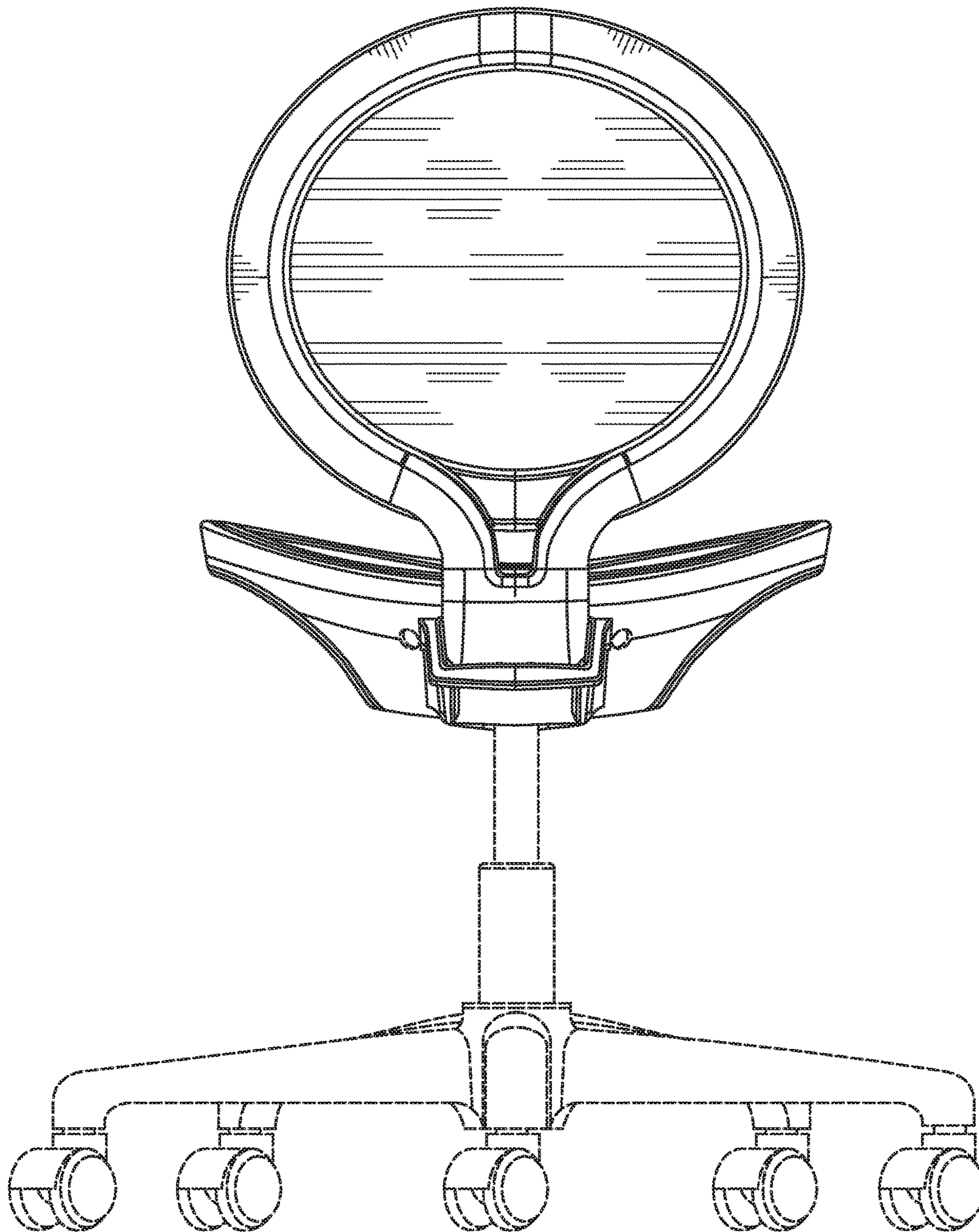


FIG. 2

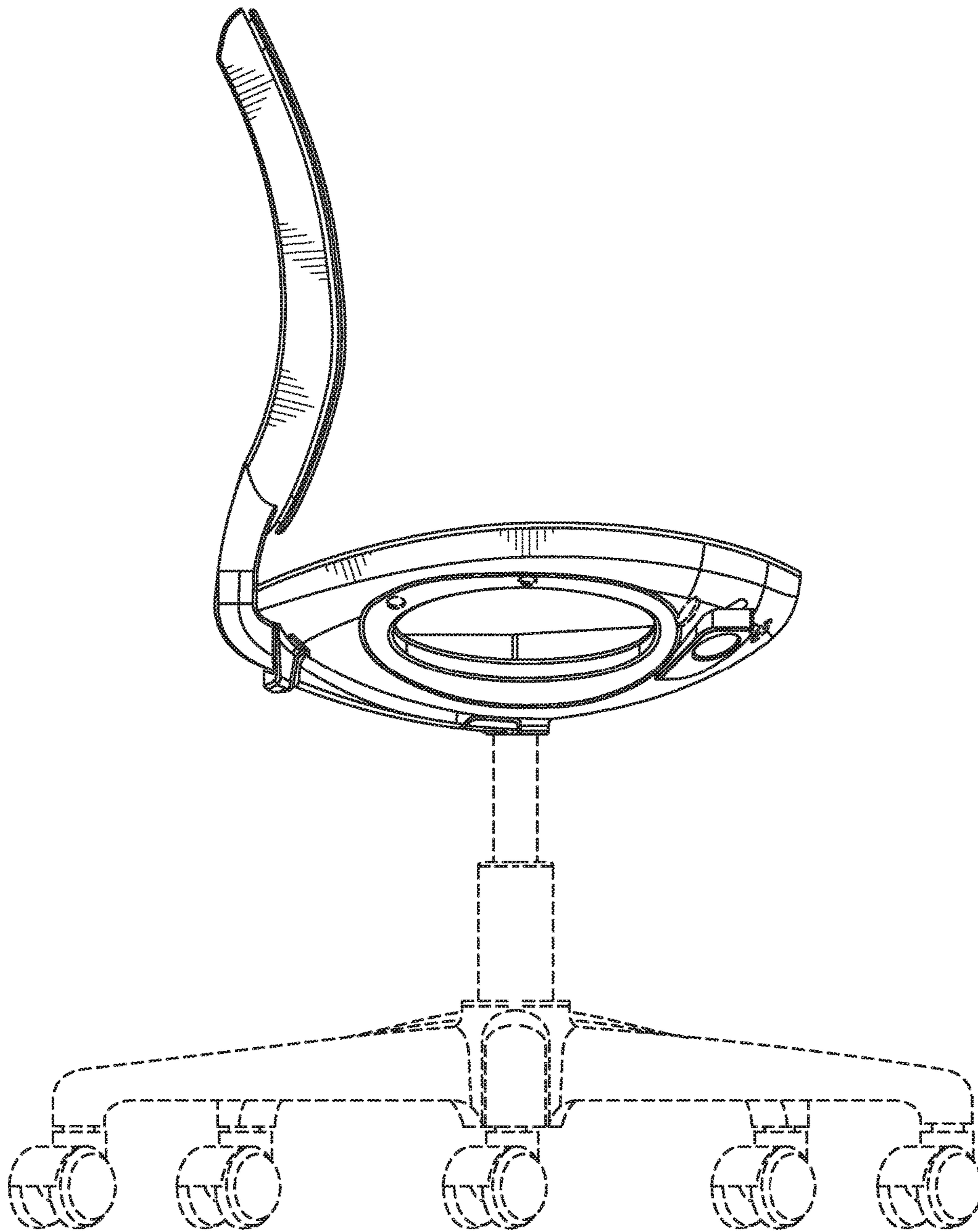


FIG. 3

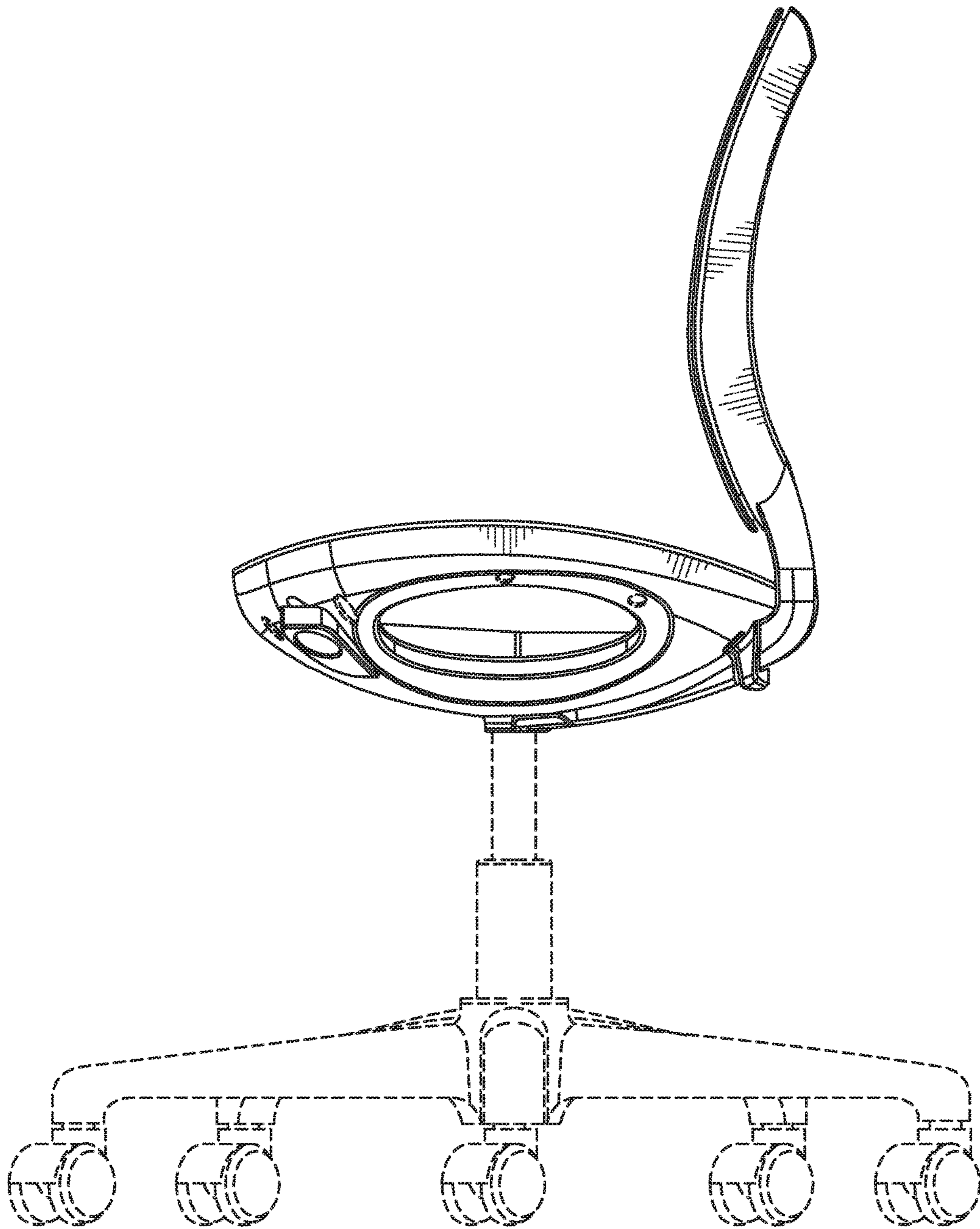


FIG. 4

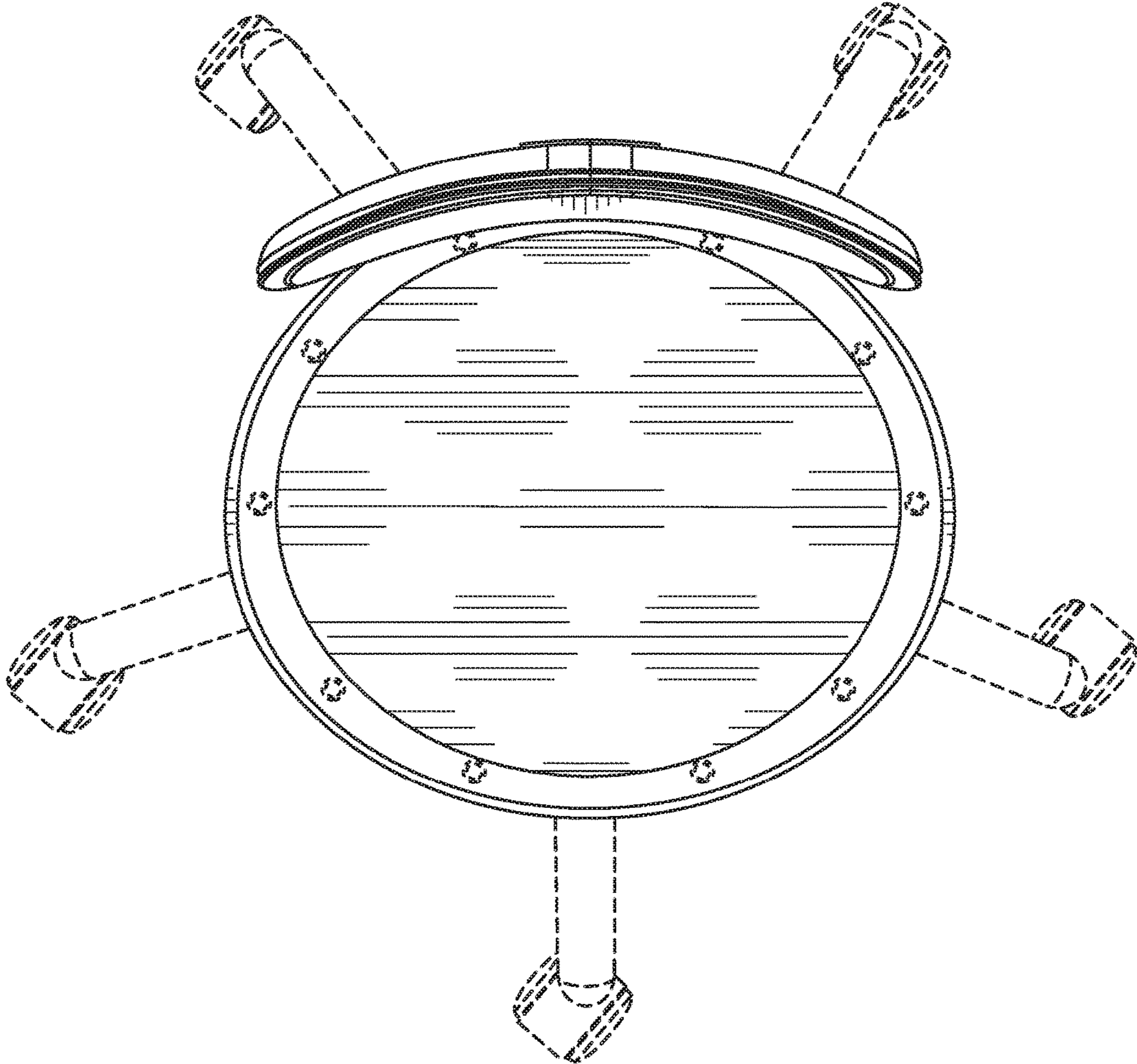


FIG. 5

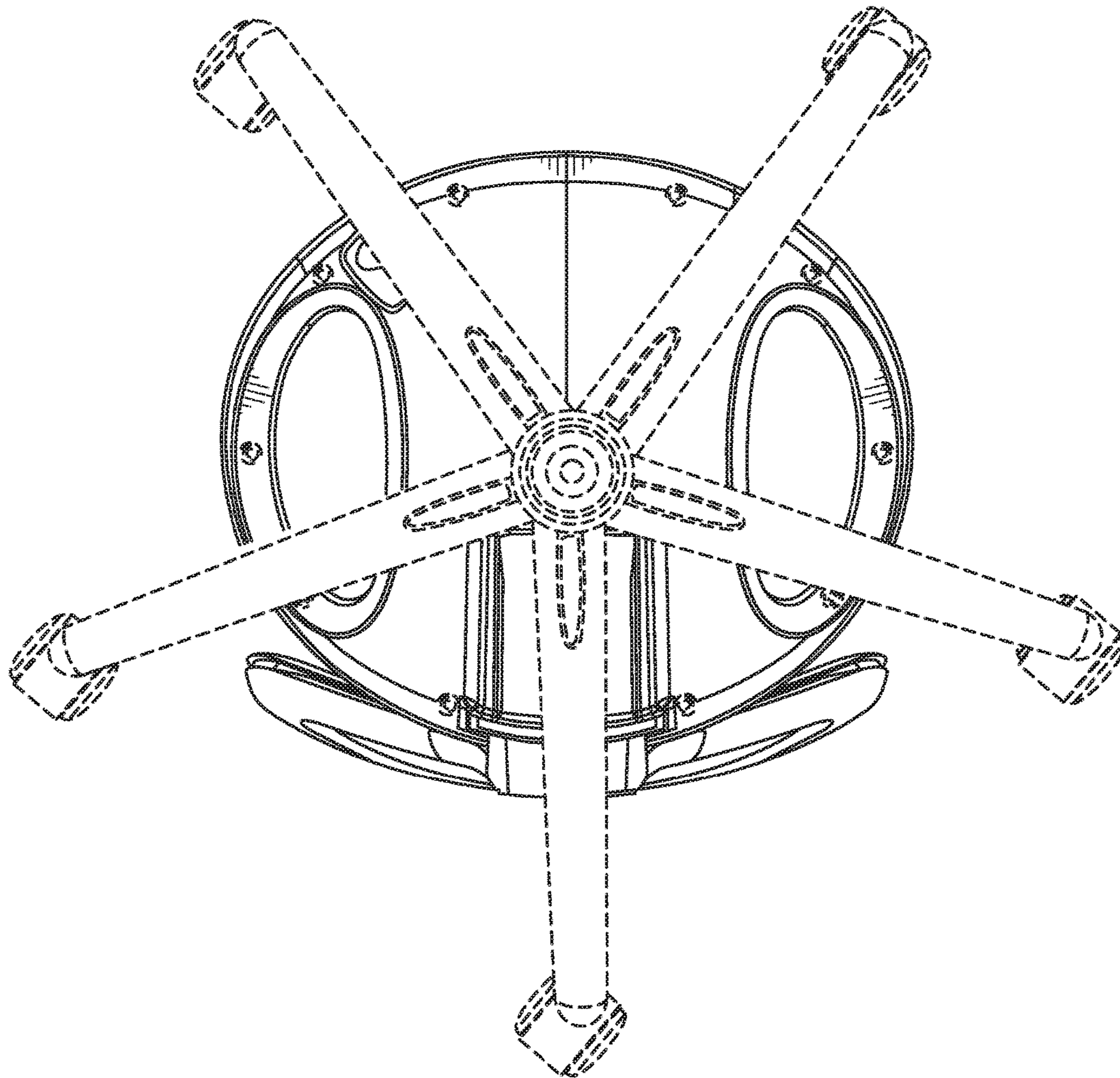


FIG. 6

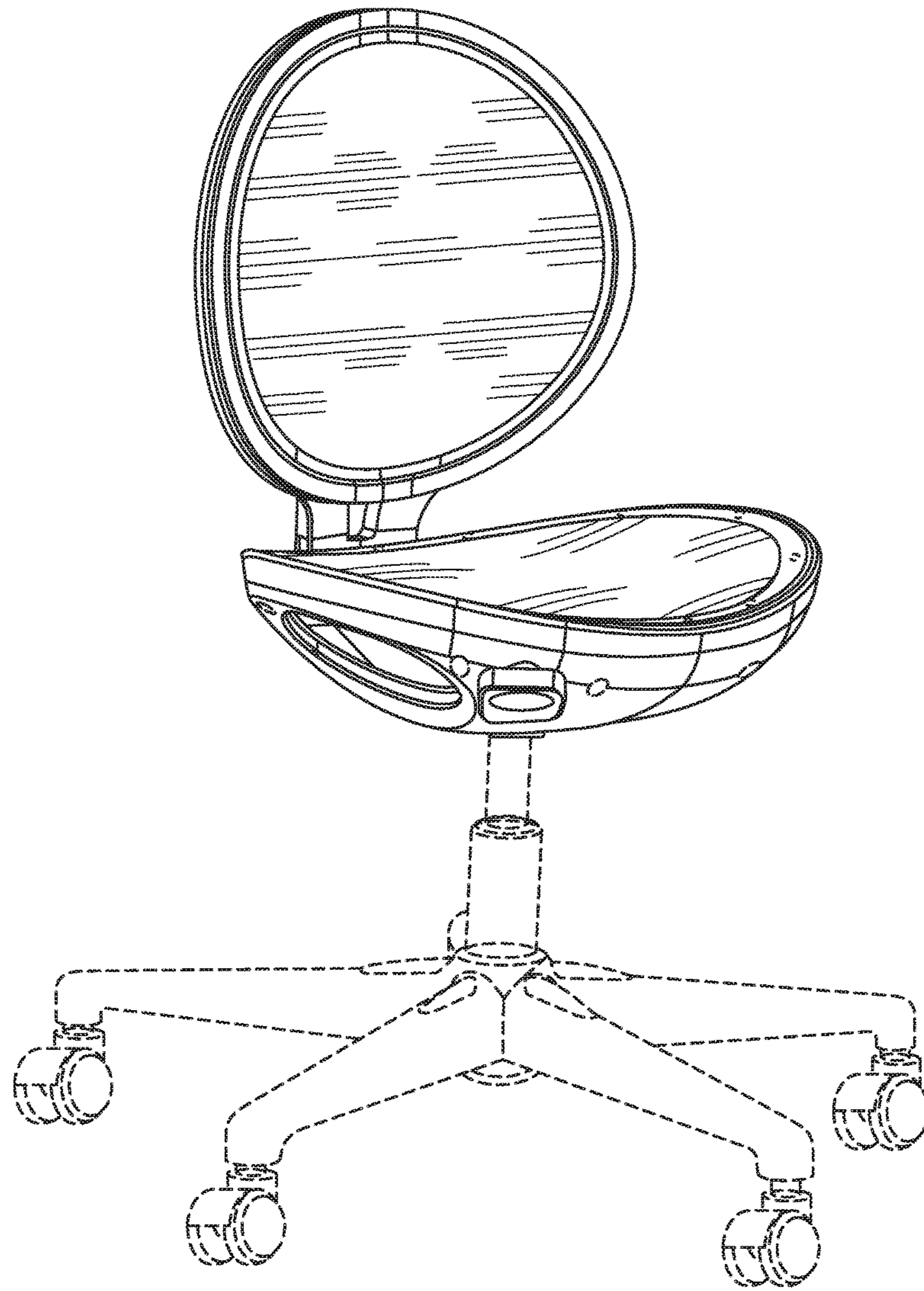


FIG. 7