



US00D788506S

(12) **United States Design Patent**
Choi

(10) **Patent No.:** **US D788,506 S**

(45) **Date of Patent:** **** Jun. 6, 2017**

(54) **BLOCKSHELF**

(71) Applicant: **Judy Kyung Choi**, New York, NY
(US)

(72) Inventor: **Judy Kyung Choi**, New York, NY
(US)

(73) Assignee: **Judy Choi**, New York, NY (US)

(**) Term: **15 Years**

(21) Appl. No.: **29/529,039**

(22) Filed: **Jun. 3, 2015**

(51) **LOC (10) Cl.** **06-06**

(52) **U.S. Cl.**
USPC **D6/705.7**

(58) **Field of Classification Search**
USPC D6/675, 675.1, 705, 705.2, 705.7;
211/31.1, 186-191, 85.4
CPC A47B 45/00; A47B 57/00; A47B 3/06;
A47B 11/00; A47B 47/00; A47B
47/0091; A47B 87/02; A47B 87/0215
See application file for complete search history.

(56) **References Cited**

U.S. PATENT DOCUMENTS

D248,345 S *	7/1978	Stoddard	D6/353
D303,190 S *	9/1989	Suttles	D6/699.5
D406,964 S *	3/1999	Lewis	D6/349
D427,814 S *	7/2000	Black	D6/690
D427,815 S *	7/2000	Lewis	D6/349
D465,936 S *	11/2002	Arnold	D6/349
D466,337 S *	12/2002	Feng	D6/689
D539,569 S *	4/2007	Lewis	D6/406.6
D591,090 S *	4/2009	Judkins	D6/691.8
D599,570 S *	9/2009	Skalka	D6/355
D611,735 S *	3/2010	Stukenberg	D6/691.8
D651,651 S *	1/2012	Beukema	D13/139.1

D659,415 S *	5/2012	Soto	D6/355
D693,610 S *	11/2013	Denby	D6/675
D694,557 S *	12/2013	Rodgers	D6/675
D716,077 S *	10/2014	Hsu	D6/675
D728,281 S *	5/2015	Heirakuji	D6/675

* cited by examiner

Primary Examiner — Kelley Donnelly

(57) **CLAIM**

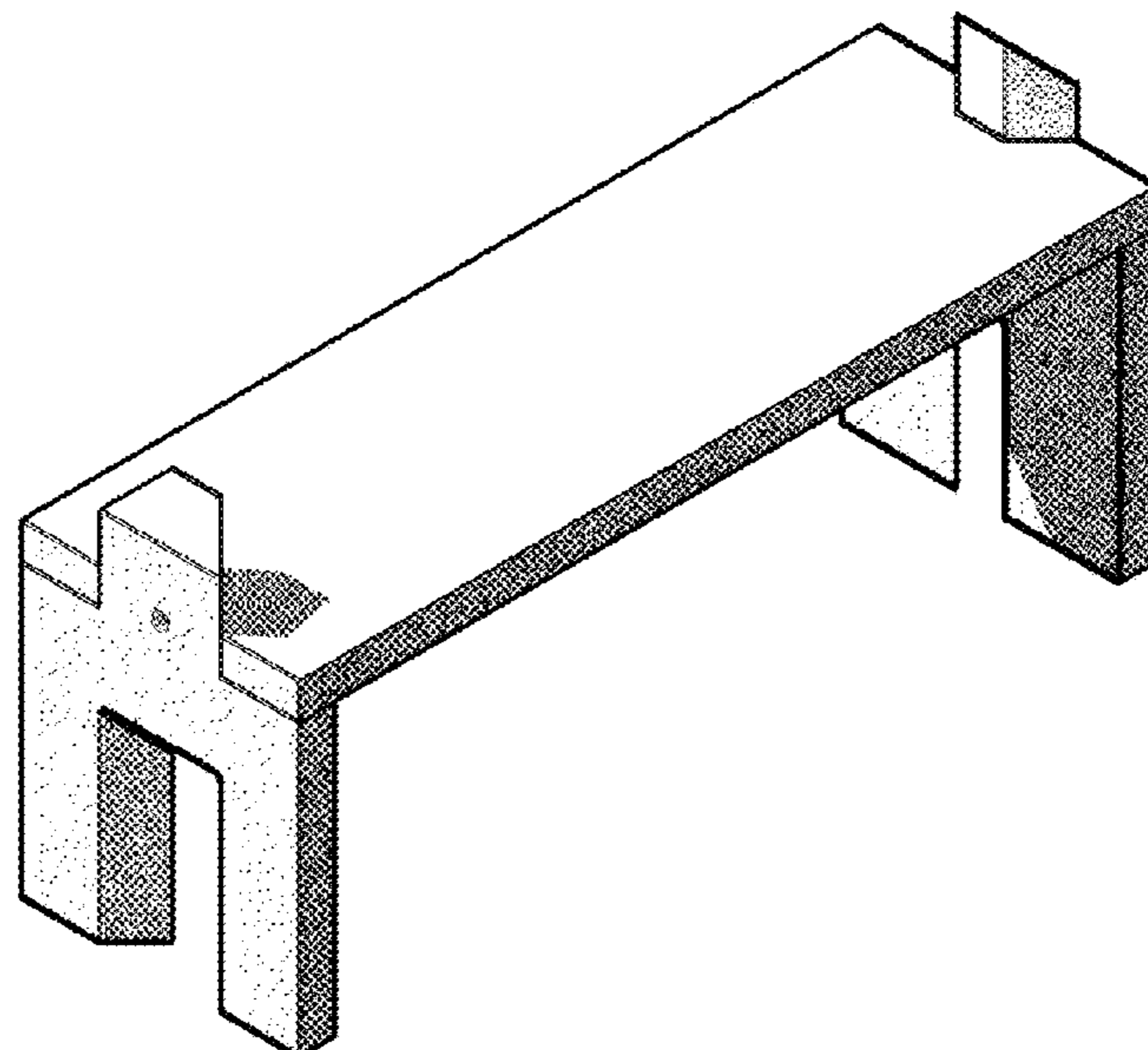
The ornamental design for a blockshelf, as shown and described.

DESCRIPTION

FIG. 1 is an isometric view of a blockshelf, showing my new design;
 FIG. 2 is an exploded isometric view thereof;
 FIG. 3 is the end view thereof;
 FIG. 4 is the front view thereof;
 FIG. 5 is a bottom view thereof;
 FIG. 6 is a top plan view thereof;
 FIG. 7 is a cross-section view of FIG. 3 thereof;
 FIG. 8 is a cross-section view of FIG. 4 thereof;
 FIG. 9 is an exploded view of FIG. 8 thereof;
 FIG. 10 is an exploded plan section thereof;
 FIG. 11 is a side elevation view thereof shown with environment;
 FIG. 12 is a front elevation view thereof shown with environment;
 FIG. 13 is an exploded view shown with environment; and,
 FIG. 14 is an isometric view shown with environment thereof.

The stippled technique represents shading.
The broken lines depict environmental subject matter only and form no part of the claimed design.

1 Claim, 4 Drawing Sheets



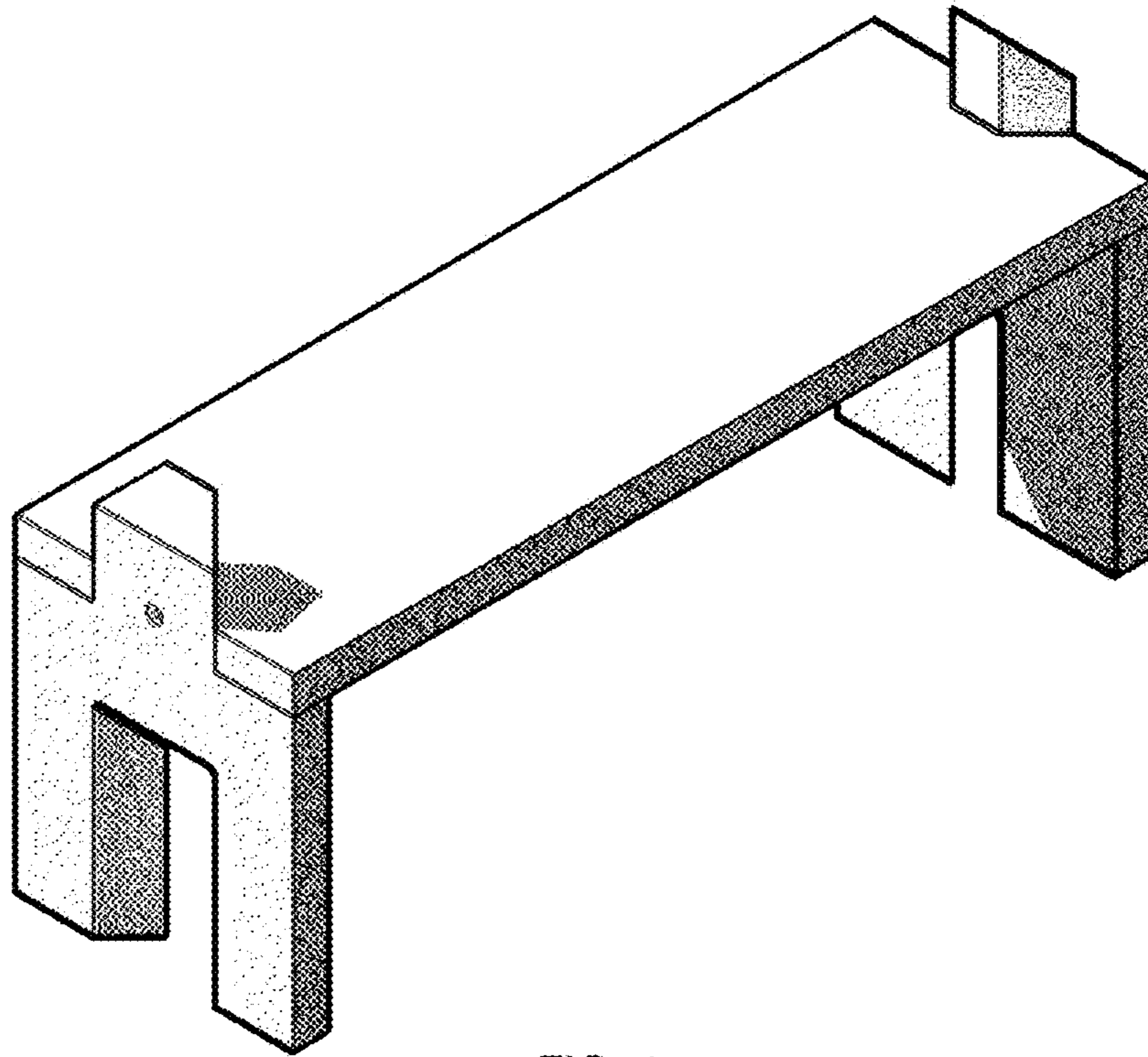


FIG. 1

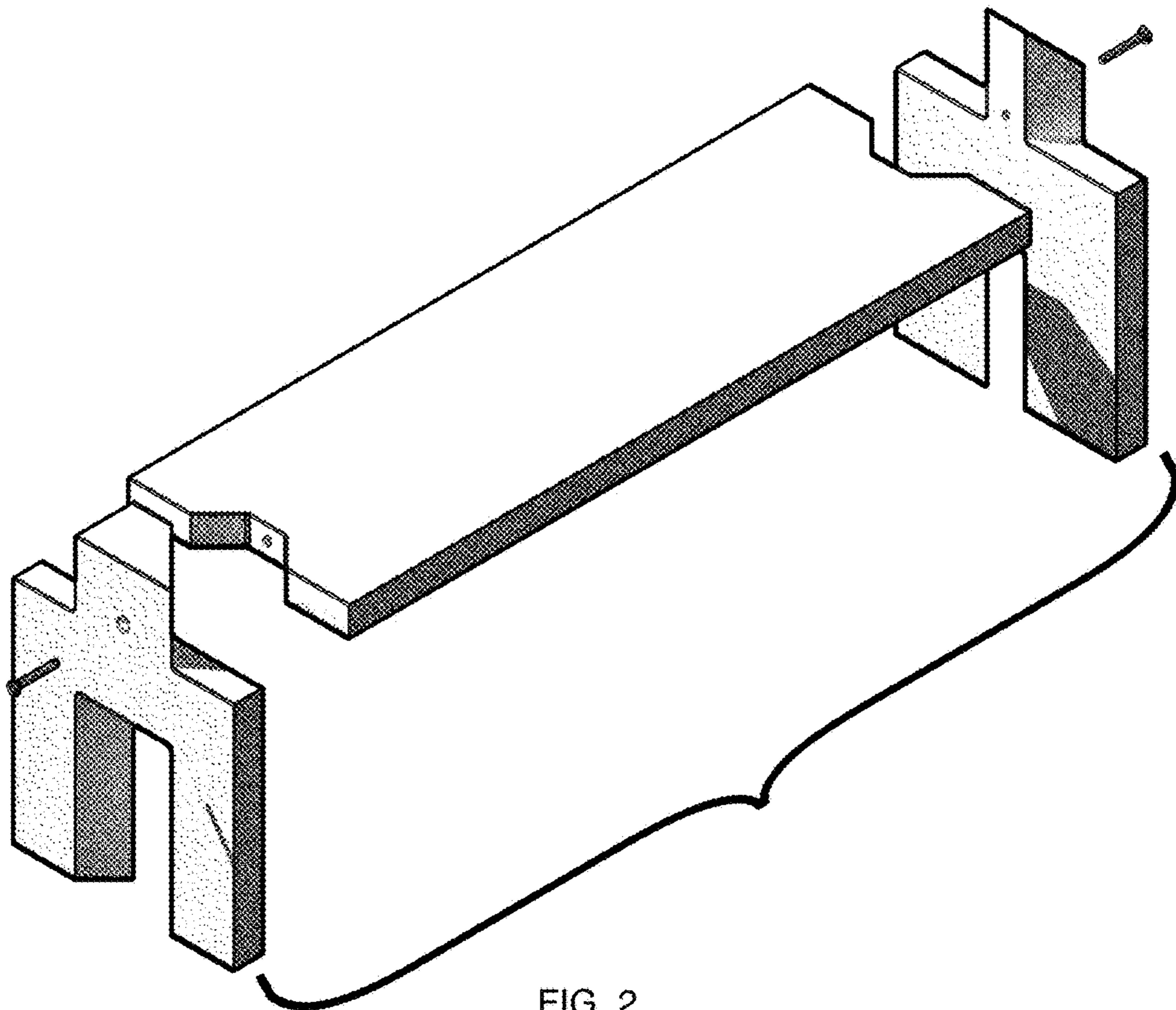


FIG. 2

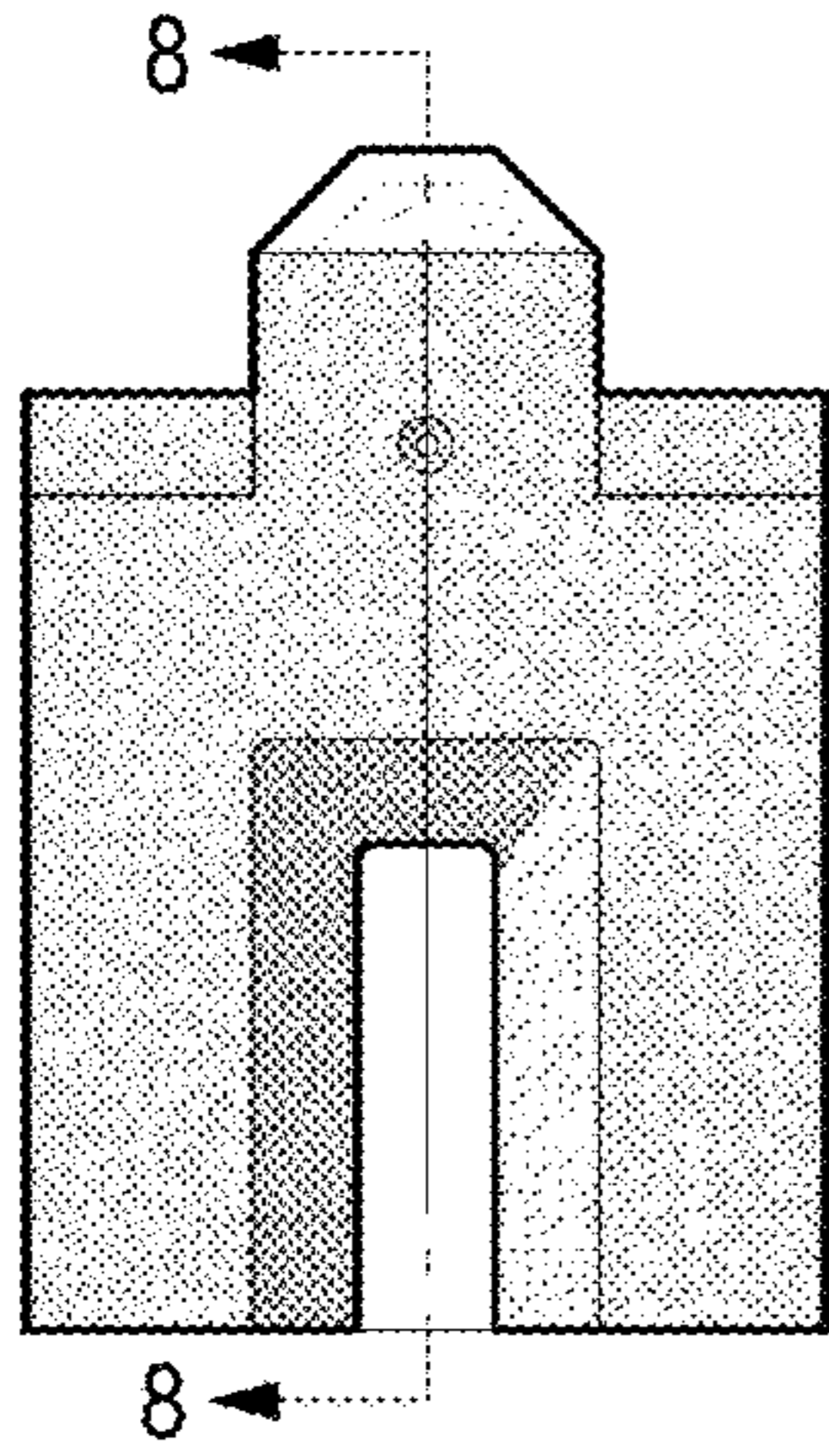


FIG. 3

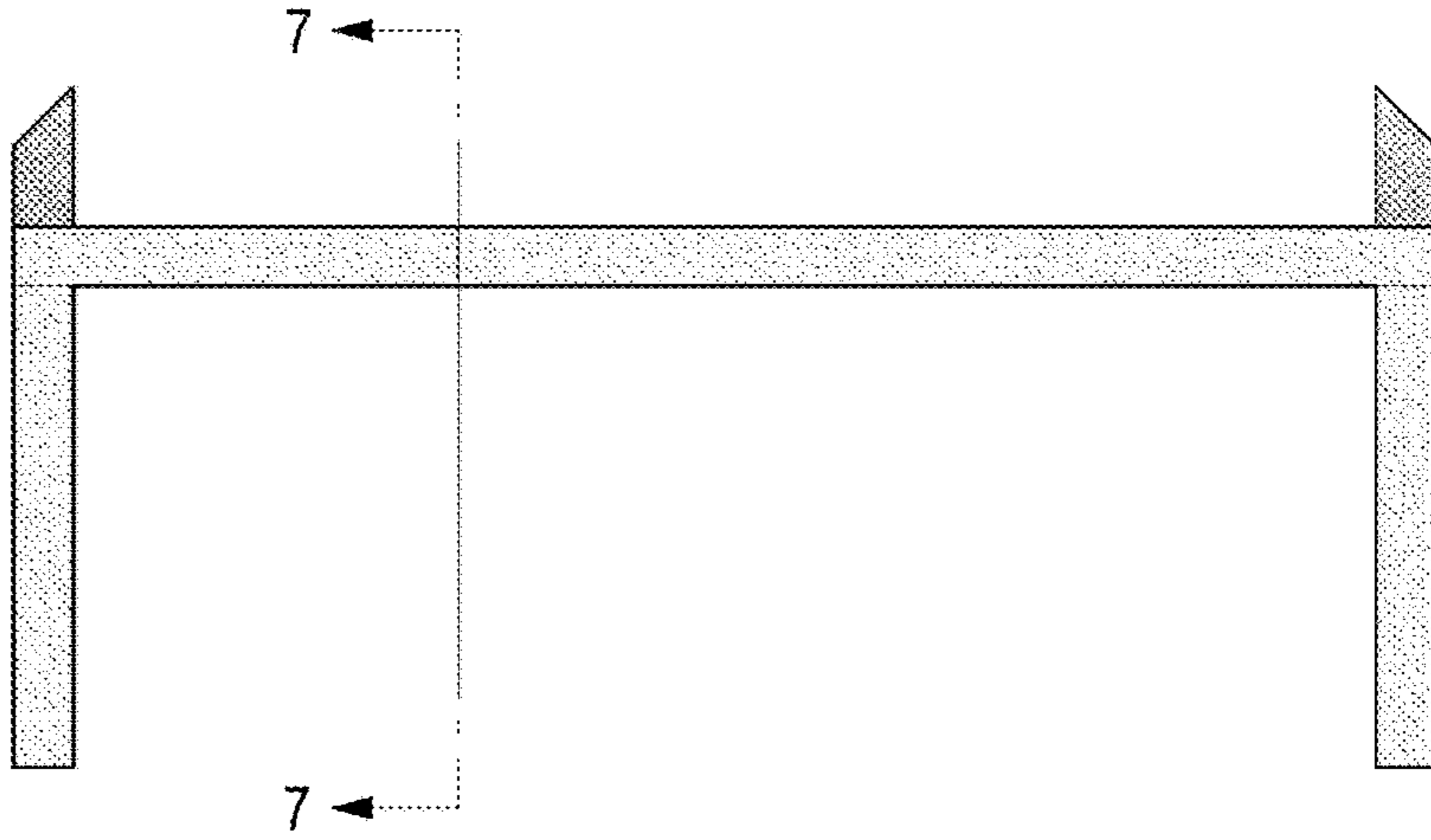


FIG. 4

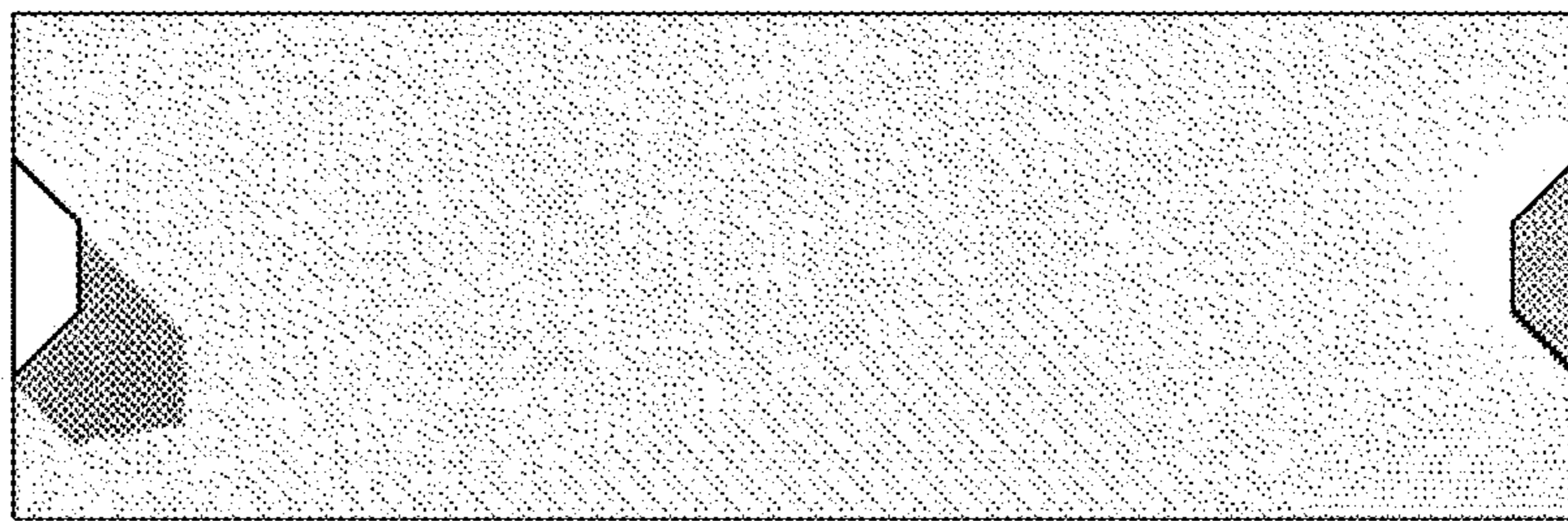


FIG. 5

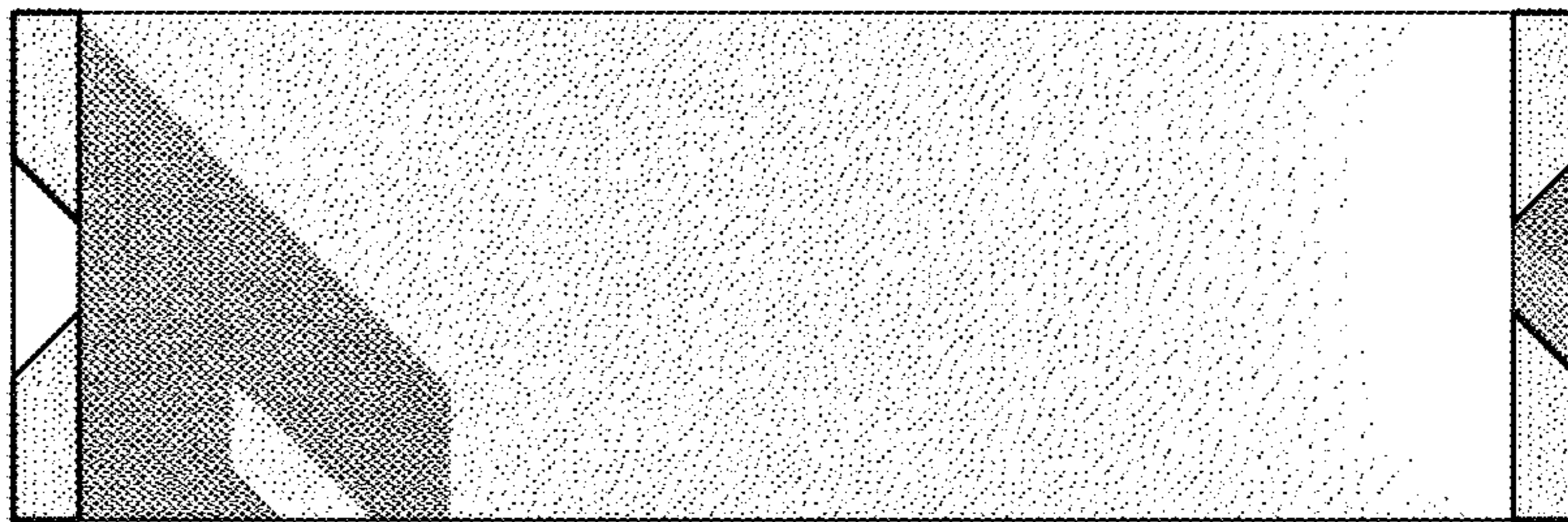


FIG. 6

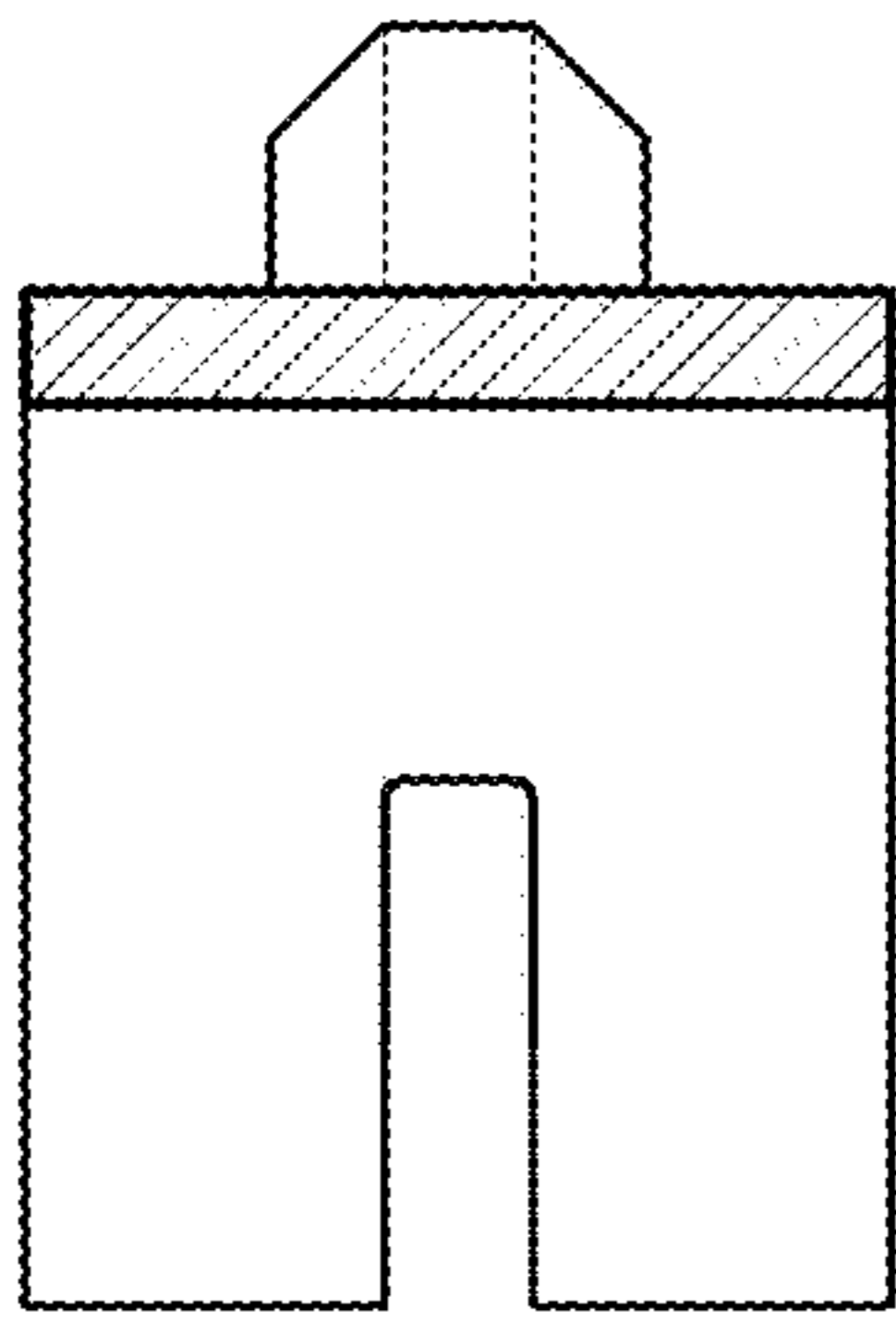


FIG. 7

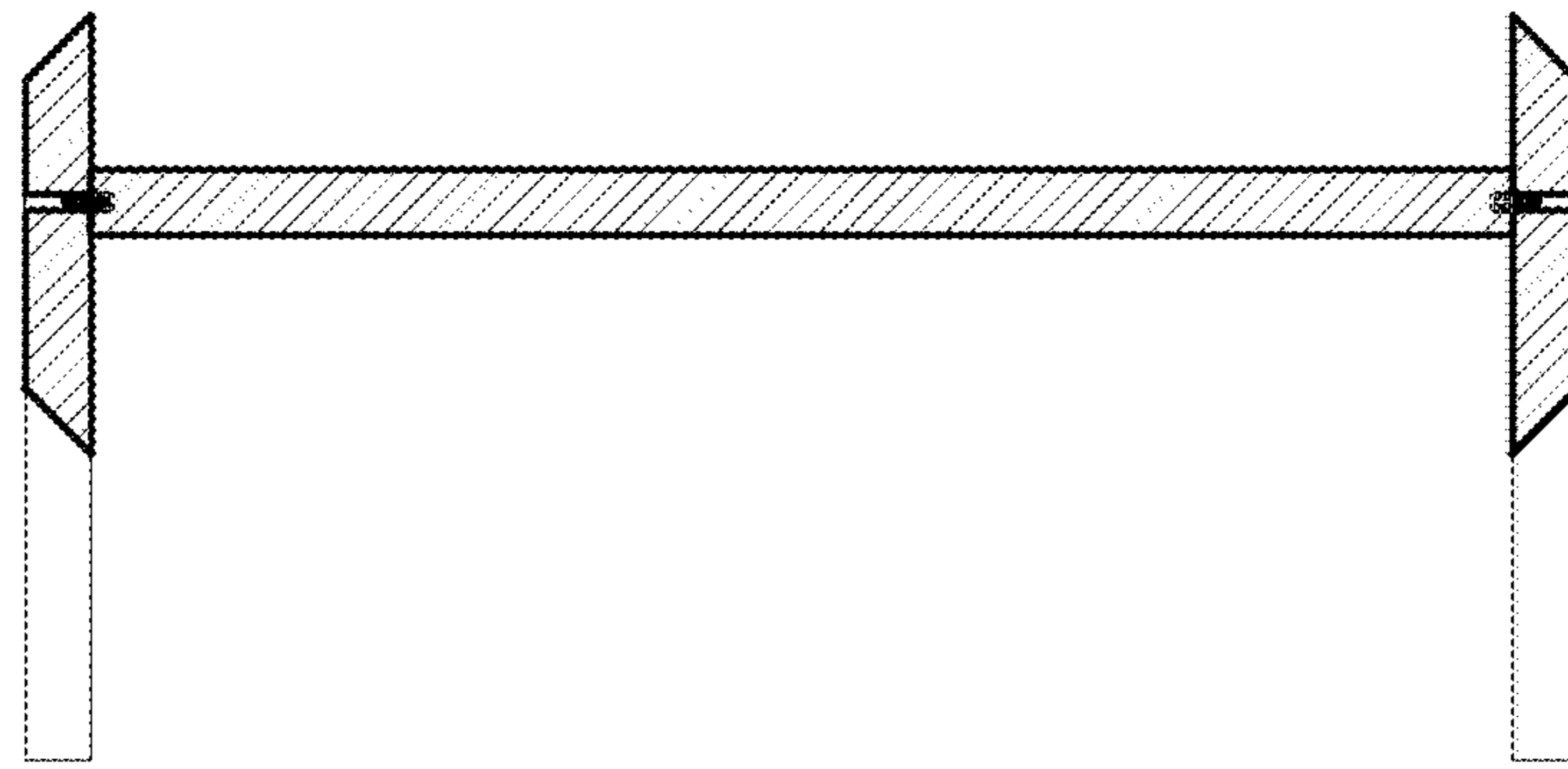


FIG. 8

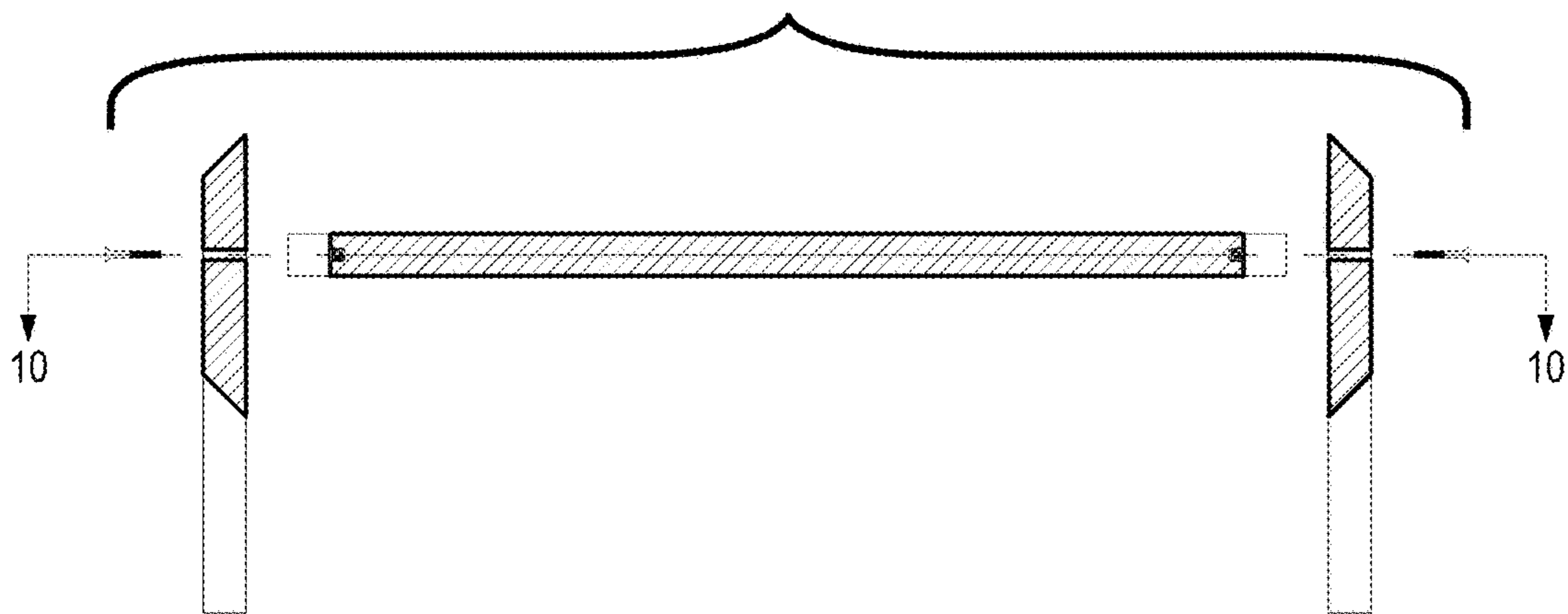


FIG. 9

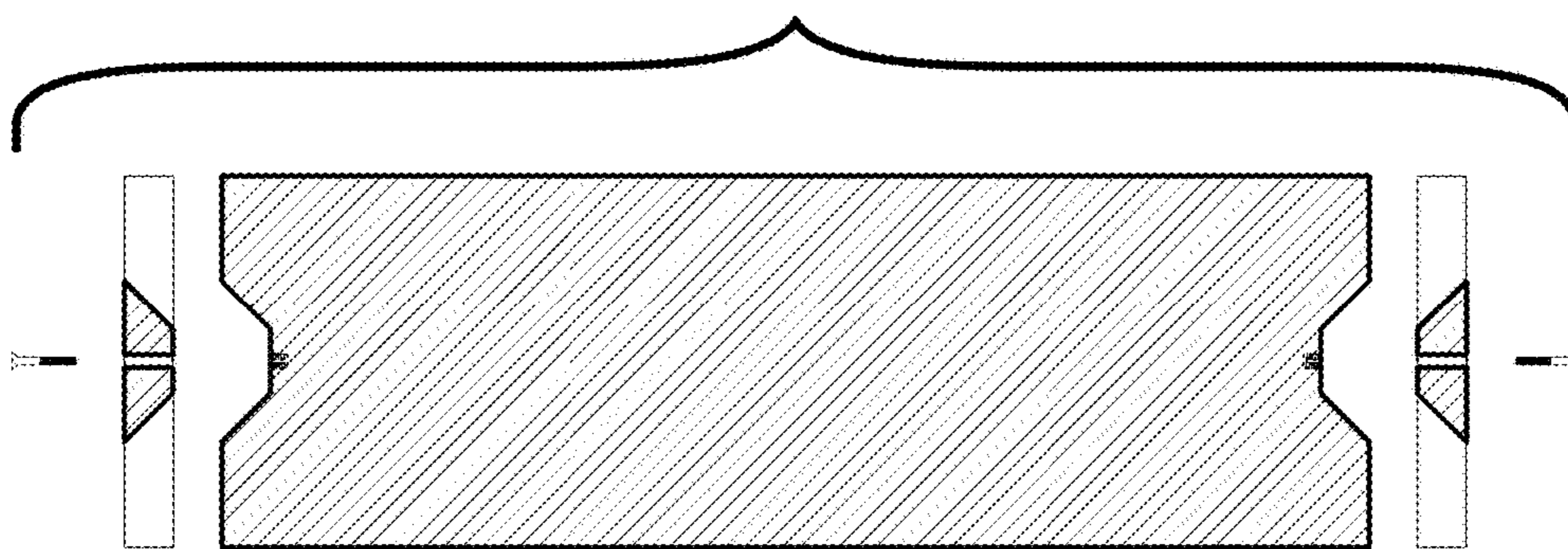


FIG. 10



FIG. 11

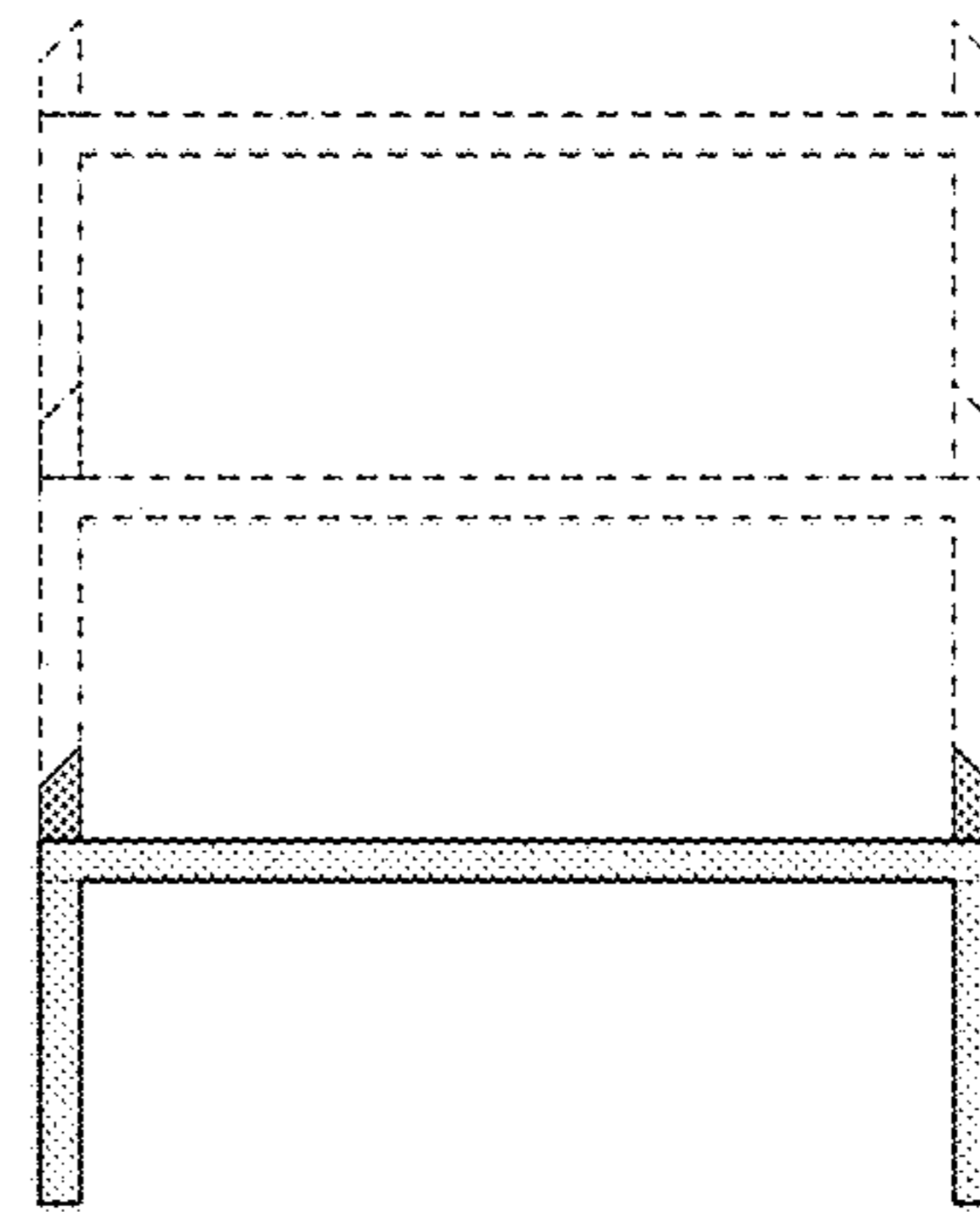


FIG. 12

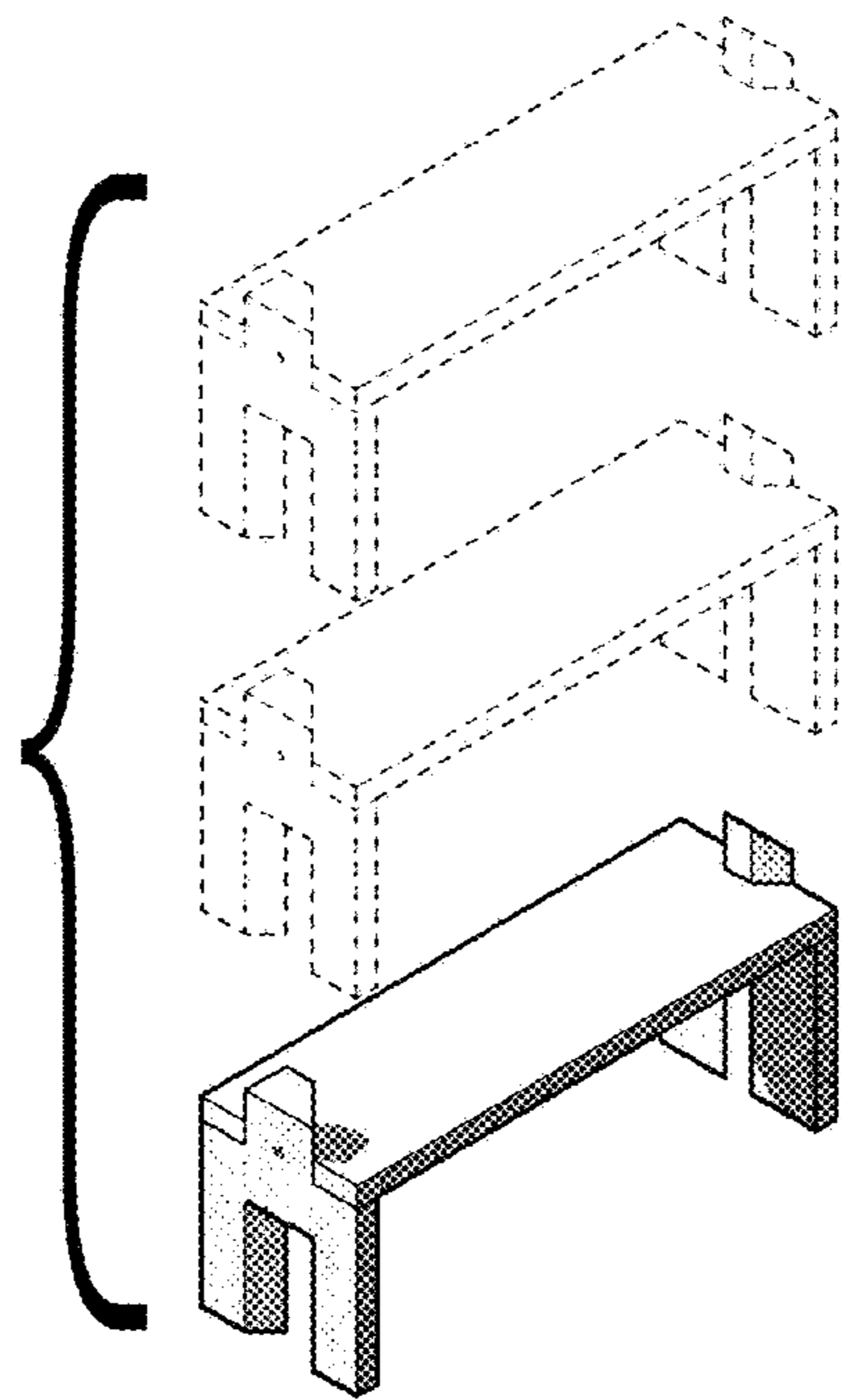


FIG. 13

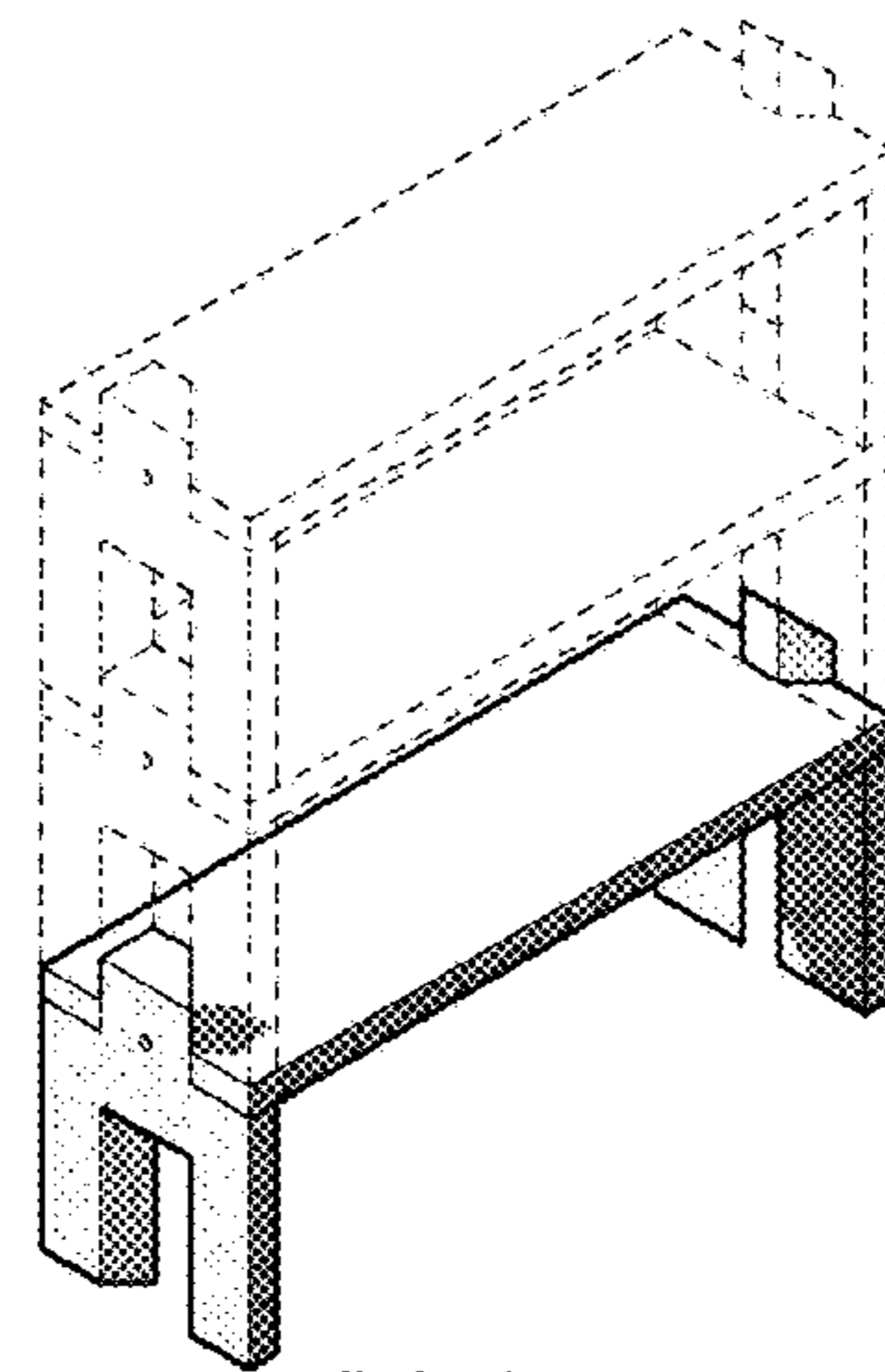


FIG. 14