



US00D788505S

(12) **United States Design Patent**
Wu

(10) **Patent No.:** **US D788,505 S**

(45) **Date of Patent:** **** Jun. 6, 2017**

(54) **DINING TABLE**

(71) Applicant: **HANGZHOU SICCO
ART-TECHNOLOGY CO., LTD,**
Hangzhou (CN)

(72) Inventor: **Zuoguang Wu,** Hangzhou (CN)

(73) Assignee: **HANGZHOU SICCO
ART-TECHNOLOGY CO., LTD,**
Hangzhou (CN)

(**) Term: **14 Years**

(21) Appl. No.: **29/525,781**

(22) Filed: **May 2, 2015**

(30) **Foreign Application Priority Data**

Nov. 4, 2014 (CN) 2014 3 0430309

(51) **LOC (10) Cl.** **06-04**

(52) **U.S. Cl.**
USPC **D6/692.3**

(58) **Field of Classification Search**
USPC D6/641, 685, 692, 692.1, 692.3, 708.17,
D6/708.2; 108/150, 151, 152, 153.1, 161,
108/159; 248/188, 188.1, 188.5
CPC ... A47B 2009/006; A47B 13/00; A47B 13/02;
A47B 13/04; A47B 13/023; A47B
2013/006; A47B 9/00; A47B 9/04; A47B
9/02; A47B 13/023

See application file for complete search history.

(56) **References Cited**

U.S. PATENT DOCUMENTS

D38,140 S * 7/1906 Paurowicz et al. D6/692.3
3,683,824 A * 8/1972 Weber A47B 9/00
108/150

D233,719 S * 11/1974 Everard et al. D6/692.3
D281,559 S * 12/1985 Murry D6/692.4
D323,263 S * 1/1992 Blackburn D6/686
D338,359 S * 8/1993 Sorenson D6/692.3
5,353,716 A * 10/1994 Wilbert A47B 7/02
108/150
5,363,772 A * 11/1994 Adamidis A47B 9/00
108/66
D387,585 S * 12/1997 Shields D6/656.15
D403,183 S * 12/1998 Lewis D6/692.3
D542,570 S * 5/2007 Tabashi D6/692
D562,599 S * 2/2008 Everson D6/692.3
D613,096 S * 4/2010 Stoepker D6/692.3
D659,435 S * 5/2012 Sofield D6/692.3
D745,297 S * 12/2015 Ye D6/692.3
D769,036 S * 10/2016 Manea D6/692.3
2015/0083029 A1 * 3/2015 Pan A47B 13/088
108/104

* cited by examiner

Primary Examiner — John Windmuller

Assistant Examiner — Steven Czyz

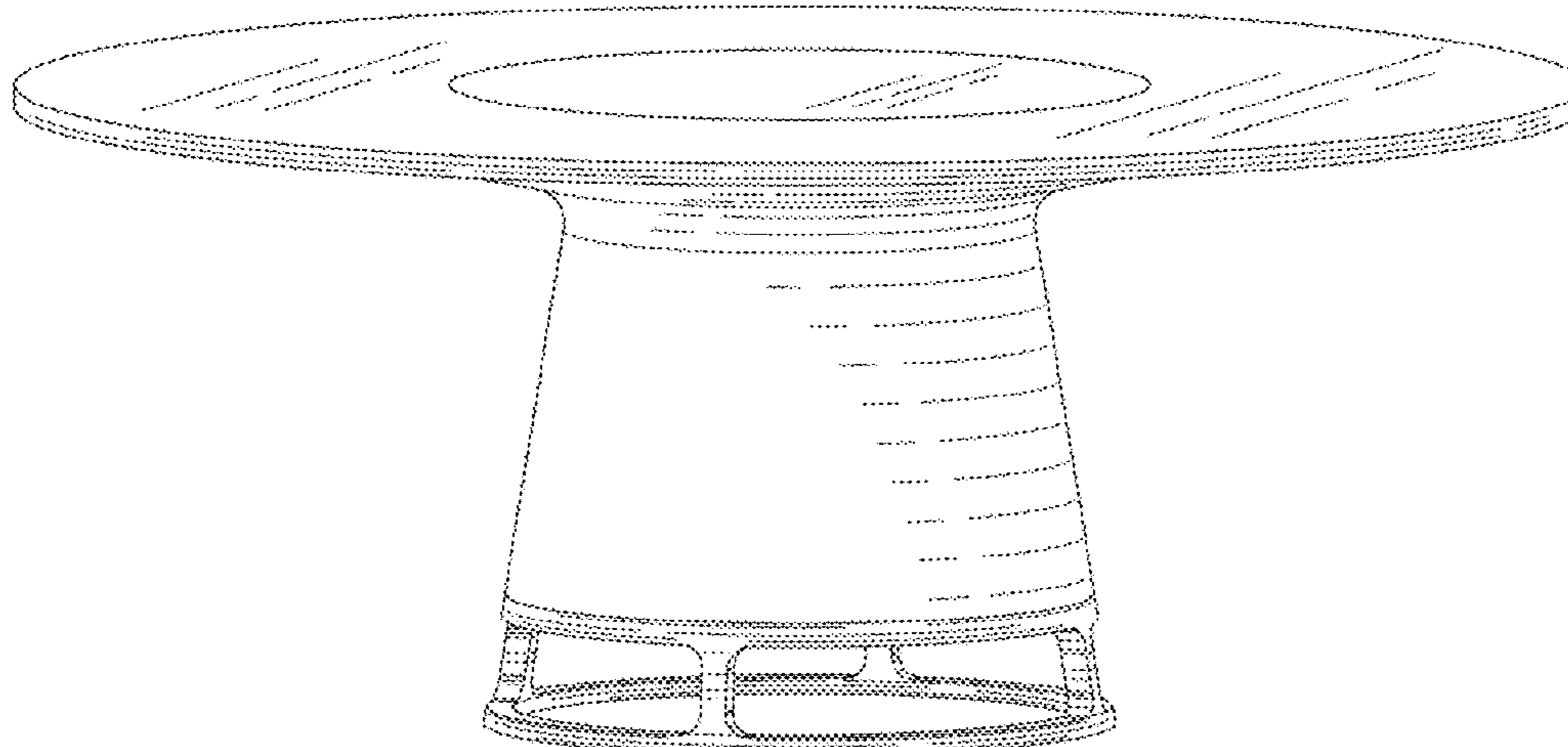
(57) **CLAIM**

The ornamental design for a dining table, as shown and described.

DESCRIPTION

FIG. 1 is a front view of a dining table;
FIG. 2 is a back view thereof;
FIG. 3 is a left side view thereof;
FIG. 4 is a right side view thereof;
FIG. 5 is a top plan view thereof;
FIG. 6 is a bottom plan view thereof; and,
FIG. 7 is a perspective view thereof.

1 Claim, 7 Drawing Sheets



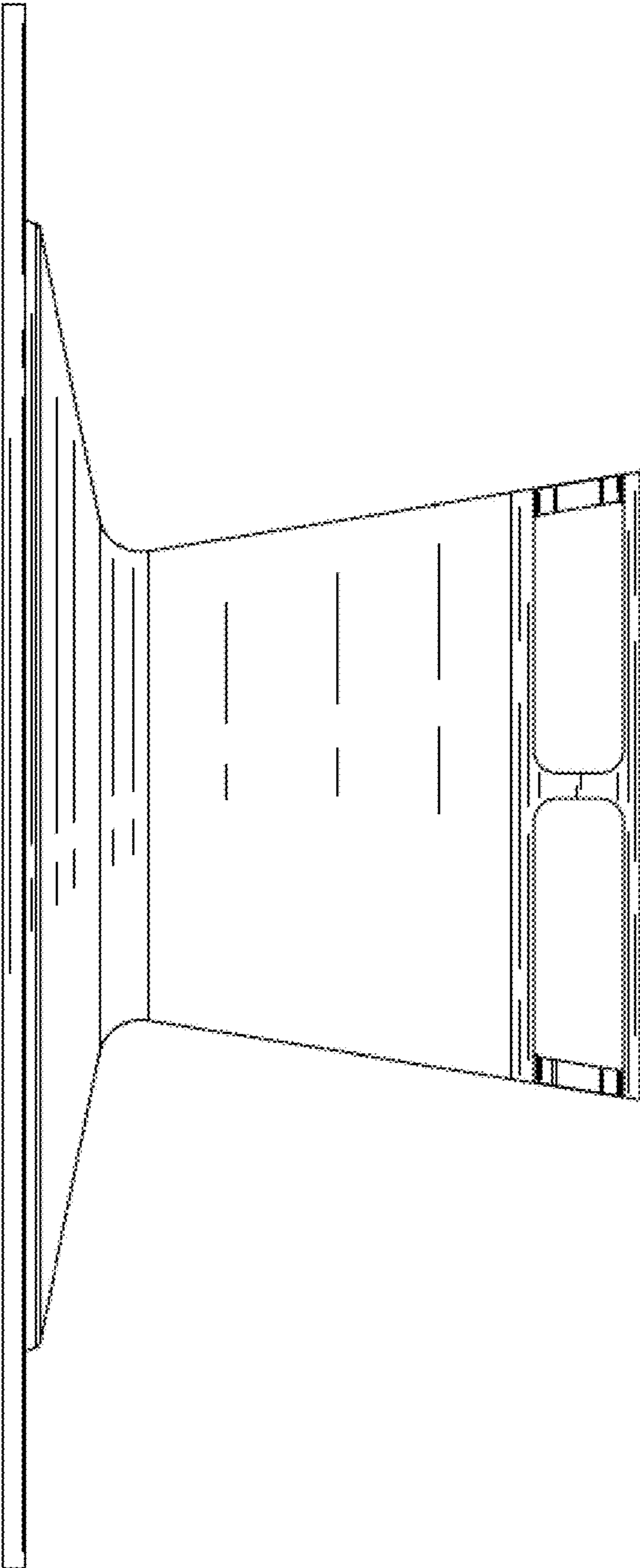


Figure 1

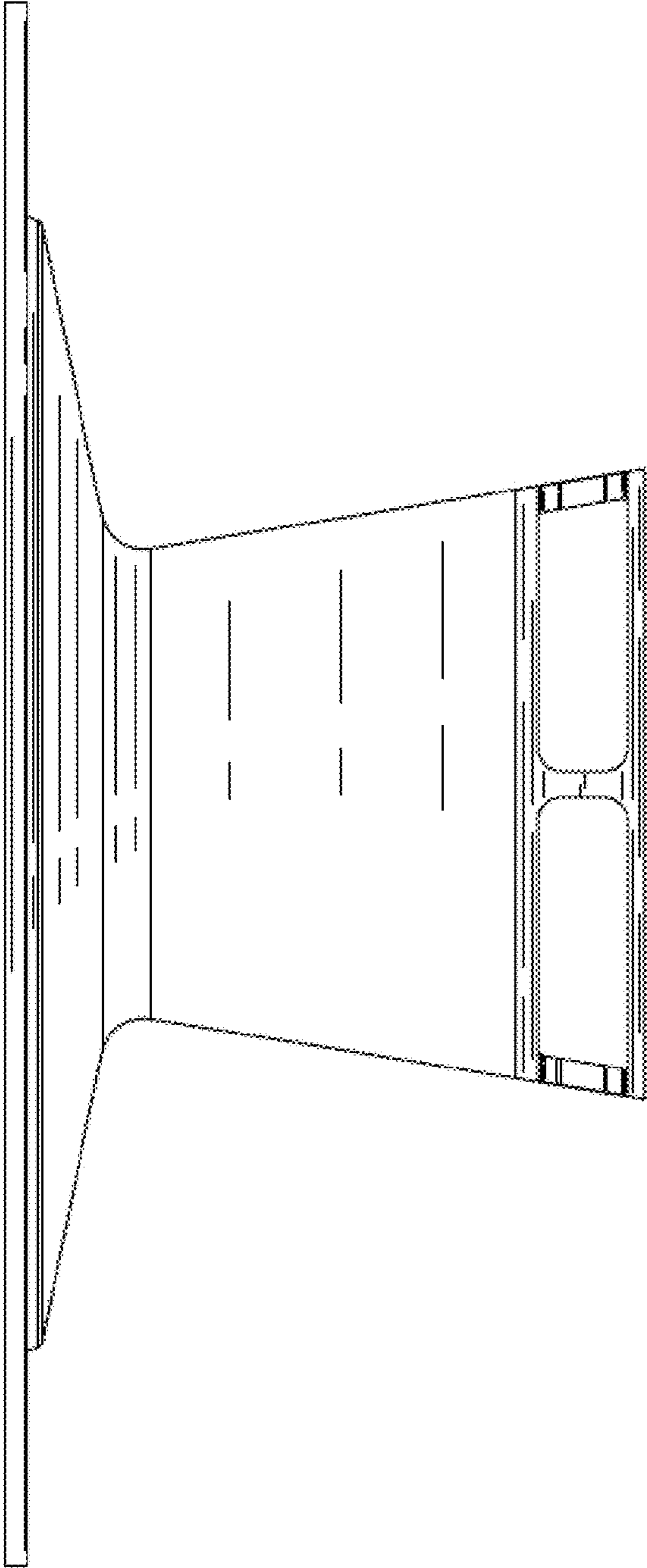


Figure 2

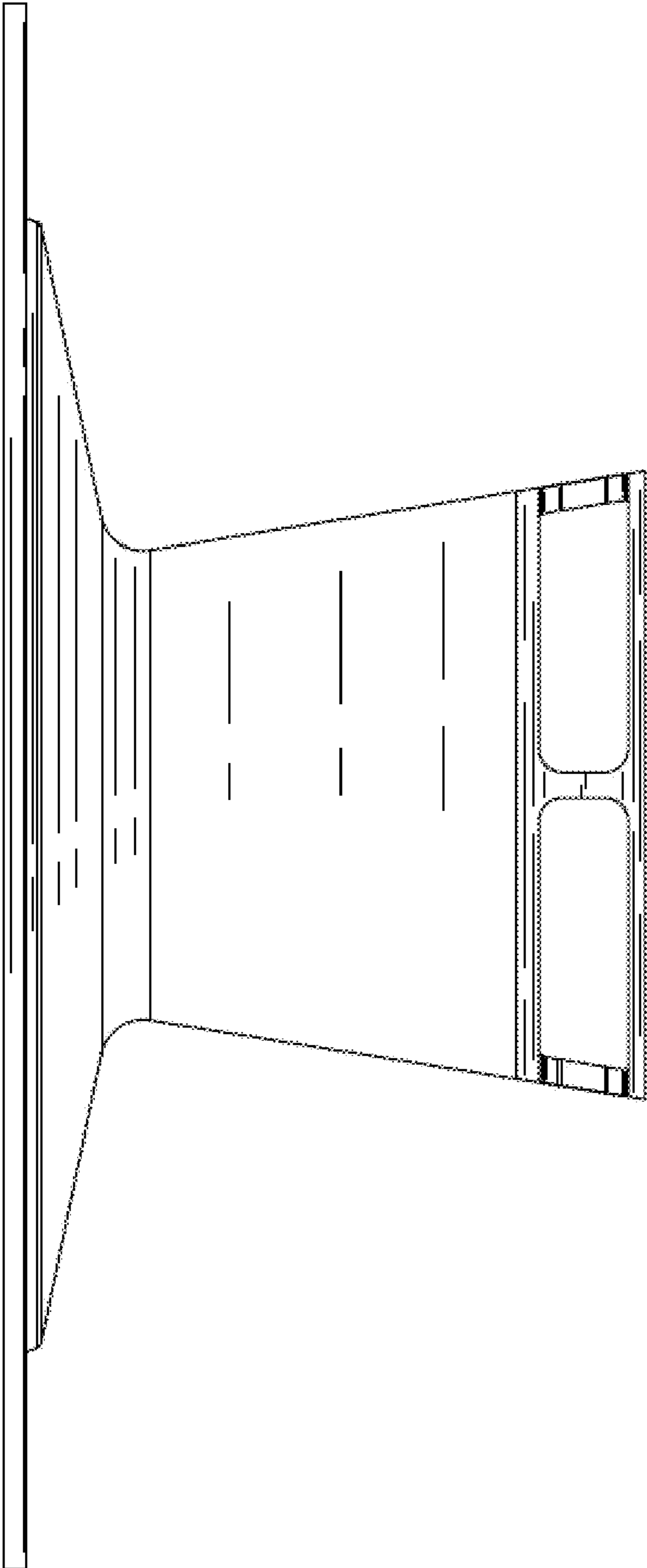


Figure 3

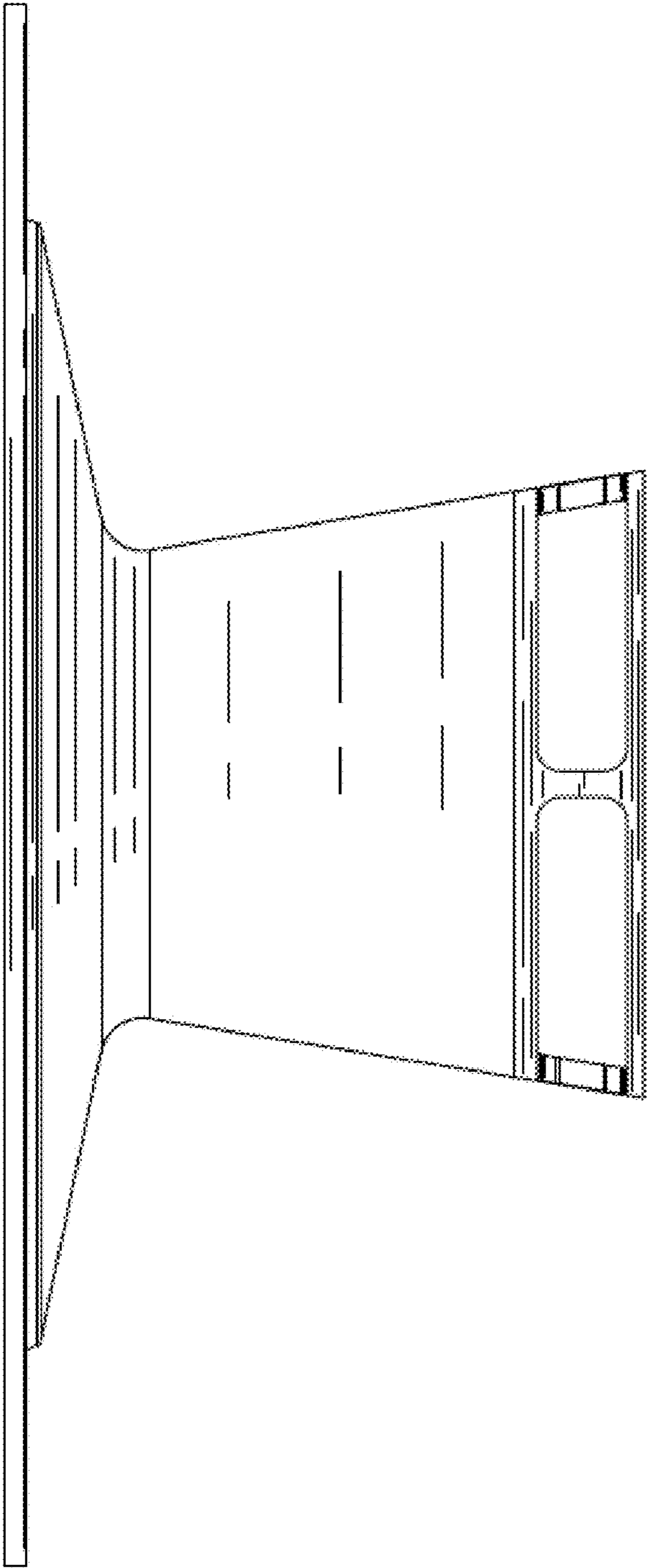


Figure 4

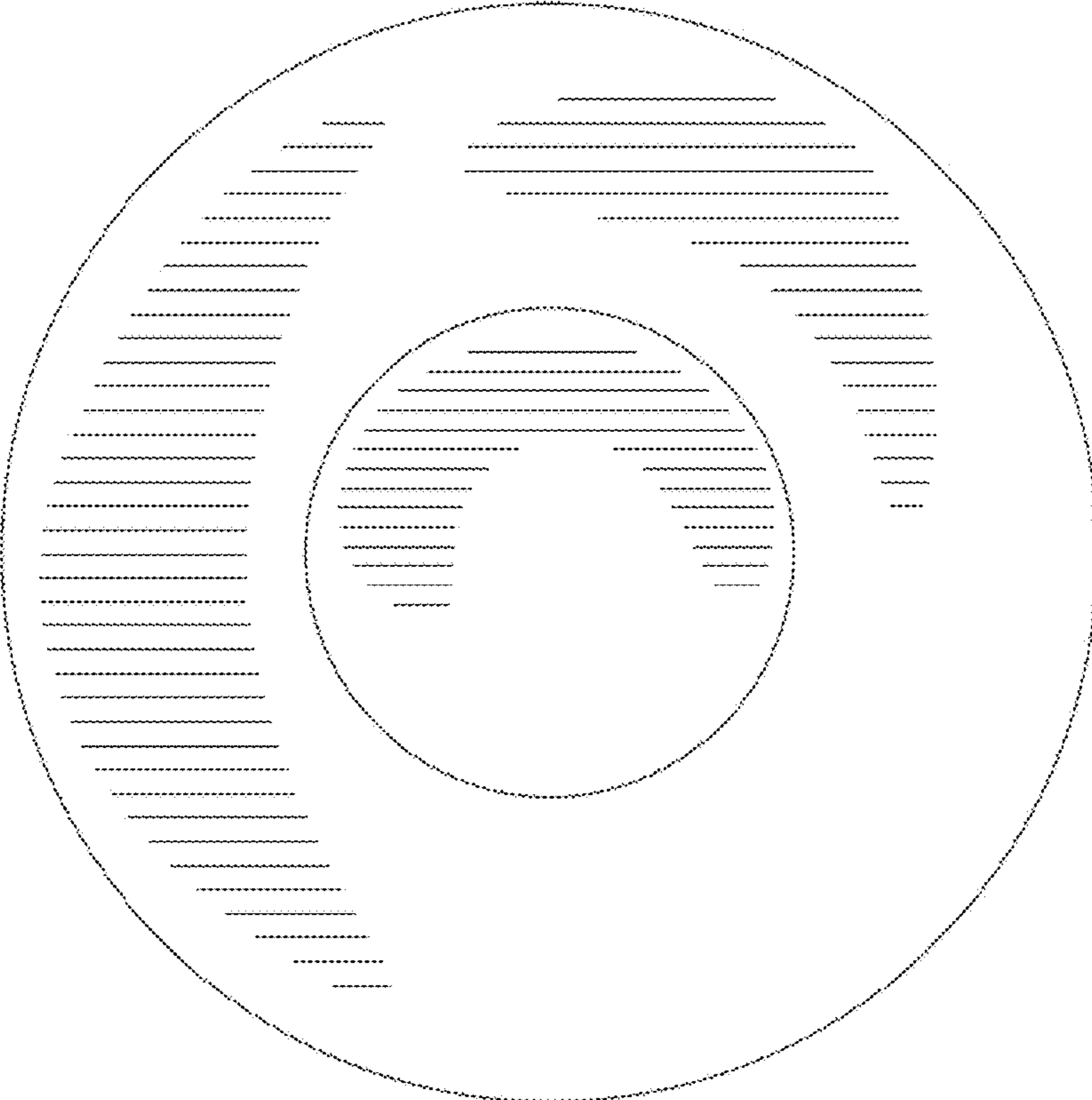


Figure 5

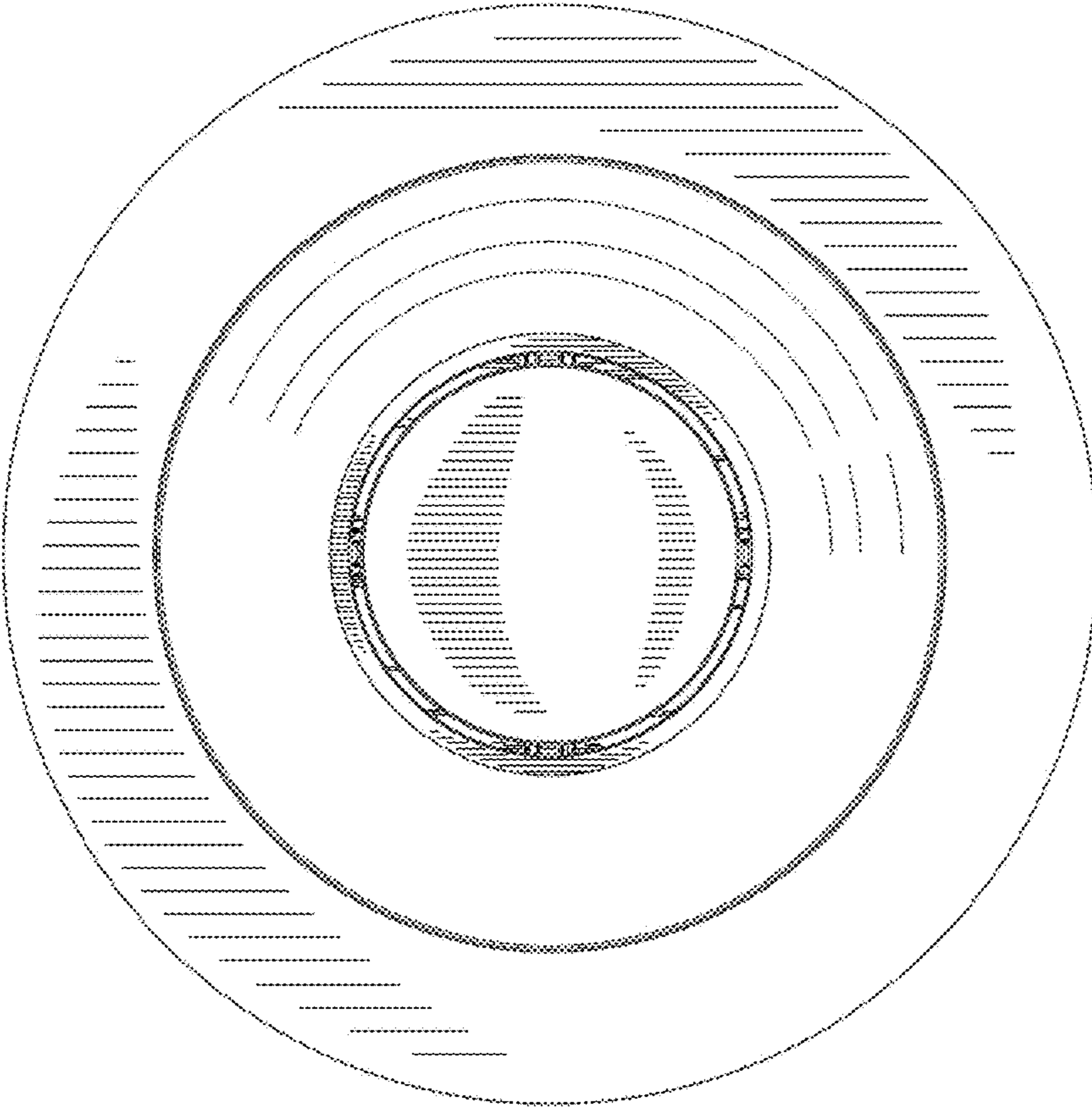


Figure 6

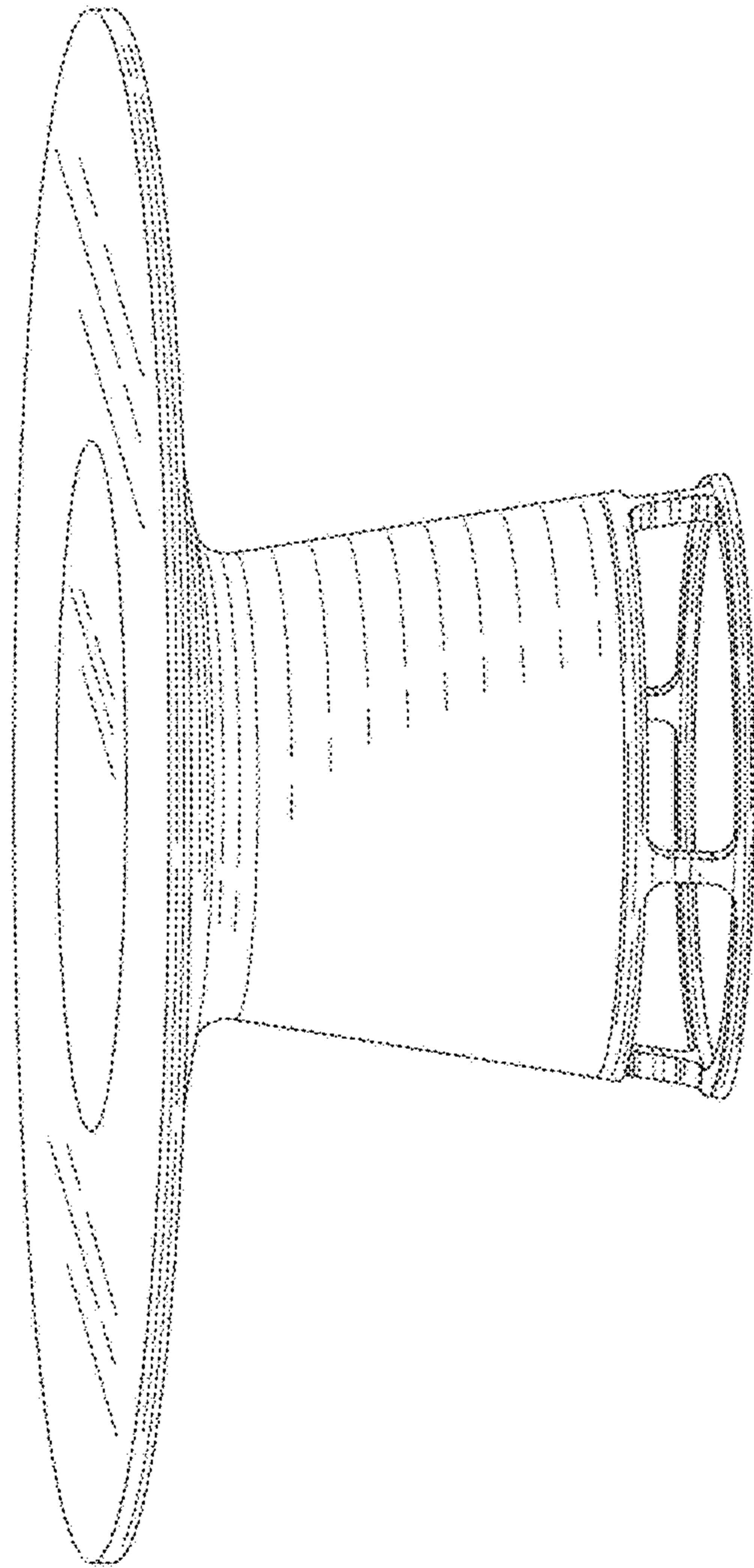


Figure 7