



US00D788504S

(12) **United States Design Patent** (10) **Patent No.:** **US D788,504 S**  
**Lin** (45) **Date of Patent:** **\*\* Jun. 6, 2017**

(54) **COCKTAIL TABLE**  
(71) Applicant: **Zhuhai Shichang Metals Ltd., Zhuahi (CN)**  
(72) Inventor: **Wen-Sheng Lin, Kaohsiung (TW)**  
(73) Assignee: **Zhuhai Shichang Metals Ltd., Zhuhai (CN)**  
(\*\*) Term: **14 Years**  
(21) Appl. No.: **29/525,793**  
(22) Filed: **May 3, 2015**  
(51) **LOC (10) Cl.** ..... **06-04**  
(52) **U.S. Cl.**  
USPC ..... **D6/692**  
(58) **Field of Classification Search**  
USPC ..... D6/641, 685, 692, 692.4, 708.16;  
108/115, 118, 121, 128, 156, 157.1,  
108/159.12; 248/188, 188.1  
CPC .... A47B 3/00; A47B 3/02; A47B 3/08; A47B  
23/001  
See application file for complete search history.

(56) **References Cited**  
**U.S. PATENT DOCUMENTS**  
1,946,620 A 2/1934 Hallawell  
2,162,672 A 6/1939 Johannsen  
3,072,451 A 1/1963 Greenberg et al.  
3,285,205 A \* 11/1966 Loebner ..... A47B 3/02  
108/119  
3,345,959 A \* 10/1967 Linstead ..... A47B 3/02  
108/119  
3,420,571 A 1/1969 Moore  
3,565,019 A \* 2/1971 Bedol ..... A47B 3/02  
108/120  
4,705,250 A \* 11/1987 Eastman ..... A47B 3/02  
248/164  
5,465,673 A \* 11/1995 Ma ..... A47B 3/02  
108/118  
D388,638 S \* 1/1998 Ludlam ..... D6/692

D431,938 S \* 10/2000 Lewis ..... D6/349  
6,508,184 B1 \* 1/2003 Winter ..... A47B 13/021  
108/125  
6,575,103 B1 \* 6/2003 Holdredge ..... A47B 97/08  
108/118  
D480,580 S \* 10/2003 Buono ..... D6/692.4  
D511,913 S \* 11/2005 Kearl ..... D6/686  
7,059,254 B2 6/2006 Strong et al.  
D738,147 S \* 9/2015 Lin ..... D6/692  
D742,147 S \* 11/2015 Lin ..... D6/692  
D747,904 S \* 1/2016 Haynes ..... D6/692  
2003/0010262 A1 \* 1/2003 Liu ..... A47B 3/02  
108/157.18  
2003/0172855 A1 \* 9/2003 Wen ..... A47B 13/02  
108/125  
2005/0120922 A1 6/2005 Brooks  
2007/0101911 A1 \* 5/2007 Lo ..... A47B 3/02  
108/174  
2007/0221104 A1 \* 9/2007 Tseng ..... A47B 3/02  
108/118

(Continued)

*Primary Examiner* — John Windmuller  
*Assistant Examiner* — Steven Czyz  
(74) *Attorney, Agent, or Firm* — Luedeka Neely Group  
PC

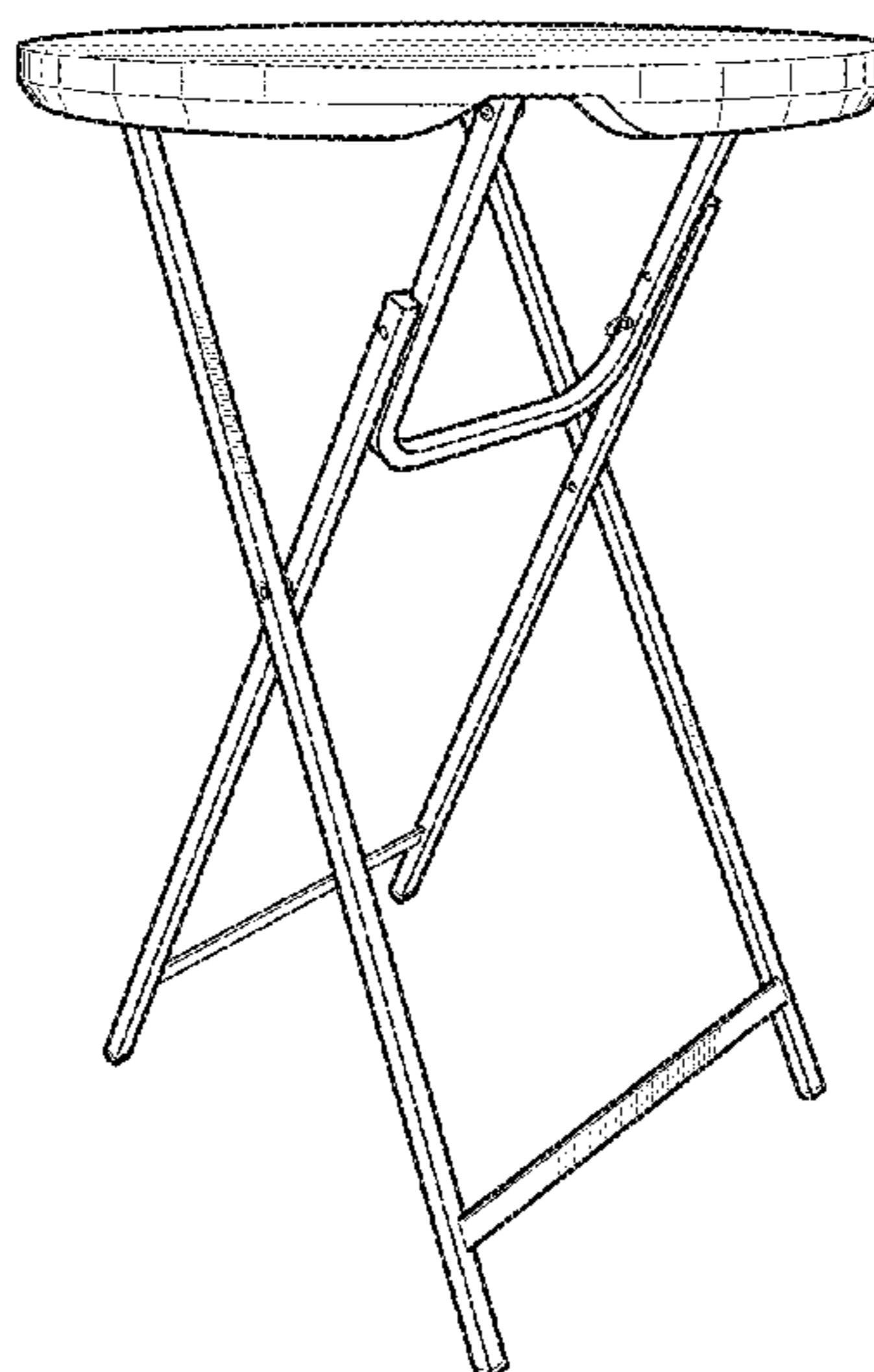
(57) **CLAIM**

The ornamental design of a cocktail table, as shown and described.

**DESCRIPTION**

FIG. 1 is a top perspective view of cocktail table;  
FIG. 2 is a left side elevation view of the cocktail table;  
FIG. 3 is a right side elevation view of the cocktail table;  
FIG. 4 is a front elevation view of the cocktail table;  
FIG. 5 is a rear elevation view of the cocktail table;  
FIG. 6 is a top plan view of the cocktail table;  
FIG. 7 is a bottom plan view of the cocktail table; and,  
FIG. 8 is a bottom perspective view of the cocktail table.

**1 Claim, 5 Drawing Sheets**



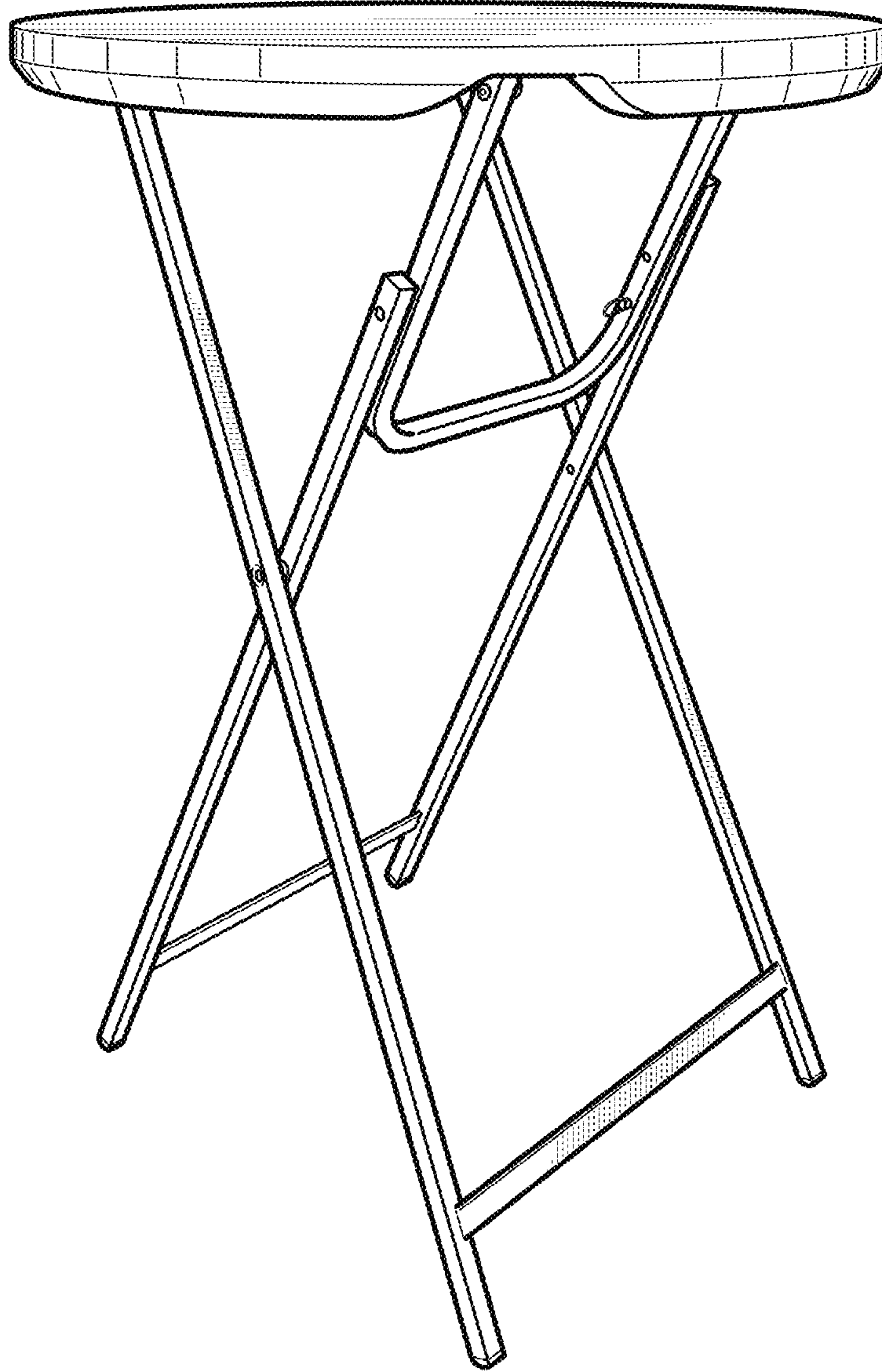
(56)

**References Cited**

U.S. PATENT DOCUMENTS

2008/0078893 A1\* 4/2008 Chianale ..... A47B 3/002  
248/129  
2010/0186640 A1\* 7/2010 Leng ..... A47B 3/02  
108/119  
2013/0180438 A1\* 7/2013 Nye ..... A47B 3/08  
108/91  
2016/0066684 A1\* 3/2016 Leng ..... A47B 3/0916  
108/166

\* cited by examiner



**FIG. 1**

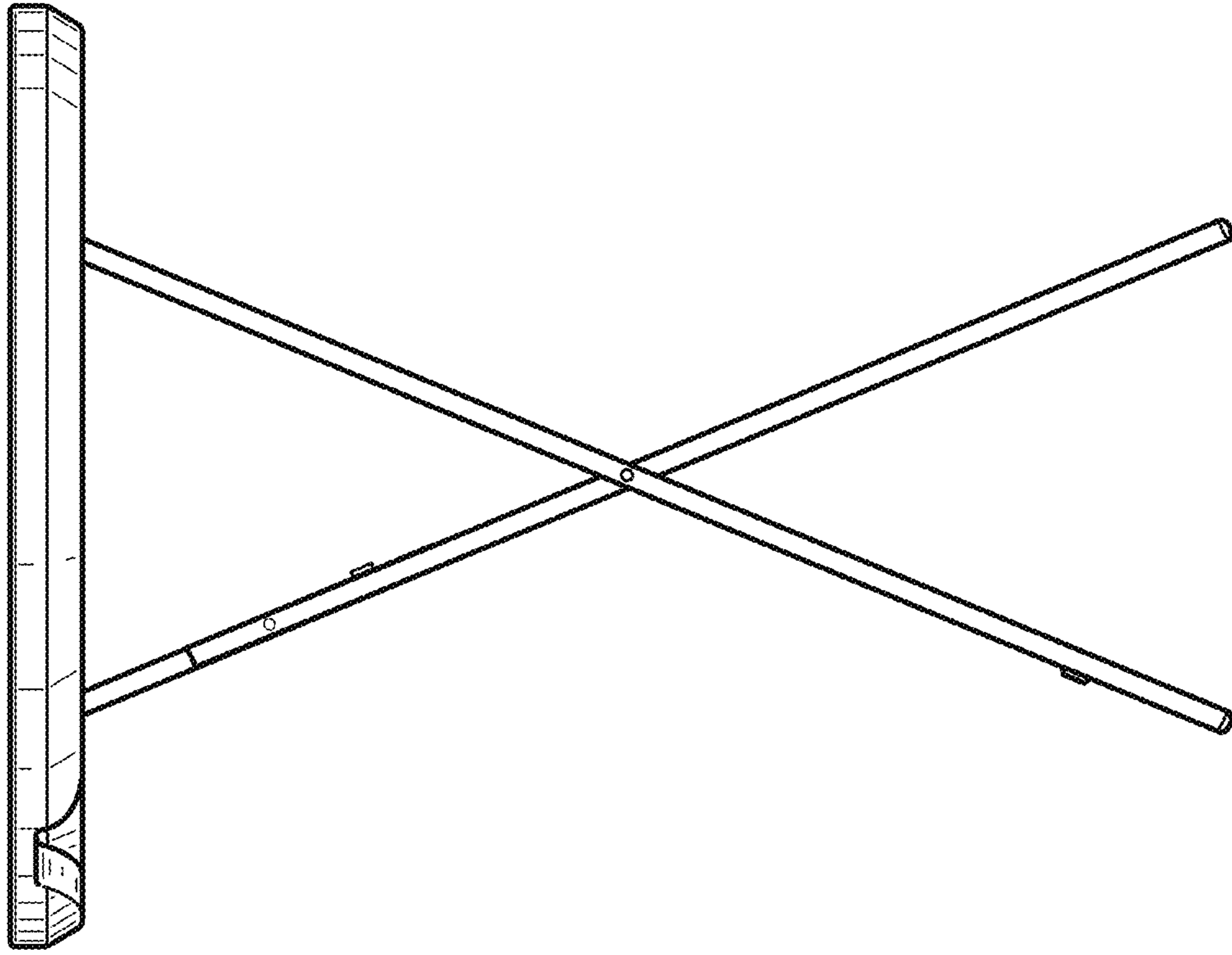


FIG. 3

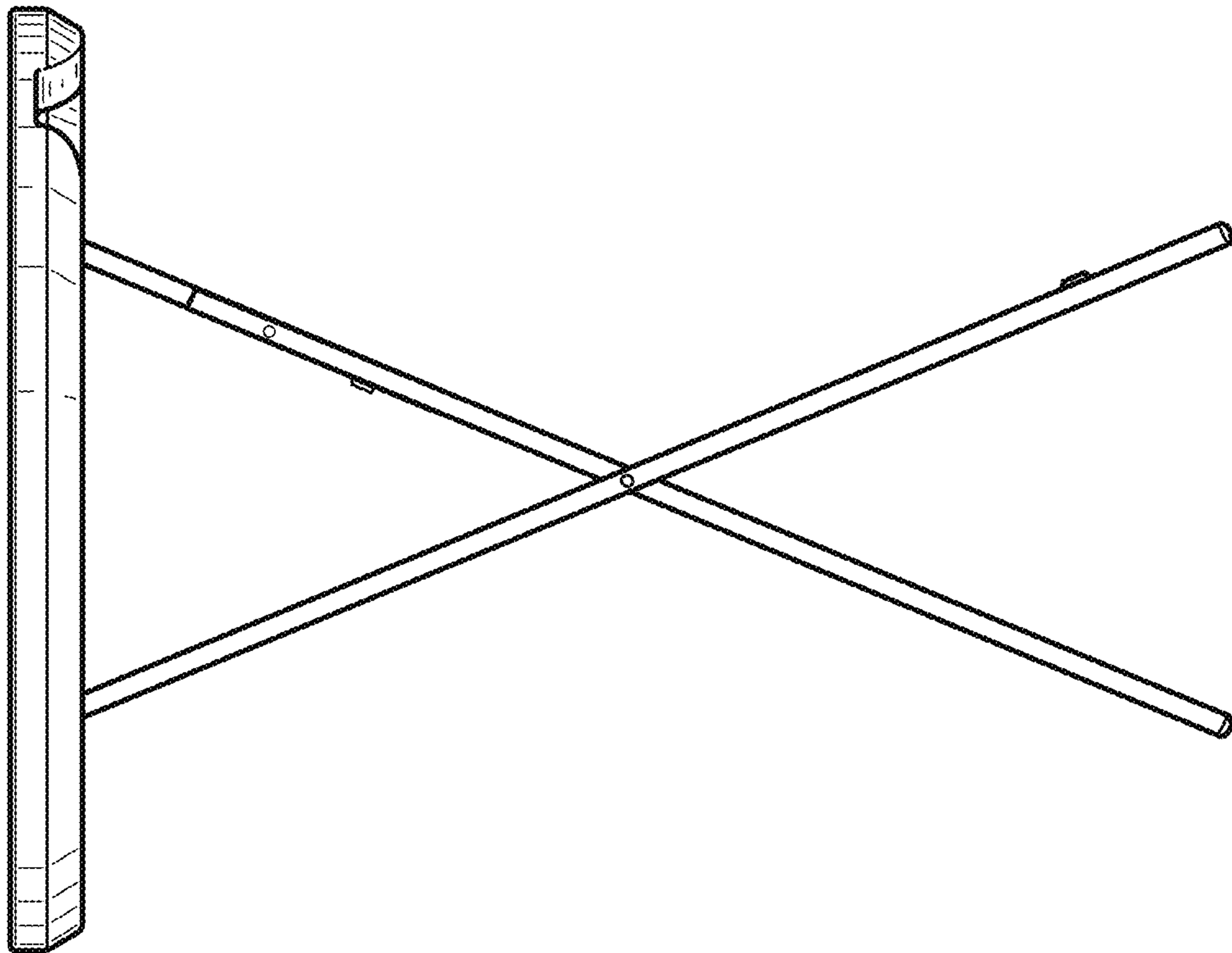


FIG. 2

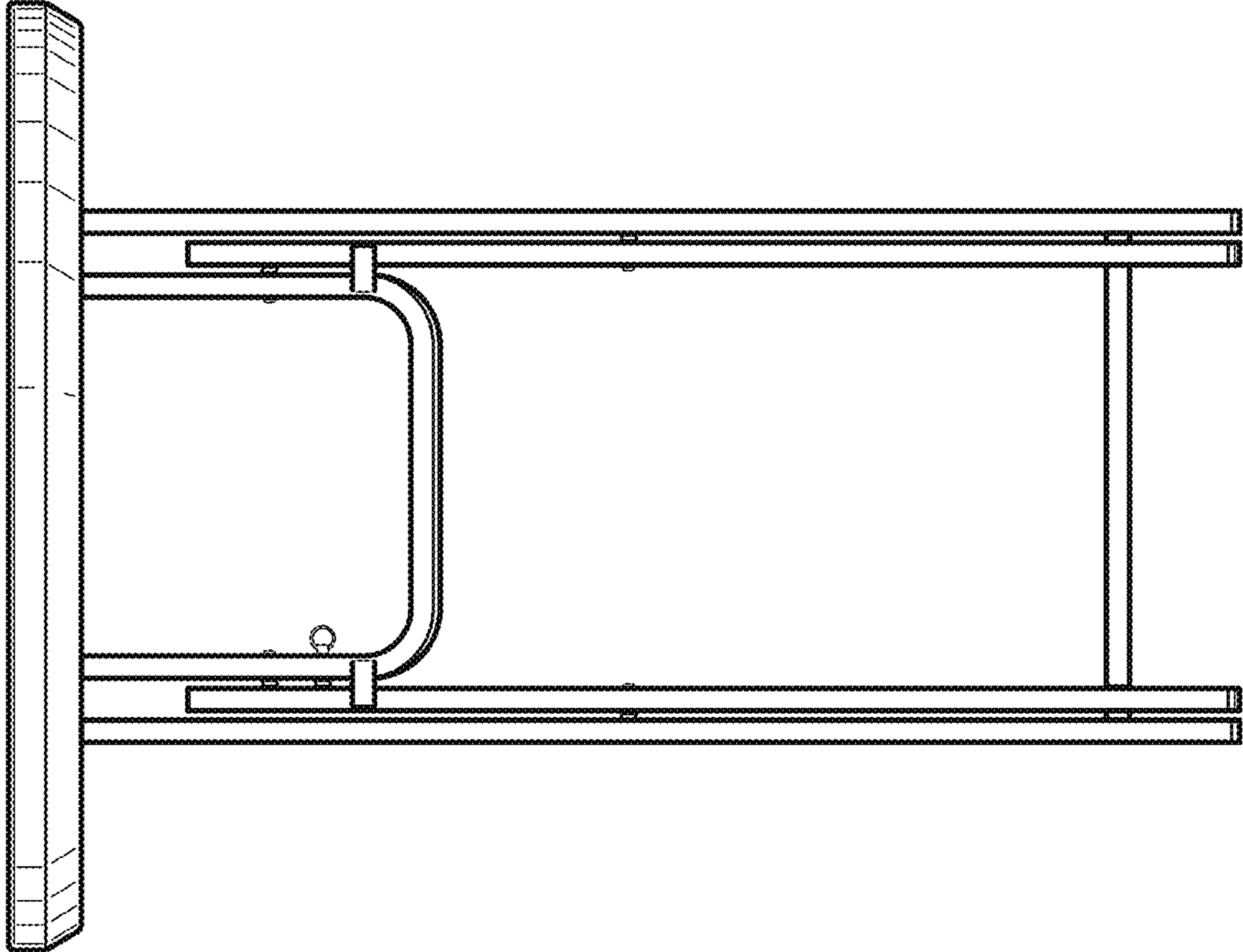


FIG. 5

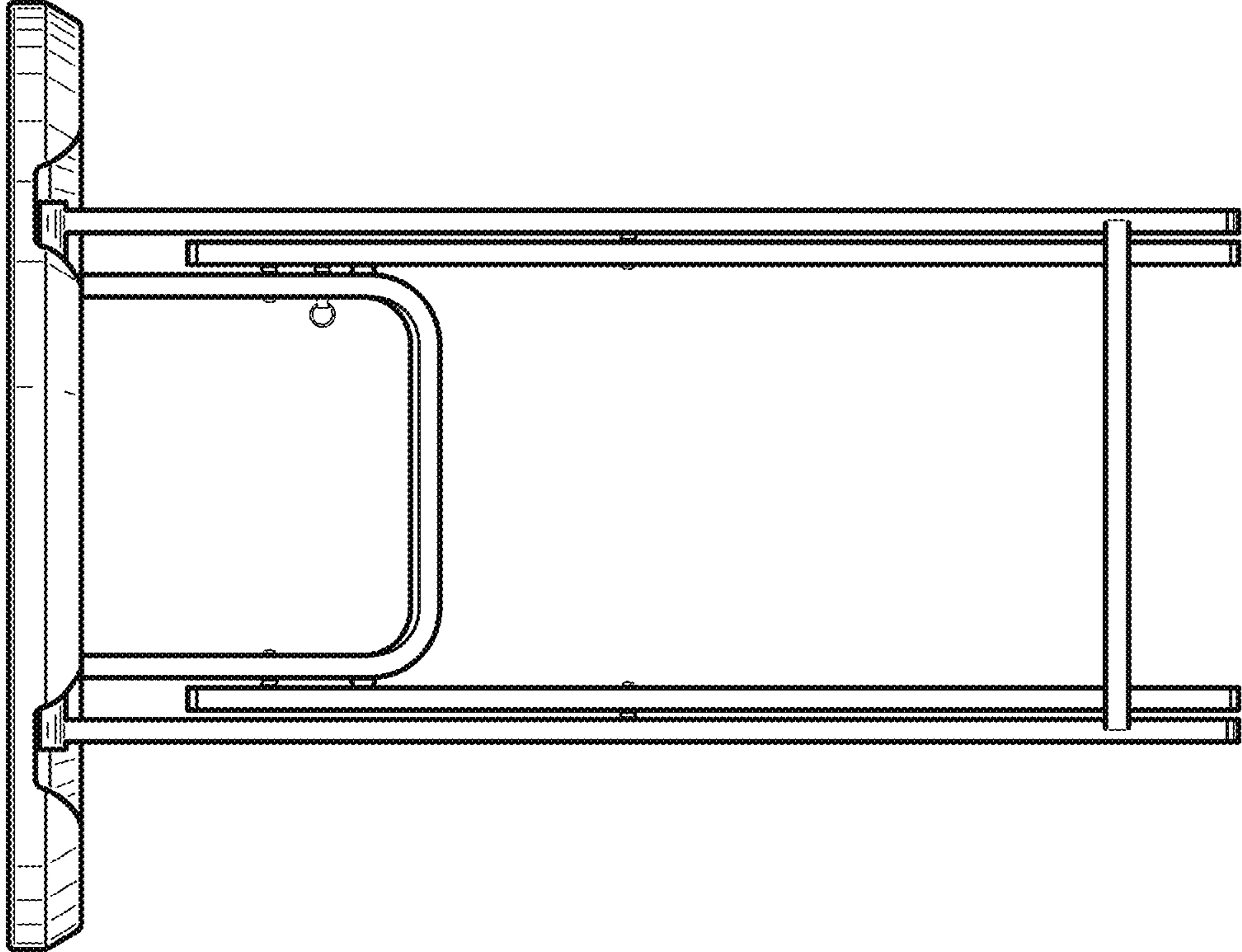
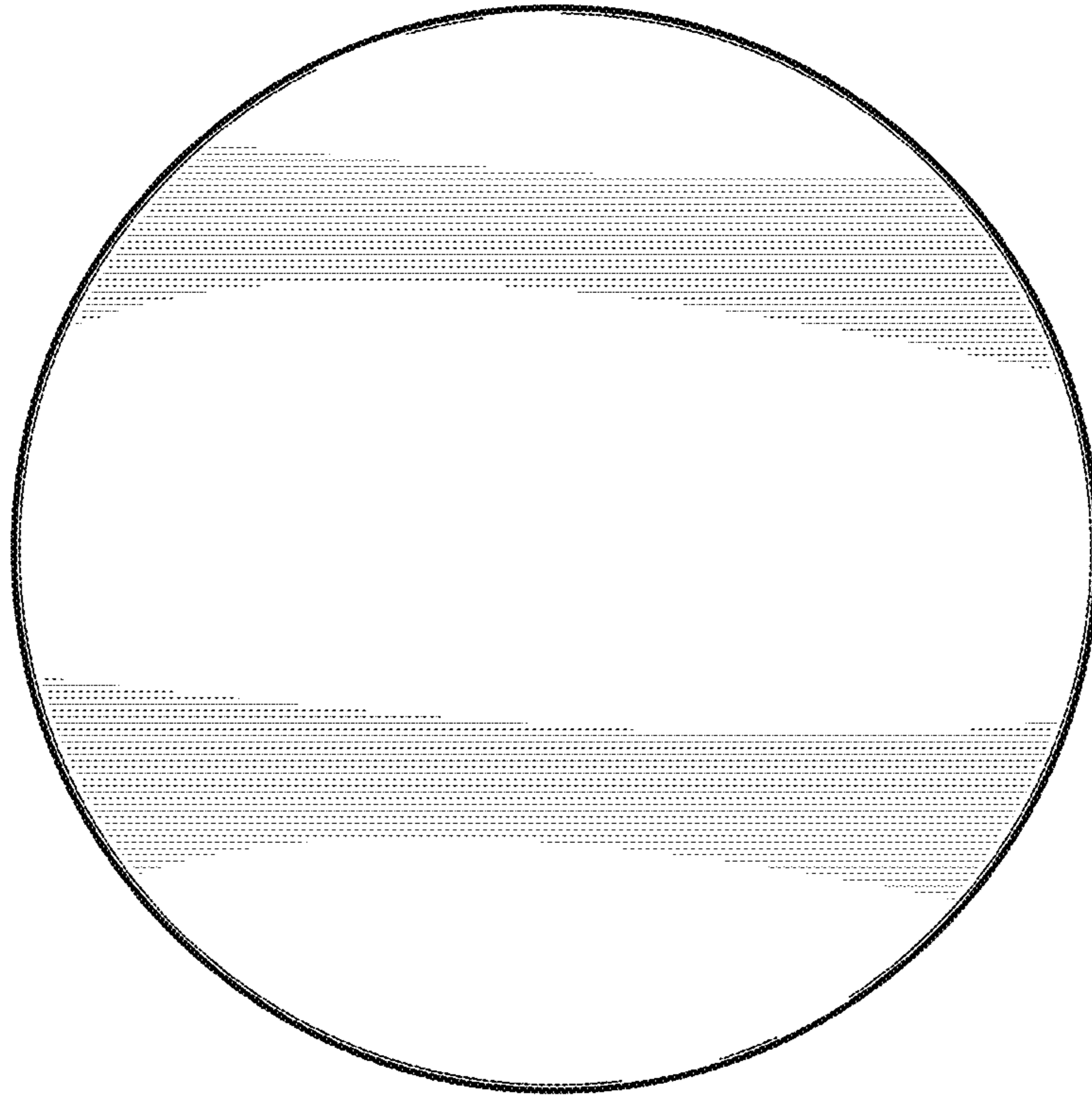
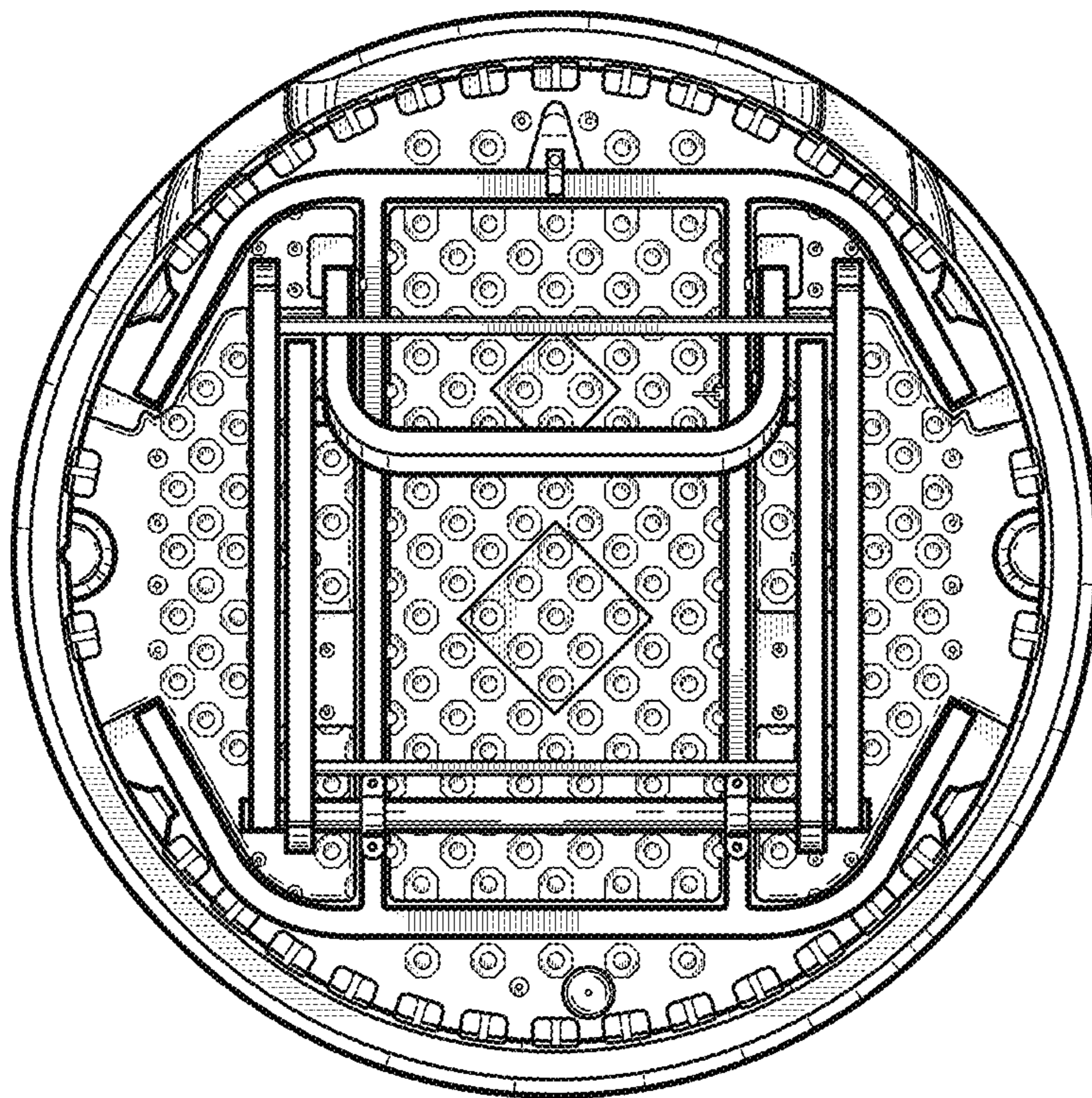


FIG. 4



**FIG. 6**



**FIG. 7**

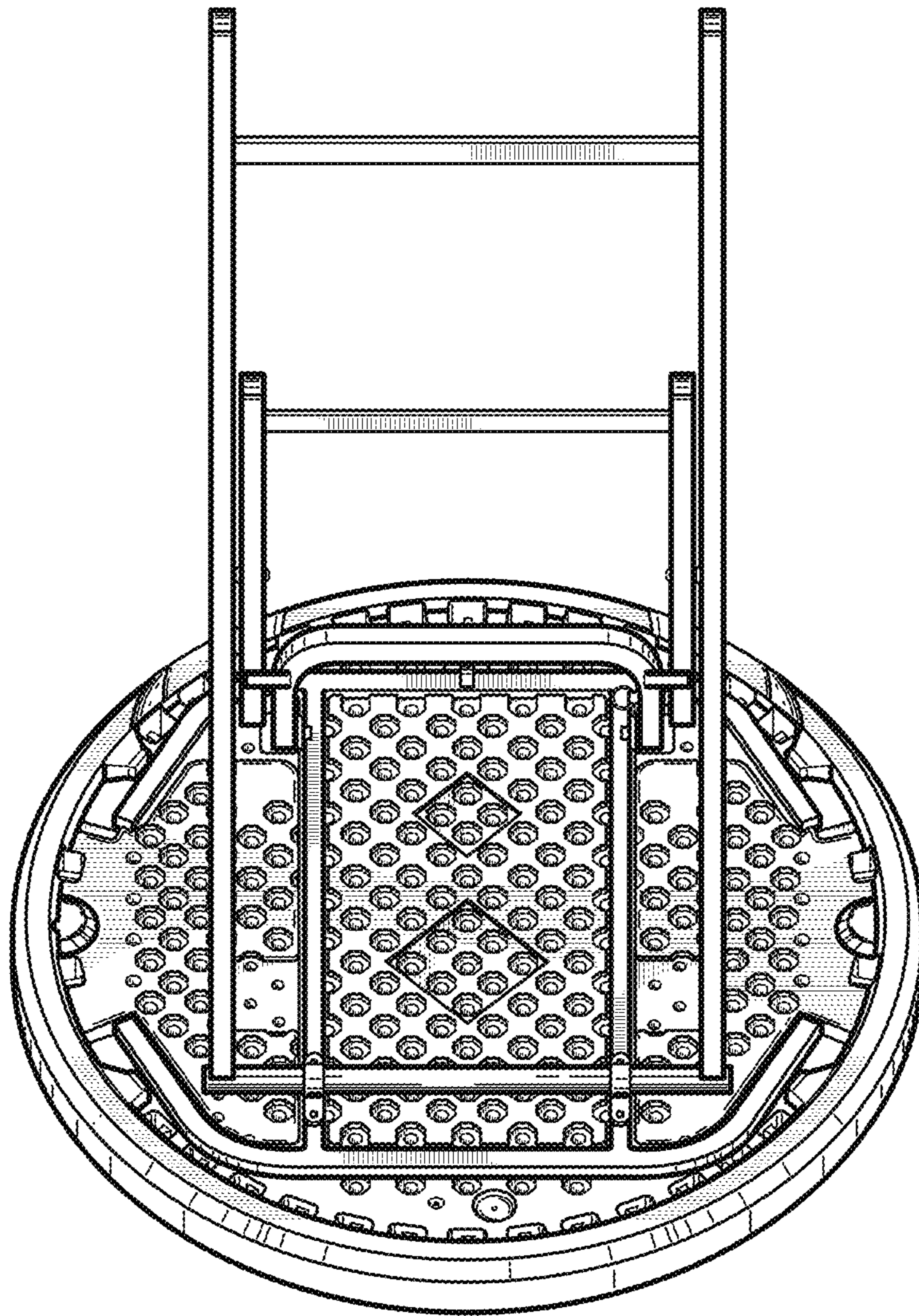


FIG. 8