



US00D788502S

(12) **United States Design Patent**  
**Cope**

(10) **Patent No.:** **US D788,502 S**

(45) **Date of Patent:** **\*\* Jun. 6, 2017**

(54) **TABLE**

(71) Applicant: **Richard Bradley Cope**, Oviedo, FL  
(US)

(72) Inventor: **Richard Bradley Cope**, Oviedo, FL  
(US)

(\*\*) Term: **14 Years**

(21) Appl. No.: **29/502,287**

(22) Filed: **Sep. 12, 2014**

(51) **LOC (10) Cl.** ..... **06-03**

(52) **U.S. Cl.**  
USPC ..... **D6/688.1**

(58) **Field of Classification Search**

USPC ... D6/349, 351, 641, 649, 650, 656, 656.11,  
D6/656.13, 656.15, 678, 685, 686, 688,  
D6/688.1, 688.24, 688.26, 688.27, 691,  
D6/691.1, 691.5, 692, 692.3, 695, 696,  
D6/696.1, 696.2, 696.3, 705, 708, 708.1,  
D6/708.11, 708.13, 709, 709.1, 709.11,  
D6/709.13, 645, 697, 406.3, 406.4, 406.5,  
D6/406.6; D21/769

CPC ..... A47B 1/00; A47B 1/08; A47B 2003/0821;  
A47B 7/00; A47B 9/00; A47B 9/04;  
A47B 9/10; A47B 9/12; A47B 9/16;  
A47B 13/00; A47B 2013/026; A47B  
13/023; A47B 13/04; A47B 13/06; A47B  
19/06; A47B 21/02; A47B 21/0314; A47B  
2021/03

See application file for complete search history.

(56) **References Cited**

**U.S. PATENT DOCUMENTS**

D360,546 S \* 7/1995 Gibson ..... D6/688.1  
D527,781 S \* 9/2006 Walden ..... D21/769

D577,514 S \* 9/2008 Dimauro ..... D6/688.1  
D637,251 S \* 5/2011 Bradley ..... D21/769  
8,002,126 B1 \* 8/2011 Drum ..... A01K 97/08  
211/195  
D686,682 S \* 7/2013 Wilbur ..... D21/769

**OTHER PUBLICATIONS**

'5 Ft to 8 Ft. Surfboard Coffee Table Sofa Table Couch Table'.  
etsy.com [online]. Jun. 27, 2016 [retrieved Jul. 27, 2016]. Retrieved  
from the Internet: <URL: <https://www.etsy.com/listing/265828003/5-ft-to-8-ft-surfboard-coffee-table-sofa-table-couch-table?ref=market>>.\*

'Surfboard coffee table'. etsy.com [online]. Apr. 7, 2014 [retrieved  
Jul. 27, 2016]. Retrieved from the Internet: <URL: <https://www.etsy.com/listing/249980142/surfboard-coffee-table-wood-surfboard?ref=market>>.\*

\* cited by examiner

*Primary Examiner* — Mary Ann Calabrese

(57) **CLAIM**

The ornamental design for a table, as shown and described.

**DESCRIPTION**

FIG. 1 is a perspective view of a table showing my new design;

FIG. 2 is a top plan view thereof;

FIG. 3 is a right side elevational view thereof, the left side is a mirror image;

FIG. 4 is a bottom perspective view thereof;

FIG. 5 is a rear elevational view thereof; and,

FIG. 6 is a front elevational view.

**1 Claim, 3 Drawing Sheets**

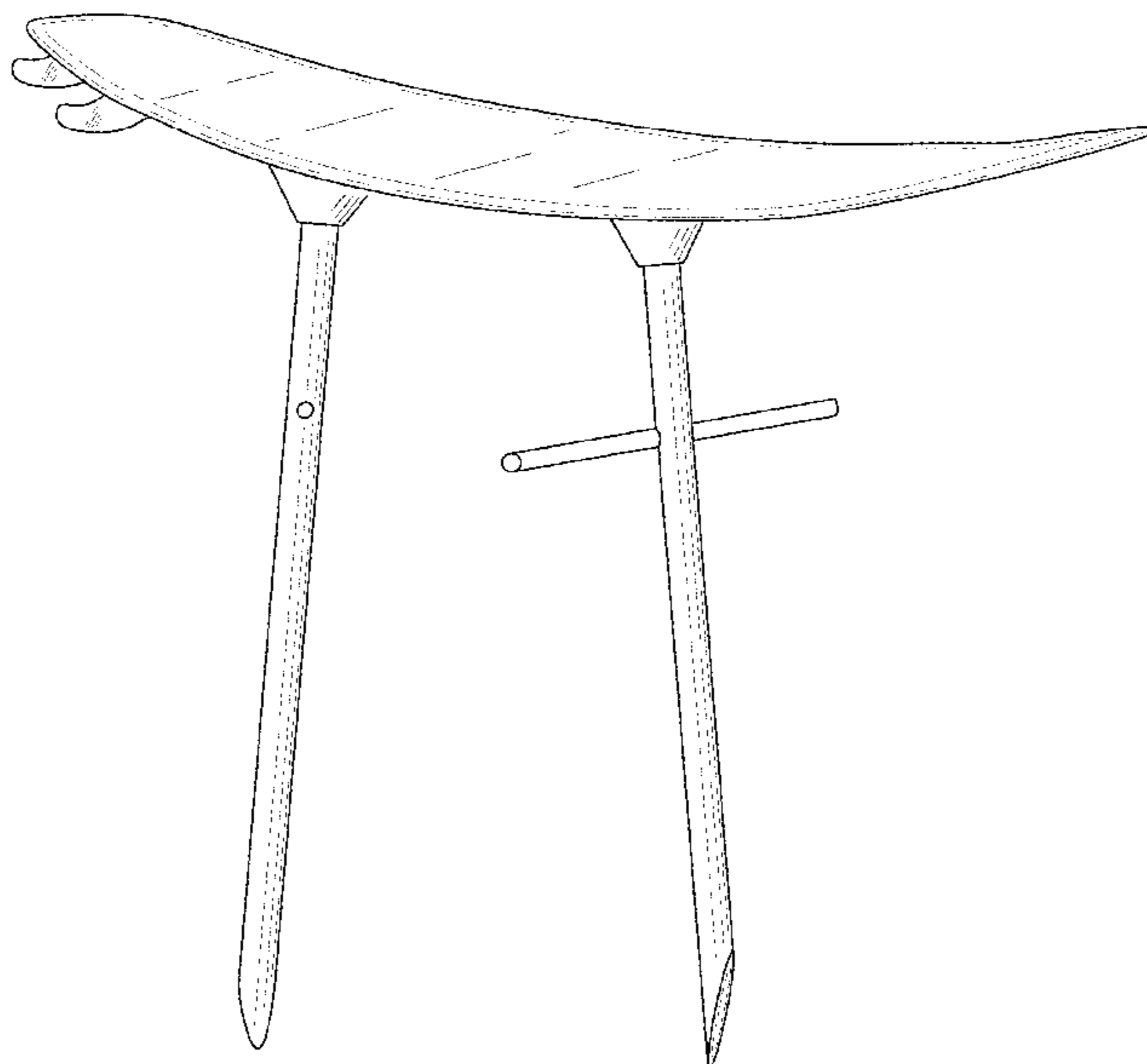




Fig.1

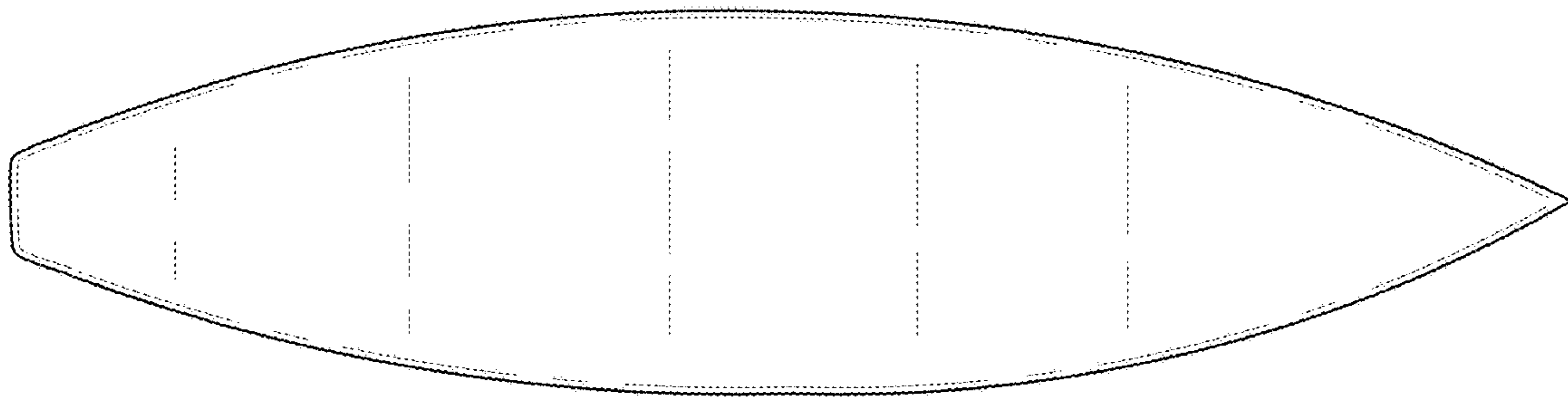


Fig.2

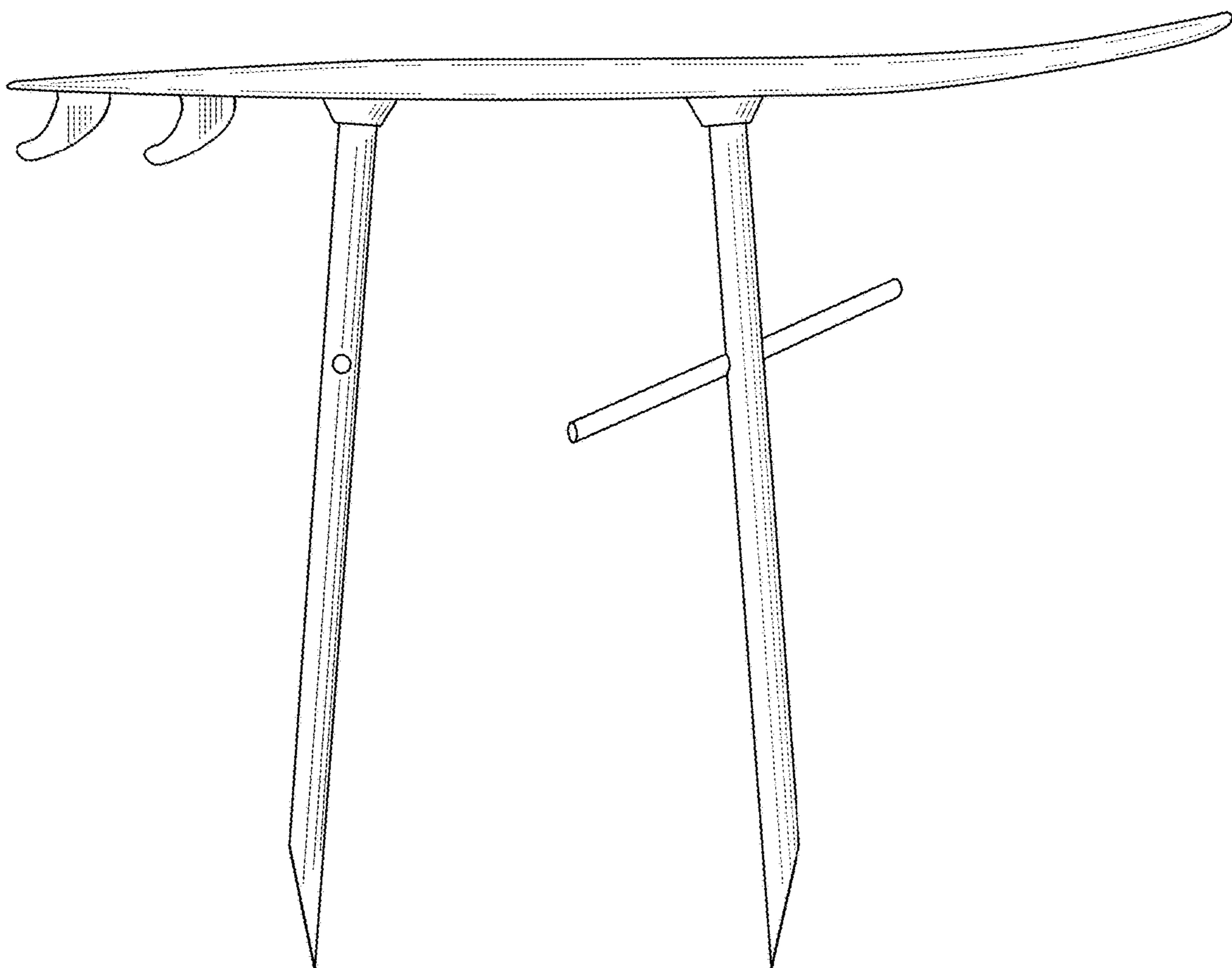


Fig.3

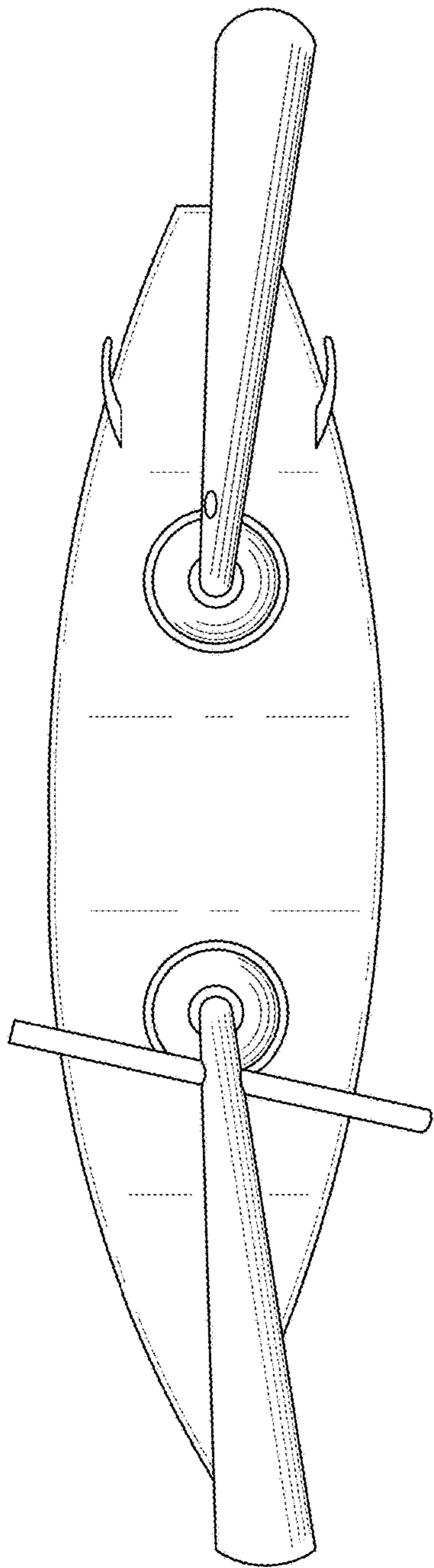


Fig. 4

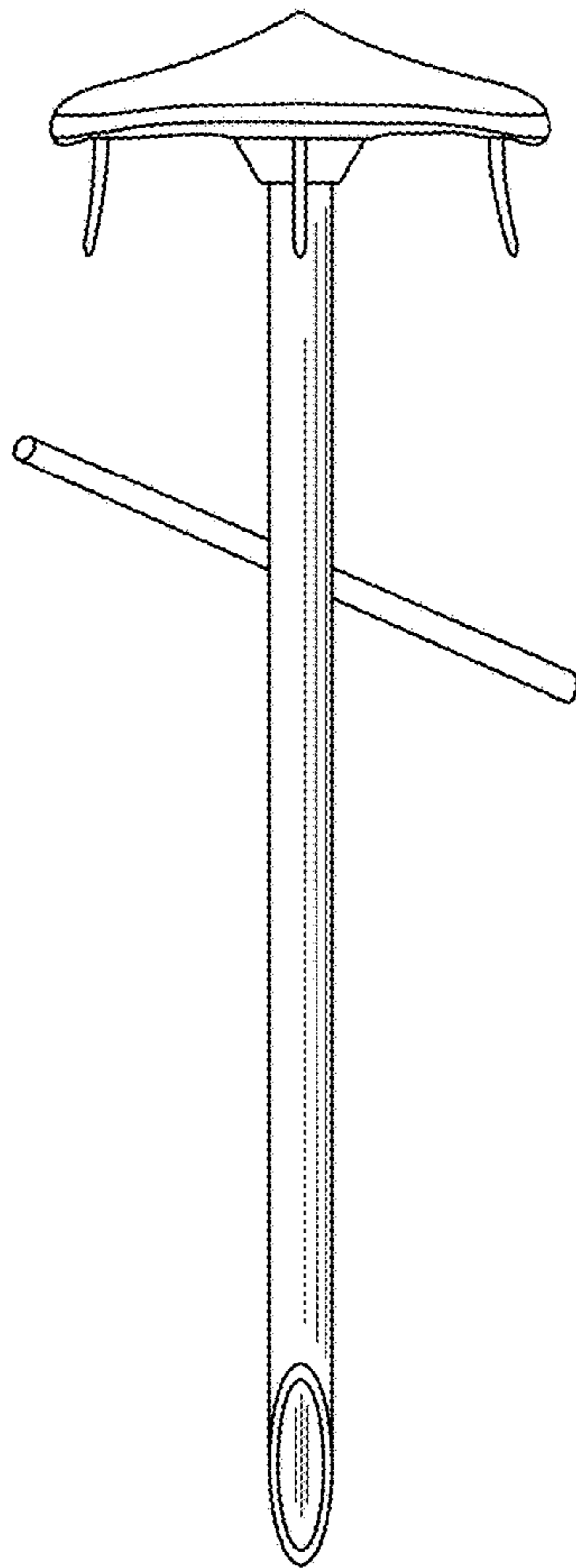


Fig. 5

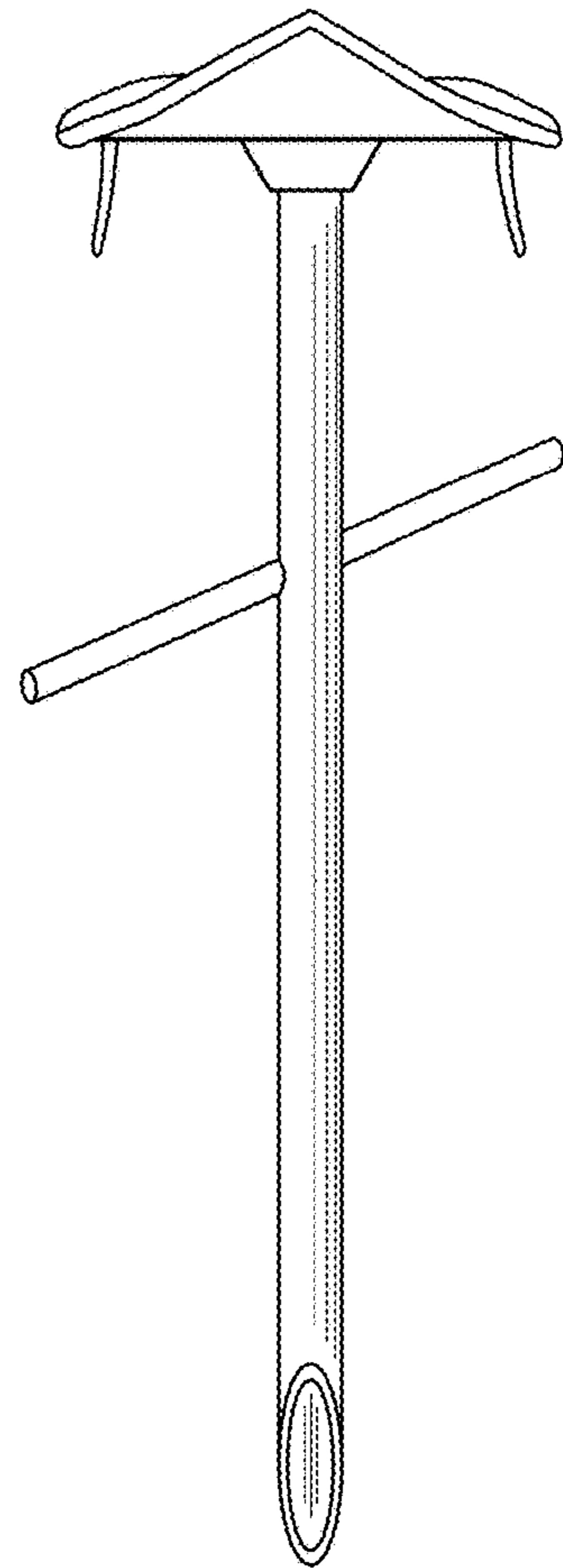


Fig. 6