



US00D788498S

(12) **United States Design Patent** (10) **Patent No.:** **US D788,498 S**
Schmitt (45) **Date of Patent:** **** Jun. 6, 2017**

(54) **CHINA CABINET/BUFFET**
(71) Applicant: **Jack Schmitt**, Mission Viejo, CA (US)
(72) Inventor: **Jack Schmitt**, Mission Viejo, CA (US)
(73) Assignee: **AMINI INNOVATION CORPORATION**, Pico Rivera, CA (US)
(**) Term: **15 Years**
(21) Appl. No.: **29/546,341**
(22) Filed: **Nov. 20, 2015**
(51) **LOC (10) Cl.** **06-04**
(52) **U.S. Cl.**
USPC **D6/661.3; D6/660**
(58) **Field of Classification Search**
USPC D6/660, 661, 661.3, 665, 668, 668.1, D6/668.2, 669
CPC . A47F 3/00; A47F 3/005; A47F 3/063; A47B 17/04; A47B 67/00; A47B 67/005; A47B 67/04; A47B 88/00; A47B 88/40
See application file for complete search history.

D367,570 S 3/1996 Walters et al.
D371,256 S 7/1996 Paus
D371,688 S 7/1996 Keller
D371,693 S 7/1996 Paus
D372,139 S 7/1996 Walters, III et al.
D373,263 S 9/1996 Keller
D373,491 S 9/1996 Walters et al.
D384,515 S 10/1997 Bergelin
D384,516 S 10/1997 Harris
D384,523 S 10/1997 Bergelin
D386,628 S 11/1997 O'Hare
D389,654 S 1/1998 Walters, III et al.
D390,043 S 2/1998 Walters, III et al.
D390,719 S 2/1998 Walters, III et al.
D400,731 S 11/1998 Kasuli
D401,441 S 11/1998 De Blaay
D401,448 S 11/1998 Hazen et al.

(Continued)

OTHER PUBLICATIONS

Ethan Allen Circular, Legacy Collection China Cabinet and Buffet, p. 5, 1996.

(Continued)

Primary Examiner — Mimosa De
(74) *Attorney, Agent, or Firm* — Cislo & Thomas, LLP

(57) **CLAIM**

I claim the ornamental design for a China cabinet/buffet, as shown and described.

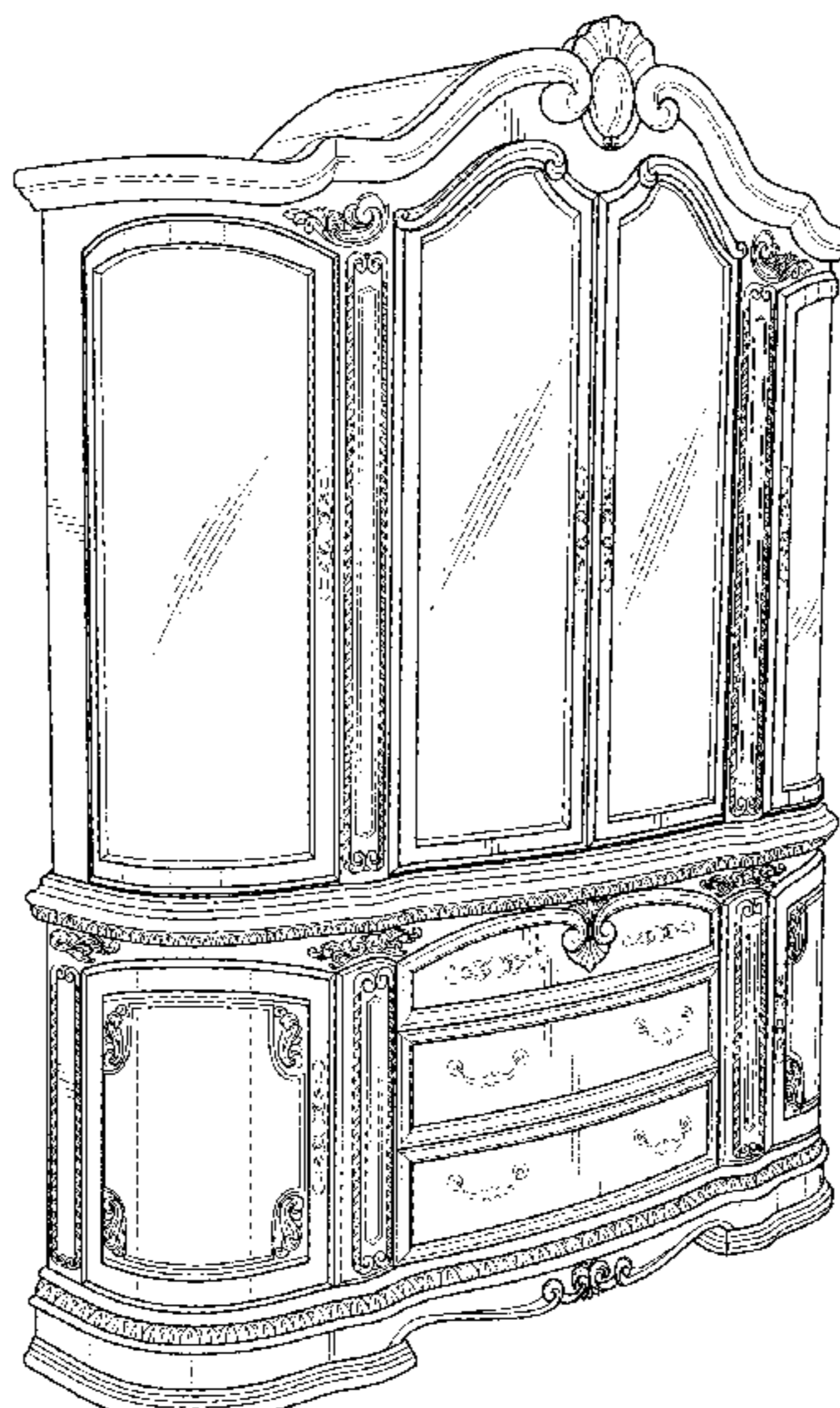
DESCRIPTION

FIG. 1 is a perspective view of my China cabinet/buffet; FIG. 2 is a front view thereof; and FIG. 3 is a right side view, the left side (not shown) is a mirror image thereof; and, FIG. 4 is a top view of my China cabinet/buffet. The broken lines are for environmental purposes only and form no part of the claimed design.

1 Claim, 4 Drawing Sheets

(56) **References Cited**
U.S. PATENT DOCUMENTS

D63,762 S 1/1924 Welch
D90,111 S 6/1933 Ginsberg
D224,926 S 10/1972 Adkinson
D227,842 S 7/1973 Adkinson
D227,843 S 7/1973 Adkinson
D242,678 S 12/1976 Adkinson
D242,679 S 12/1976 Adkinson
D255,072 S * 5/1980 Adkinson D6/660
D257,197 S * 10/1980 Sanchez D6/660
D320,318 S 10/1991 Pauer et al.
D343,306 S 1/1994 Keller
D357,598 S 4/1995 Keller
D358,046 S 5/1995 Ferguson
D363,839 S 11/1995 Paus



(56)

References Cited

U.S. PATENT DOCUMENTS

D425,329 S * 5/2000 O'Hare D6/665
 D426,980 S 6/2000 Vaaler
 D430,751 S 9/2000 Cain
 D431,391 S 10/2000 Hazen et al.
 D434,249 S 11/2000 Cain
 D441,214 S 5/2001 Cain
 D441,219 S 5/2001 Cain
 D445,279 S 7/2001 O'Hare et al.
 D445,601 S 7/2001 O'Hare et al.
 D447,886 S 9/2001 O'Hare et al.
 D448,205 S 9/2001 O'Hare et al.
 D448,949 S 10/2001 O'Hare et al.
 D450,476 S 11/2001 Vaaler
 D451,303 S 12/2001 Lee
 D454,728 S 3/2002 Vaaler
 D454,729 S 3/2002 Vaaler
 D458,051 S 6/2002 O'Hare et al.
 D460,293 S * 7/2002 Vaaler D6/668.2
 D461,068 S * 8/2002 Stanton D6/660
 D461,655 S 8/2002 Stanton
 D465,354 S 11/2002 Cain
 D468,937 S 1/2003 Berry, Jr. et al.
 D469,624 S 2/2003 Vaaler
 D469,631 S 2/2003 Vaaler
 D469,986 S 2/2003 Stanton
 D474,054 S 5/2003 Warren et al.
 D475,868 S 6/2003 Vaaler
 D477,725 S 7/2003 McDaniel et al.
 D480,236 S 10/2003 Schmitt
 D480,898 S 10/2003 Schmitt
 D481,555 S 11/2003 Schmitt
 D482,907 S 12/2003 Wanek et al.
 D487,202 S 3/2004 Schmitt
 D487,203 S 3/2004 Schmitt
 D499,277 S 12/2004 O'Hare
 D502,339 S 3/2005 O'Hare
 D502,340 S 3/2005 Juneau et al.
 D507,896 S 8/2005 DeGiulio
 D510,212 S * 10/2005 Schmitt D6/660
 D511,425 S 11/2005 Katz et al.
 D513,907 S 1/2006 O'Hare
 D518,978 S 4/2006 Katz et al.
 D524,575 S 7/2006 Everson et al.
 D525,458 S * 7/2006 Domack D6/660
 D527,206 S 8/2006 Domack et al.
 D527,546 S 9/2006 Mohundro
 D527,547 S 9/2006 Domack et al.
 D527,548 S 9/2006 Schmitt
 D528,325 S 9/2006 Schmitt
 D528,826 S 9/2006 Schmitt

D529,310 S 10/2006 Schmitt
 D530,116 S 10/2006 Schmitt
 D530,537 S 10/2006 Schmitt
 D531,427 S 11/2006 Schmitt
 D532,997 S 12/2006 Schmitt
 D549,008 S 8/2007 Domack et al.
 D557,040 S 12/2007 Domack et al.
 D560,081 S 1/2008 Thompson
 D564,259 S 3/2008 Hasset, Jr.
 D564,783 S 3/2008 Schmitt
 D564,784 S 3/2008 Schmitt
 D564,795 S 3/2008 Schmitt
 D565,325 S 4/2008 Schmitt
 D586,586 S 2/2009 Schmitt
 D586,587 S 2/2009 Schmitt
 D592,890 S 5/2009 Schmitt
 D595,064 S 6/2009 Thompson
 D599,139 S 9/2009 Schmitt
 D608,121 S 1/2010 Schmitt
 D623,444 S 9/2010 Schmitt
 D629,231 S 12/2010 Schmitt
 D644,852 S 9/2011 Schmitt
 D653,054 S 1/2012 Schmitt
 D653,055 S 1/2012 Schmitt
 D653,056 S 1/2012 Schmitt
 D692,697 S 11/2013 Schmitt
 D708,458 S 7/2014 Schmitt
 D711,168 S 8/2014 Litt
 D733,466 S 7/2015 Schmitt

OTHER PUBLICATIONS

Furniture Today, Union City Imports China Hutch, p. 158, Oct. 19, 1998.
 Furniture Today, AICO China Hutch, p. 15, Oct. 16, 2000.
 Furniture Today, Broyhill China Hutch, p. 11, Apr. 16, 2001.
 Furniture Today, Marge Carson Wall Unit, p. 126, Oct. 11, 1999.
 Furniture Today, Pulaski Armoire, p. 33, Apr. 15, 2002.
 Amini Innovation Corp. Monte Carlo Collection, #53000 Series, 2001, 2 pages.
 Amini Innovation Corp. La Francaise Collection, #50000 Series, Sep. 11, 2002, 5 pages.
 Amini Innovation Corp. Royal Oak Collection, #31000 Series, Sep. 11, 2002, 1 page.
 Amini Innovation Corp. Tuscano China Cabinet and Buffet, Sep. 14, 2004, 1 page.
 Amini Innovation Corp. Excelsior China Cabinet and Buffet, Sep. 14, 2004, 1 page.
 Amini Innovation Corp. Trevi Collection, Sep. 20, 2004, 2 pages.

* cited by examiner

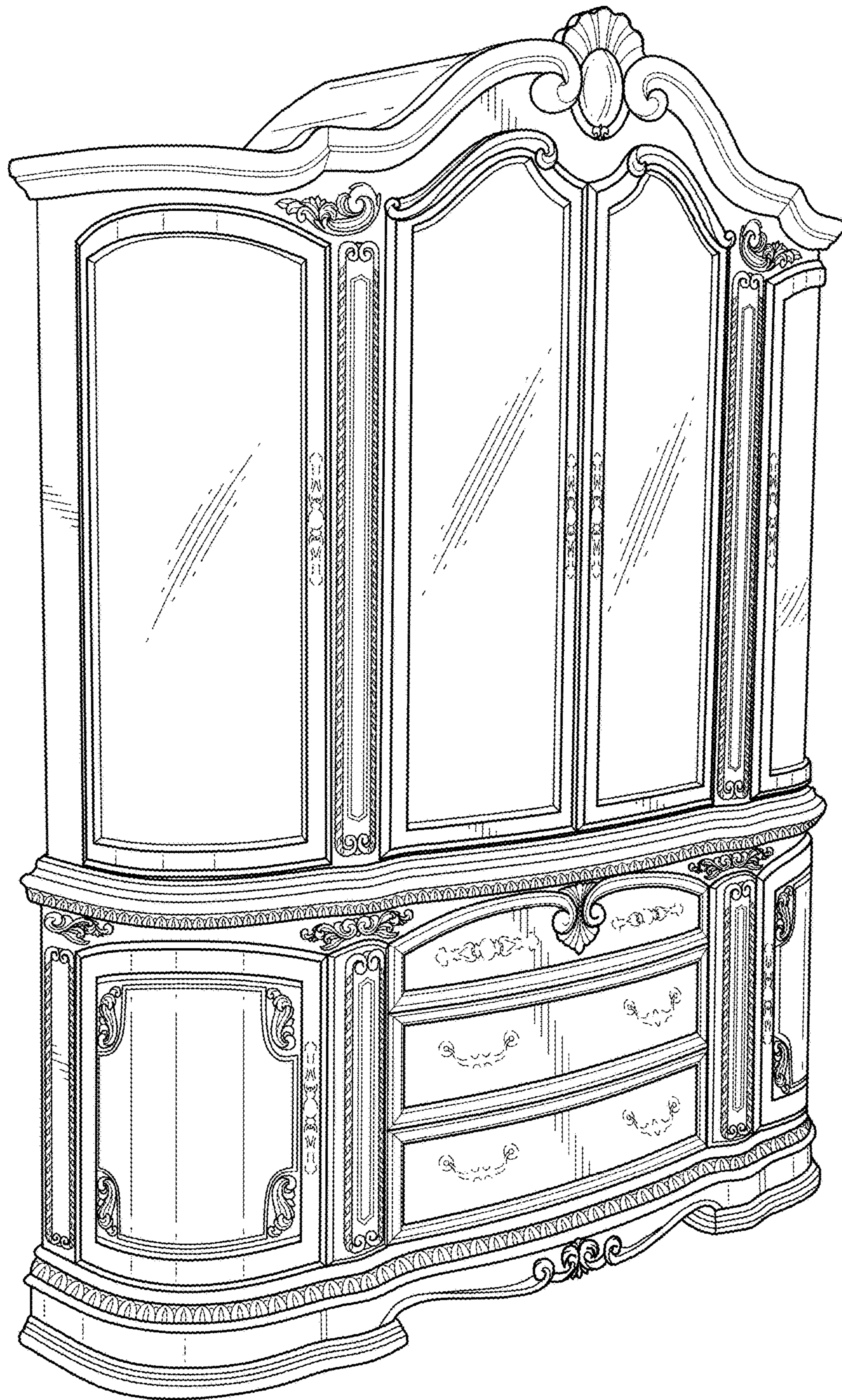


FIG. 1

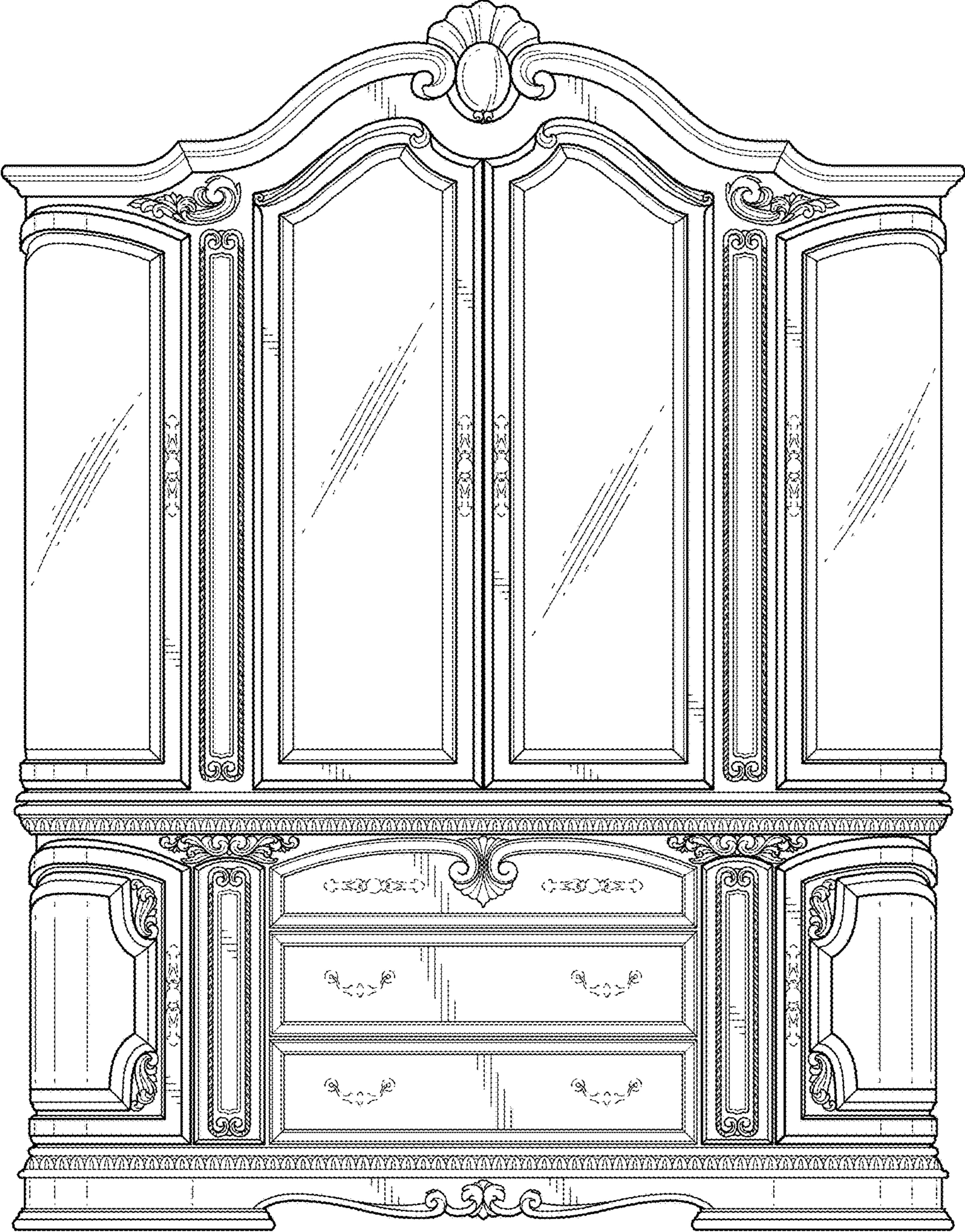


FIG. 2

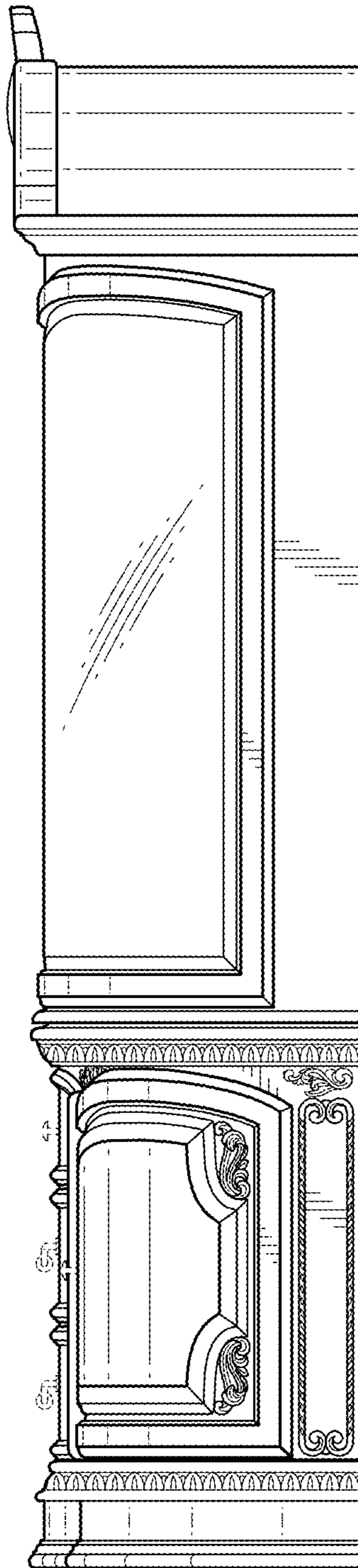


FIG. 3

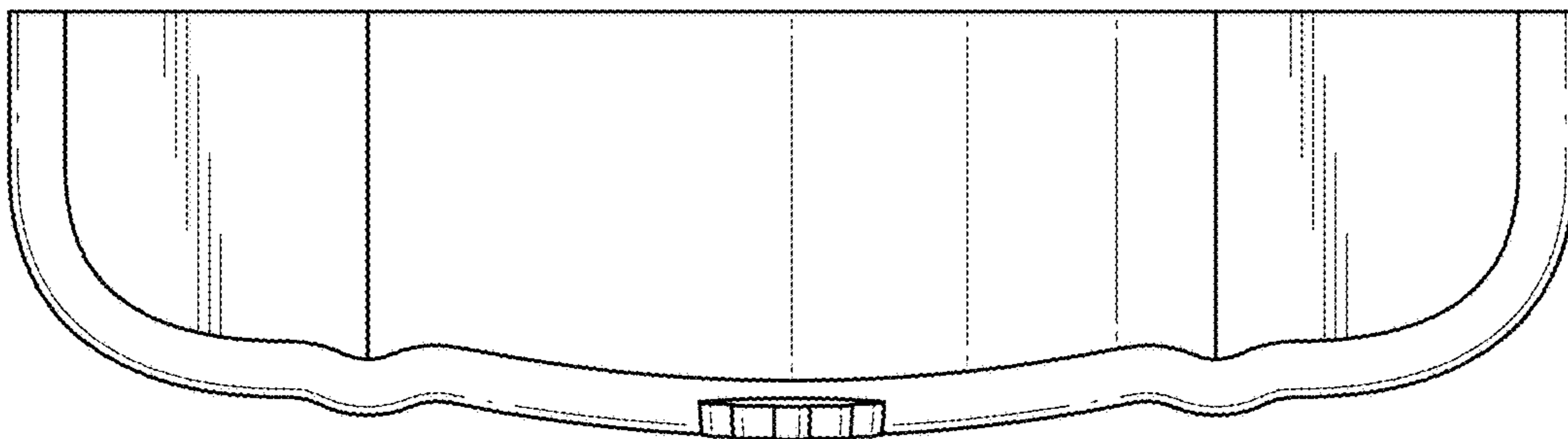


FIG. 4