



US00D788497S

(12) **United States Design Patent**
Yamamoto

(10) **Patent No.:** **US D788,497 S**
(45) **Date of Patent:** **** Jun. 6, 2017**

(54) **DESK**
(71) Applicant: **OKAMURA CORPORATION**,
Yokohama-shi, Kanagawa (JP)
(72) Inventor: **Takayuki Yamamoto**, Yokohama (JP)
(73) Assignee: **Okamura Corporation**, Kanagawa (JP)
(**) Term: **15 Years**

D371,029 S * 6/1996 Pagett D6/707.22
D400,730 S * 11/1998 Brandenburg D6/648.2
D401,776 S * 12/1998 Weng D6/648.4
D501,741 S * 2/2005 Risdall D6/644
D606,341 S * 12/2009 Kitada D6/648
7,934,459 B2 * 5/2011 Frazier A47B 13/088
108/147
8,104,410 B2 * 1/2012 Lanfear A47B 9/20
108/13

(Continued)

(21) Appl. No.: **29/545,100**
(22) Filed: **Nov. 10, 2015**

OTHER PUBLICATIONS

'Hat Hi-Series—Electric Height Adjustable Desk'. vqvgroup.com
[online]. Undated [retrieved Aug 11, 2016]. Retrieved from the
Internet: <URL: <http://www.vqvgroup.com/Height-Adjustable-Table-p/ws120-48483030.htm>>.*

(Continued)

(30) **Foreign Application Priority Data**

May 14, 2015 (JP) 2015-010492

Primary Examiner — Mary Ann Calabrese
(74) *Attorney, Agent, or Firm* — Sughrue Mion, PLLC

(51) **LOC (10) Cl.** **06-03**
(52) **U.S. Cl.**
USPC **D6/648**

(57) **CLAIM**

The ornamental design for a desk, as shown and described.

(58) **Field of Classification Search**
USPC D6/641, 644, 648, 648.2, 648.4, 649,
D6/650, 651, 651.1, 653.21, 654, 654.21,
D6/655, 655.1, 655.14, 655.21, 656,
D6/656.16, 656.17, 672, 675, 675.3, 685,
D6/691, 691.3, 691.5, 691.9, 695, 695.1,
D6/696, 697, 698, 705, 332, 555, 643,
D6/643.1, 707, 707.18, 707.22
CPC A47B 1/08; A47B 7/00; A47B 9/00; A47B
9/06; A47B 9/12; A47B 9/16; A47B 9/20;
A47B 21/00; A47B 21/02; A47B 21/04;
A47B 13/088; A47B 13/10; A47B
21/0314; A47B 2021/0321; A47B
2021/0364; A47B 9/10; A47B 9/14
See application file for complete search history.

DESCRIPTION

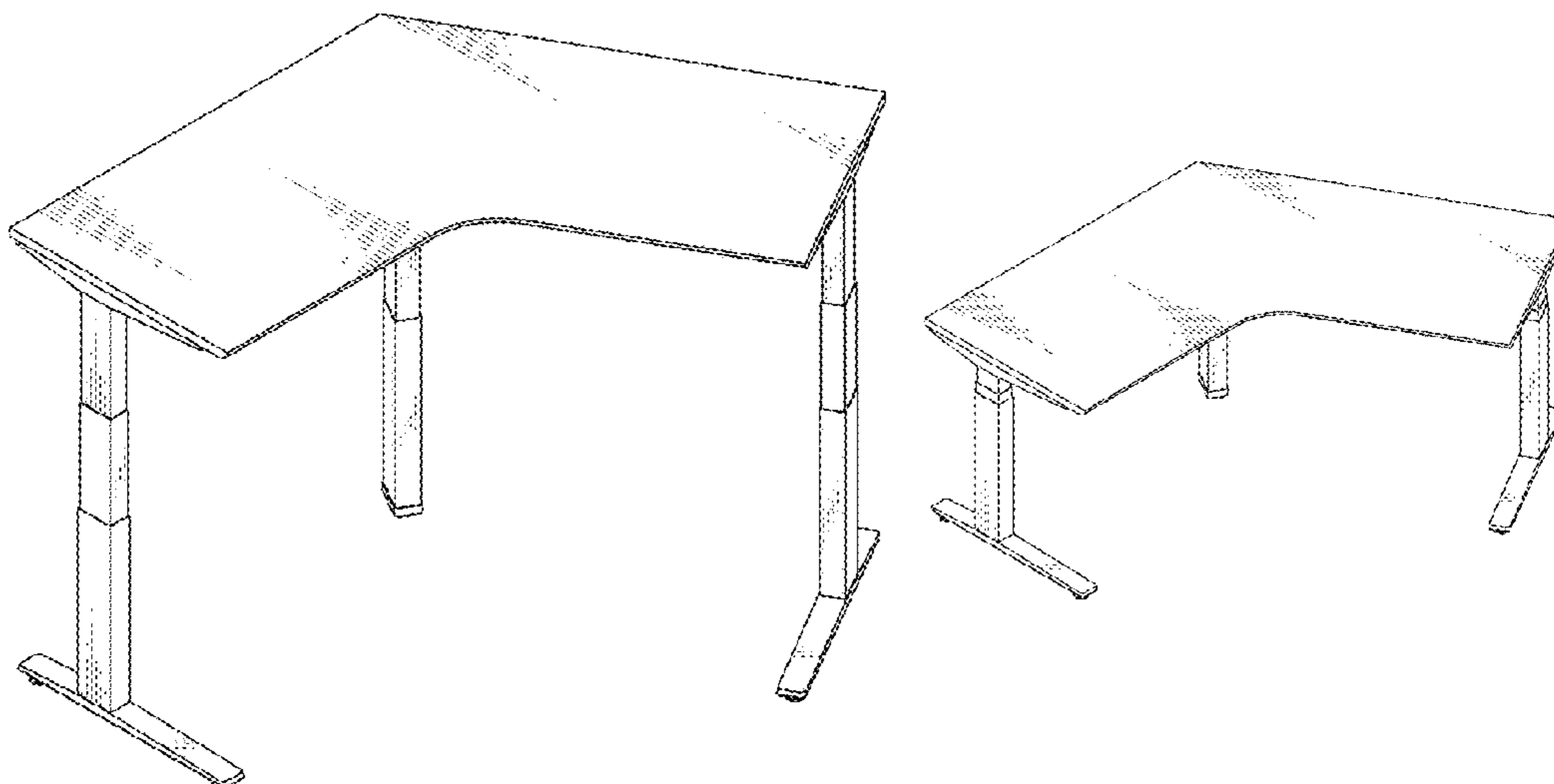
FIG. 1 is a perspective view from the right side of a desk.
FIG. 2 is a perspective view from the left side thereof.
FIG. 3 is a front elevation view thereof.
FIG. 4 is a rear elevation view thereof.
FIG. 5 is a right side elevation view thereof.
FIG. 6 is a left side elevation view thereof.
FIG. 7 is a top plan view thereof.
FIG. 8 is a bottom plan view thereof.
FIG. 9 is a cross-sectional view taken along the line 9-9 in
FIG. 3.
FIG. 10 is a cross-sectional view taken along the line 10-10
in FIG. 3, which omits the internal structure; and,
FIG. 11 is a perspective view with the desktop in an
alternative lowered position.

(56) **References Cited**

U.S. PATENT DOCUMENTS

D220,802 S * 5/1971 Hedges D6/648
D353,279 S * 12/1994 Funk D6/655

1 Claim, 11 Drawing Sheets



(56)

References Cited

U.S. PATENT DOCUMENTS

9,271,567 B2* 3/2016 Wu A47B 3/002
2006/0249060 A1* 11/2006 Waisbrod A47C 1/03
108/137

OTHER PUBLICATIONS

'The Canvas Adjustable Desk'. adjustablesurfaces.com [online]. Undated [retrieved Aug 11, 2016]. Retrieved from the Internet: <URL: <https://www.adjustablesurfaces.com/adjustable-l-shaped-desks/>>.*

'Introducing The Most Versatile Standing Height Adjustable Desk Line'. blog.ergoprise.com [online]. Aug. 22, 2013 [retrieved Aug. 15, 2016]. Retrieved from the Internet: <URL: <http://blog.ergoprise.com/height-adjustable-desk/>>.*

'RightAngle Ergonomic NXTAGS24606024SC Electric Height Adjustable Desk—Elegante XT'. theofficedealer.com [online]. Undated [retrieved Aug. 11, 2016]. Retrieved from the Internet: <URL: <http://www.theofficedealer.com/RAANXTG246060SC-RightAngle-Ergonomic-NXTAGS24606024SC-Electric-Height-Adjustable-Desk-Elegante-XT.html>>.*

'Standing desk to Treadmill desk—an experiment for the new year'. blogs.msdn.microsoft.com [online]. Jan. 2, 2012 [retrieved Aug. 11, 2016]. Retrieved from the Internet: <URL: <https://blogs.msdn.microsoft.com/betsya/2012/01/02/standing-desk-to-treadmill-desk-an-experiment-for-the-new-year/>>.*

'Workrite Sierra Crank Equal Corner 3 Legs'. ergodirect.com [online]. Undated [retrieved Aug. 11, 2016]. Retrieved from the Internet: <URL: http://www.ergodirect.com/product_info.php?products_id=16069>.*

* cited by examiner

FIG. 1

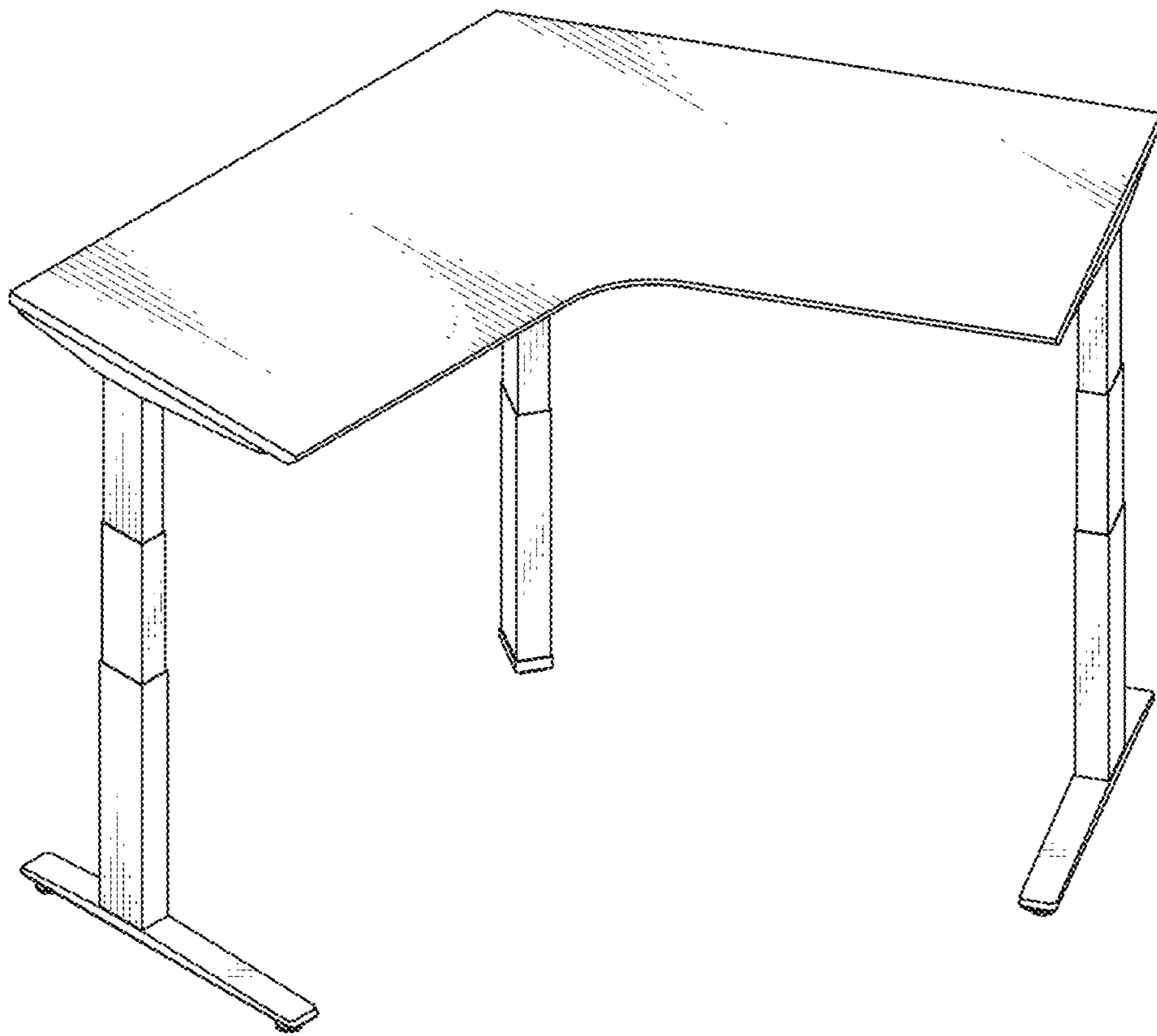


FIG. 2

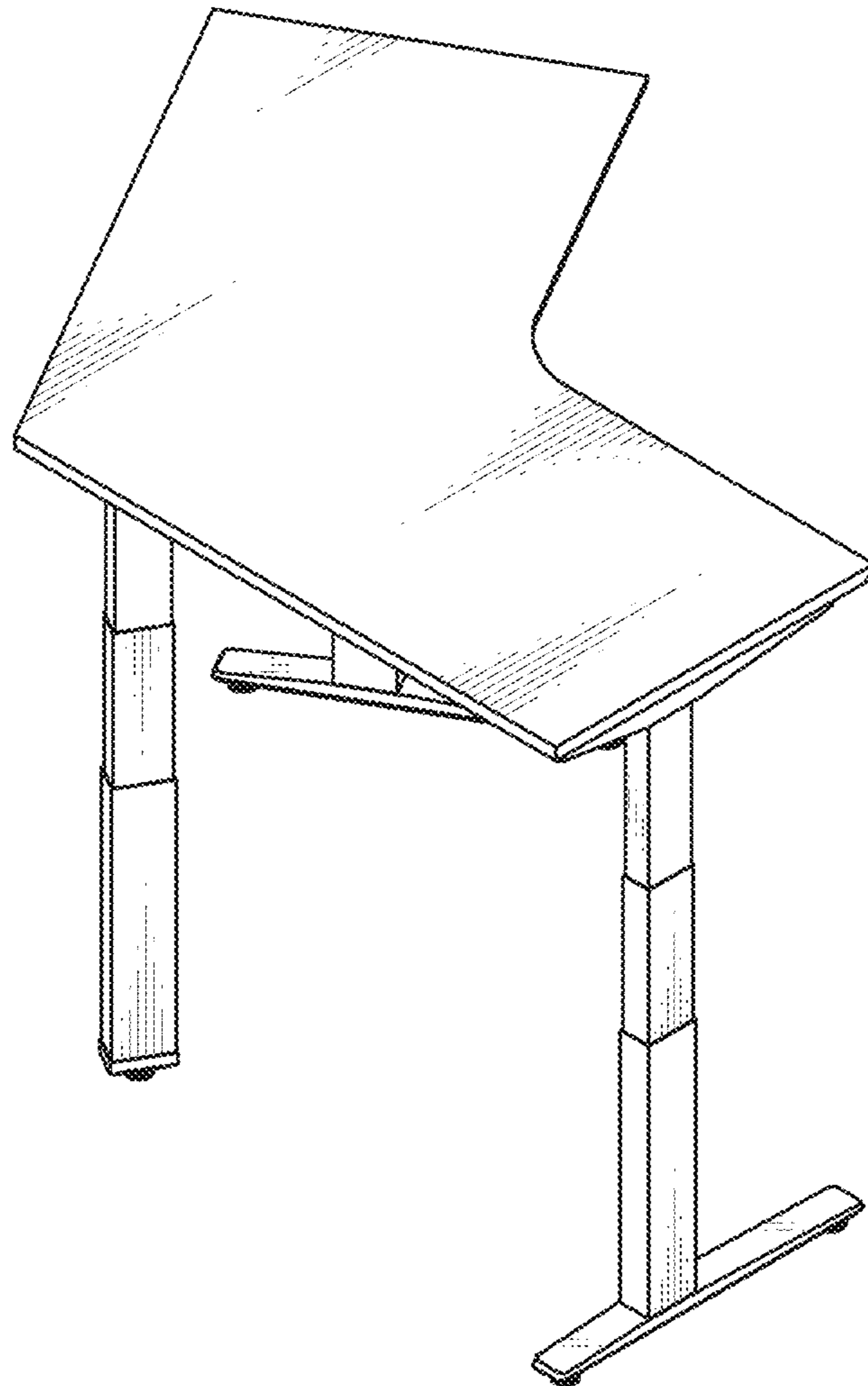


FIG. 3

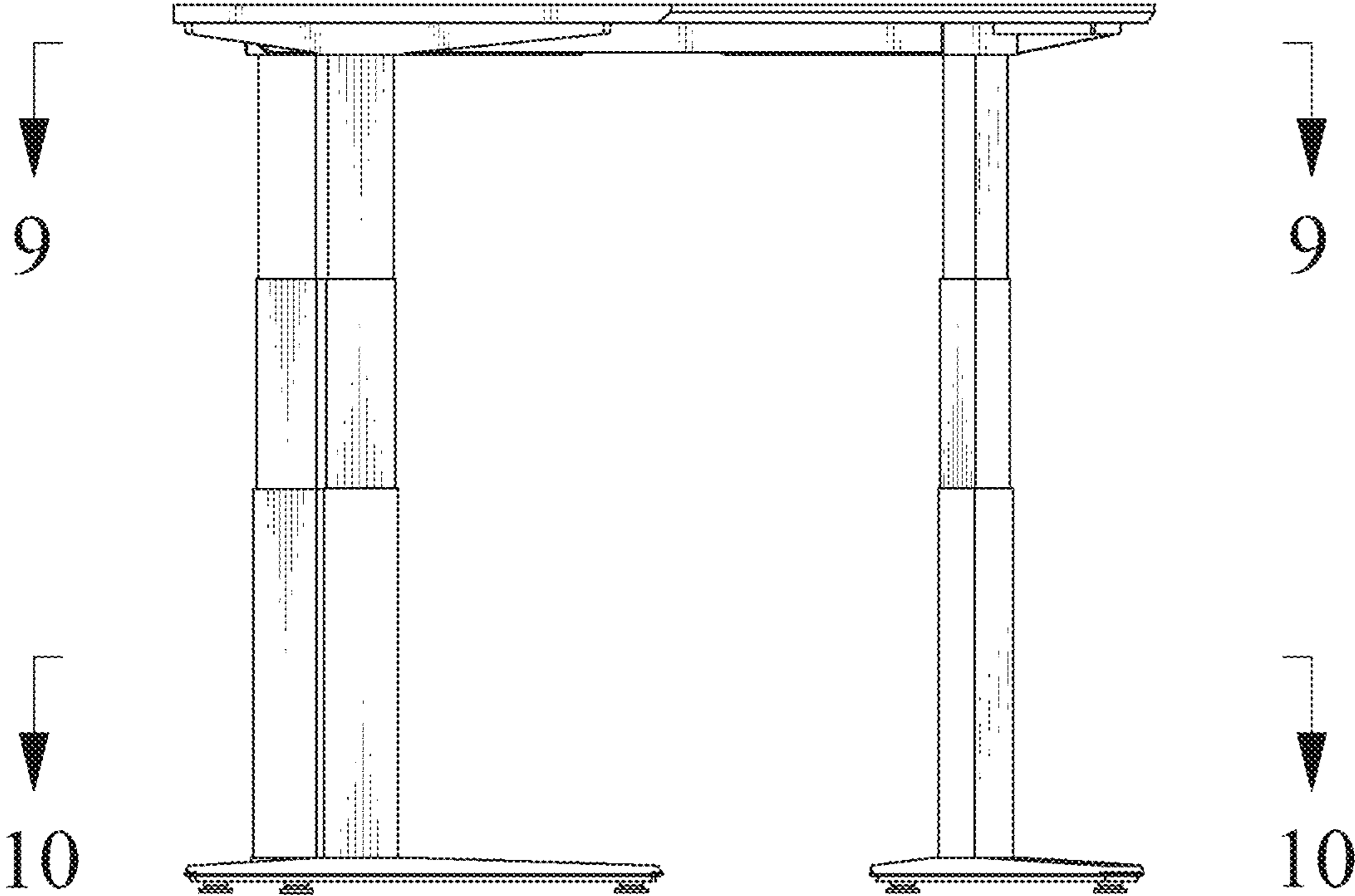


FIG. 4

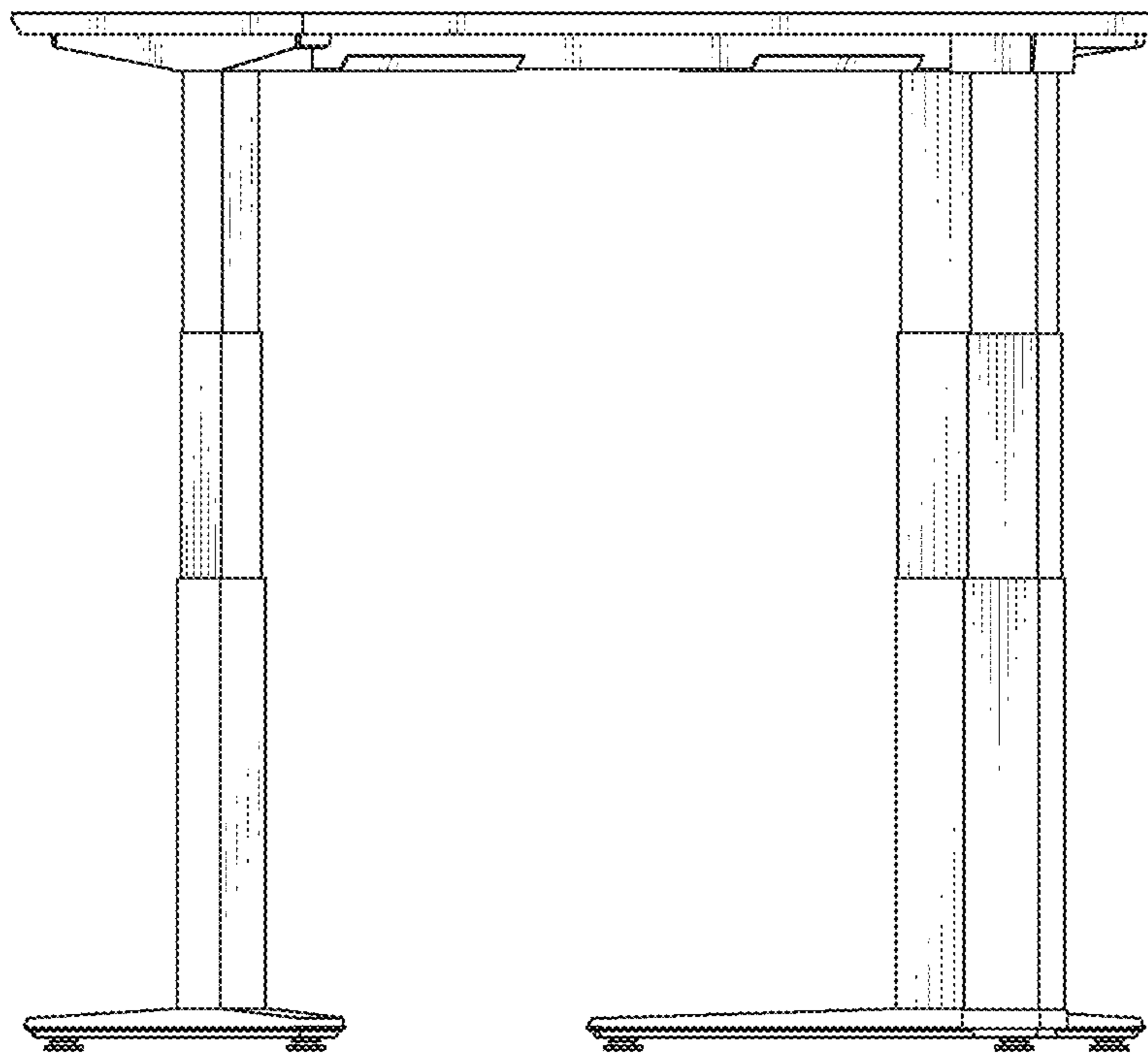
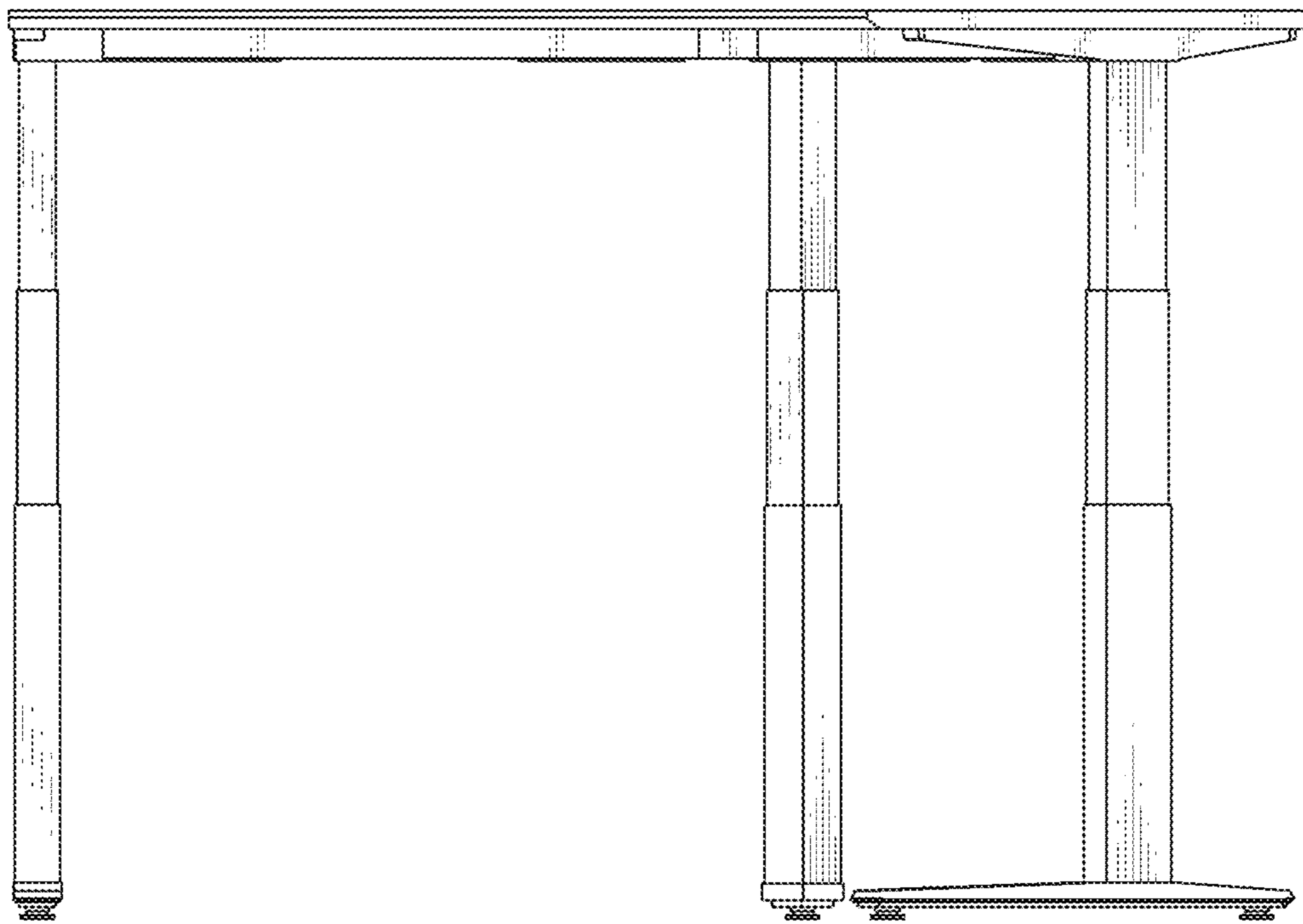


FIG. 5

→ 11



→ 11

FIG. 6

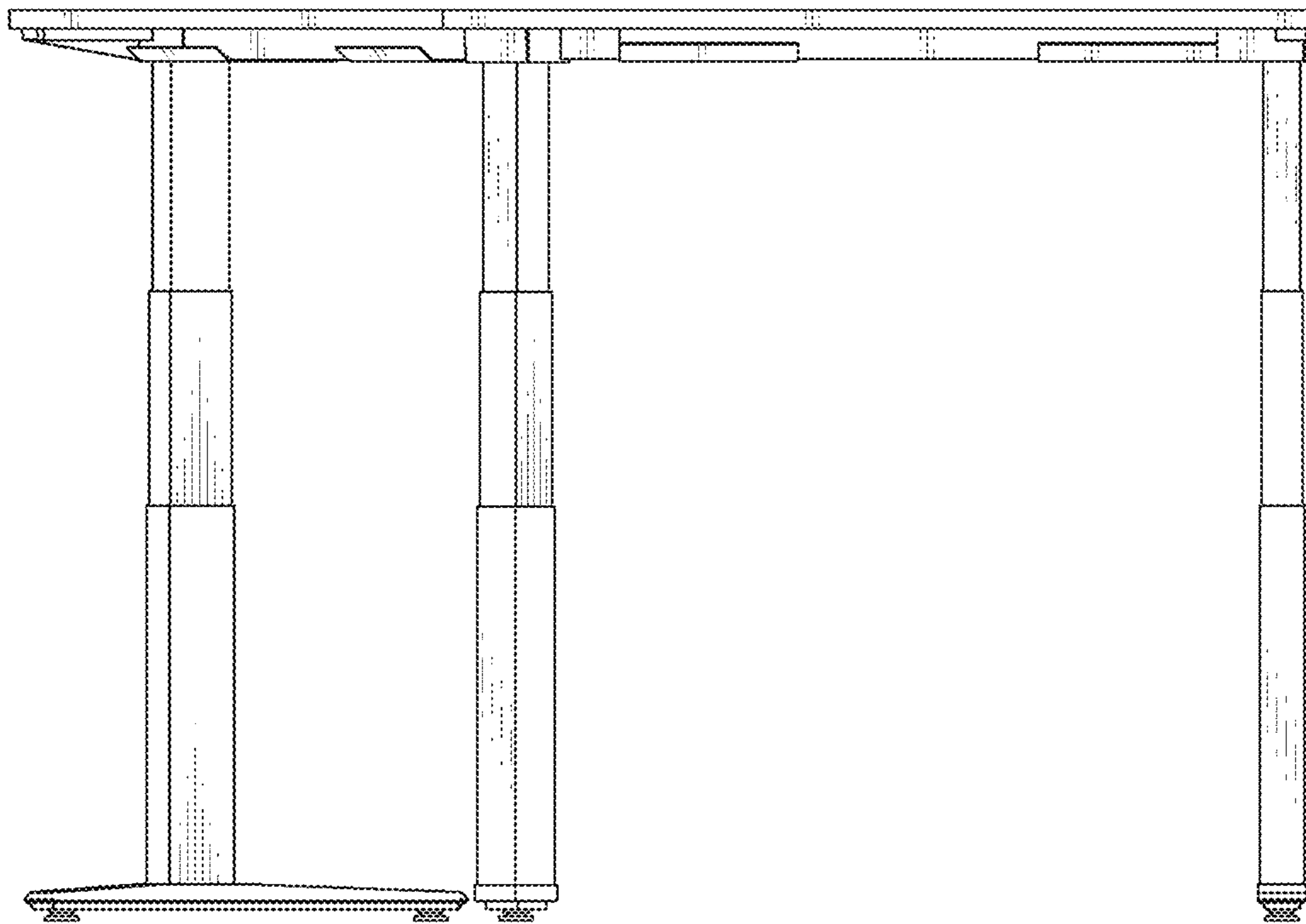


FIG. 7

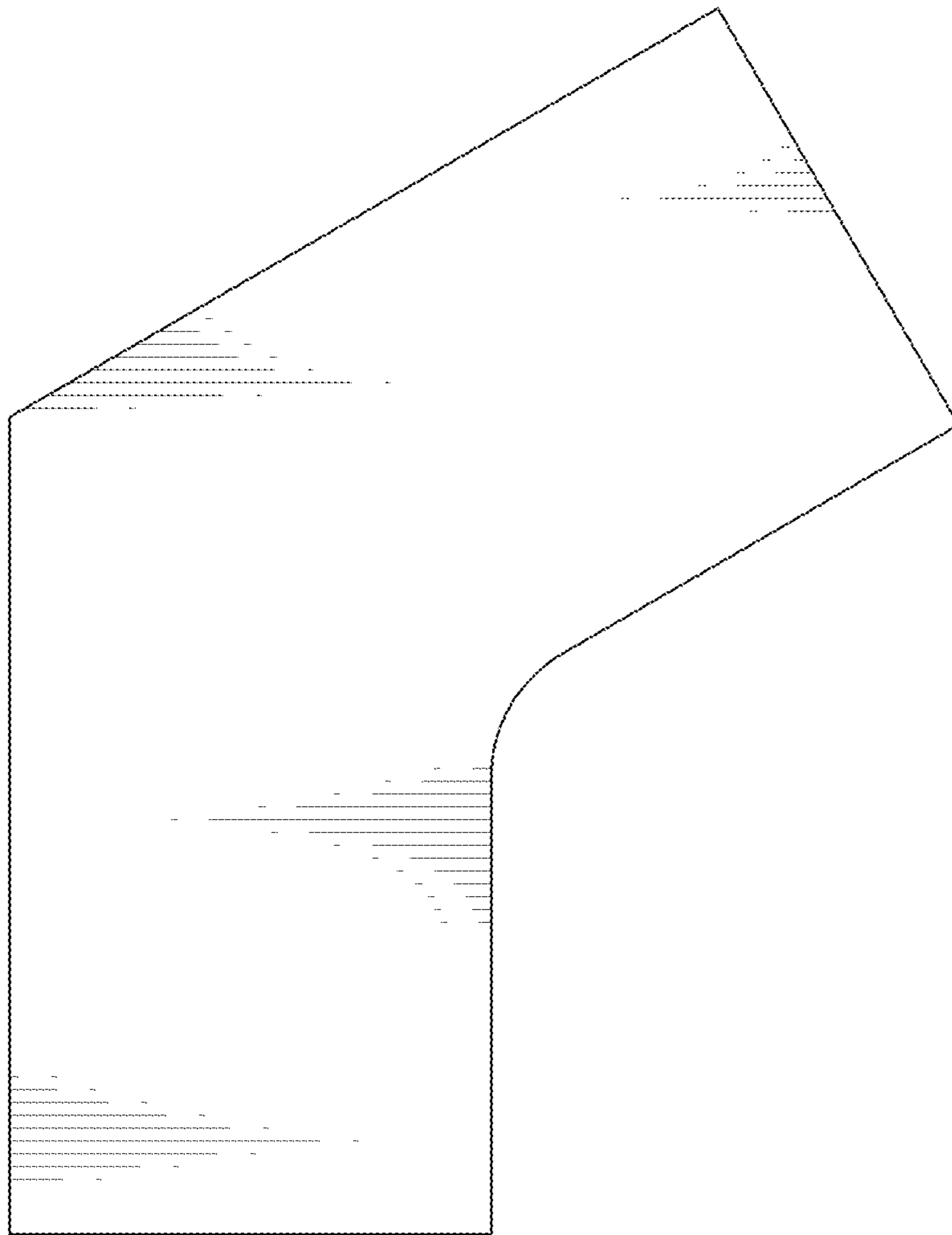


FIG. 8

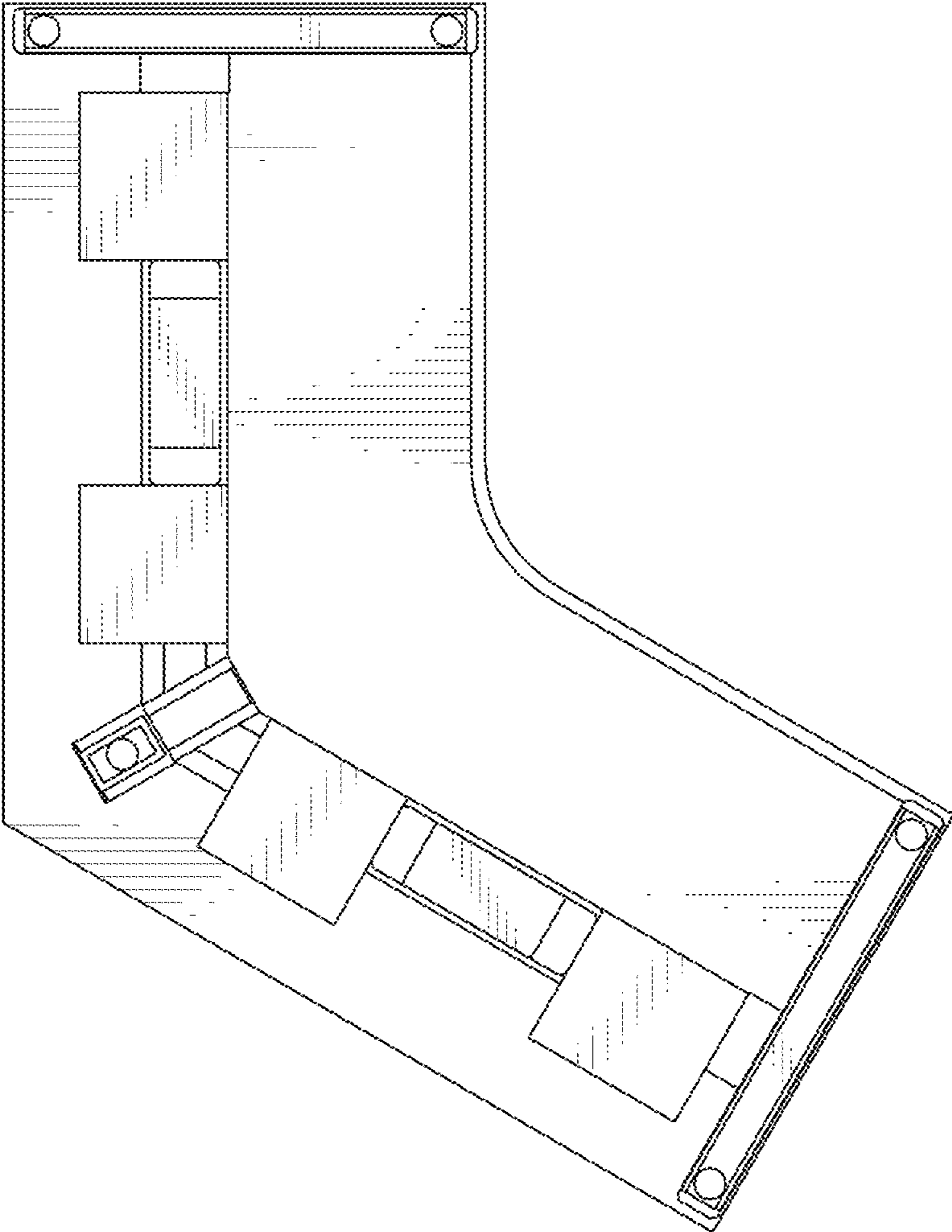


FIG. 9

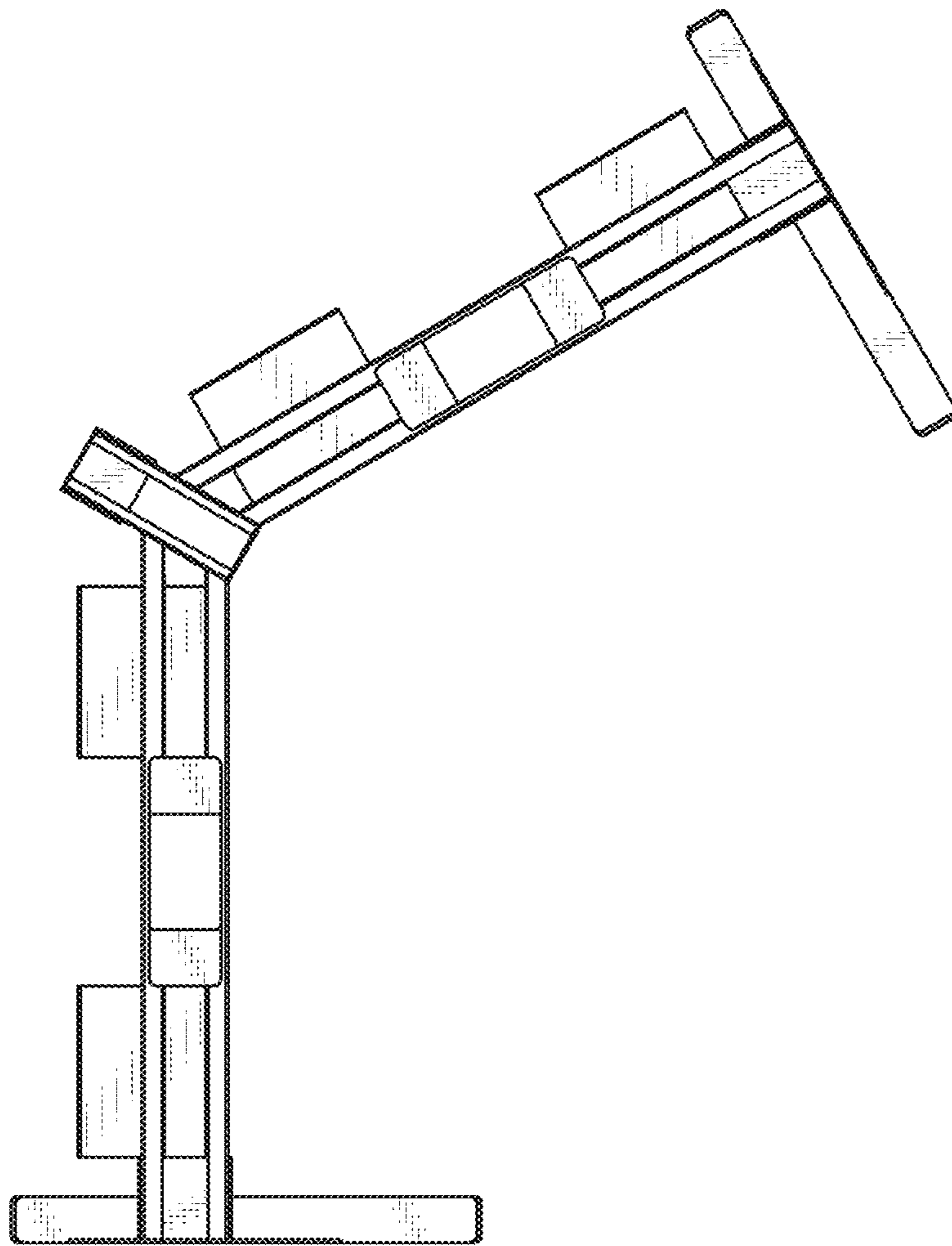


FIG. 10

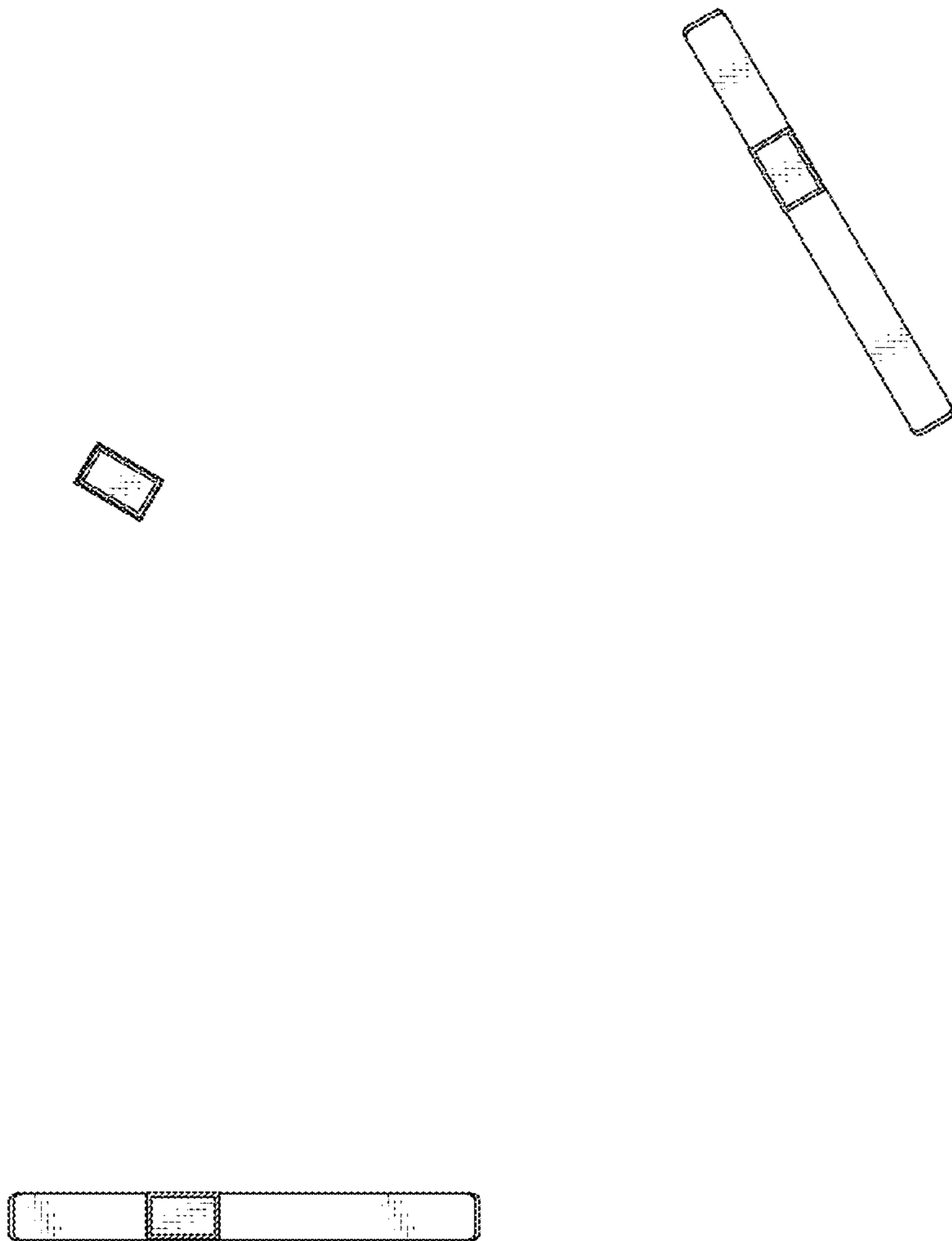


FIG. 11

