



US00D788494S

(12) **United States Design Patent**
Yamamoto

(10) **Patent No.:** **US D788,494 S**
(45) **Date of Patent:** **** Jun. 6, 2017**

- (54) **TABLE**
- (71) Applicant: **OKAMURA CORPORATION**,
Yokohama-shi, Kanagawa (JP)
- (72) Inventor: **Takayuki Yamamoto**, Yokohama (JP)
- (73) Assignee: **Okamura Corporation**, Kanagawa (JP)
- (**) Term: **15 Years**
- (21) Appl. No.: **29/545,091**
- (22) Filed: **Nov. 10, 2015**

(30) **Foreign Application Priority Data**

May 12, 2015 (JP) 2015-010308

(51) **LOC (10) Cl.** **06-03**

(52) **U.S. Cl.**
USPC **D6/642; D6/656.17**

(58) **Field of Classification Search**

USPC D6/641, 644, 648, 648.2, 648.4, 649,
D6/650, 651, 651.1, 653.21, 654, 654.21,
D6/655, 655.1, 655.14, 655.21, 656,
D6/656.16, 656.17, 672, 675, 675.3, 685,
D6/691, 691.3, 691.5, 691.9, 695, 695.1,
D6/696, 697, 698, 705, 332, 555, 643,
D6/643.1, 707, 707.18, 707.22

CPC A47B 1/08; A47B 7/00; A47B 9/00; A47B
9/06; A47B 9/12; A47B 9/16; A47B 9/20;
A47B 21/00; A47B 21/02; A47B 21/04;
A47B 13/088; A47B 13/10; A47B
21/0314; A47B 2021/0321; A47B
2021/0364; A47B 9/10; A47B 9/14

See application file for complete search history.

(56) **References Cited**

U.S. PATENT DOCUMENTS

D289,471 S * 4/1987 Sottsass D6/332
D352,406 S * 11/1994 Scheffers D6/656.17

D526,811 S * 8/2006 Nicoletti D6/643
D644,044 S * 8/2011 Kitajima D6/656.17
D644,855 S * 9/2011 Saito D6/656.17
D677,496 S * 3/2013 Agati D6/555
D730,086 S * 5/2015 Kitada D6/643
D732,317 S * 6/2015 Chang D6/656.17
D743,188 S * 11/2015 Denby D6/643

(Continued)

OTHER PUBLICATIONS

'Genese desk'. urban-office.com [online]. Undated [retrieved Aug 15, 2016]. Retrieved from the Internet: <URL: https://www.urban-office.com/office/desks/genese-desk.html>.*

Primary Examiner — Mary Ann Calabrese

(74) *Attorney, Agent, or Firm* — Sughrue Mion, PLLC

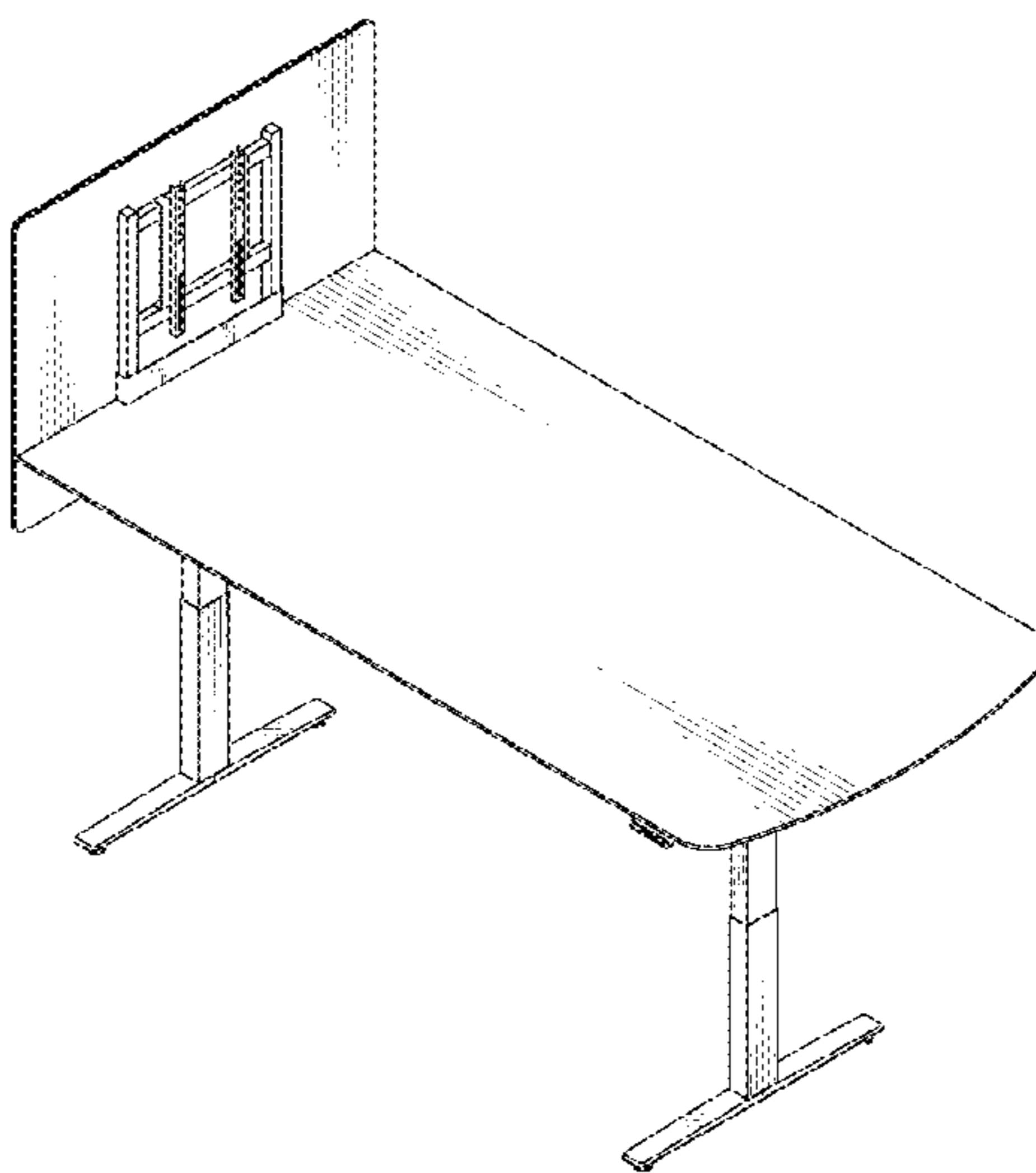
(57) **CLAIM**

The ornamental design for a table, as shown and described.

DESCRIPTION

FIG. 1 is a perspective view from the right side of a table.
FIG. 2 is a perspective view from the left side thereof.
FIG. 3 is a front elevation view thereof.
FIG. 4 is a rear elevation view thereof.
FIG. 5 is a right side elevation view thereof.
FIG. 6 is a left side elevation view thereof.
FIG. 7 is a top plan view thereof.
FIG. 8 is a bottom plan view thereof.
FIG. 9 is a cross-sectional view taken along the line 9-9 in FIG. 5, which omits the internal structure.
FIG. 10 is a cross-sectional view taken along the line 10-10 in FIG. 5.
FIG. 11 is a perspective view of the table in an alternate lower position; and,
FIG. 12 is a perspective view showing the table in use.
The broken lines in FIG. 12 illustrate environment and form no part of the claimed design.

1 Claim, 12 Drawing Sheets



(56)

References Cited

U.S. PATENT DOCUMENTS

2016/0170402 A1* 6/2016 Lindstrom A47B 9/00
700/275

* cited by examiner

FIG. 1

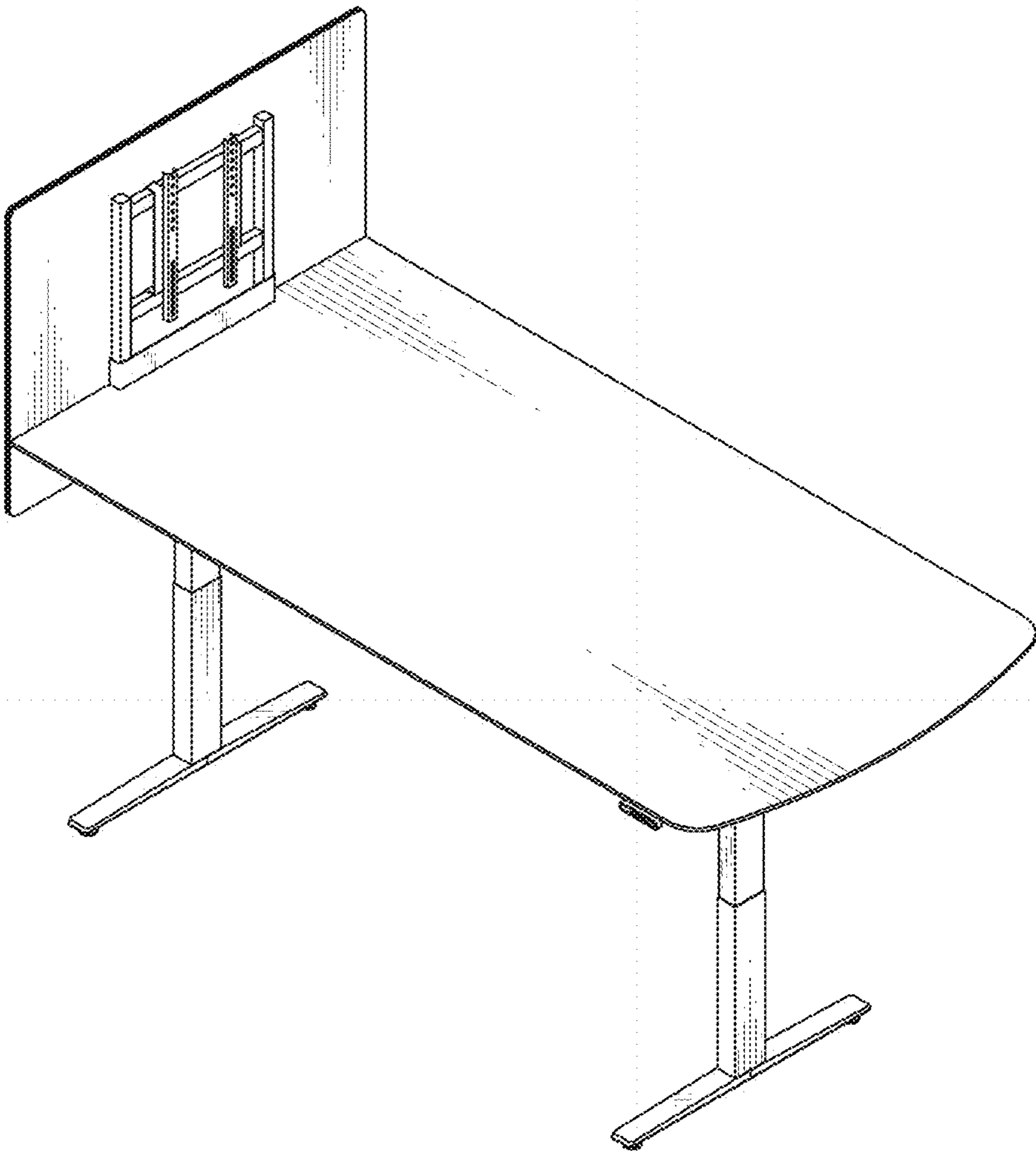


FIG. 2

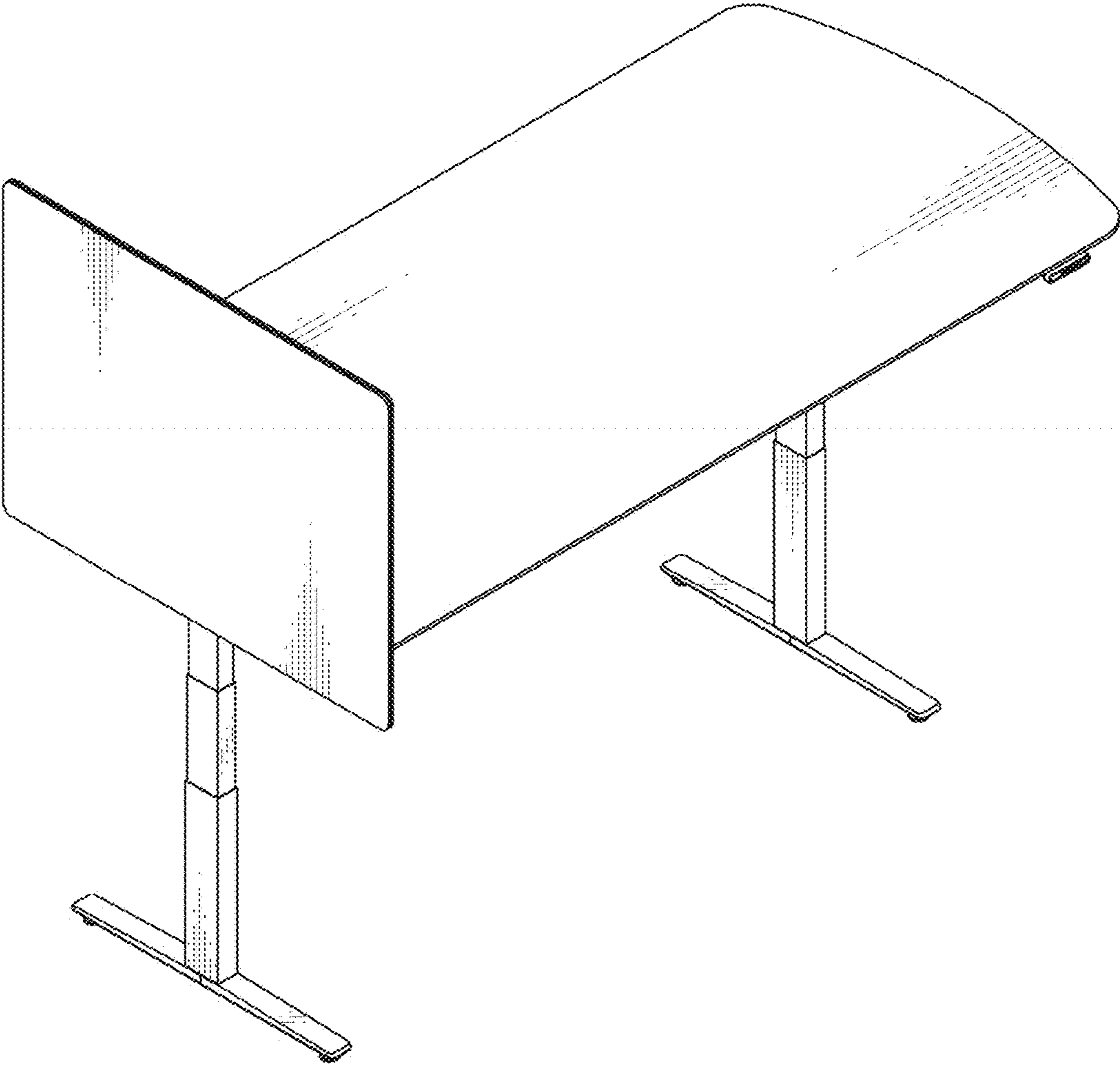


FIG. 3

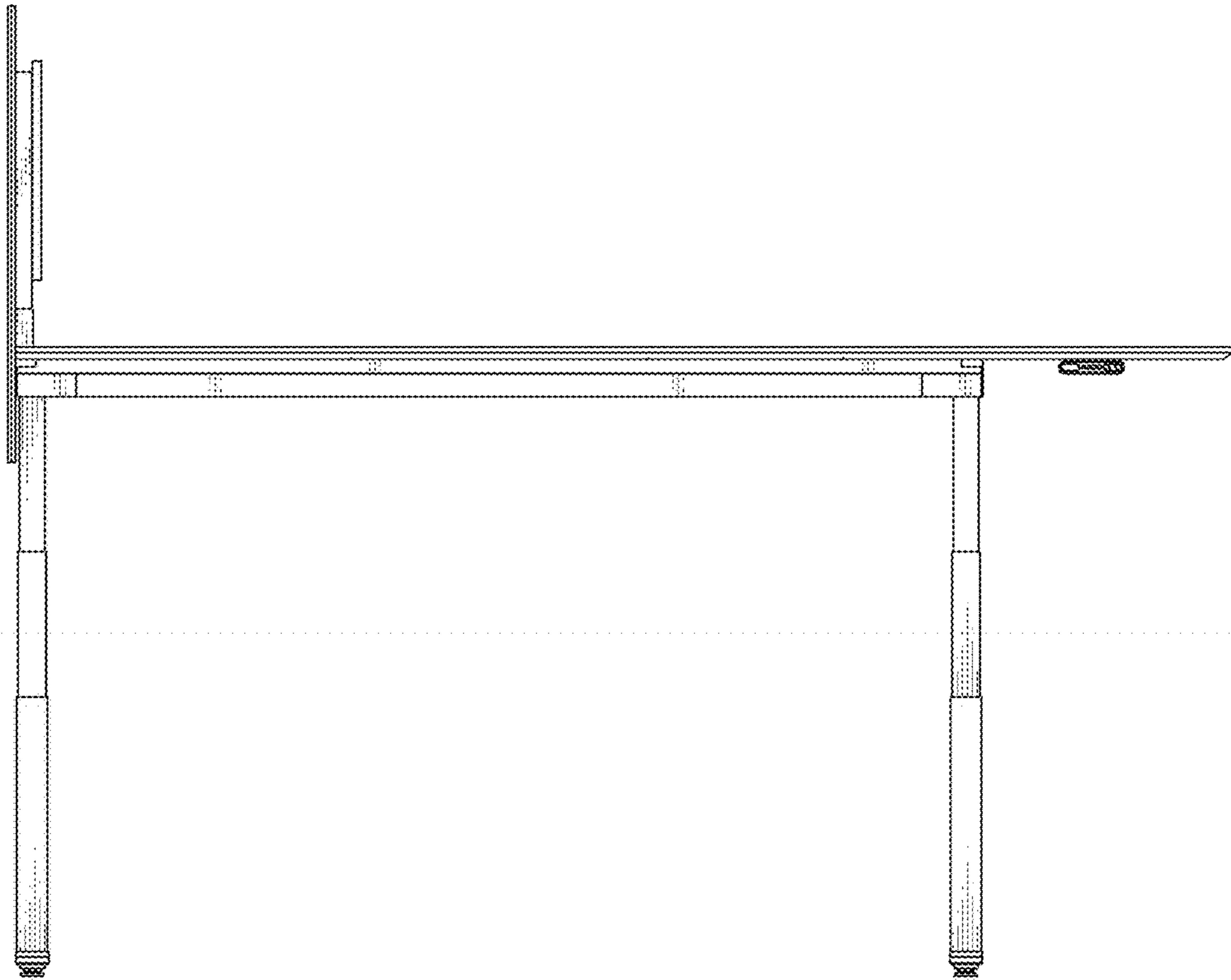


FIG. 4

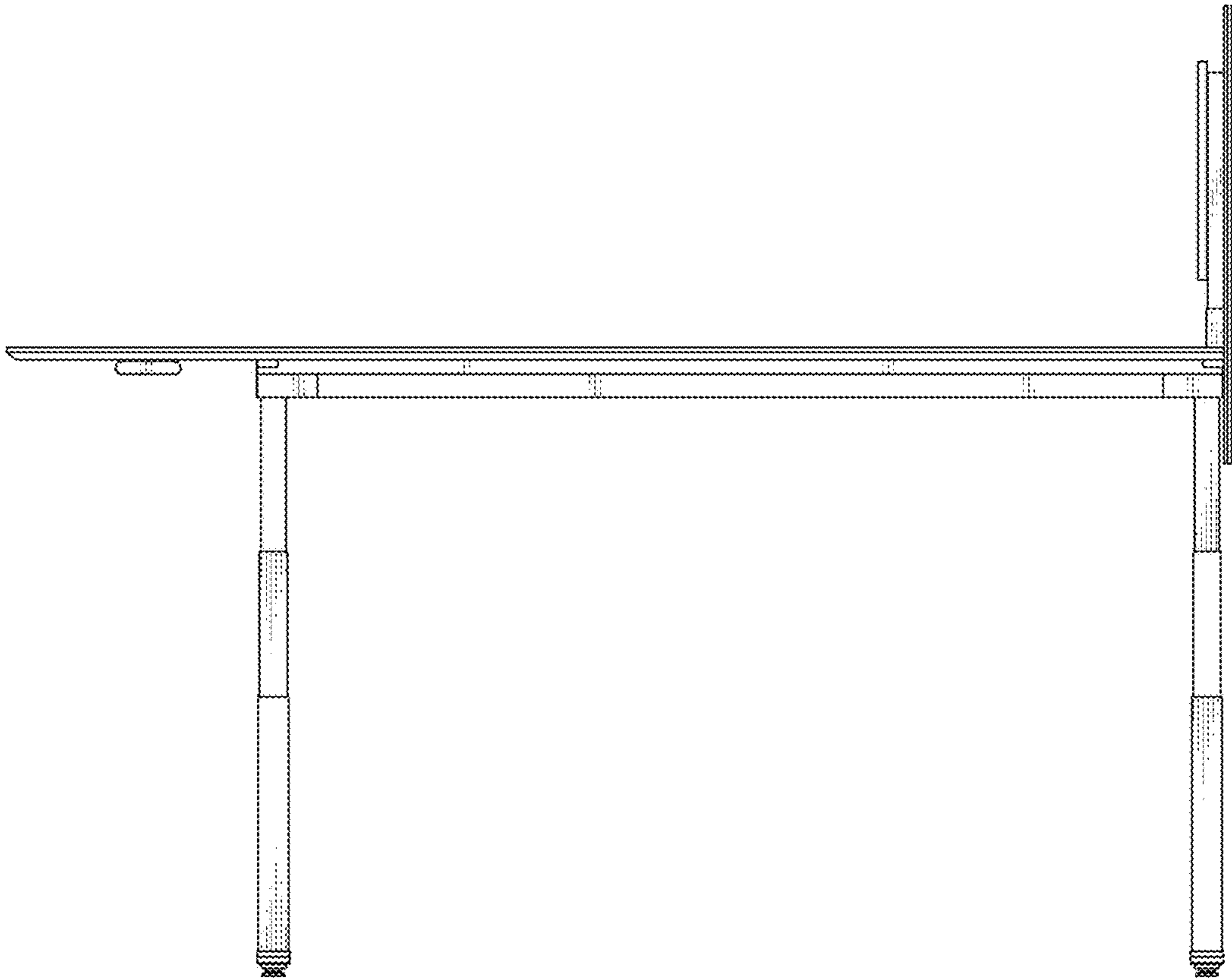


FIG. 5

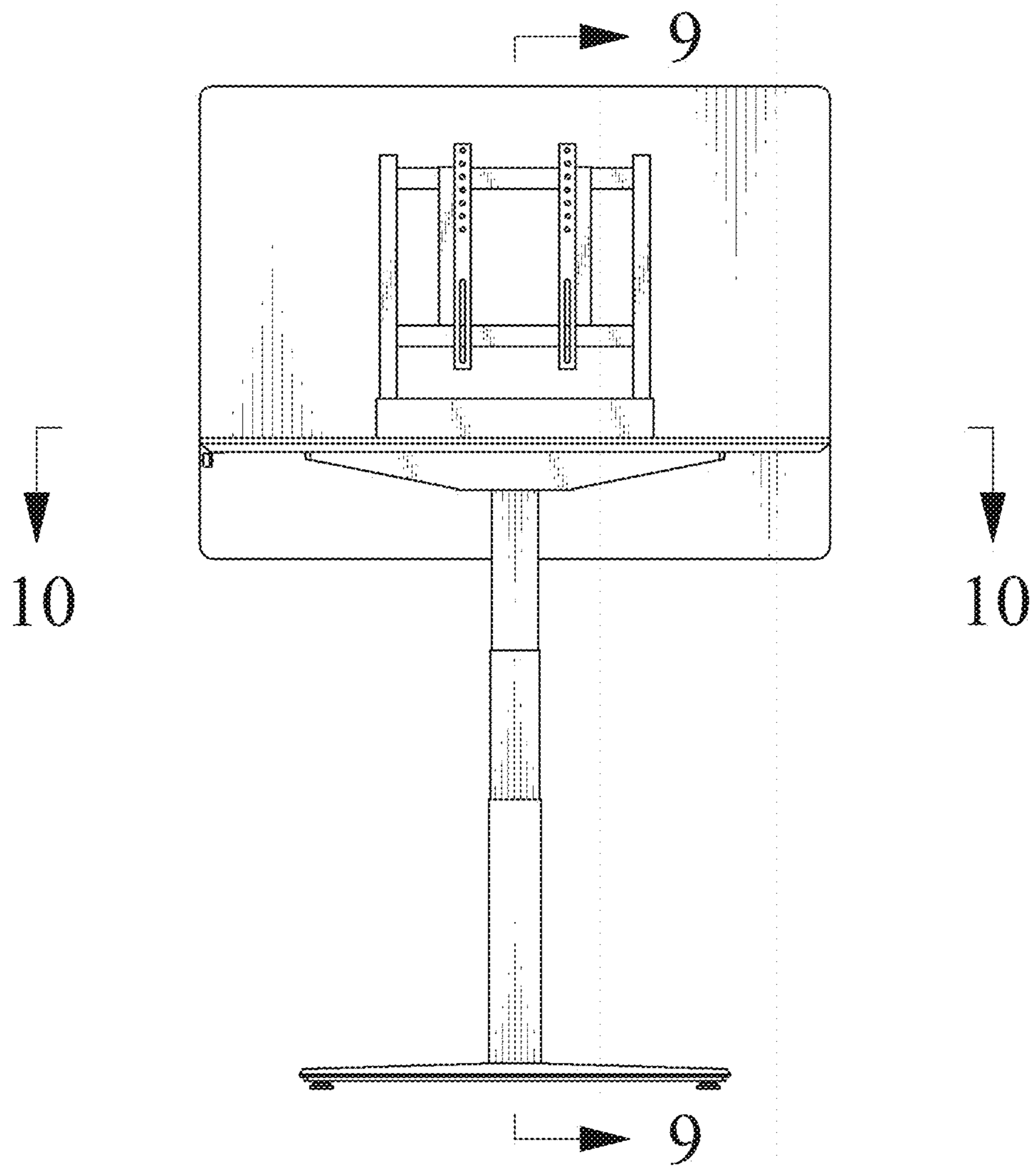


FIG. 6

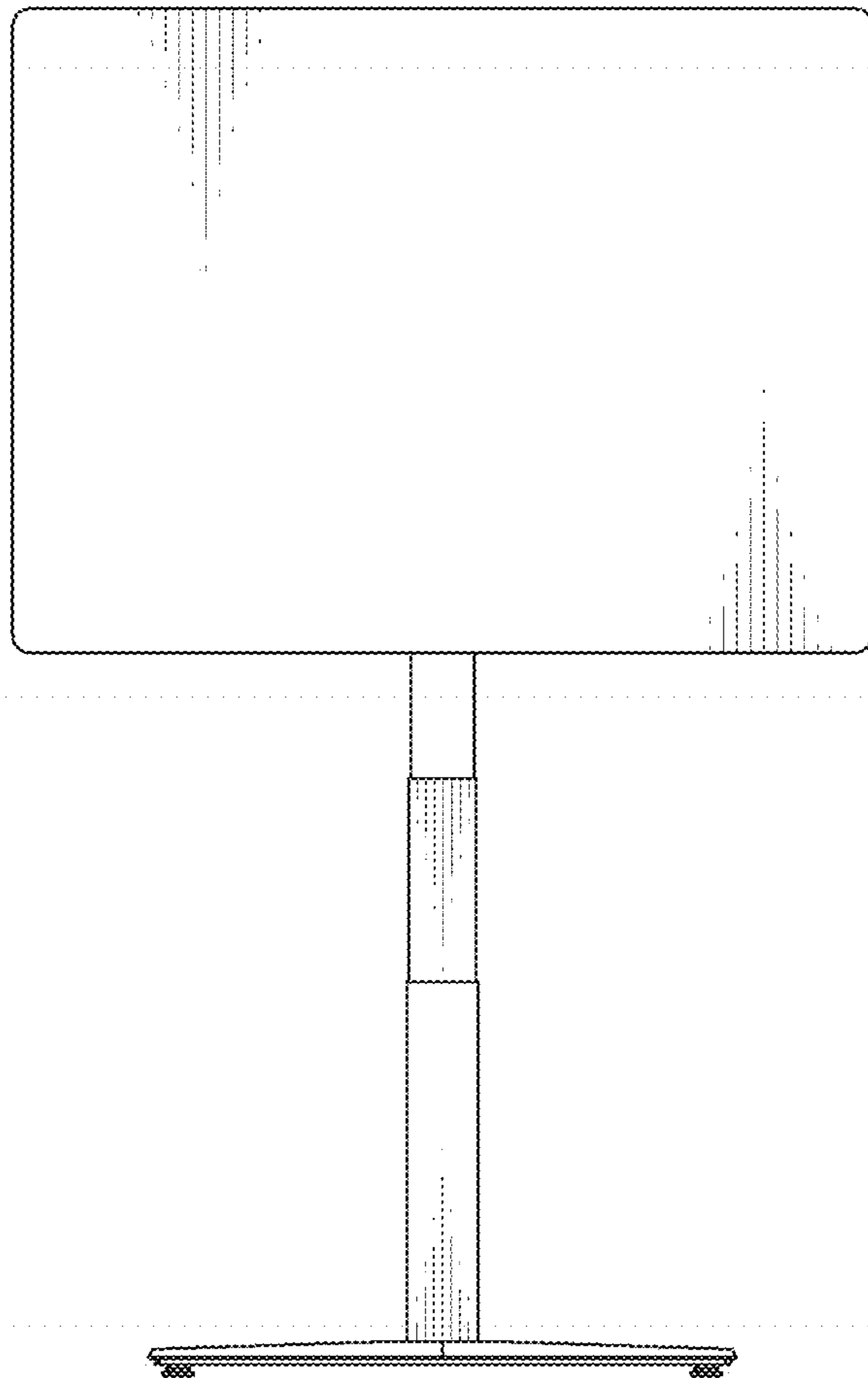


FIG. 7

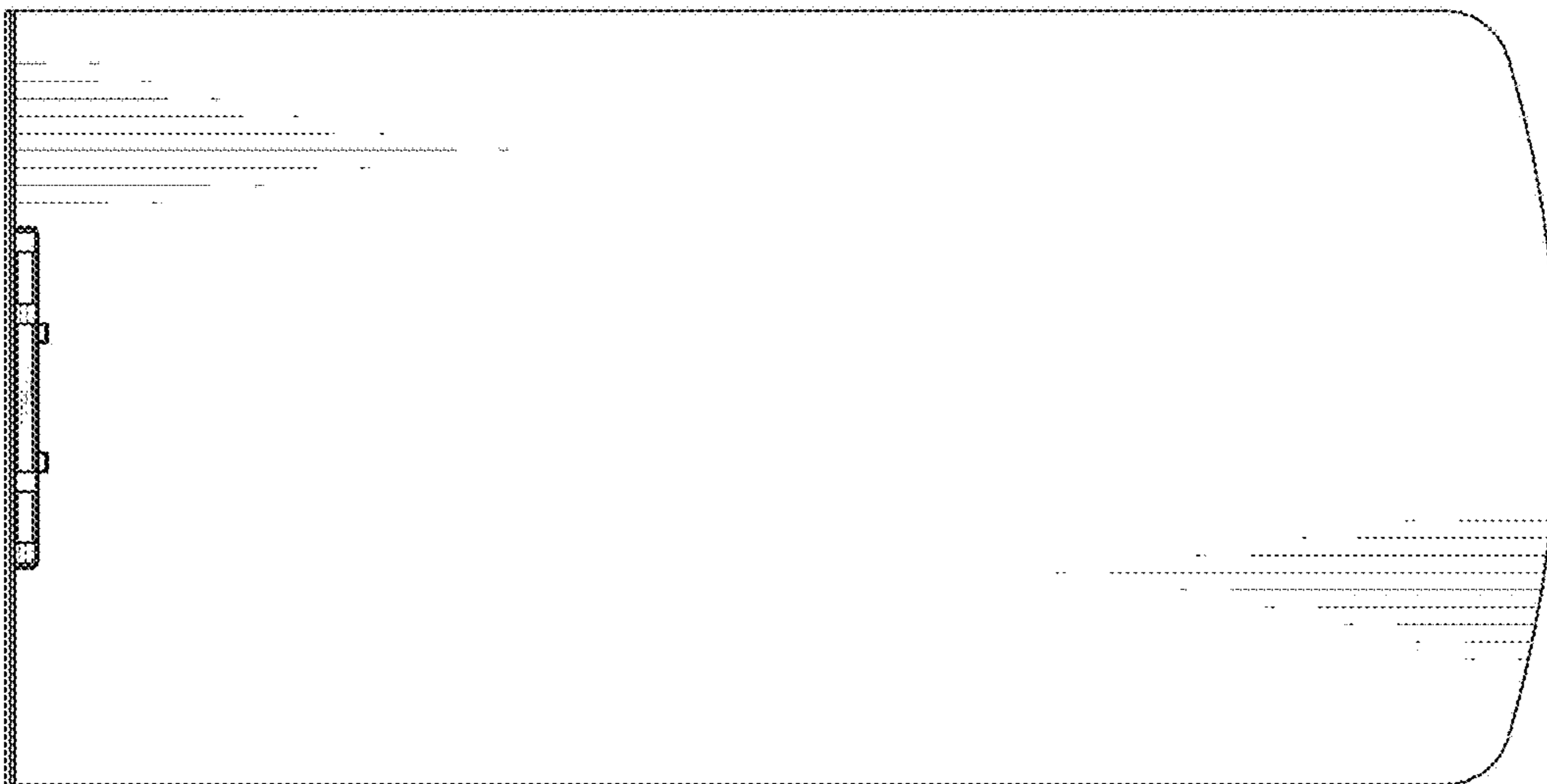


FIG. 8

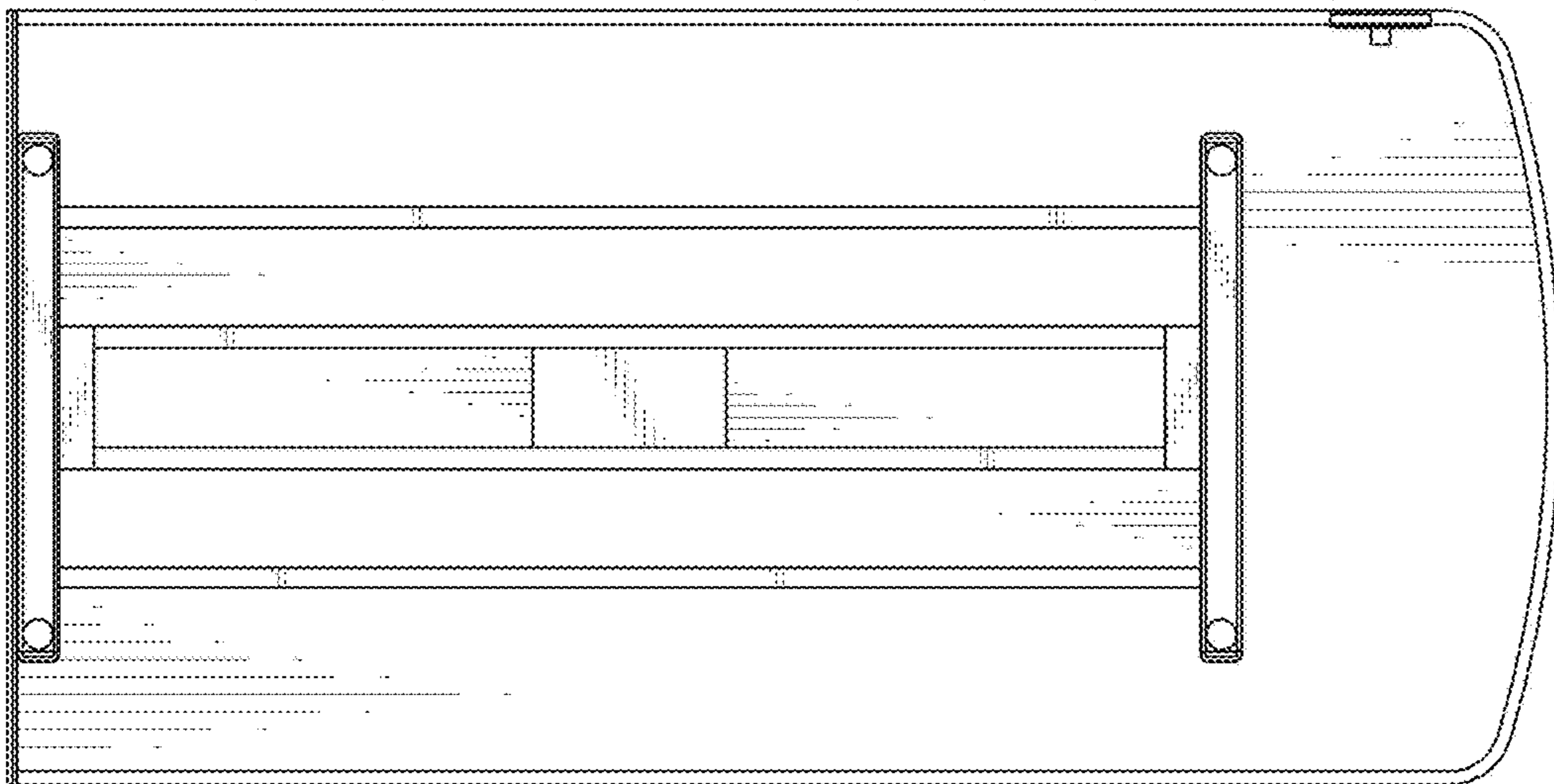


FIG. 9

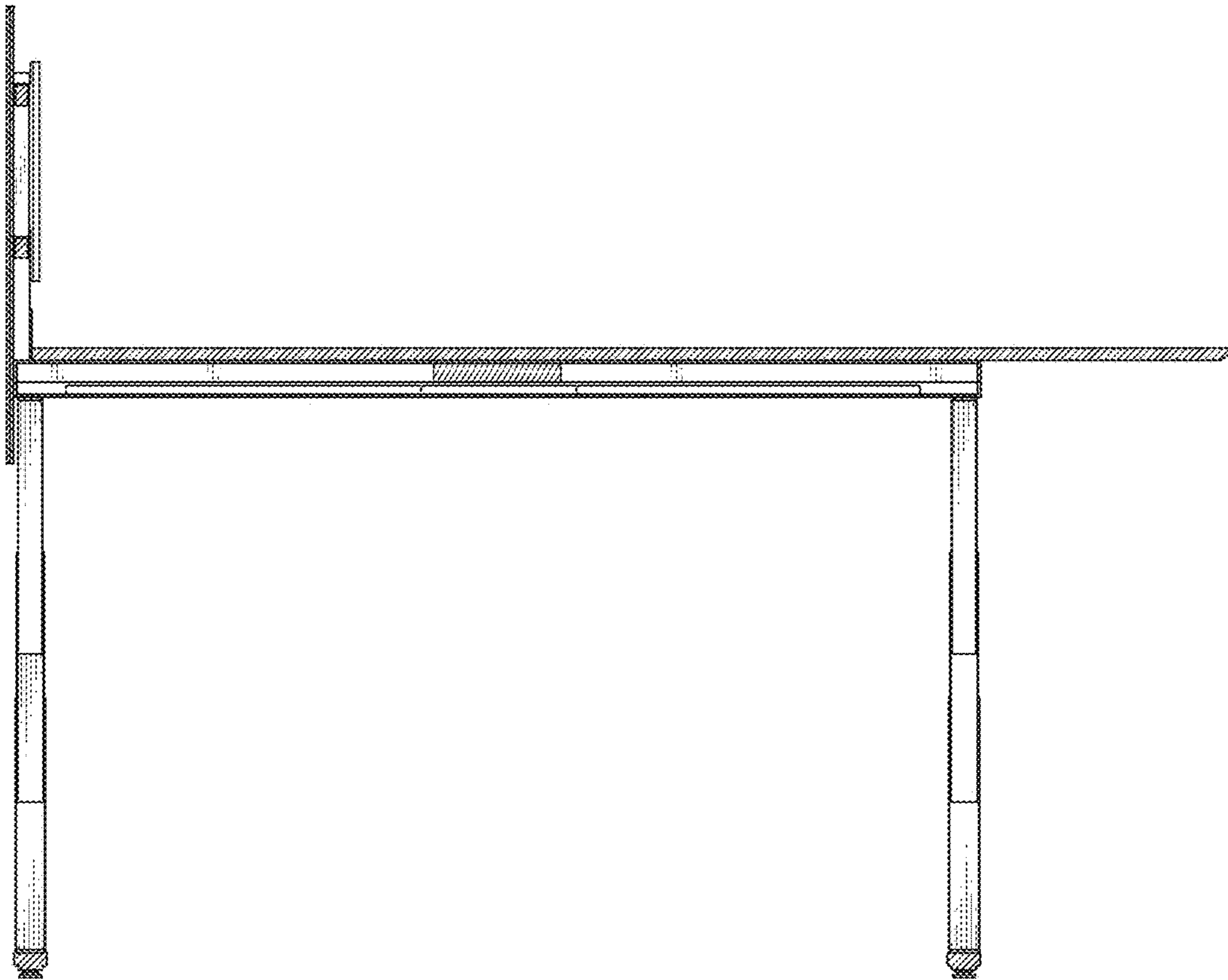


FIG. 10

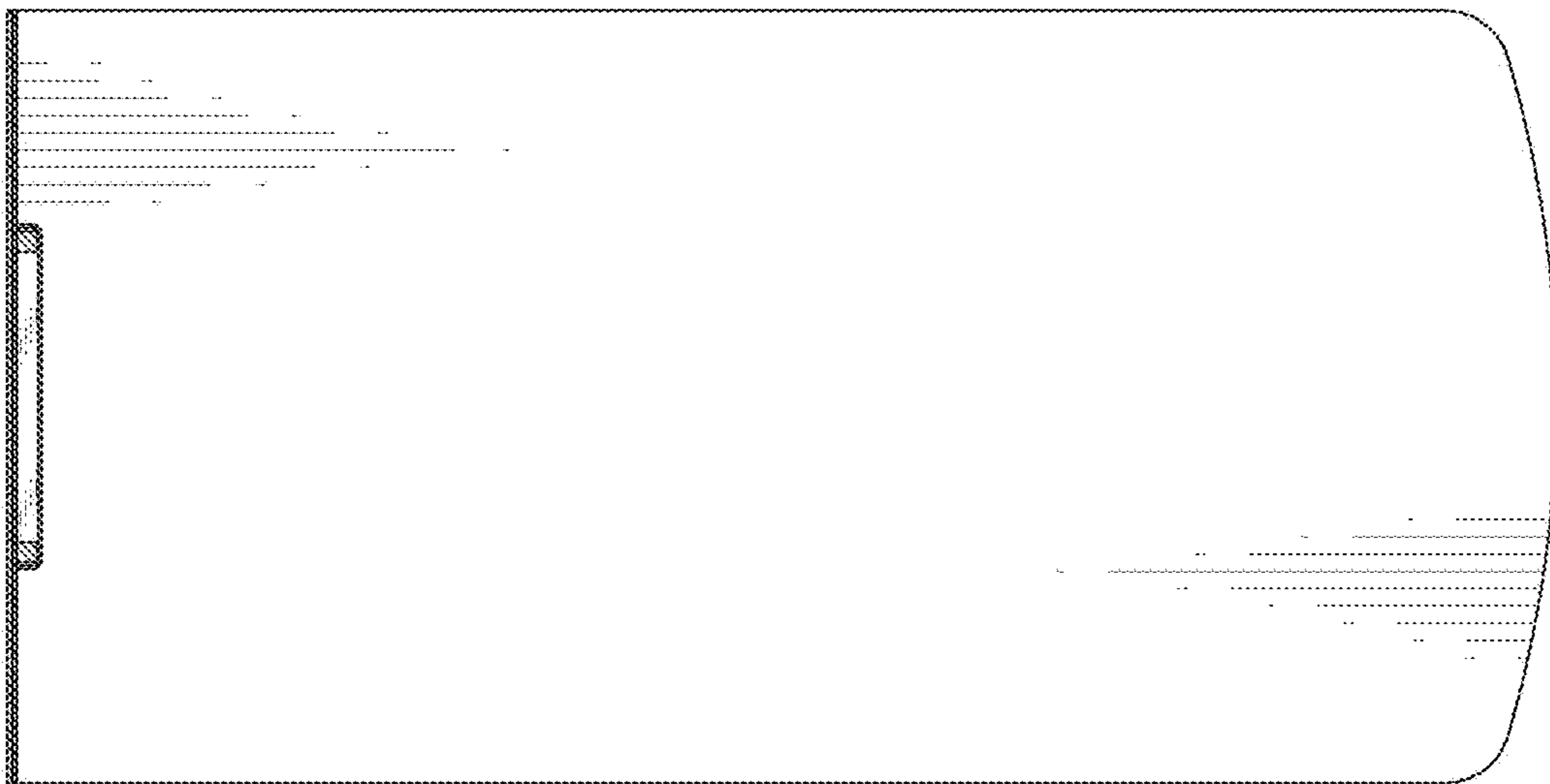


FIG. 11

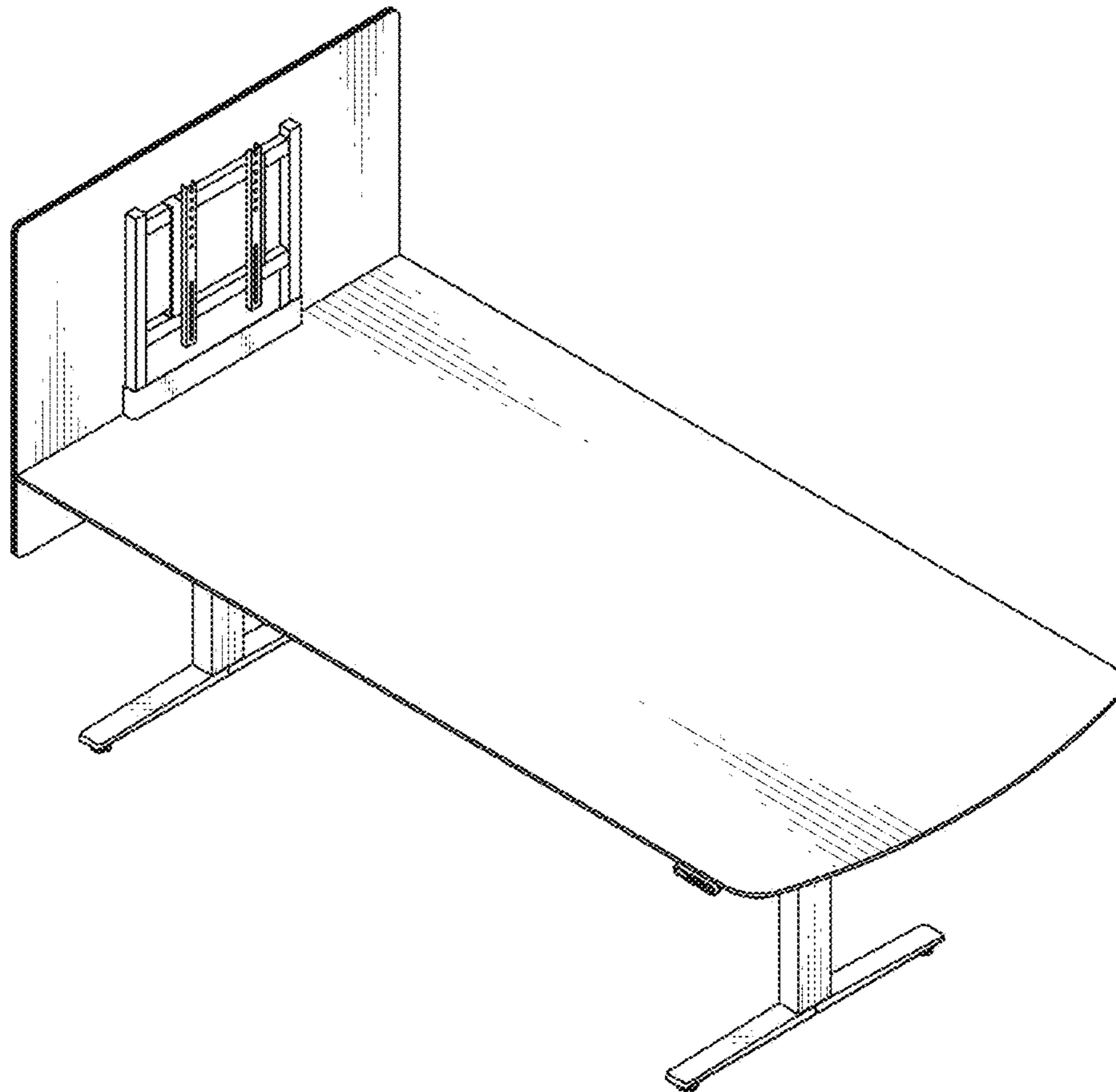


FIG. 12

