



US00D788490S

(12) **United States Design Patent** (10) **Patent No.:** **US D788,490 S**
Klein et al. (45) **Date of Patent:** **** Jun. 6, 2017**

(54) **HANGING PIVOTING ORGANIZER**

(71) Applicant: **LYNK, INC.**, Lenexa, KS (US)

(72) Inventors: **Richard B. Klein**, Overland Park, KS (US); **Mark A. Etter**, Independence, MO (US); **Andrew J. Meier**, Overland Park, KS (US); **Kelsey A. Boyd**, Cincinnati, OH (US)

(73) Assignee: **LYNK, INC.**, Lenexa, KS (US)

(**) Term: **15 Years**

(21) Appl. No.: **29/553,803**

(22) Filed: **Feb. 4, 2016**

(51) **LOC (10) Cl.** **06-04**

(52) **U.S. Cl.**
USPC **D6/548**

(58) **Field of Classification Search**
USPC D6/548, 315–328, 546, 547, 549–550, D6/558, 553, 567, 569; 211/85.28
CPC A47G 25/32; A47G 25/28; A47G 25/743; A47G 25/746; A47G 29/083; A47G 25/06; A47G 25/0607; A47G 25/10; A47G 25/38; A47G 29/08
See application file for complete search history.

(56) **References Cited**

U.S. PATENT DOCUMENTS

D157,431 S * 2/1950 Roop D6/548
5,449,073 A * 9/1995 DeBeverly A47F 7/00
211/168
D571,592 S * 6/2008 Bickler D6/548
D591,991 S * 5/2009 Cohen D6/548
(Continued)

OTHER PUBLICATIONS

Website Advertisement, Amazon.com, “Household Essentials Hinge It Clutterbuster 4 Bar Hanging Garment and Linen Valet, Chrome”, downloaded from the internet on Sep. 4, 2015 at http://

www.amazon.com/Household-Essentials-Clutterbuster-Hanging-Clothing/dp/B001AX0QD2?ie=UTF8&keywords=hanging%20closet%20bars&qid=1459884074&ref_=sr_1_17&sr=8-17 (4 pgs).

(Continued)

Primary Examiner — Wan Laymon
Assistant Examiner — Mark Booker
(74) *Attorney, Agent, or Firm* — Stinson Leonard Street LLP

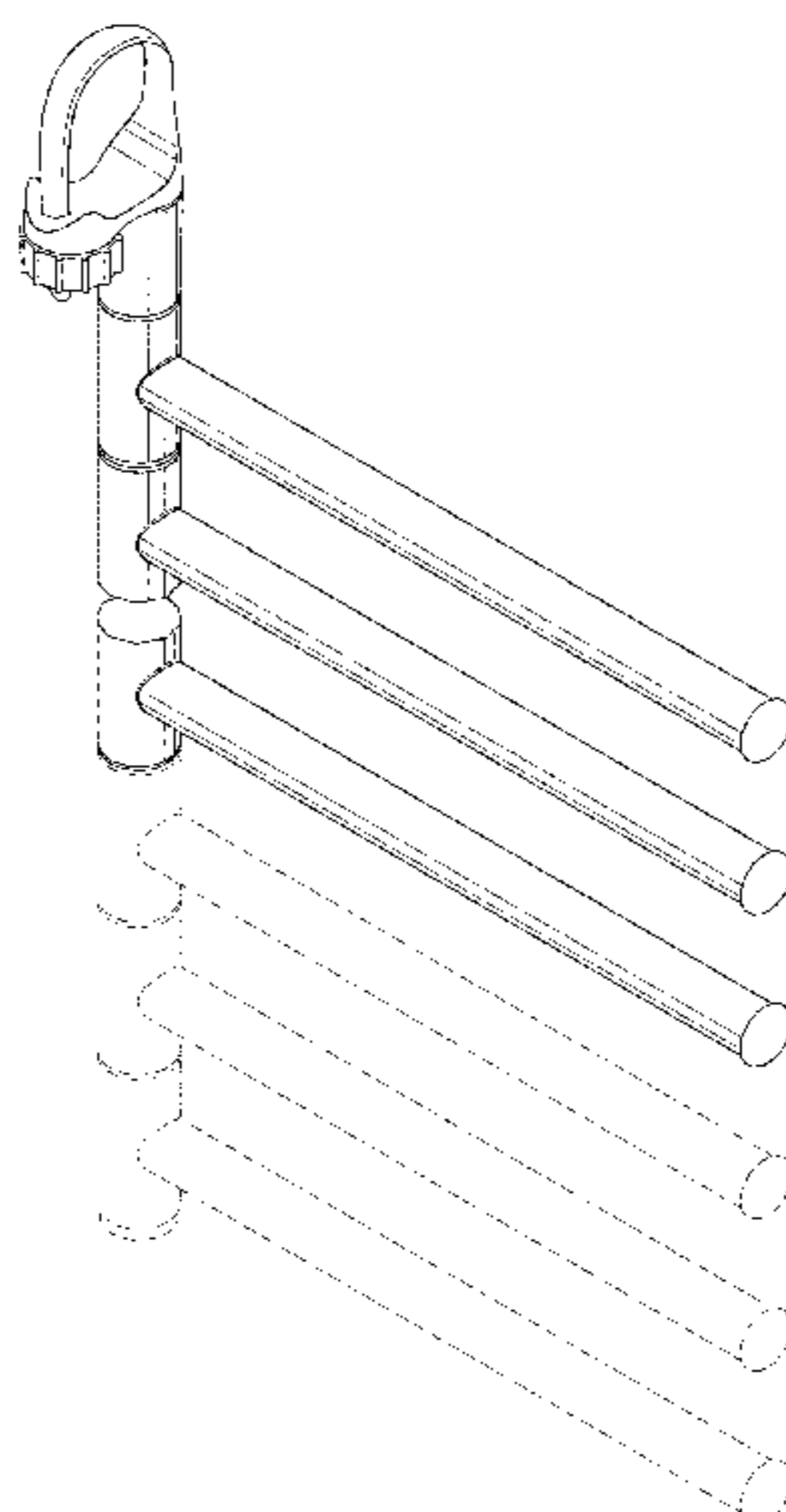
(57) **CLAIM**

The ornamental design for a hanging pivoting organizer, as shown and described.

DESCRIPTION

FIG. 1 is a front perspective view of the hanging pivoting organizer;
FIG. 2 is a front elevational view of the hanging pivoting organizer of FIG. 1;
FIG. 3 is a back elevational view of the hanging pivoting organizer of FIG. 1;
FIG. 4 is left side elevational view of the hanging pivoting organizer of FIG. 1;
FIG. 5 is a right side elevational view of the hanging pivoting organizer of FIG. 1;
FIG. 6 is a top plan view of the hanging pivoting organizer of FIG. 1;
FIG. 7 is a bottom plan view of the hanging pivoting organizer of FIG. 1; and,
FIG. 8 is a front perspective view of the hanging pivoting organizer of FIG. 1 with the arms shown in a staggered position.
The hanging pivoting organizer is shown with a symbolic break in its length. The appearance of any portion of the article between the break lines forms no part of the claimed design.
The broken lines shown in the figures represent portions of the hanging pivoting organizer that form no part of the claimed design.

1 Claim, 6 Drawing Sheets



(56)

References Cited

U.S. PATENT DOCUMENTS

D617,593 S * 6/2010 Cohen D6/548

OTHER PUBLICATIONS

Website Advertisement, Amazon.com, “BYSKY™ Wall-Mounted Stainless Steel Bathroom Kitchen Towel Rack Holder with 2 Swivel Bars”, downloaded from the internet on Sep. 4, 2015 at http://www.amazon.com/BTSKY-Wall-Mounted-Stainless-Bathroom-Kitchen/dp/B00STLYPYO/ref=sr_1_3?ie=UTF8&qid=1459884186&sr=8-3&keywords=swivel+towel+rods (1 pg).

Website Advertisement, Amazon.com “Decko #38190 Swing Arm Kitchen Towel Rack, Chrome”, downloaded from the internet on Sep. 4, 2015 at http://www.amazon.com/Decko-38190-Swing-Kitchen-Chrome/dp/B0014XTJ2W/ref=sr_1_4?ie=UTF8&qid=1459884186&sr=8-4&keywords=swivel+towel+rods (1 pg).

Website Advertisement, Amazon.com, “Gatco 1506 Floor Standing S Style Towel Holder, Satin Nickel”, downloaded from the internet on Sep. 4, 2015 at http://www.amazon.com/Gatco-1506-Standing-Holder-Nickel/dp/B000NVXMCE/ref=sr_1_2?ie=UTF8&qid=1459884327&sr=8-2&keywords=towel+bars+floor+standing (1 pg).

Website Advertisement, Amazon.com, “Modern Heavy Duty Black Metal Floor Freestanding 6 Towel Bars Bathroom Rack/Drying Stand/Towel Valet”, downloaded from the internet on Sep. 4, 2015 at http://www.amazon.com/Modern-Heavy-Freestanding-Bathroom-Drying/dp/B00SKCPLI6/ref=sr_1_9?ie=UTF8&qid=1459884327&sr=8-9&keywords=towel+bars+floor+standing (1 pg).

* cited by examiner

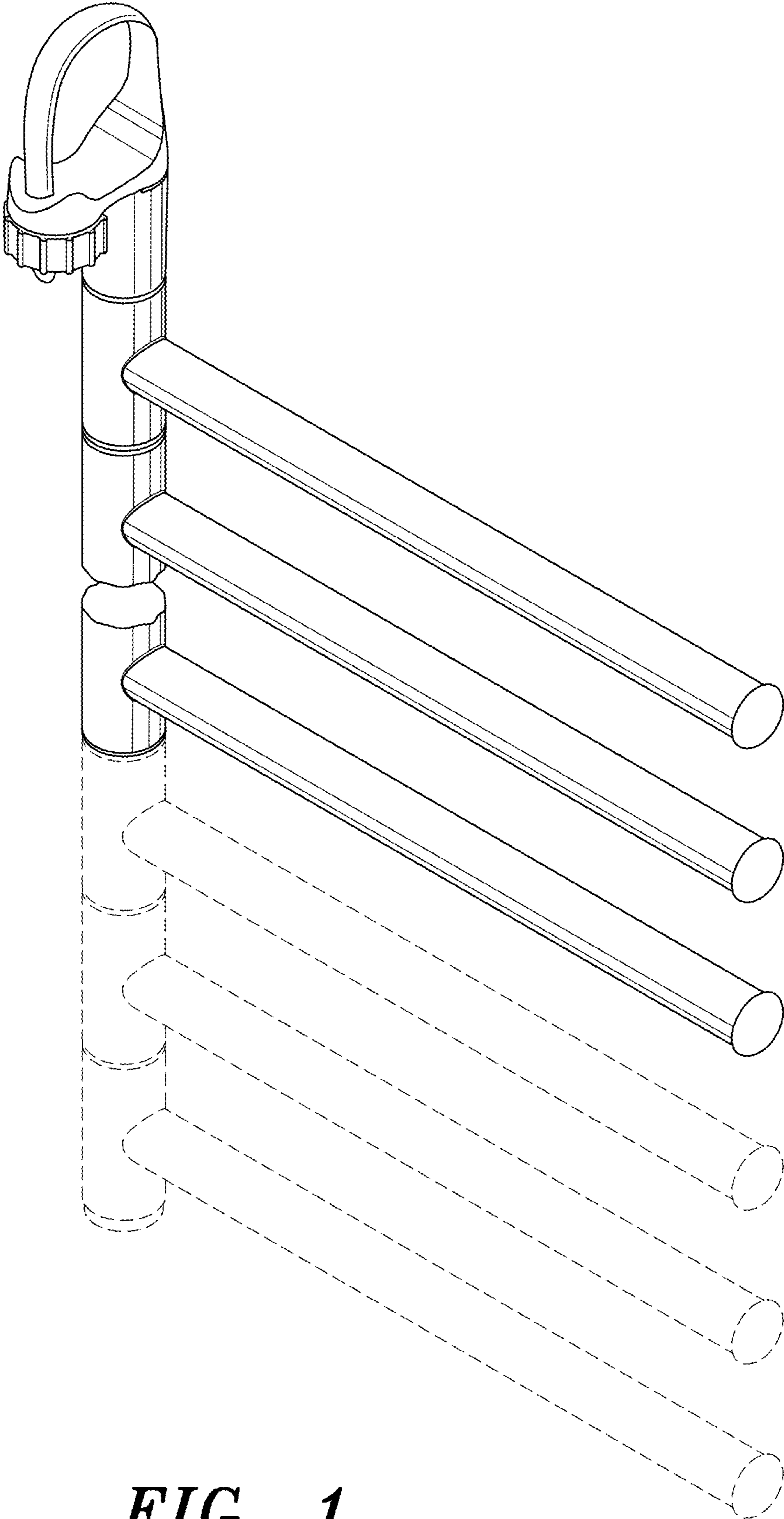


FIG. 1

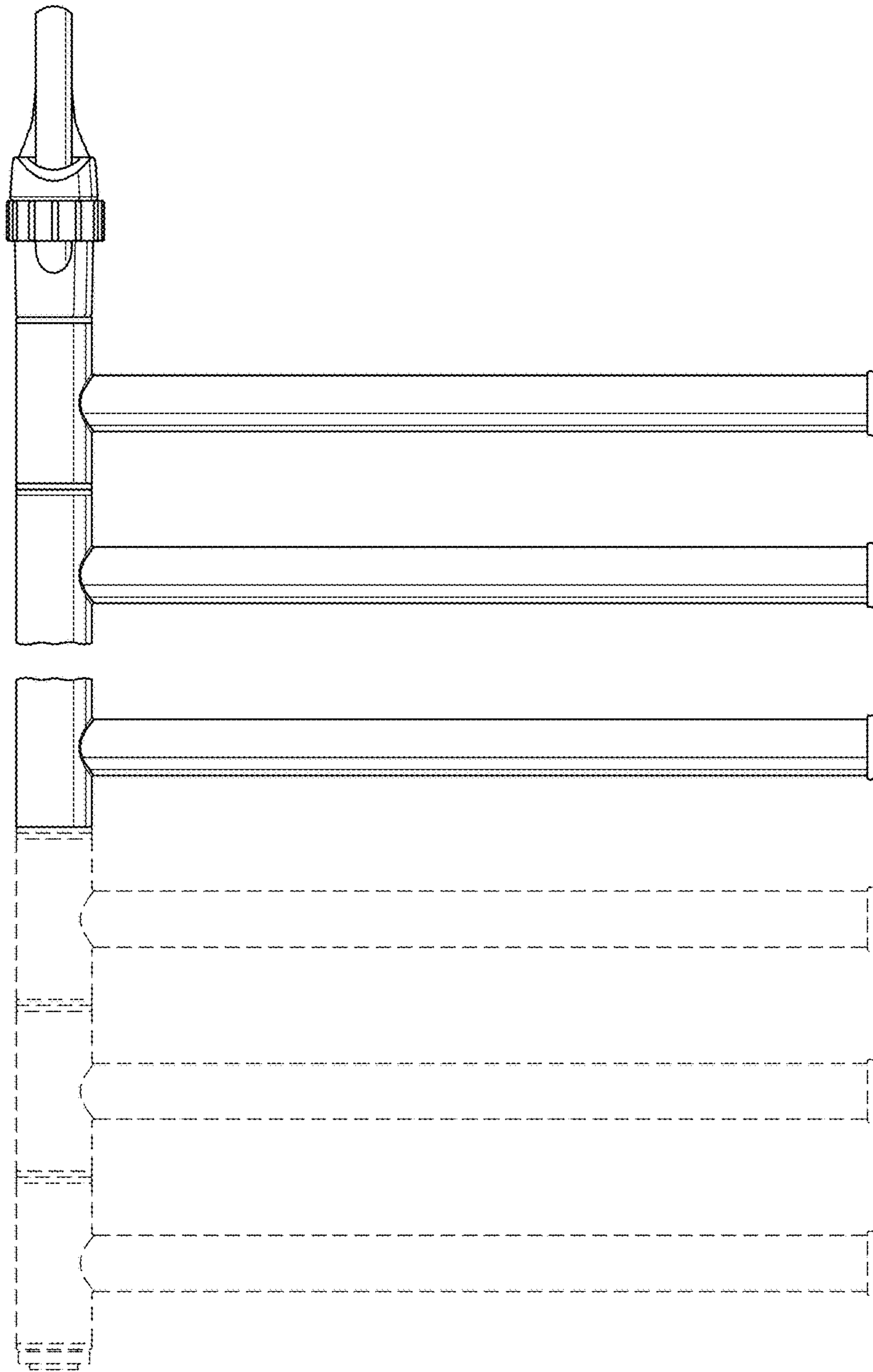


FIG. 2

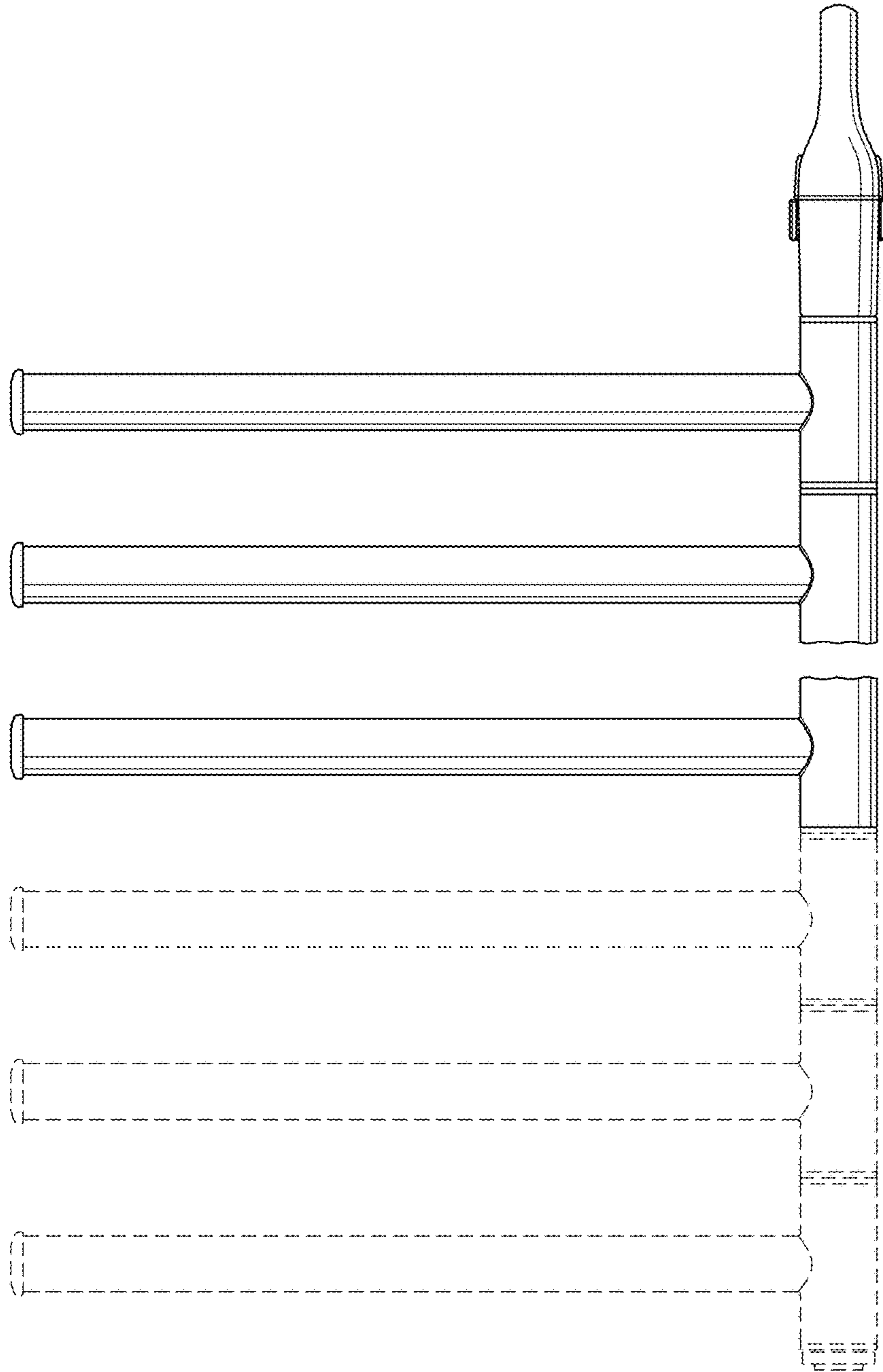


FIG. 3

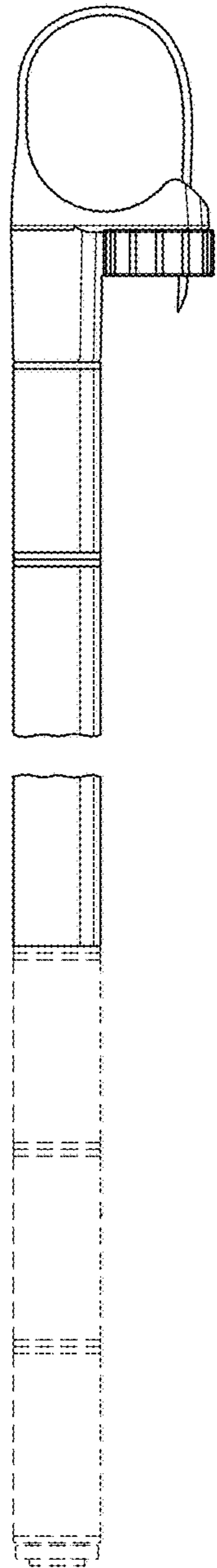


FIG. 4

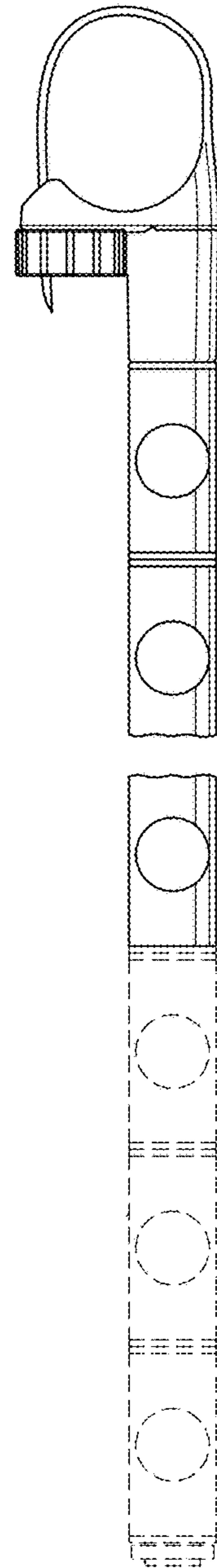


FIG. 5

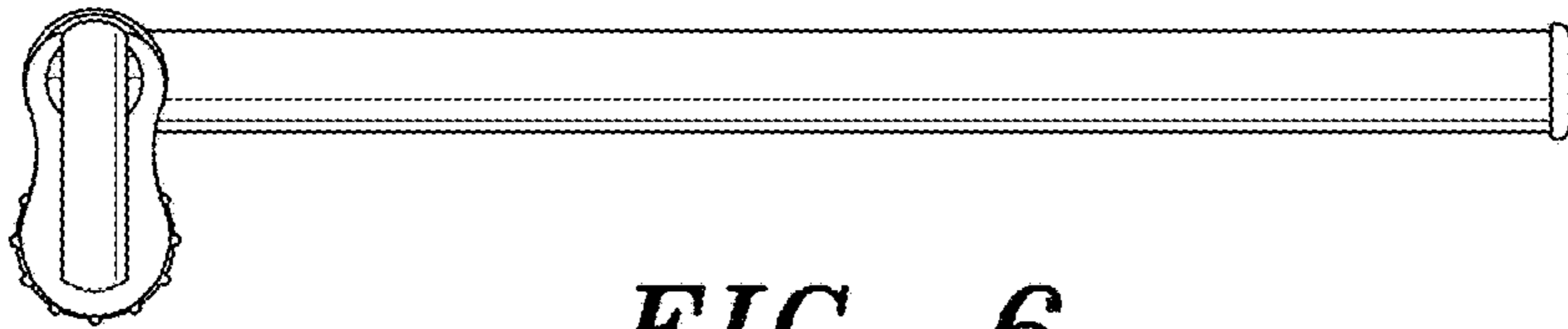


FIG. 6

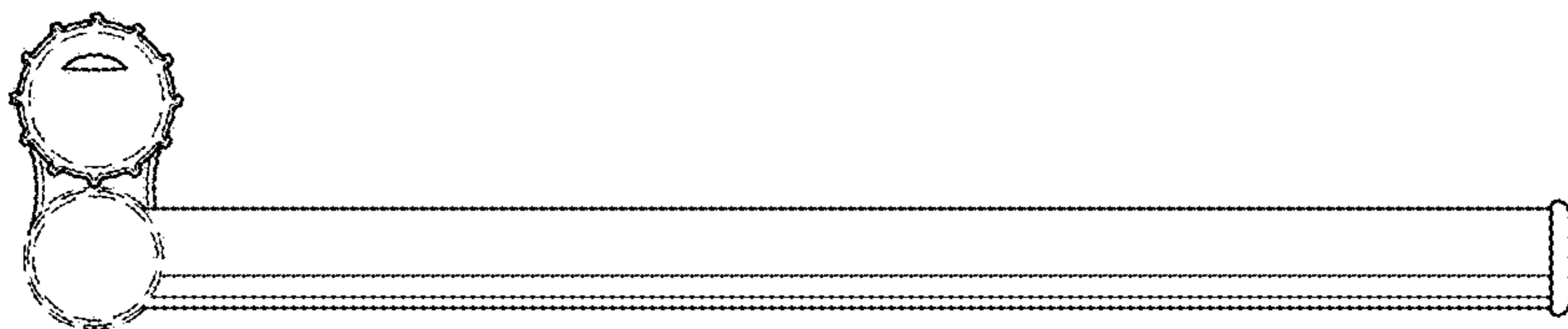


FIG. 7

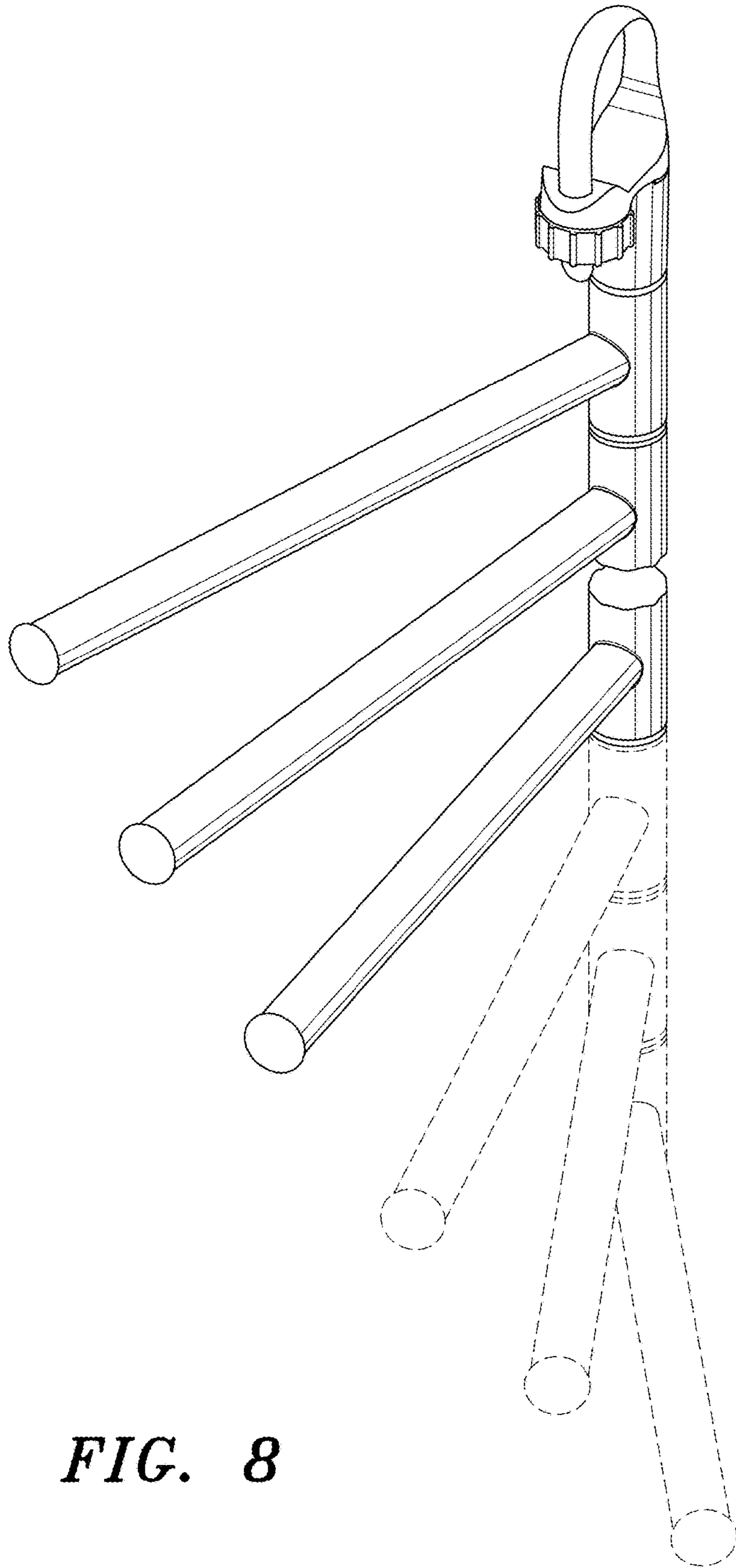


FIG. 8