



US00D788488S

(12) **United States Design Patent**  
**Terrill et al.**

(10) **Patent No.:** **US D788,488 S**  
(45) **Date of Patent:** **\*\* Jun. 6, 2017**

(54) **ADAPTOR**

**DESCRIPTION**

- (71) Applicant: **SCA Hygiene Products AB**,  
Gothenburg (SE)
- (72) Inventors: **Andrew B. Terrill**, Prairie du Sac, WI  
(US); **Lance Nehotte**, Madison, WI  
(US)
- (73) Assignee: **SCA Hygiene Products AB**,  
Gothenburg (SE)
- (\*\*) Term: **15 Years**
- (21) Appl. No.: **29/560,568**
- (22) Filed: **Apr. 7, 2016**
- (51) **LOC (10) Cl.** ..... **23-02**
- (52) **U.S. Cl.**  
USPC ..... **D6/523**
- (58) **Field of Classification Search**  
USPC ..... D6/515, 518-523; D3/201; 206/389,  
206/391, 407, 409; 312/34.1, 34.8;  
(Continued)

(56) **References Cited**

**U.S. PATENT DOCUMENTS**

- 3,722,929 A \* 3/1973 Gilman ..... B65H 75/08  
242/571.5
- 4,298,122 A \* 11/1981 Ekelund ..... B65H 75/28  
206/227

(Continued)

*Primary Examiner* — David Muller

*Assistant Examiner* — Nathan Johnston

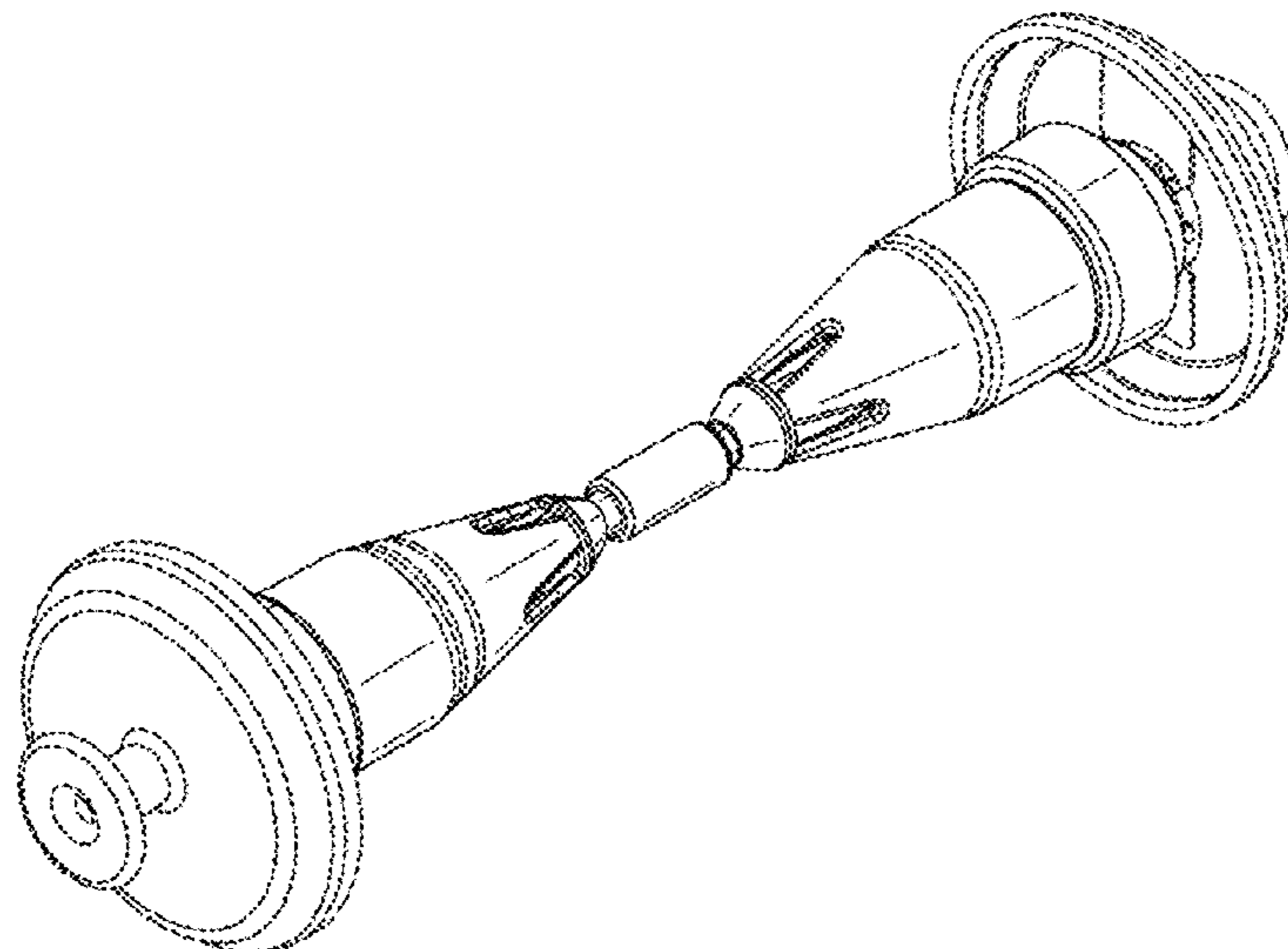
(74) *Attorney, Agent, or Firm* — Buchanan, Ingersoll &  
Rooney PC

(57) **CLAIM**

The ornamental design for an adaptor, as shown and described.

FIG. 1 is a front, left side and top perspective view of an adaptor showing a first embodiment of our new design.  
 FIG. 2 is a front elevational view thereof, the rear elevational view being a mirror image thereof.  
 FIG. 3 is a left side elevational view thereof, the other side being a mirror image thereof.  
 FIG. 4 is a front, right side and bottom perspective view thereof.  
 FIG. 5 is a front, left side and top perspective view of the adaptor shown in FIG. 1 showing our new design in a different environment.  
 FIG. 6 is a front elevational view thereof, the rear elevational view being a mirror image thereof.  
 FIG. 7 is a left side elevational view thereof, the other side being a mirror image thereof.  
 FIG. 8 is a front, right side and bottom perspective view thereof.  
 FIG. 9 is a front, left side and top perspective view of an adaptor showing a second embodiment of our new design.  
 FIG. 10 is a front elevational view thereof, the rear elevational view being a mirror image thereof.  
 FIG. 11 is a left side elevational view thereof, the other side being a mirror image thereof.  
 FIG. 12 is a front, right side and bottom perspective view thereof.  
 FIG. 13 is a front, left side and top perspective view of the adaptor shown in FIG. 1 showing our new design in a different environment.  
 FIG. 14 is a front elevational view thereof, the rear elevational view being a mirror image thereof.  
 FIG. 15 is a left side elevational view thereof, the other side being a mirror image thereof; and,  
 FIG. 16 is a front, right side and bottom perspective view thereof.  
 The broken line showing of portions of the adaptor is for environmental purposes only and forms no part of the claimed design.

**1 Claim, 8 Drawing Sheets**



(58) **Field of Classification Search**

USPC .... 211/16, 85.5, 59.2; 221/92, 97, 185, 282,  
221/284; 242/159, 160.2, 550, 560, 590,  
242/594, 59, 588, 598, 598.3, 598.65

CPC ..... A47K 10/38; A47K 2010/3206; A47K  
10/3612; A47K 10/3625; A47K 10/3662

See application file for complete search history.

(56) **References Cited**

U.S. PATENT DOCUMENTS

D303,887 S \* 10/1989 Reid ..... 52/831  
D325,486 S \* 4/1992 Goldstein ..... D6/518  
5,495,997 A \* 3/1996 Moody ..... A47K 10/38  
242/560  
5,669,576 A \* 9/1997 Moody ..... A47K 10/38  
242/560.3  
D563,707 S \* 3/2008 Lee ..... D6/549  
7,828,240 B2 \* 11/2010 Hagleitner ..... A47K 10/38  
242/598.3  
7,905,444 B2 \* 3/2011 Chen ..... B41J 35/28  
242/571.3  
8,096,495 B2 \* 1/2012 Billman ..... A47K 10/40  
242/598.3  
D666,038 S \* 8/2012 Wilkins ..... D6/523  
D697,332 S \* 1/2014 Huang ..... D6/518  
2014/0263112 A1 \* 9/2014 Bird ..... A47F 1/04  
211/59.2

\* cited by examiner

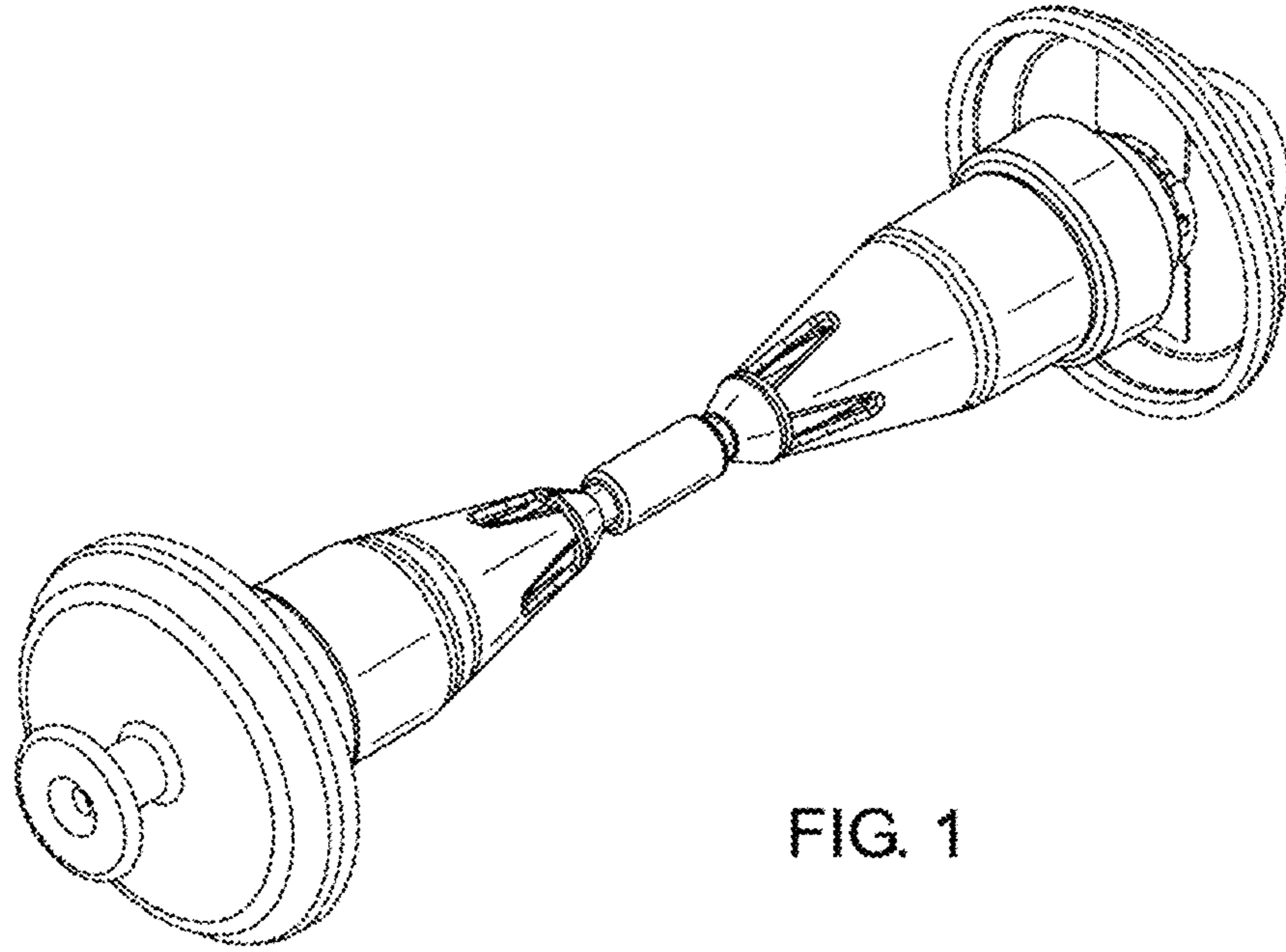


FIG. 1

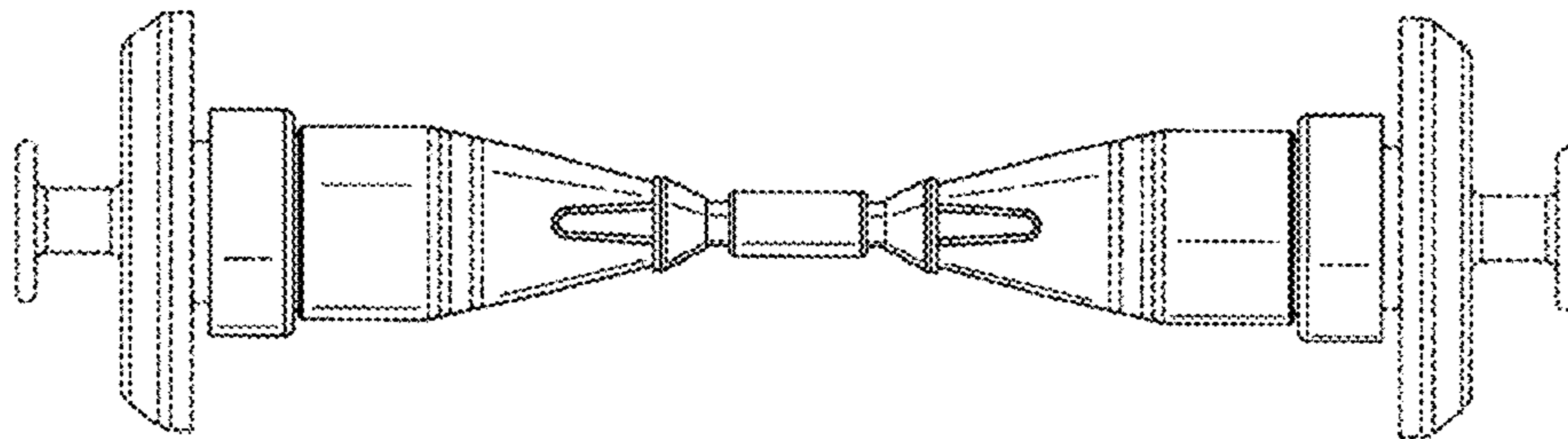


FIG. 2

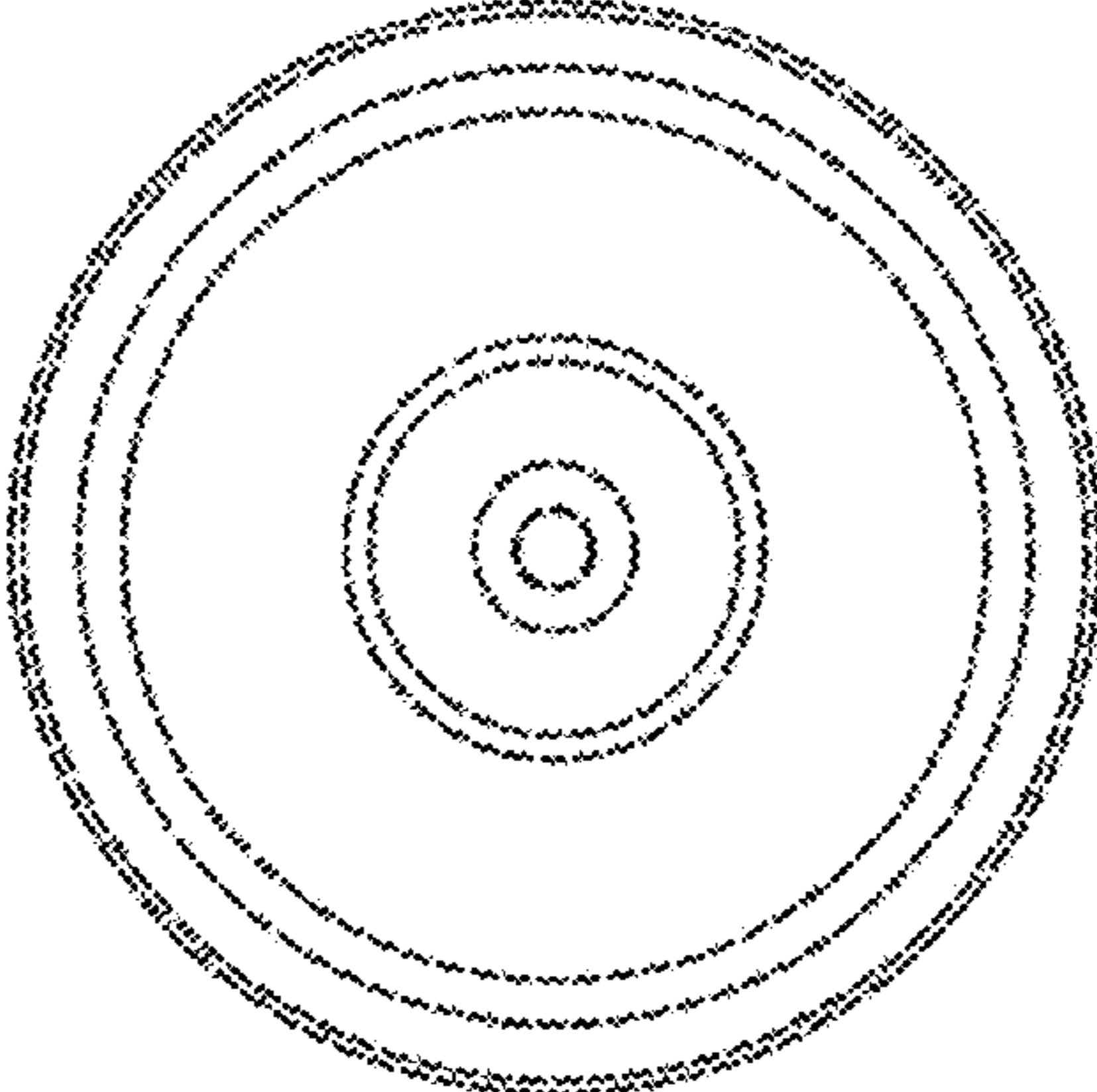


FIG. 3

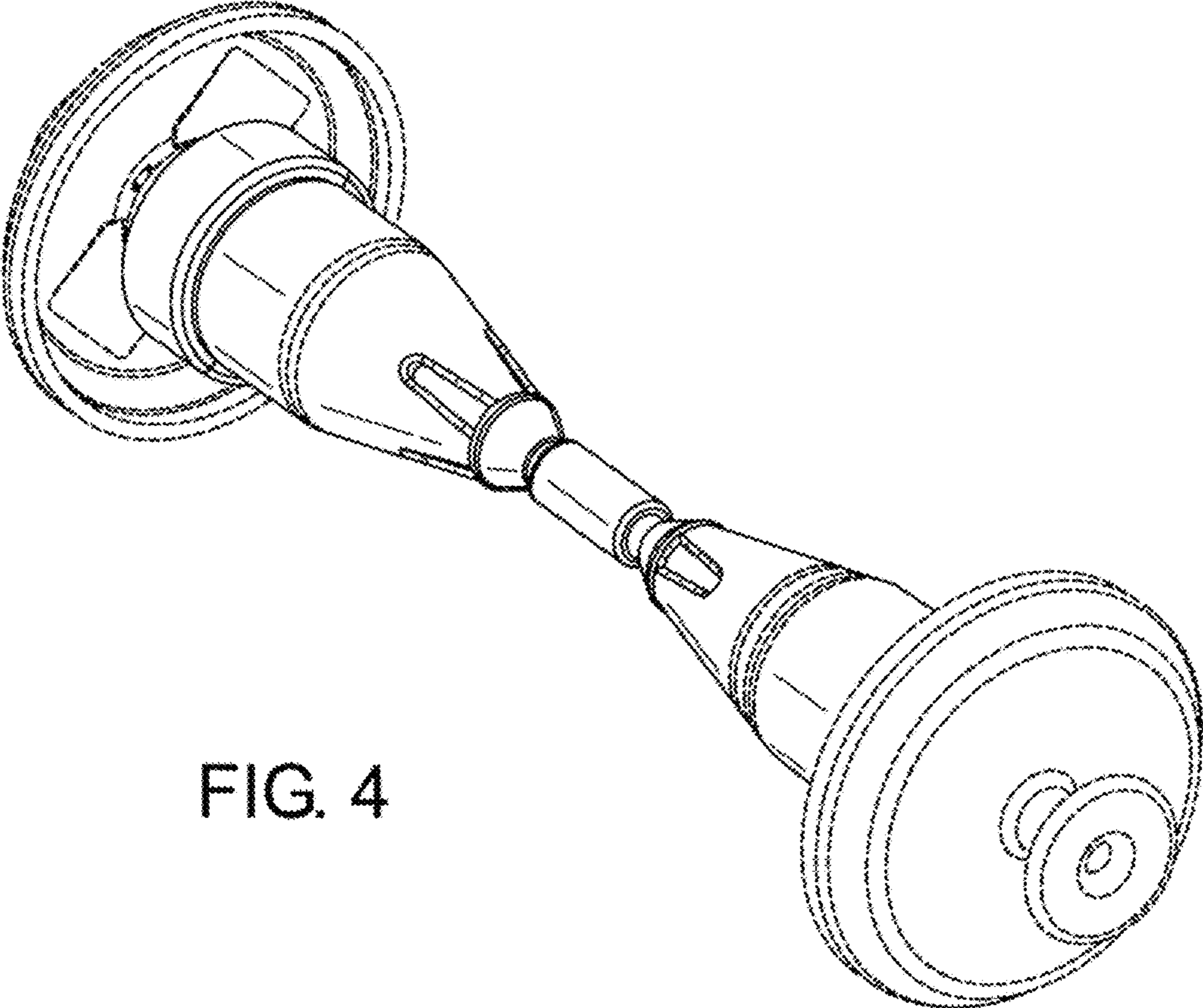
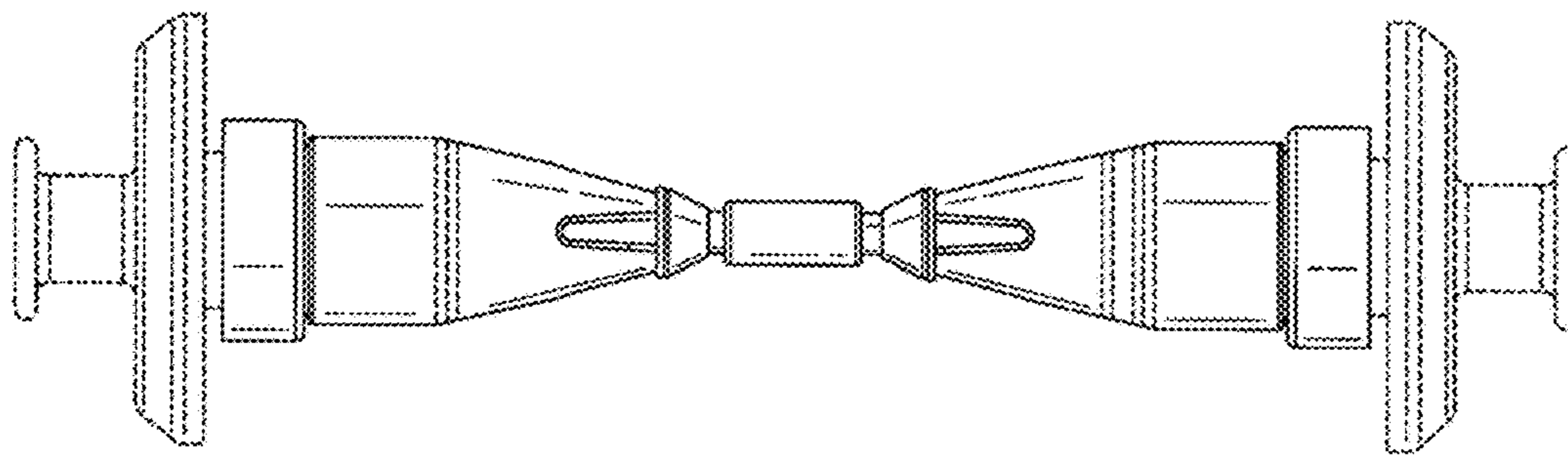
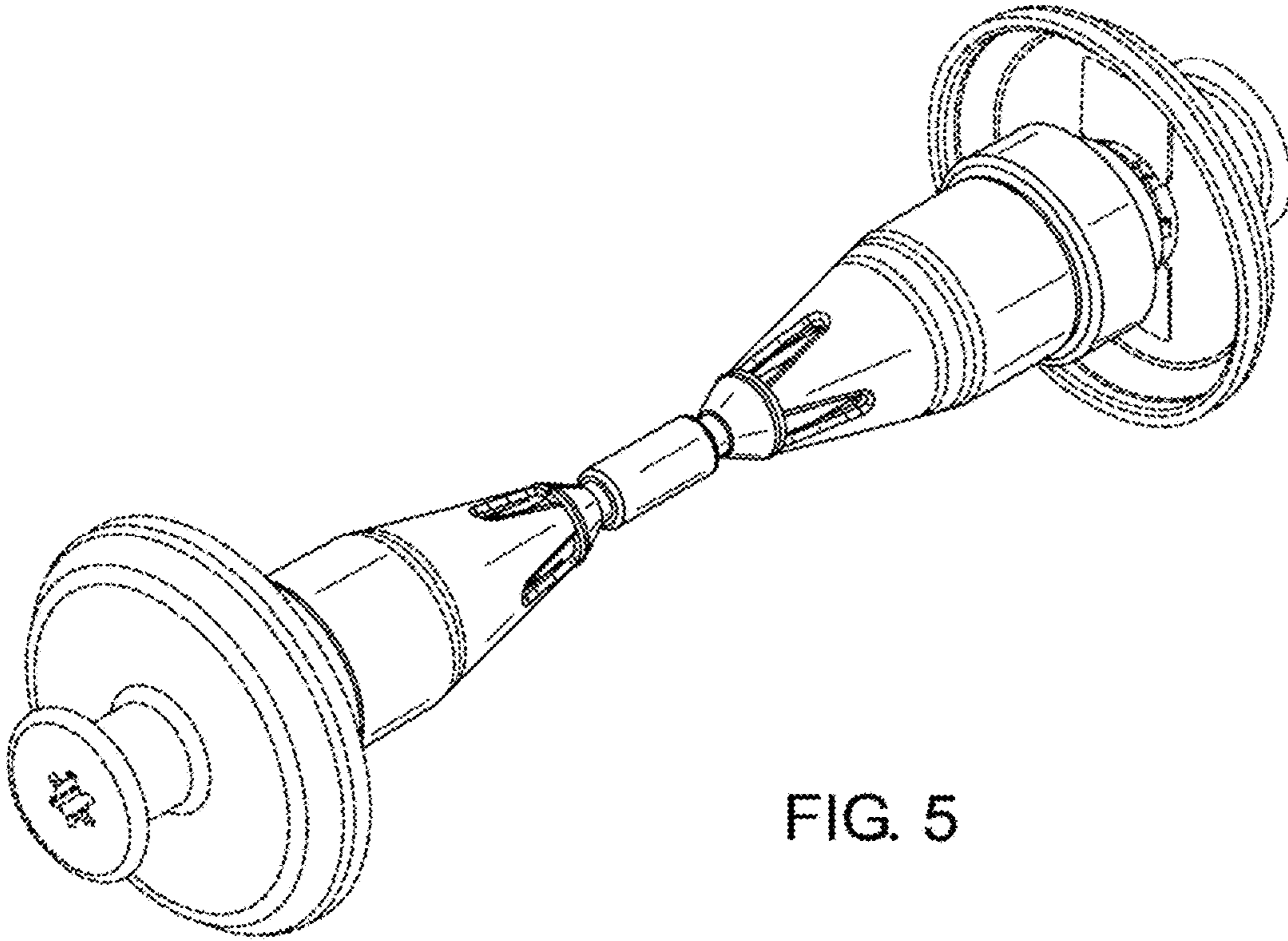


FIG. 4



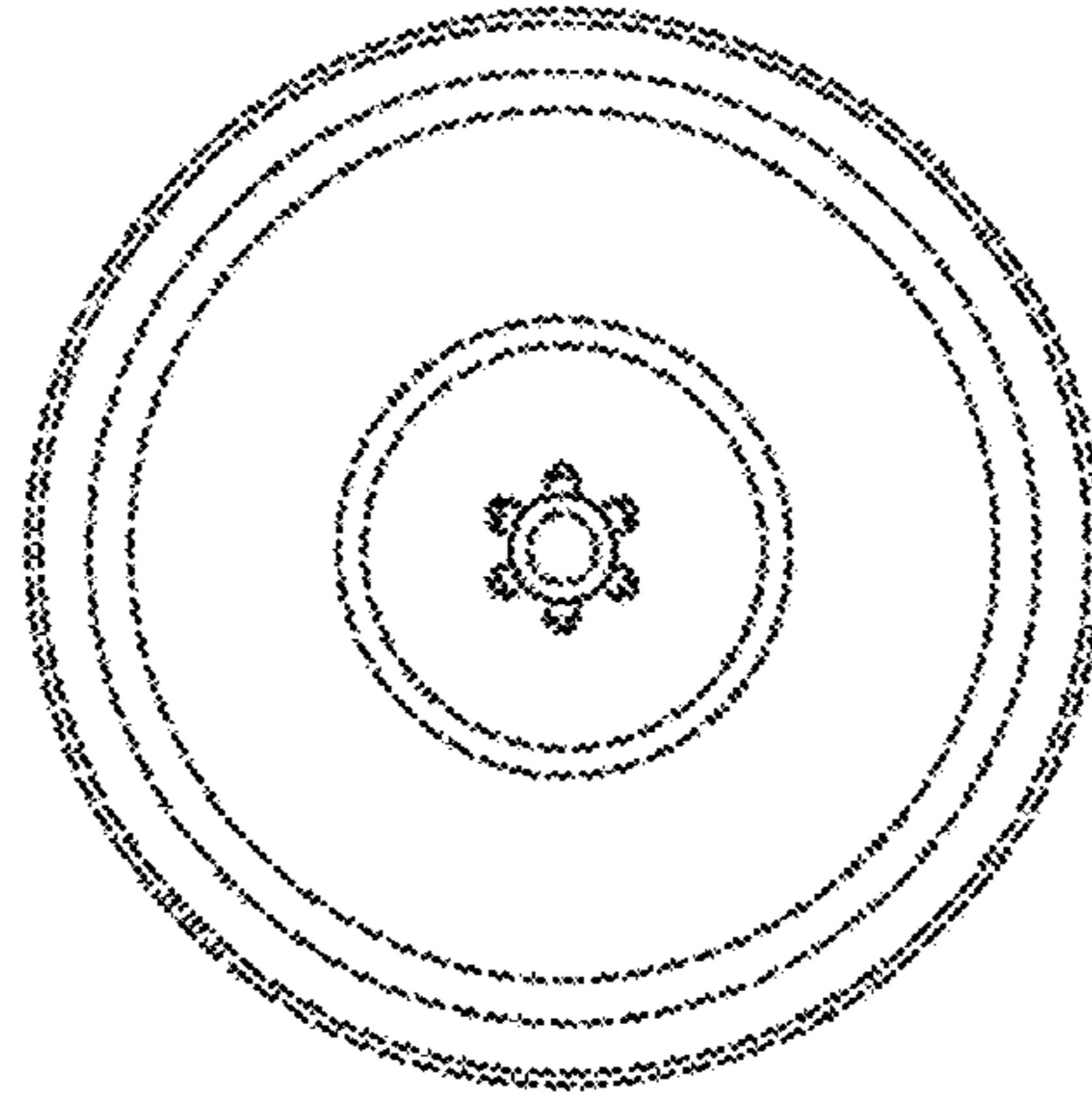


FIG. 7

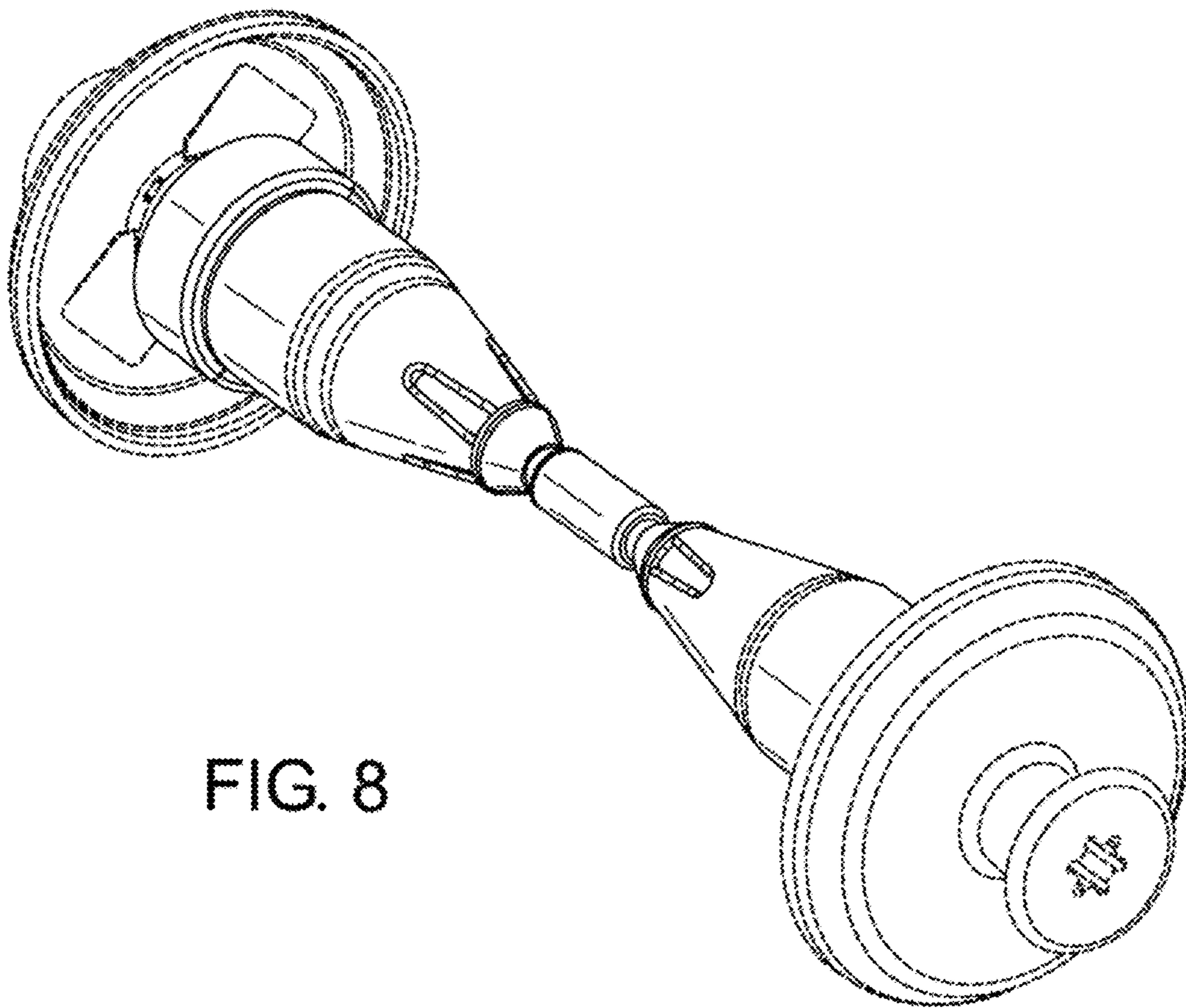


FIG. 8

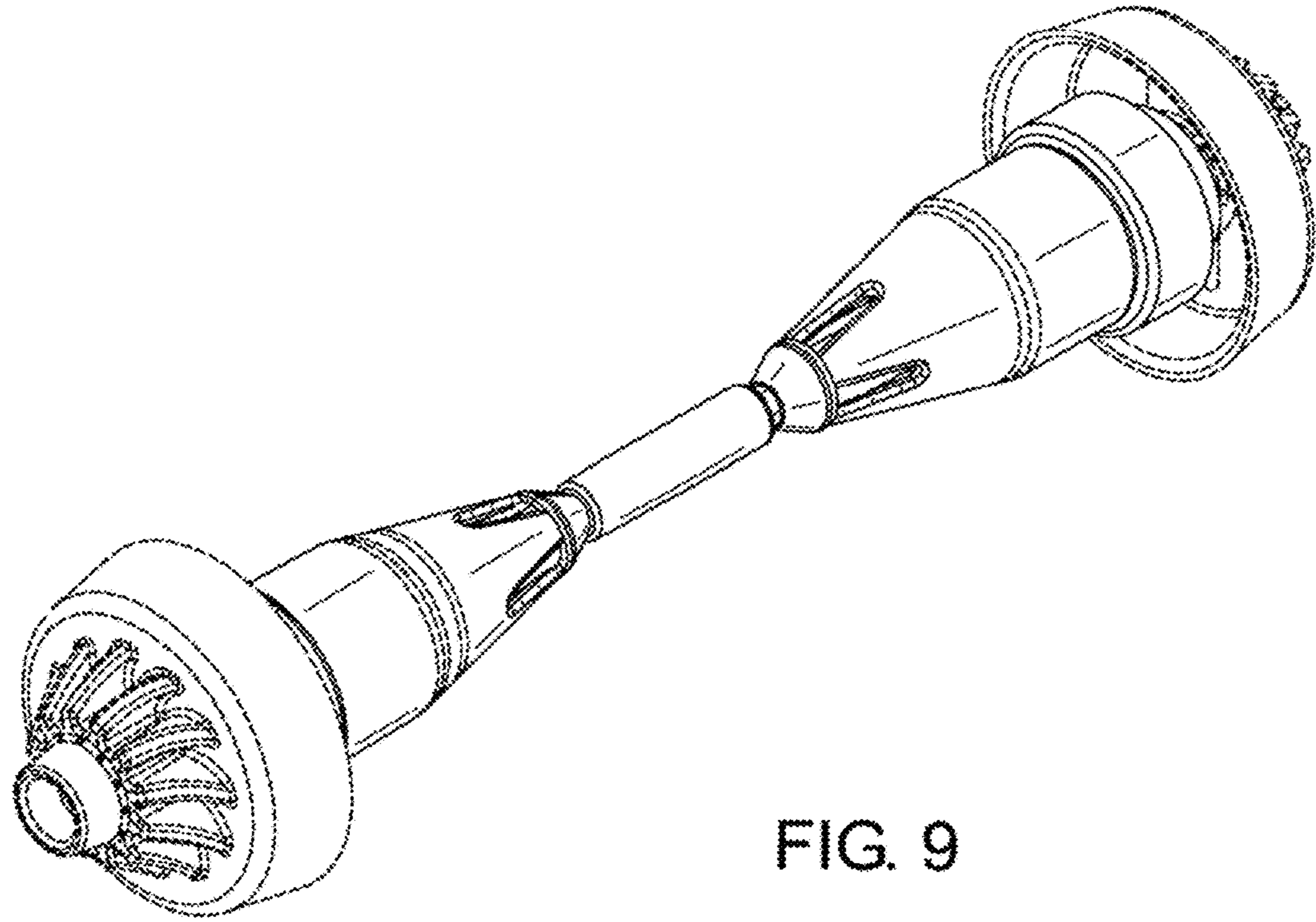


FIG. 9

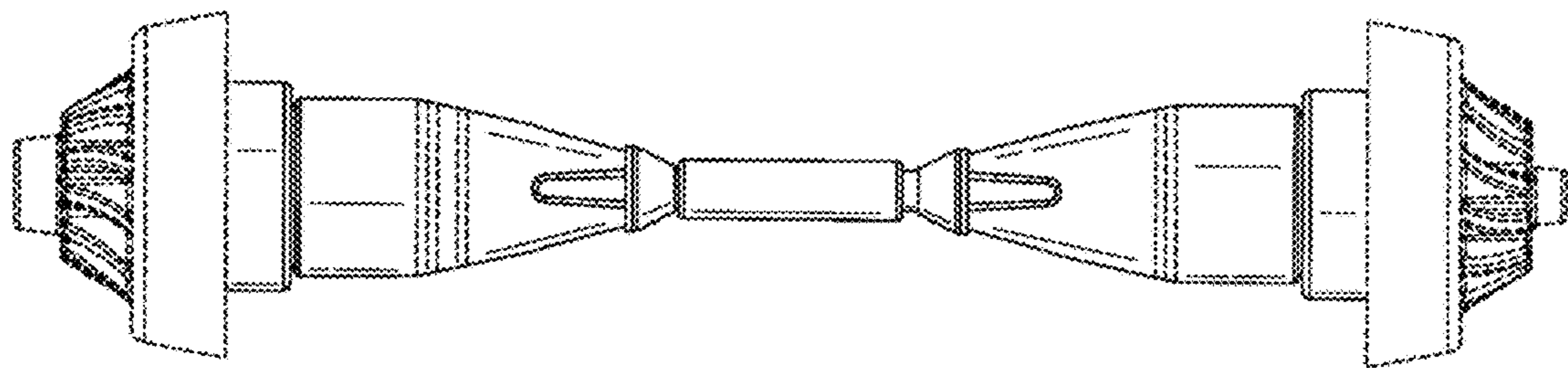


FIG. 10

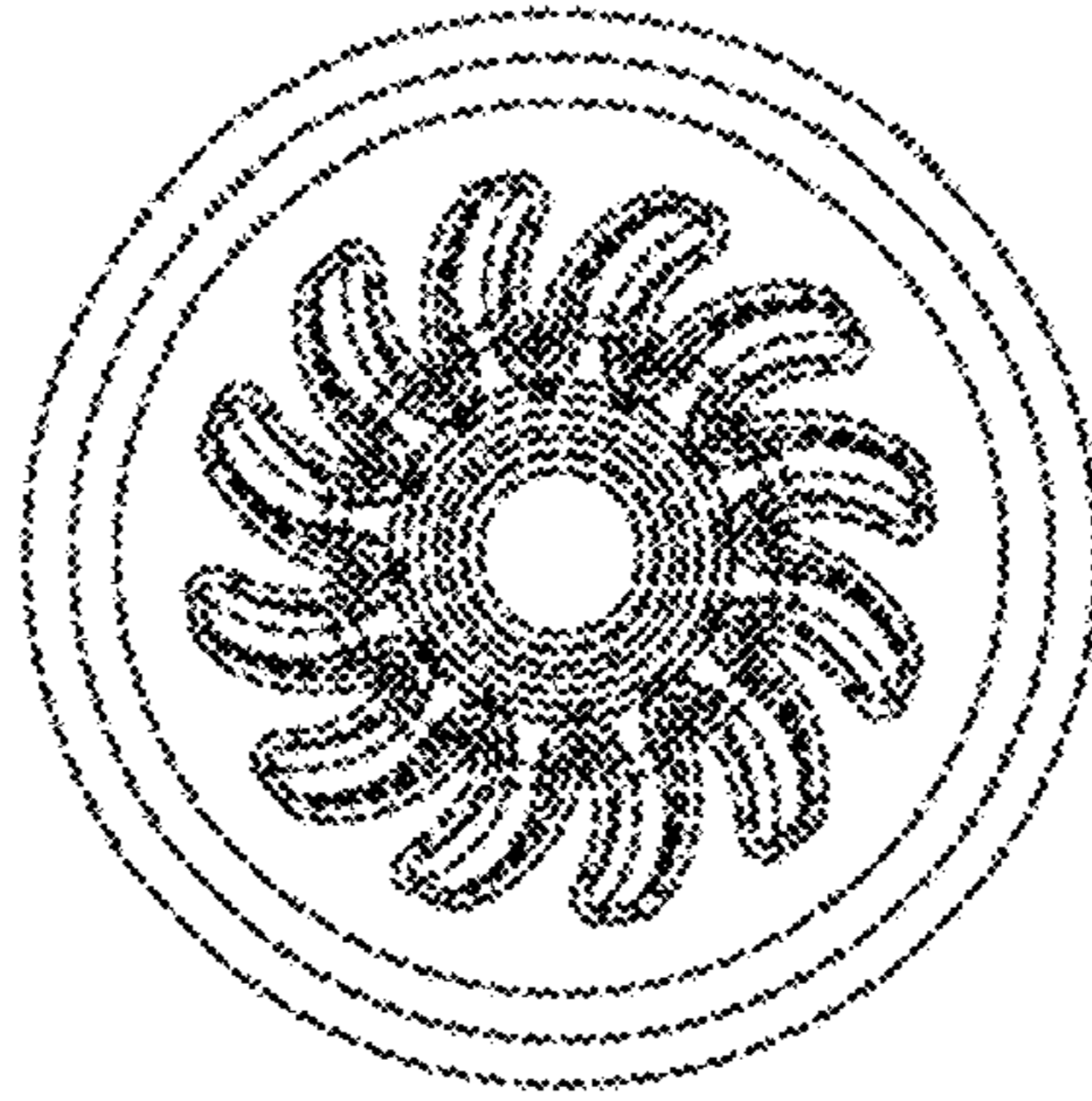


FIG. 11

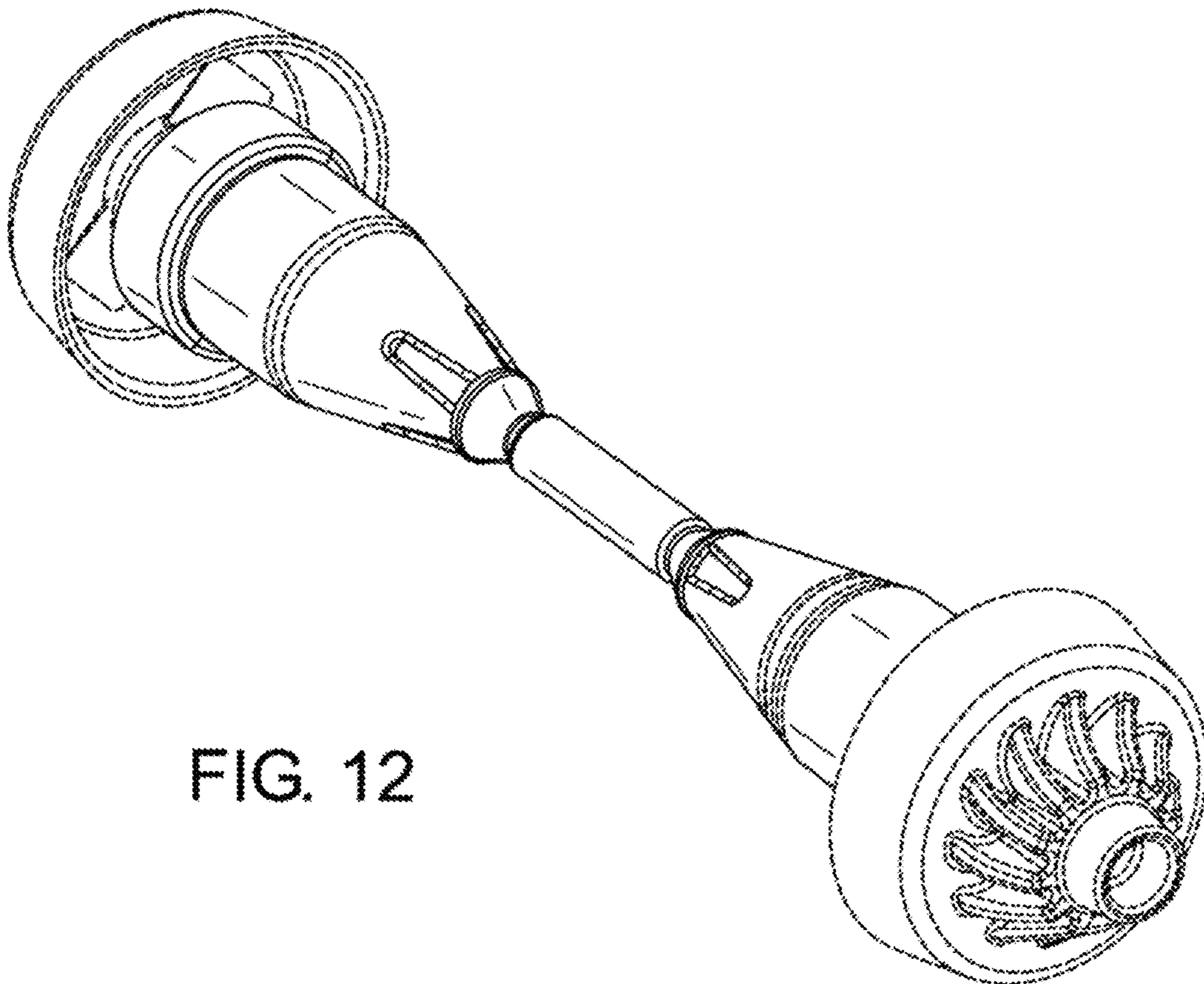


FIG. 12



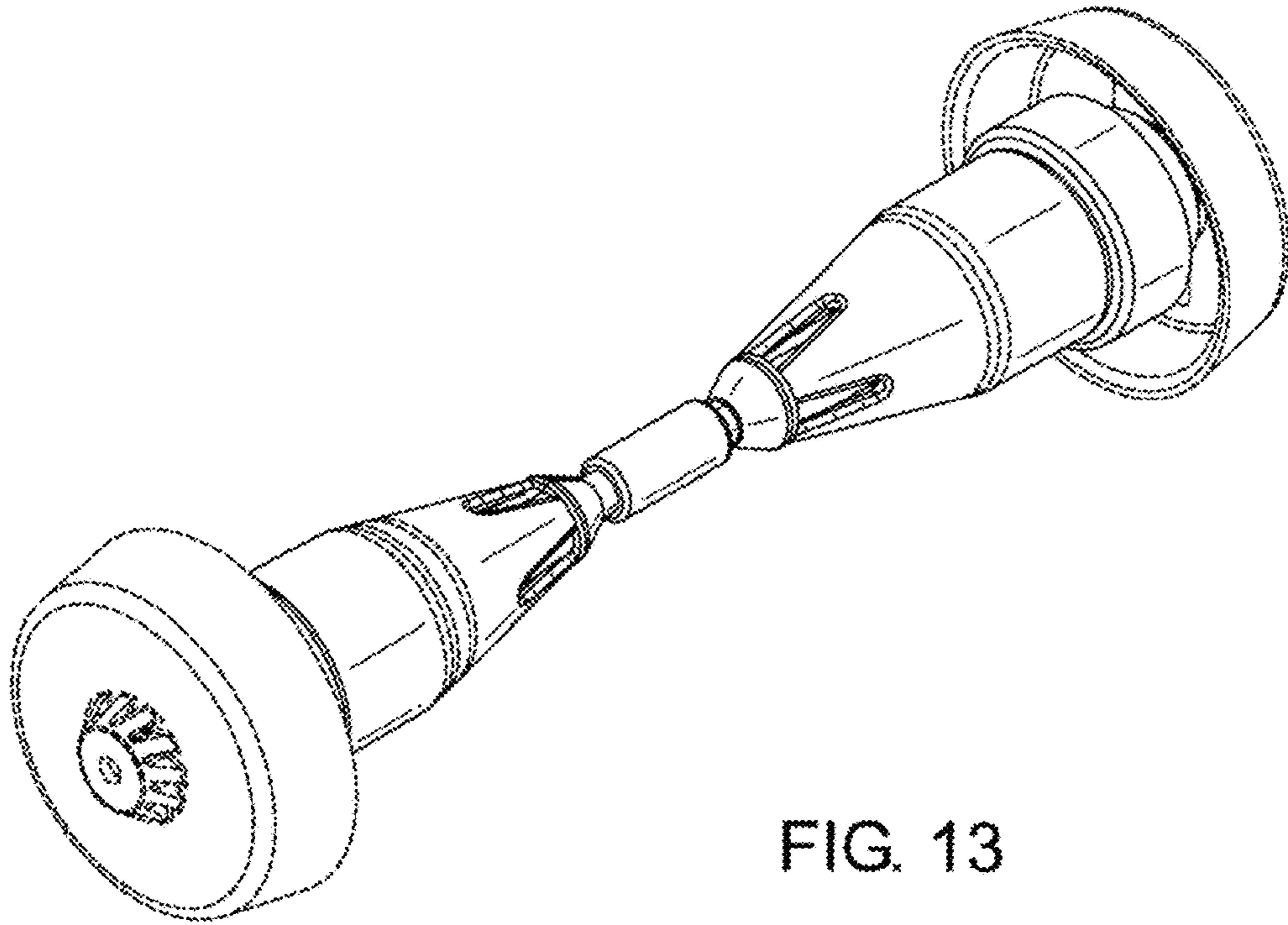


FIG. 13

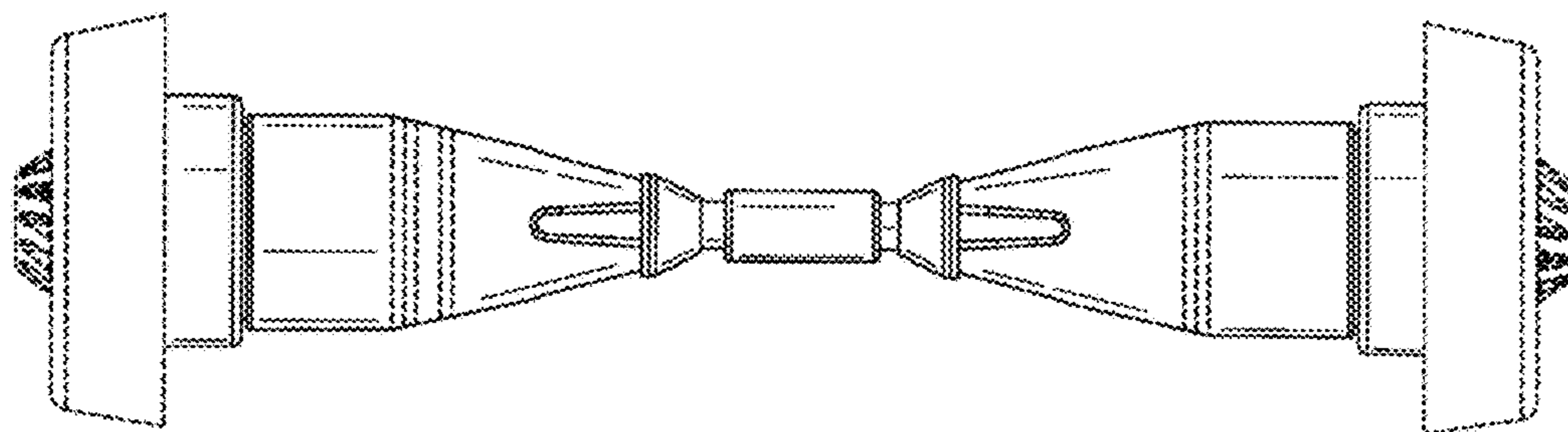


FIG. 14

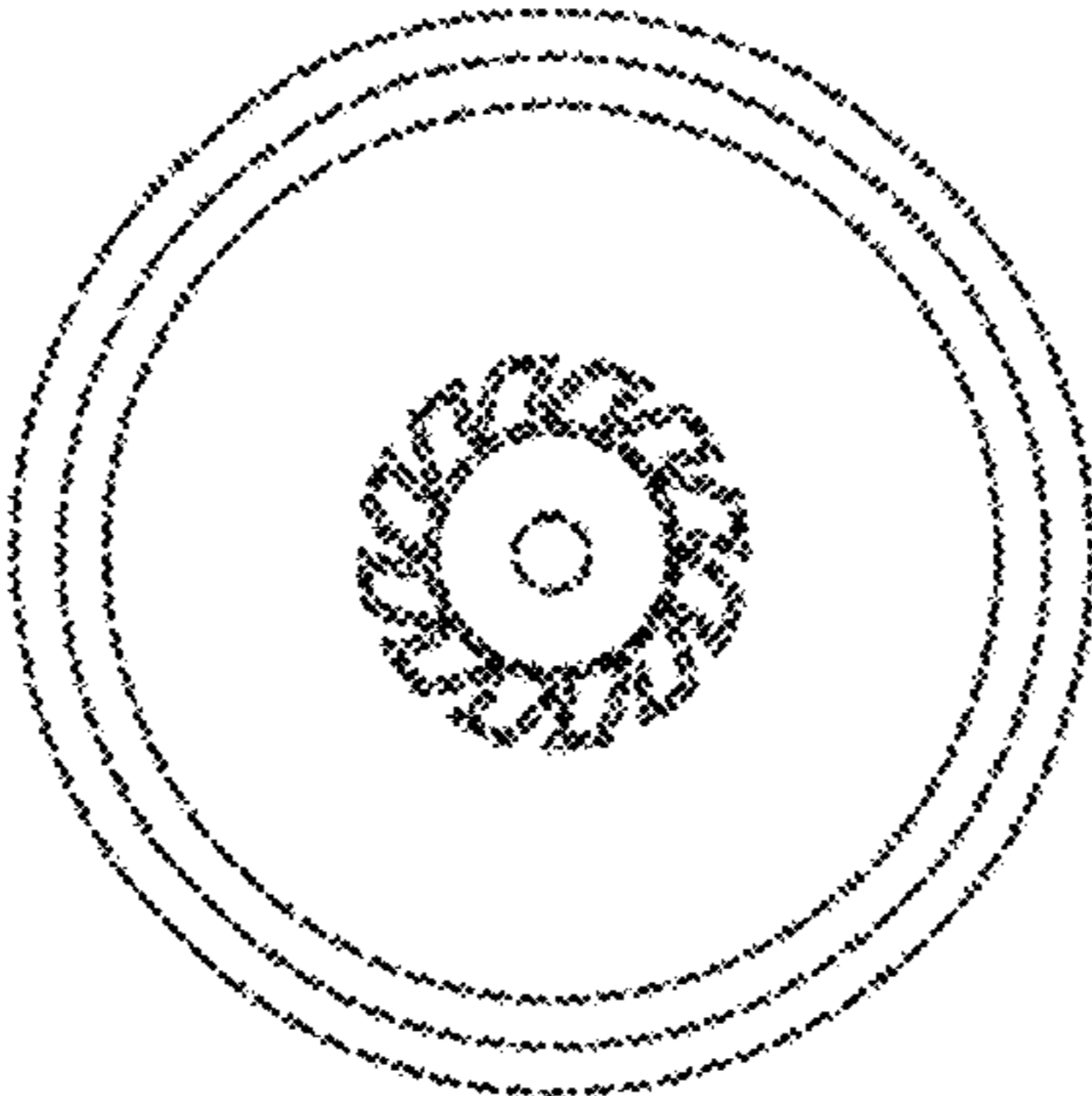


FIG. 15

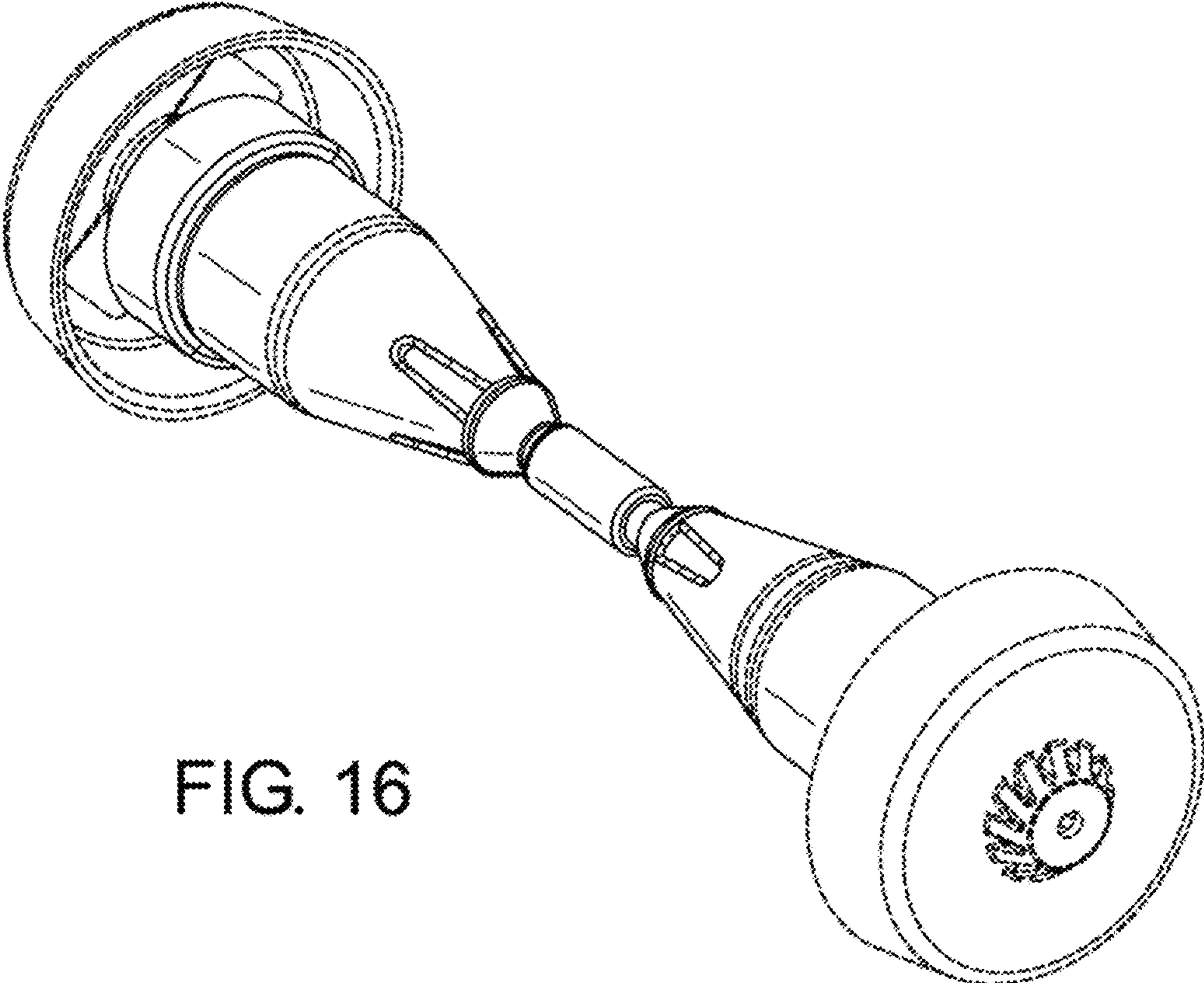


FIG. 16