



US00D788486S

(12) **United States Design Patent**  
**Terrill et al.**

(10) **Patent No.:** **US D788,486 S**  
(45) **Date of Patent:** **\*\* Jun. 6, 2017**

- (54) **ADAPTOR**
- (71) Applicant: **SCA Hygiene Products AB**,  
Gothenburg (SE)
- (72) Inventors: **Andrew B. Terrill**, Prairie du Sac, WI  
(US); **Lance Nehotte**, Madison, WI  
(US)
- (73) Assignee: **SCA Hygiene Products AB**,  
Gothenburg (SE)
- (\*\*) Term: **15 Years**
- (21) Appl. No.: **29/560,556**
- (22) Filed: **Apr. 7, 2016**
- (51) **LOC (10) Cl.** ..... **23-02**
- (52) **U.S. Cl.**  
USPC ..... **D6/523**
- (58) **Field of Classification Search**  
USPC ..... D6/515, 518-523; D3/201; 206/389,  
206/391, 407, 409; 312/34.1, 34.8;  
211/16, 85.5, 59.2; 221/92, 97, 185, 282,  
221/284; 242/159, 160.2, 550, 560, 590,  
242/594, 59, 588, 598, 598.3, 598.65  
CPC ..... A47K 10/38; A47K 2010/3206; A47K  
10/3612; A47K 10/3625; A47K 10/3662  
See application file for complete search history.

- D563,707 S \* 3/2008 Lee ..... D6/549
  - 7,828,240 B2 \* 11/2010 Hagleitner ..... A47K 10/38  
242/598.3
  - 7,905,444 B2 \* 3/2011 Chen ..... B41J 35/28  
242/571.3
  - 8,096,495 B2 \* 1/2012 Billman ..... A47K 10/40  
242/598.3
  - D666,038 S \* 8/2012 Wilkins ..... D6/523
- (Continued)

*Primary Examiner* — David Muller  
*Assistant Examiner* — Nathan Johnston  
 (74) *Attorney, Agent, or Firm* — Buchanan, Ingersoll &  
 Rooney PC

(57) **CLAIM**

The ornamental design for an adaptor, as shown and described.

**DESCRIPTION**

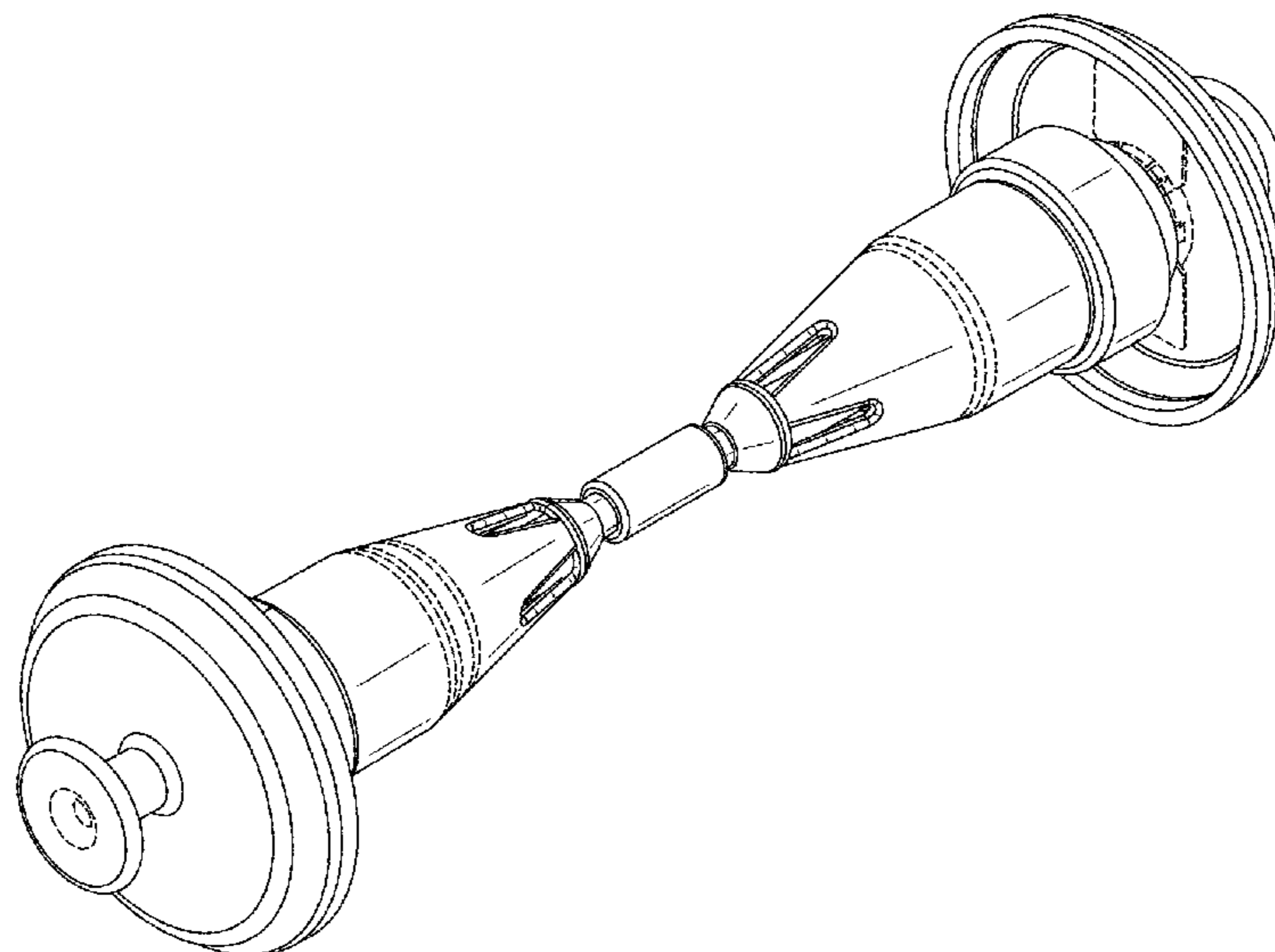
FIG. 1 is a front, left side and top perspective view of an adaptor showing a first embodiment of our new design. FIG. 2 is a front elevational view thereof, the rear elevational view being a mirror image thereof. FIG. 3 is a left side elevational view thereof, the other side being a mirror image thereof. FIG. 4 is a front, right side and bottom perspective view thereof. FIG. 5 is a front, left side and top perspective view of an adaptor showing a second embodiment of our new design. FIG. 6 is a front elevational view thereof, the rear elevational view being a mirror image thereof. FIG. 7 is a left side elevational view thereof, the other side being a mirror image thereof; and, FIG. 8 is a front, right side and bottom perspective view thereof. The broken line showing in the drawings is included for environmental purposes only to illustrate portions of the adaptor and forms no part of the claimed design.

**1 Claim, 4 Drawing Sheets**

(56) **References Cited**

U.S. PATENT DOCUMENTS

- 3,722,929 A \* 3/1973 Gilman ..... B65H 75/08  
242/571.5
- 4,298,122 A \* 11/1981 Ekelund ..... B65H 75/28  
206/227
- D303,887 S \* 10/1989 Reid ..... 52/831
- D325,486 S \* 4/1992 Goldstein ..... D6/518
- 5,495,997 A \* 3/1996 Moody ..... A47K 10/38  
242/560
- 5,669,576 A \* 9/1997 Moody ..... A47K 10/38  
242/560.3



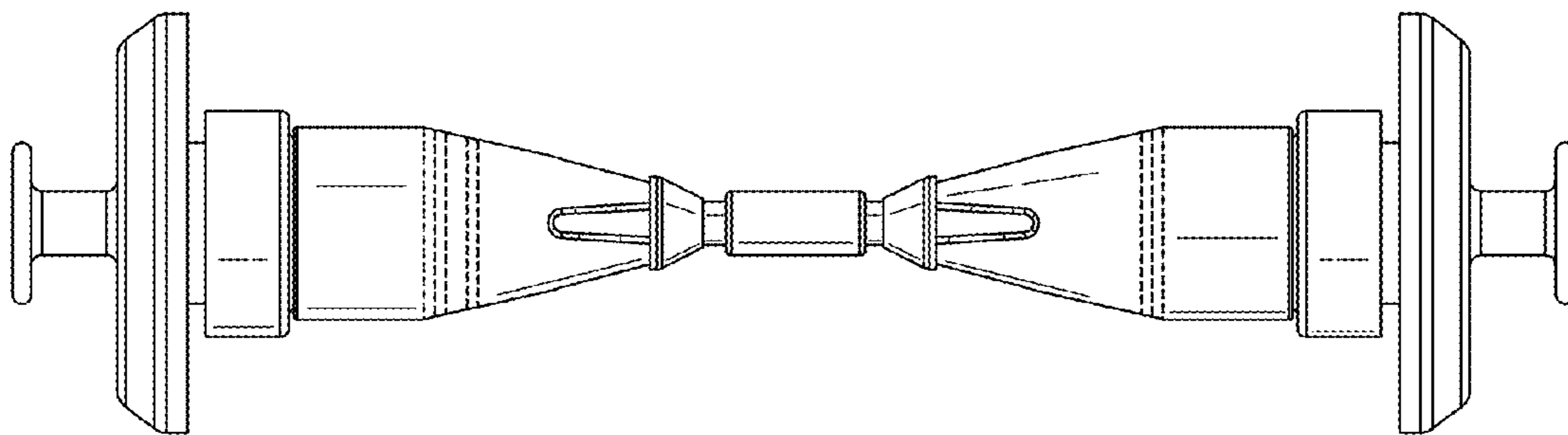
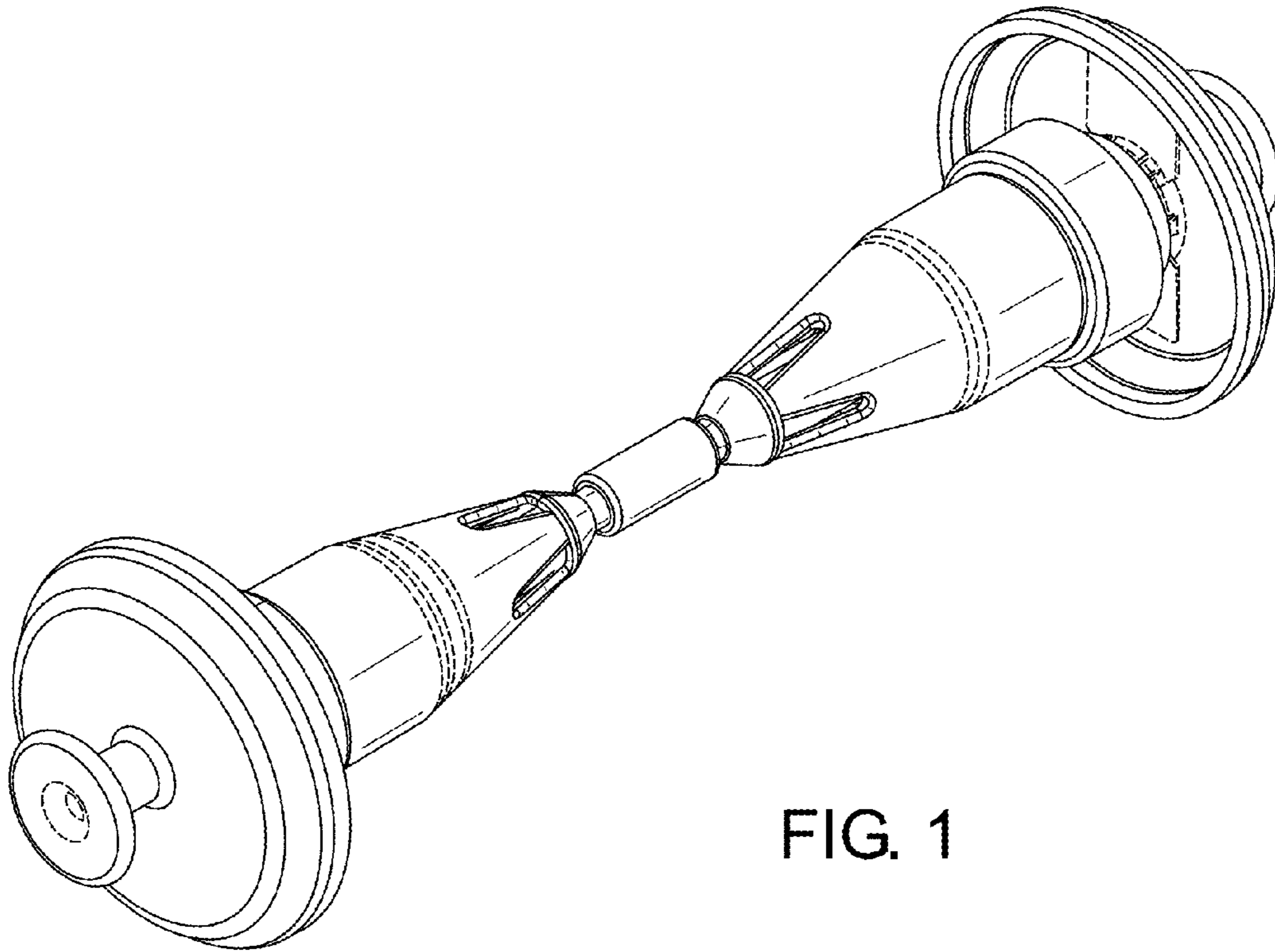
(56)

**References Cited**

U.S. PATENT DOCUMENTS

D697,332 S *	1/2014	Huang .....	D6/518
2014/0263112 A1 *	9/2014	Bird .....	A47F 1/04 211/59.2

\* cited by examiner



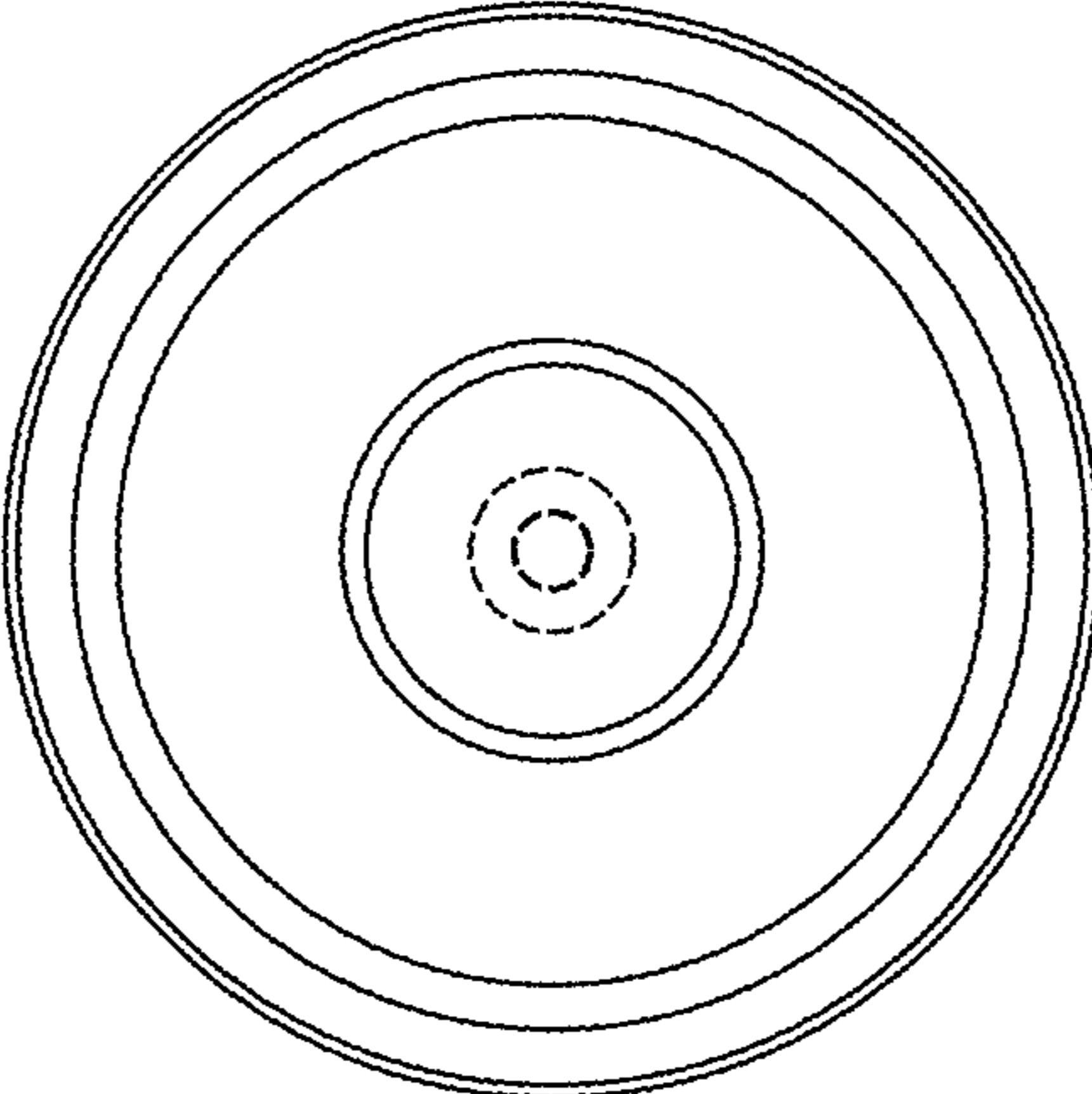


FIG. 3

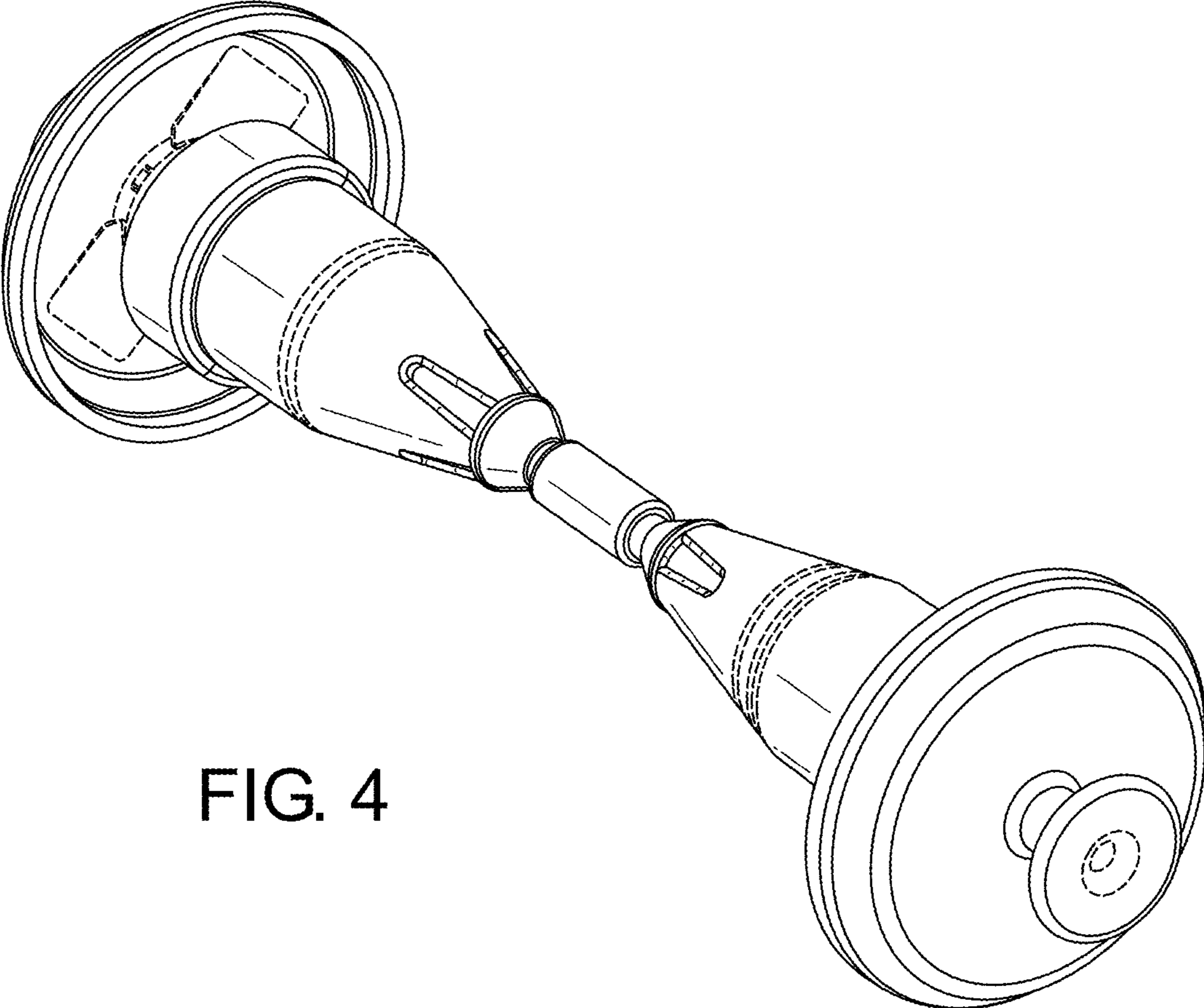


FIG. 4

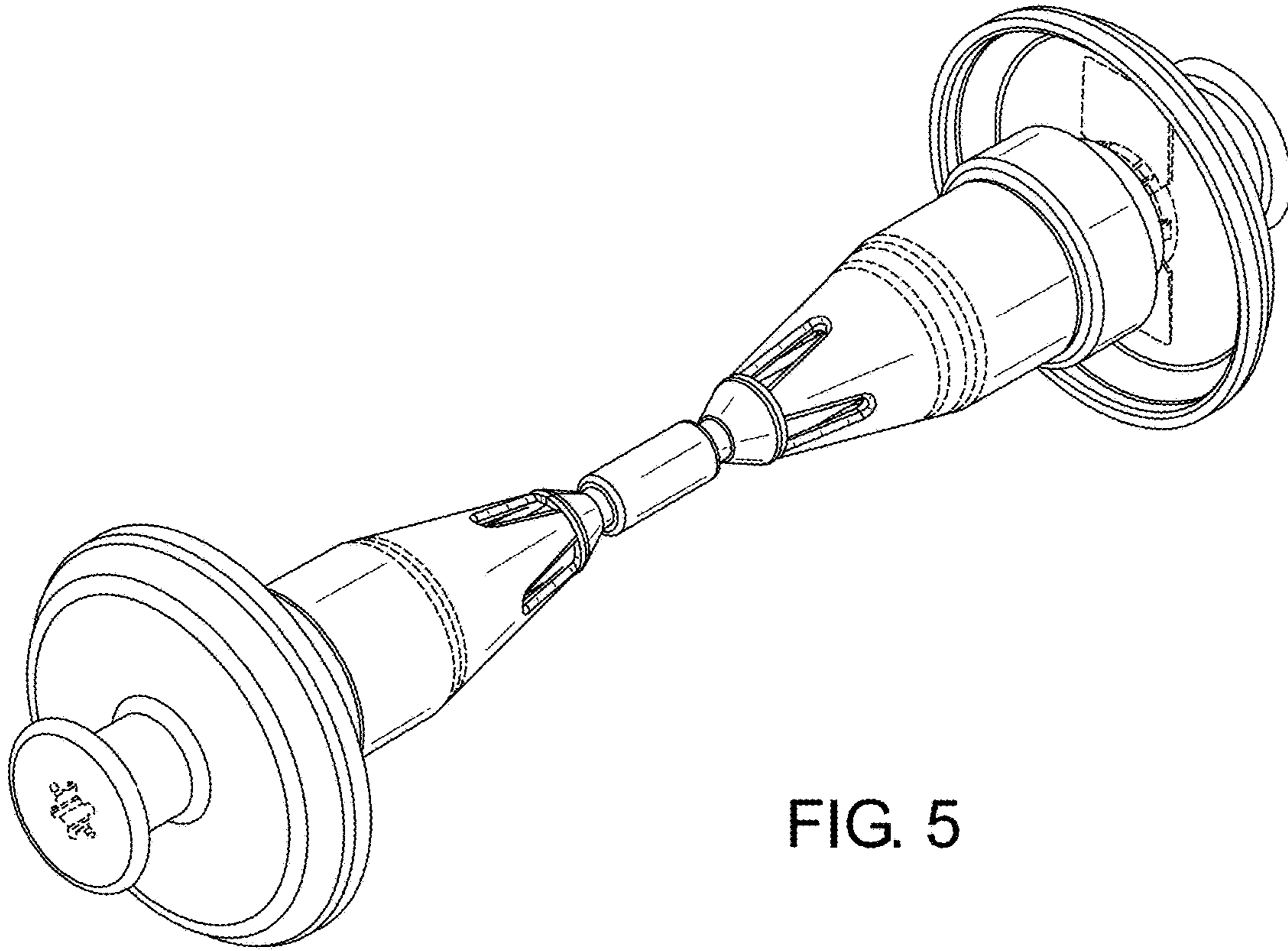


FIG. 5

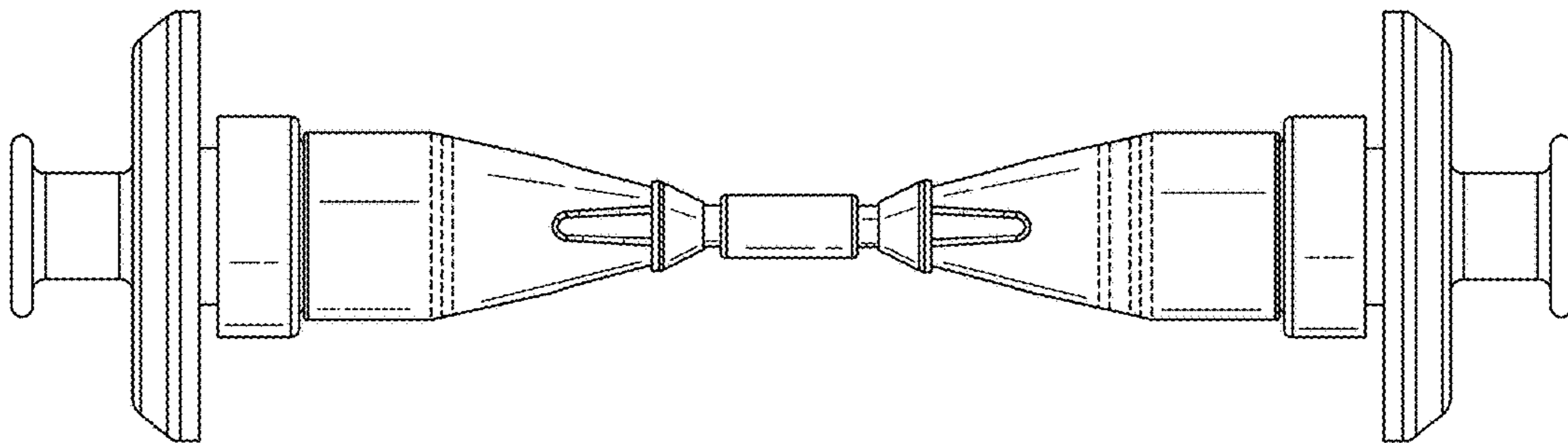


FIG. 6

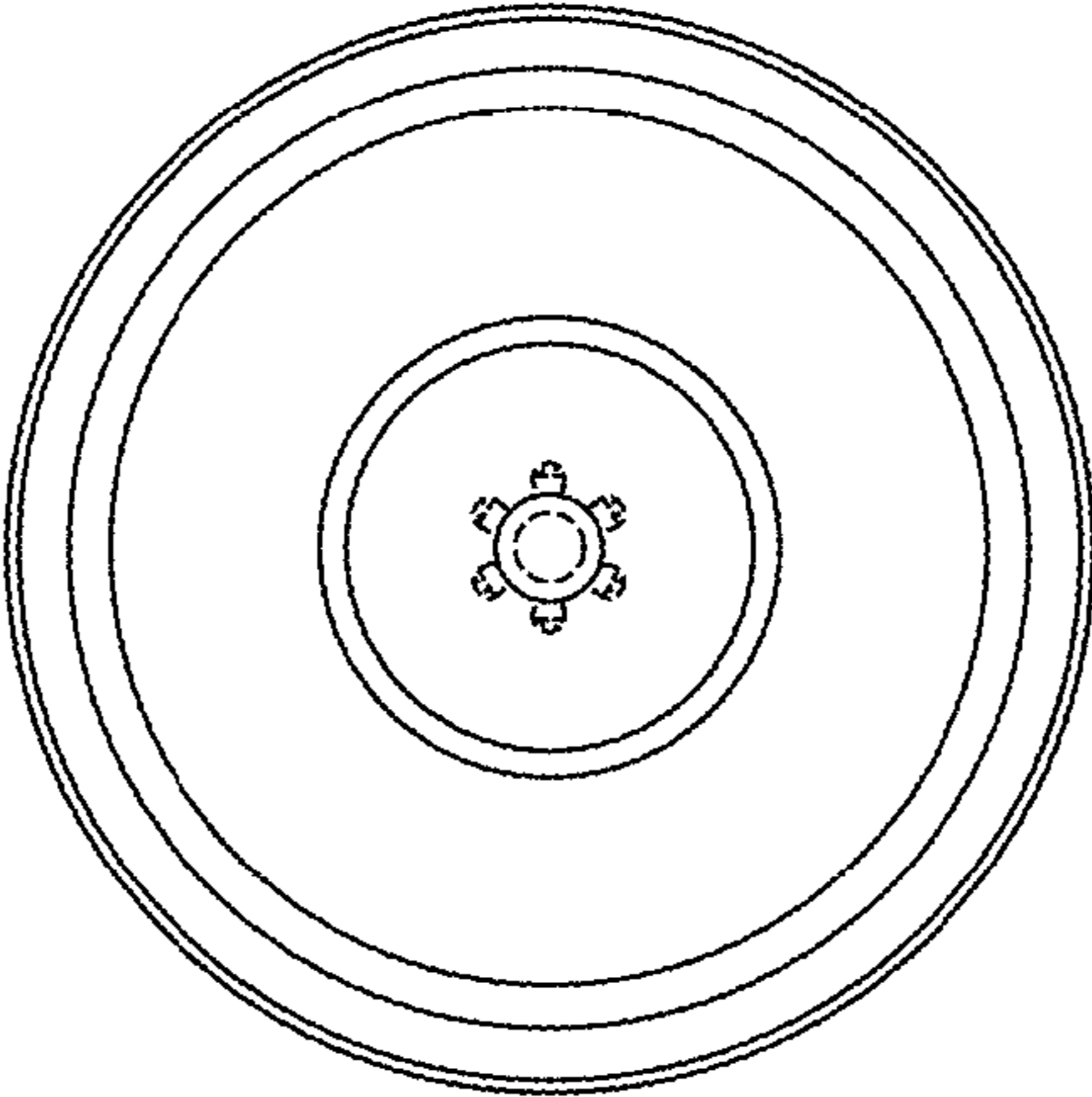


FIG. 7

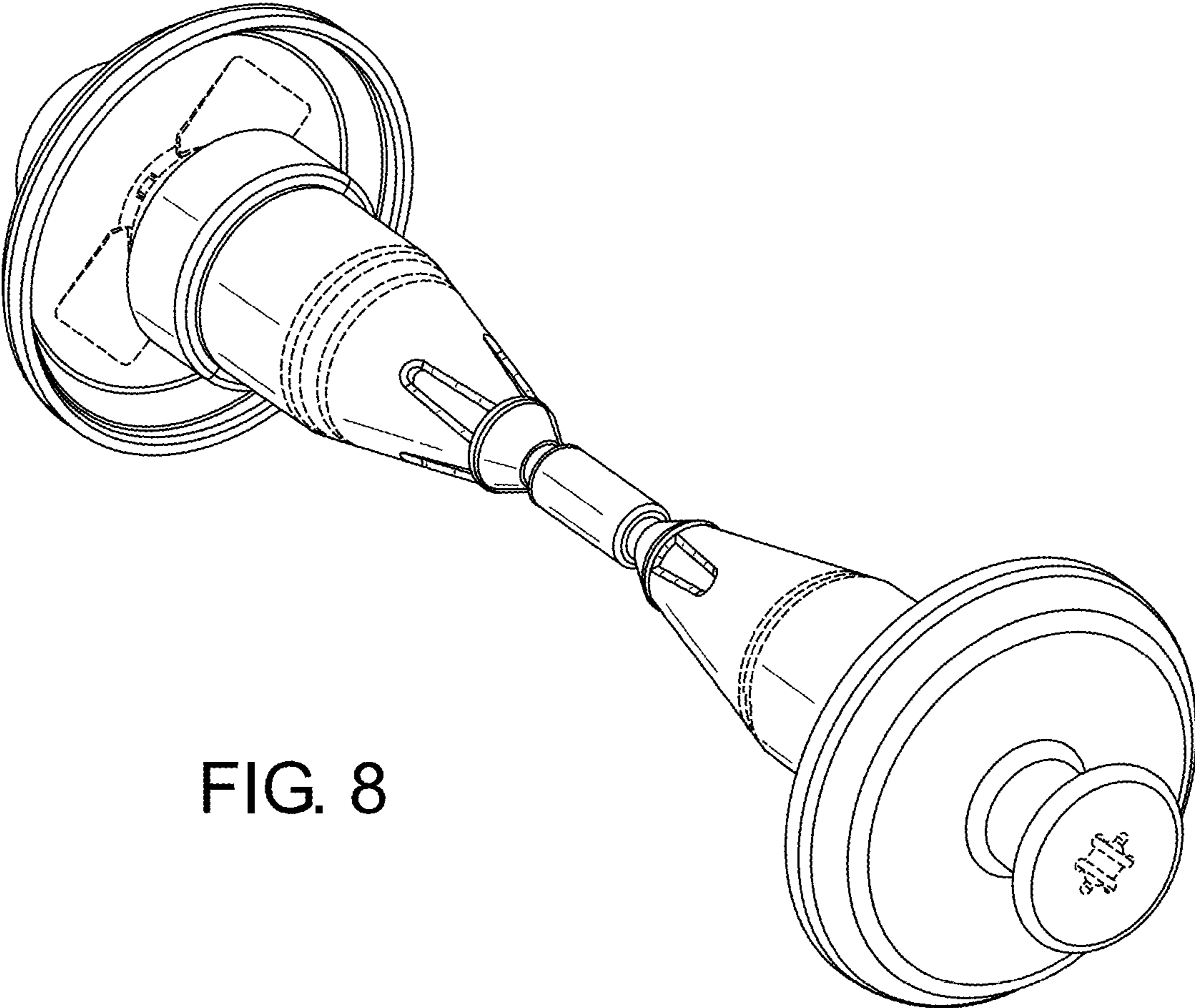


FIG. 8