



US00D788485S

(12) **United States Design Patent**
Greenwald et al.

(10) **Patent No.:** **US D788,485 S**

(45) **Date of Patent:** **** Jun. 6, 2017**

(54) **PAPER TOWEL HOLDER**
(71) Applicants: **Andrew Greenwald**, Levittown, NY
(US); **Mushe Yakubov**, Levittown, NY
(US)
(72) Inventors: **Andrew Greenwald**, Levittown, NY
(US); **Mushe Yakubov**, Levittown, NY
(US)

(**) **Term:** **15 Years**

(21) **Appl. No.:** **29/557,022**

(22) **Filed:** **Mar. 4, 2016**

(51) **LOC (10) Cl.** **20-02**

(52) **U.S. Cl.**
USPC **D6/521**

(58) **Field of Classification Search**
USPC D6/518-523; 206/389, 391; 211/13.1,
211/59.1, 45, 89.01; 242/570, 590, 597.7,
242/390.1, 390.2
CPC A47K 10/3836; A47K 2010/3253; A47K
10/00; A47K 10/22; B65D 25/02
See application file for complete search history.

5,439,521 A * 8/1995 Rao A47K 10/3827
118/415
5,462,164 A * 10/1995 Cornelissen B65D 85/672
206/389
5,660,313 A * 8/1997 Newbold A47K 10/32
206/205
5,667,071 A * 9/1997 Nakagoshi B65B 9/02
206/389
5,680,978 A * 10/1997 Pinion B65D 85/672
220/230
D452,788 S * 1/2002 Neiberger D6/518
6,382,552 B1 * 5/2002 Paul B65D 83/0805
206/391
D462,551 S * 9/2002 Mayer D6/523
D504,794 S * 5/2005 Sellars D6/522

(Continued)

Primary Examiner — David Muller
Assistant Examiner — Nathan Johnston
(74) *Attorney, Agent, or Firm* — Egbert Law Offices,
PLLC

(57) **CLAIM**

The ornamental design for a paper towel holder, which is a power saving paper towel dispenser, as shown and described.

(56) **References Cited**

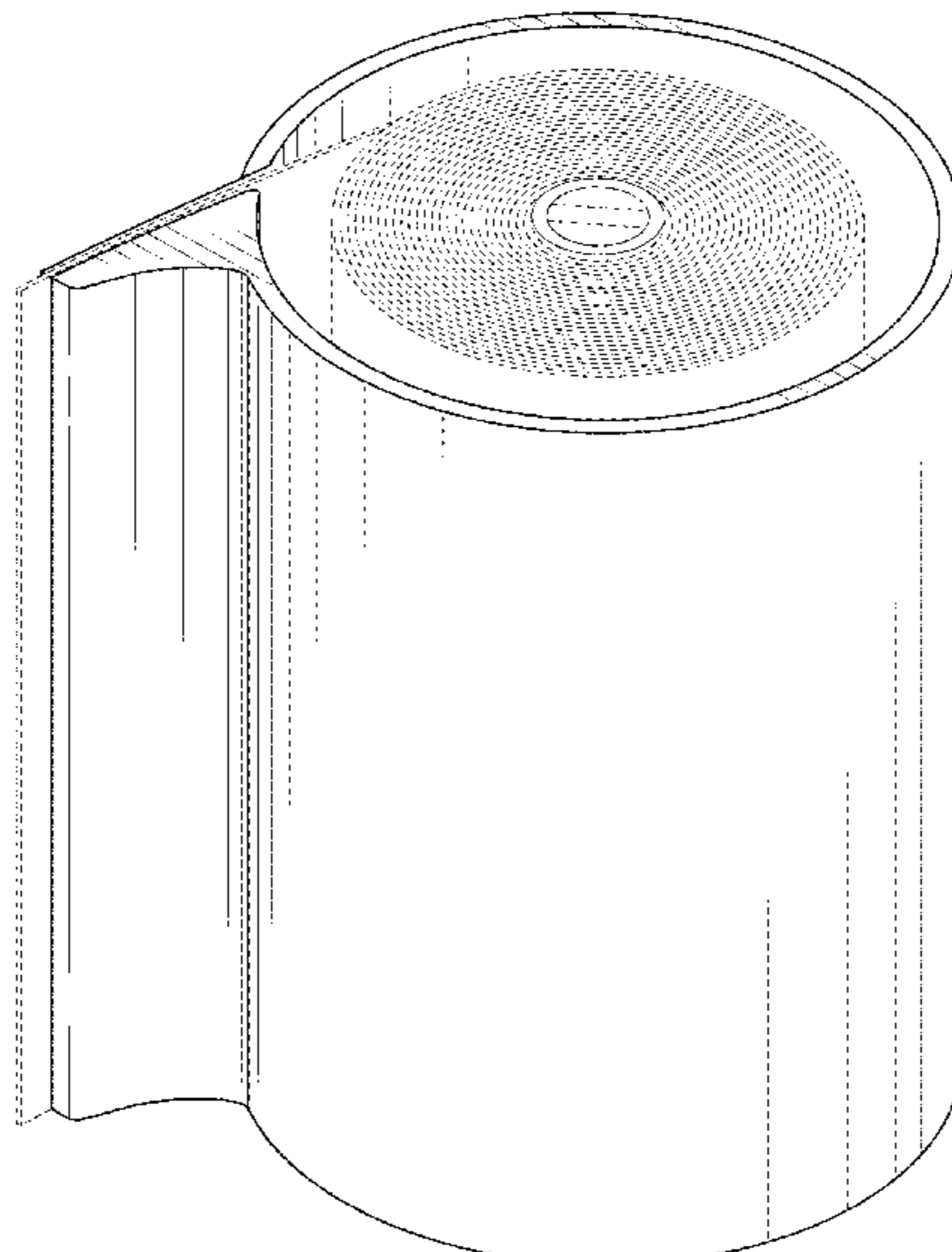
U.S. PATENT DOCUMENTS

2,303,173 A * 11/1942 Roehrl G03B 17/30
206/409
D156,498 S * 12/1949 Fomusa D6/523
D247,465 S * 3/1978 Ford D6/523
4,239,164 A * 12/1980 Barnsbee G03B 27/588
206/409
D308,445 S * 6/1990 Loughridge D6/518
D309,158 S * 7/1990 Shattan D19/89
D311,106 S * 10/1990 Jaber D6/520
D316,789 S * 5/1991 McLaughlin D6/522
5,172,966 A * 12/1992 Myatt A47K 10/38
225/43
5,295,578 A * 3/1994 Neidospial, Jr. G03B 17/30
206/389

DESCRIPTION

FIG. 1 is a perspective view of a paper towel holder showing our new design.
FIG. 2 is a side elevation view thereof;
FIG. 3 is an opposite side elevation view thereof;
FIG. 4 is a front elevation view thereof;
FIG. 5 is a rear elevation view thereof;
FIG. 6 is a top plan view thereof; and,
FIG. 7 is a bottom plan view thereof.
The features shown in broken lines depict unclaimed portions of the paper towel holder and environmental subject matter only and form no part of the claimed design.

1 Claim, 7 Drawing Sheets



(56)

References Cited

U.S. PATENT DOCUMENTS

D569,667 S *	5/2008	Ovelar	D6/518
D571,134 S *	6/2008	Collado	D6/518
D616,233 S *	5/2010	Yang	D6/518
8,800,910 B2 *	8/2014	Shepherd	B65H 35/10 242/597.8
2004/0178102 A1 *	9/2004	Adelakun	B65H 18/28 206/389
2007/0176042 A1 *	8/2007	Briante	B65H 16/028 242/588.6
2012/0181297 A1 *	7/2012	Cofrancesco	A47K 10/38 221/26

* cited by examiner

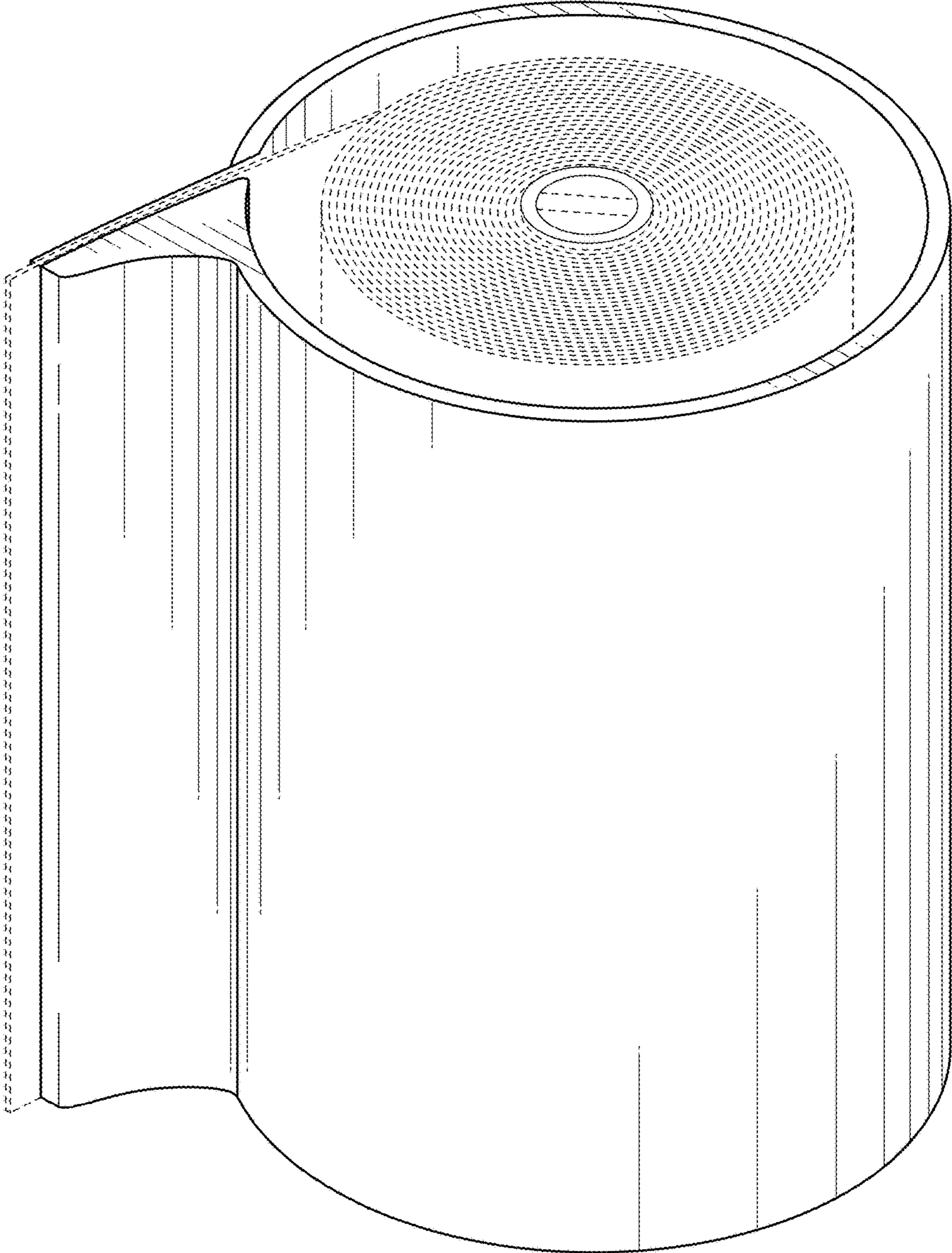


FIG. 1

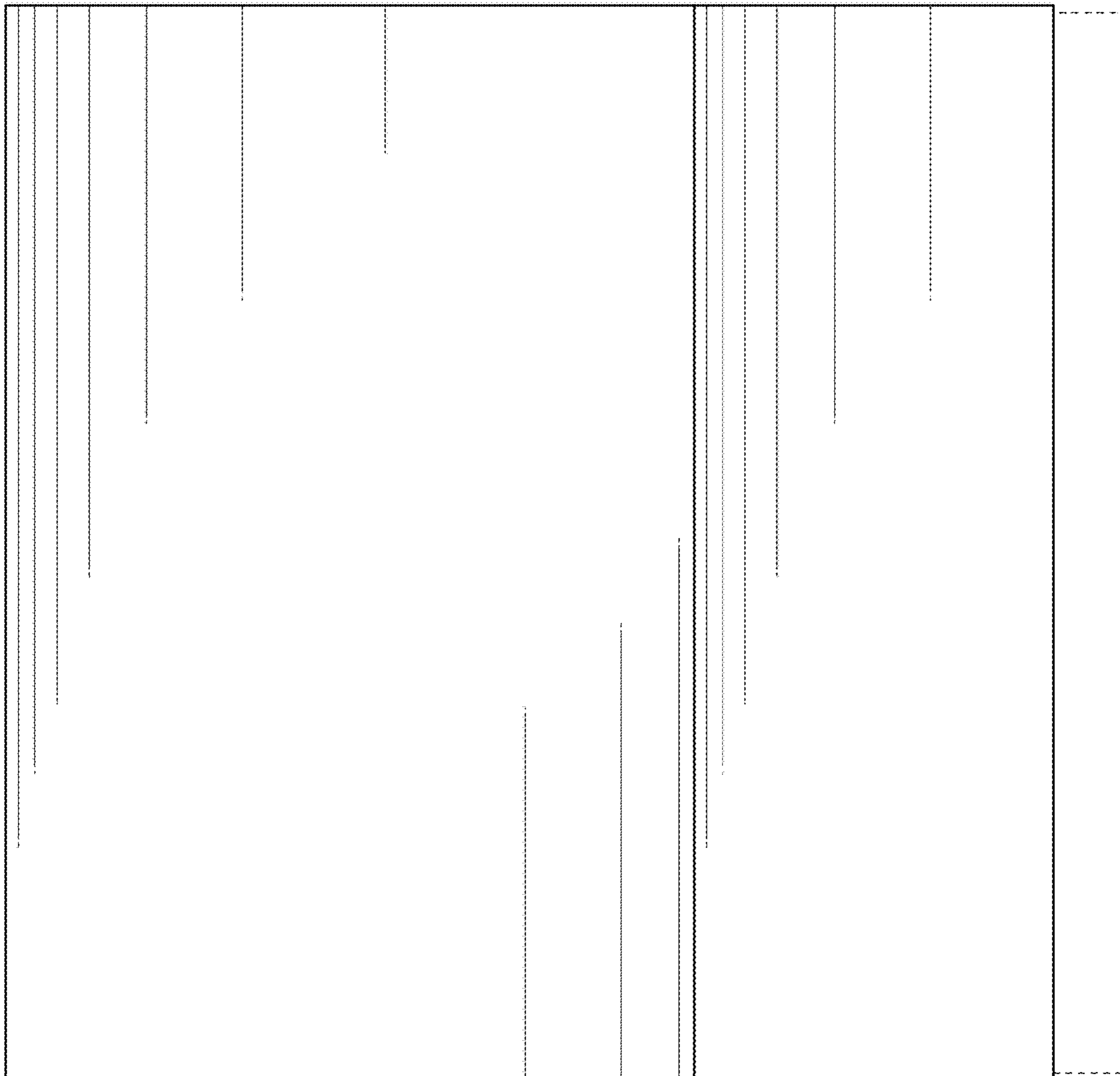


FIG. 2

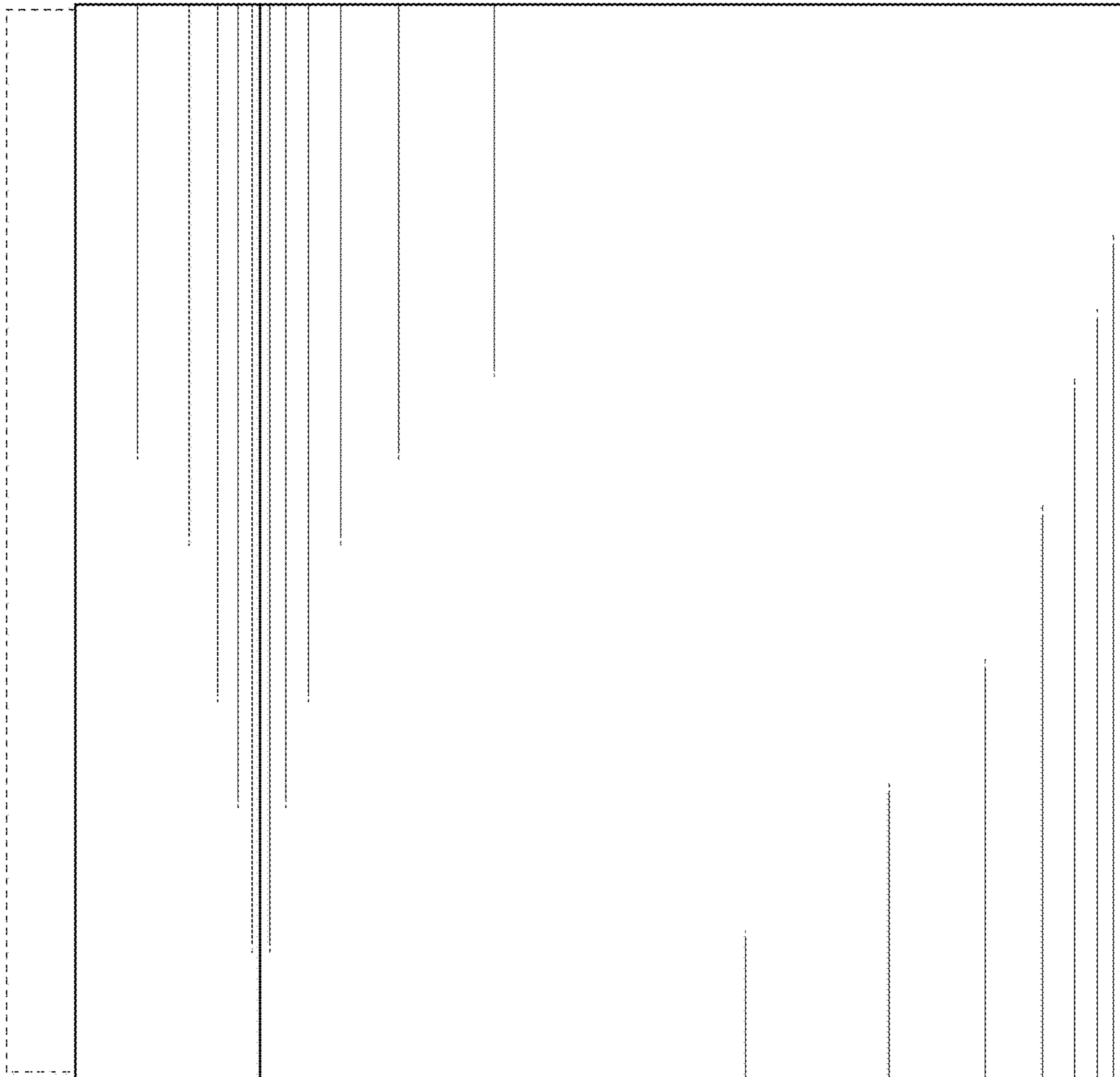


FIG. 3

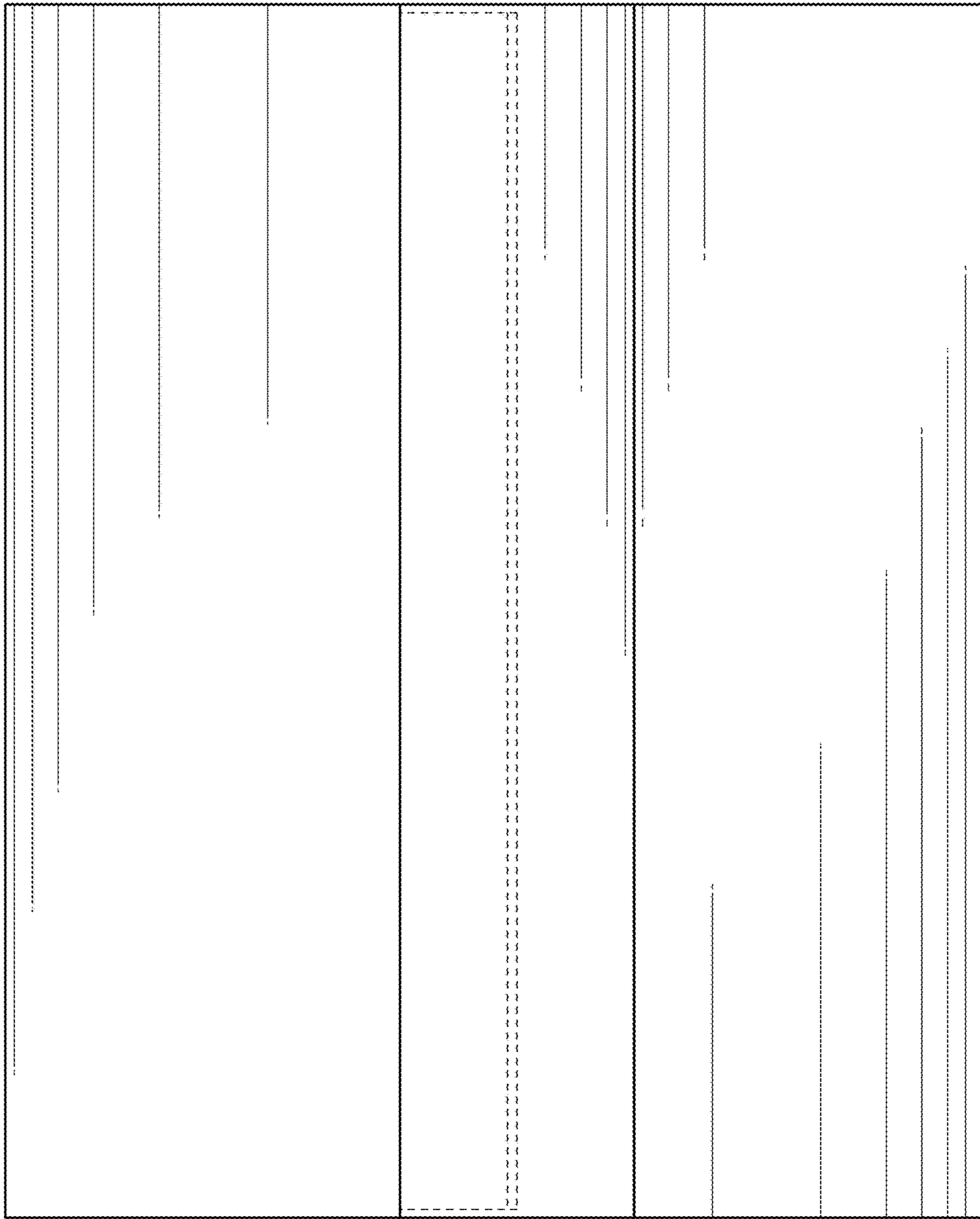


FIG. 4

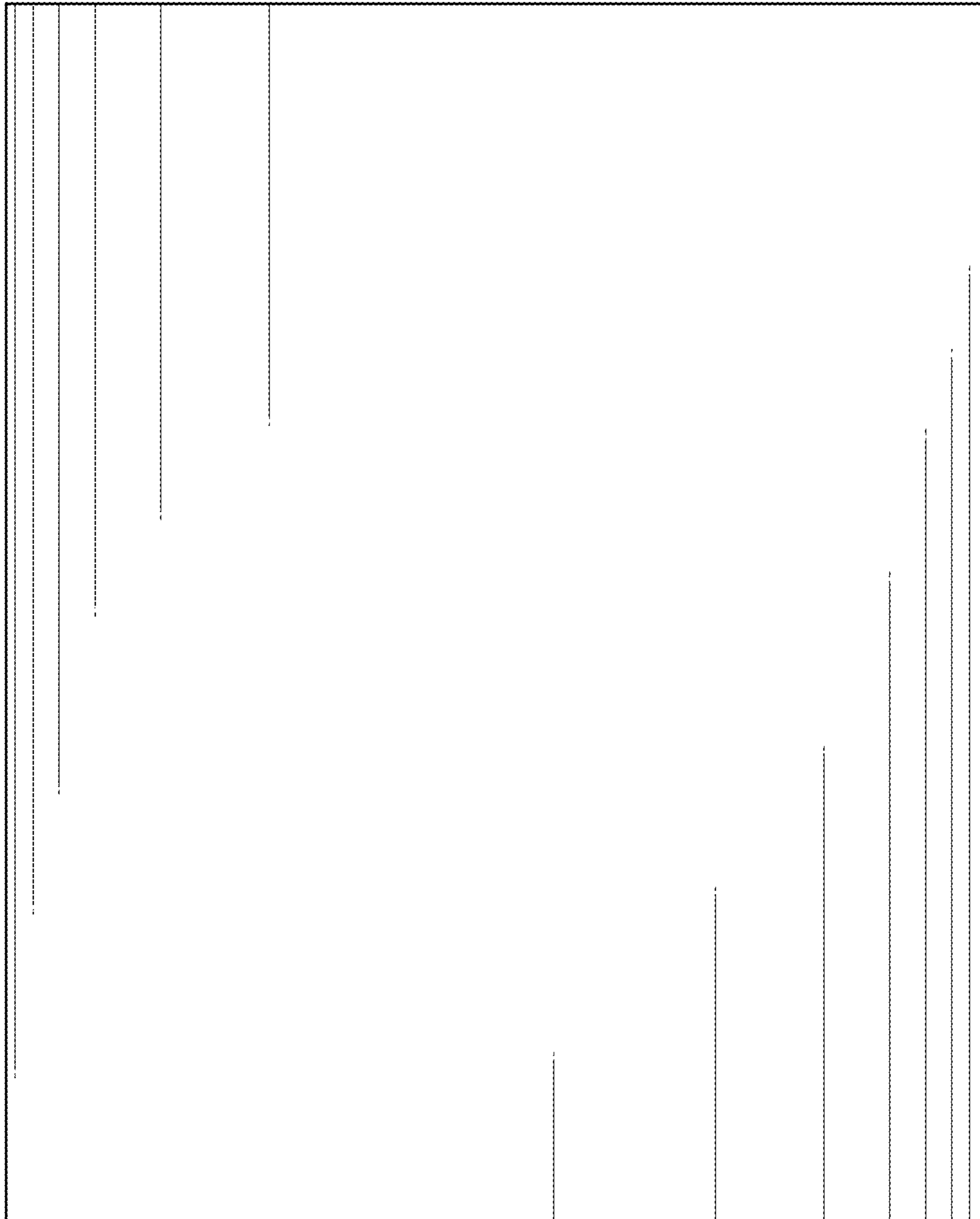


FIG. 5

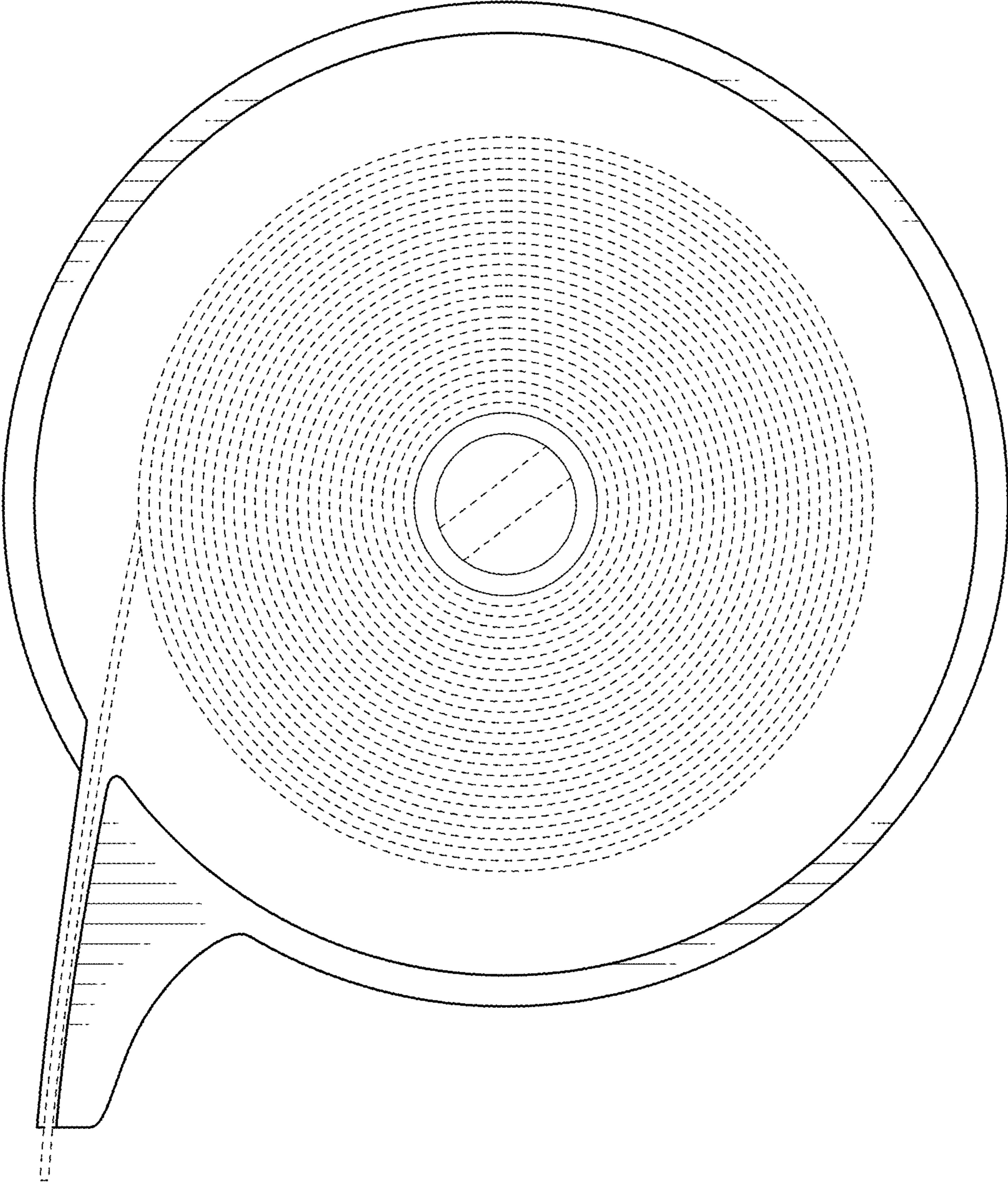


FIG. 6

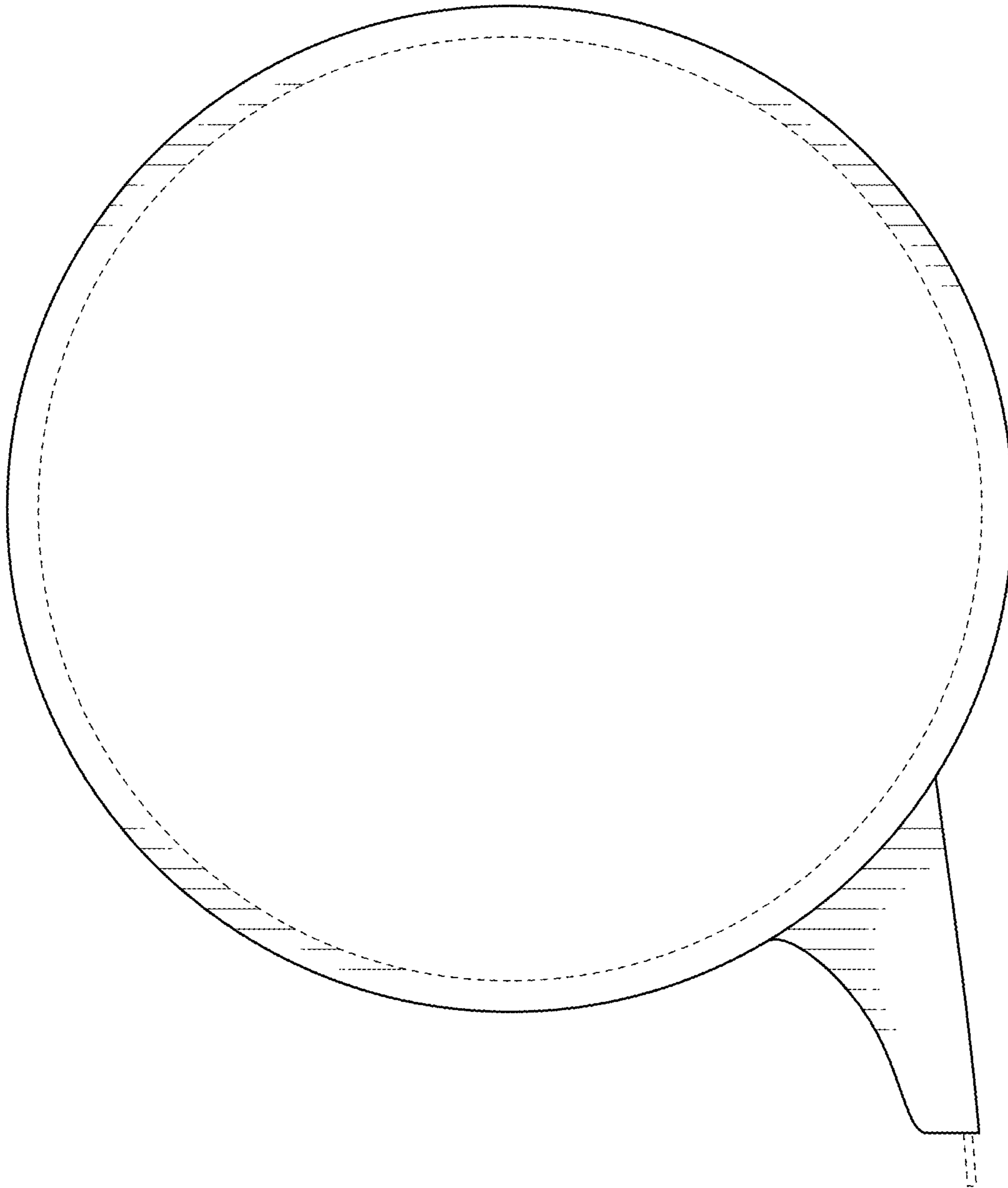


FIG. 7