



US00D788483S

(12) **United States Design Patent**  
**Paesano**

(10) **Patent No.:** **US D788,483 S**

(45) **Date of Patent:** **\*\* Jun. 6, 2017**

(54) **CHAIR**

(71) Applicant: **D3, Inc.**, Hawthorne, CA (US)

(72) Inventor: **Marco Paesano**, Toronto (CA)

(73) Assignee: **D3, Inc.**, Hawthorne, CA (US)

(\*\*) Term: **15 Years**

(21) Appl. No.: **29/529,395**

(22) Filed: **Jun. 5, 2015**

(51) **LOC (10) Cl.** ..... **06-01**

(52) **U.S. Cl.**  
USPC ..... **D6/379**

(58) **Field of Classification Search**  
USPC .... D6/334-336, 360-381, 716, 716.1-716.4  
CPC ..... A47C 1/02; A47C 1/03255; A47C 1/024;  
A47C 3/025; A47C 3/026; A47C 7/02;  
A47C 7/022; A47C 7/028; A47C 7/004;  
A47C 7/18; A47C 7/282; A47C 7/40;  
A47C 7/402; A47C 7/44; A47C 7/46;  
A47C 7/54; B60N 2/64; B60N 2/66

See application file for complete search history.

(56) **References Cited**

**U.S. PATENT DOCUMENTS**

D517,820 S *	3/2006	Citterio	.....	D6/366
D535,112 S *	1/2007	Bernett	.....	D6/366
D557,026 S *	12/2007	Klaasen, II	.....	D6/366
D600,462 S *	9/2009	Ooki	.....	D6/366
D607,653 S *	1/2010	Wilkinson	.....	D6/366
D613,087 S *	4/2010	Fujita	.....	D6/366
D649,795 S *	12/2011	Izawa	.....	D6/366
D654,710 S *	2/2012	Fujita	.....	D6/366
D654,711 S *	2/2012	Fujita	.....	D6/366
D655,522 S *	3/2012	Czumaj-Bront	.....	D6/366
D656,329 S *	3/2012	Nakamura	.....	D6/366
D656,752 S *	4/2012	Moll	.....	D6/366

D662,331 S *	6/2012	Czumaj-Bront	.....	D6/366
D666,016 S *	8/2012	Citterio	.....	D6/366
D666,841 S *	9/2012	Czumaj-Bront	.....	D6/366
D667,231 S *	9/2012	Citterio	.....	D6/366
D670,927 S *	11/2012	Hurford	.....	D6/366
D671,332 S *	11/2012	Izawa	.....	D6/366
D679,107 S *	4/2013	Darrow	.....	D6/366
D687,641 S *	8/2013	Barrell	.....	D6/366
D688,056 S *	8/2013	Phillips	.....	D6/366
D688,482 S *	8/2013	Choi	.....	D6/366
D688,483 S *	8/2013	Aratani	.....	D6/366
D690,523 S *	10/2013	Choi	.....	D6/366
D704,487 S *	5/2014	Smith	.....	D6/366
D707,976 S *	7/2014	Smith	.....	D6/366
D714,070 S *	9/2014	Cvek	.....	D6/366
D742,674 S *	11/2015	Wilkinson	.....	D6/716

\* cited by examiner

*Primary Examiner* — Ricky Pham

(74) *Attorney, Agent, or Firm* — K&L Gates LLP; Louis C. Cullman; Brian J. Novak

(57) **CLAIM**

The ornamental design for a chair, as shown and described.

**DESCRIPTION**

FIG. 1 is a front, left, and top perspective view of a chair of my design.

FIG. 2 is a rear, left, and bottom perspective view of the chair of FIG. 1.

FIG. 3 is a front view of the chair of FIG. 1.

FIG. 4 is a rear view of the chair of FIG. 1.

FIG. 5 is a first side view of the chair of FIG. 1.

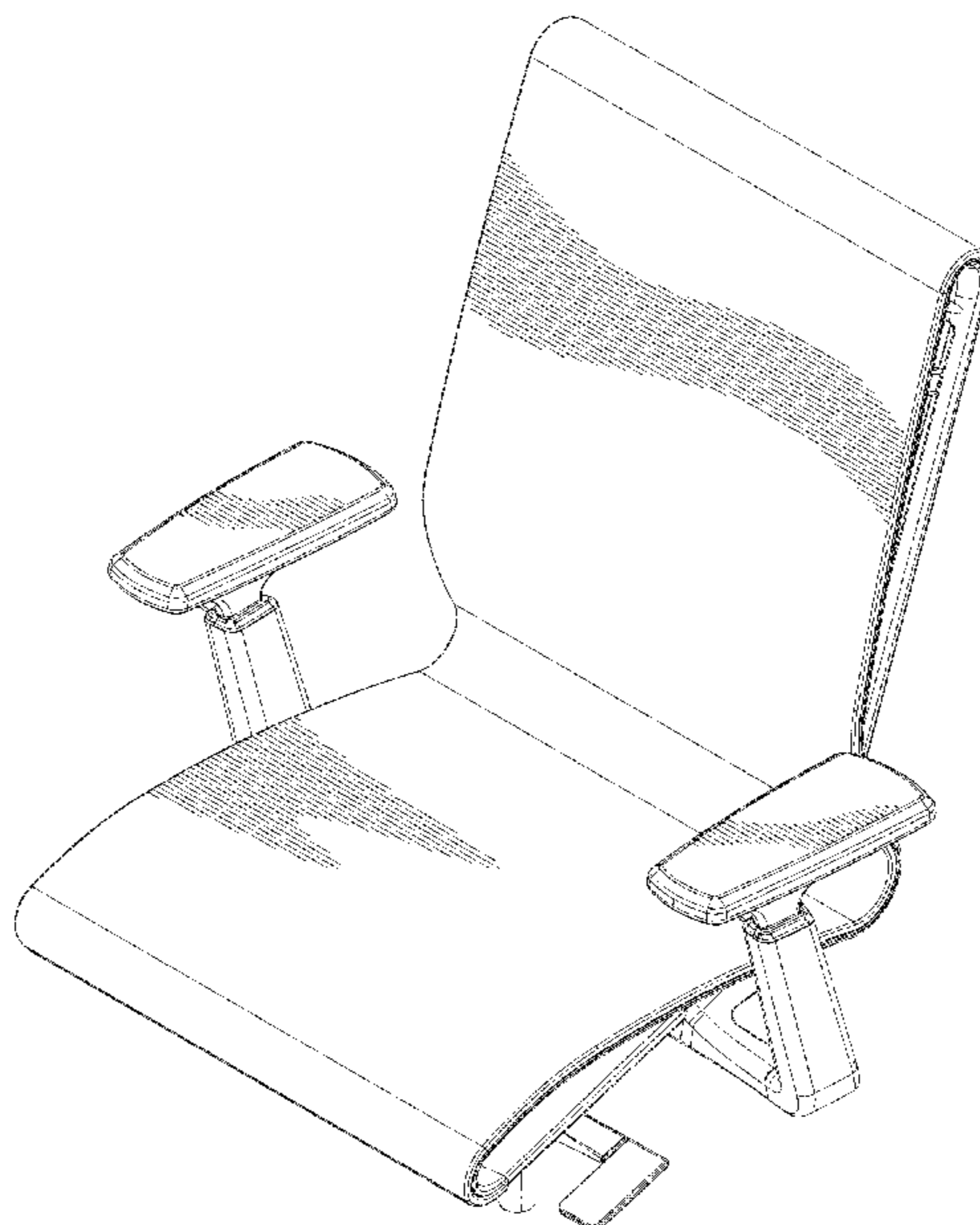
FIG. 6 is a second side view of the chair of FIG. 1.

FIG. 7 is a top view of the chair of FIG. 1; and,

FIG. 8 is a bottom view of the chair of FIG. 1.

The dash broken lines are for the purpose of illustrating environmental structure that forms no part of the claimed design.

**1 Claim, 8 Drawing Sheets**



*FIG. 1*

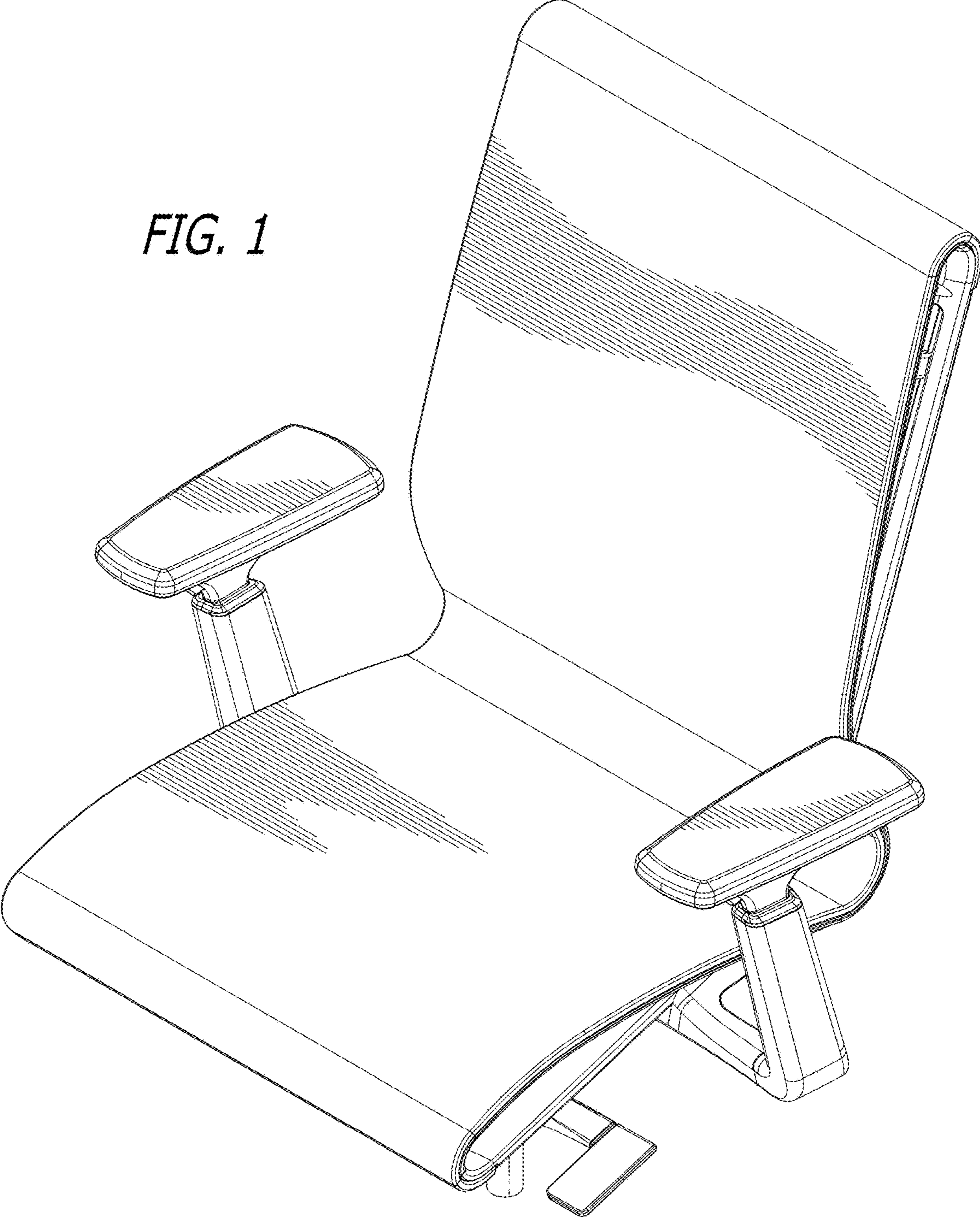
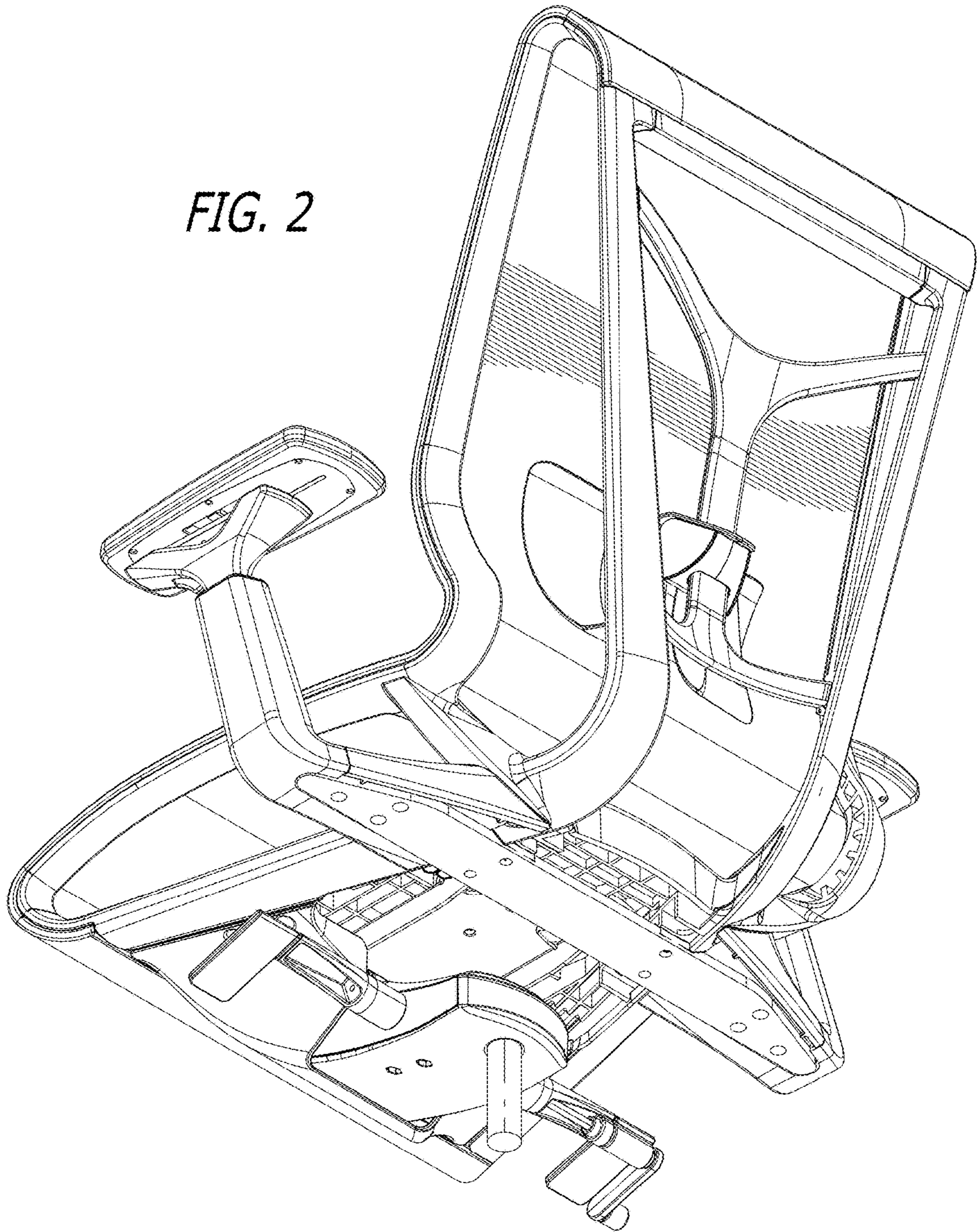


FIG. 2



*FIG. 3*

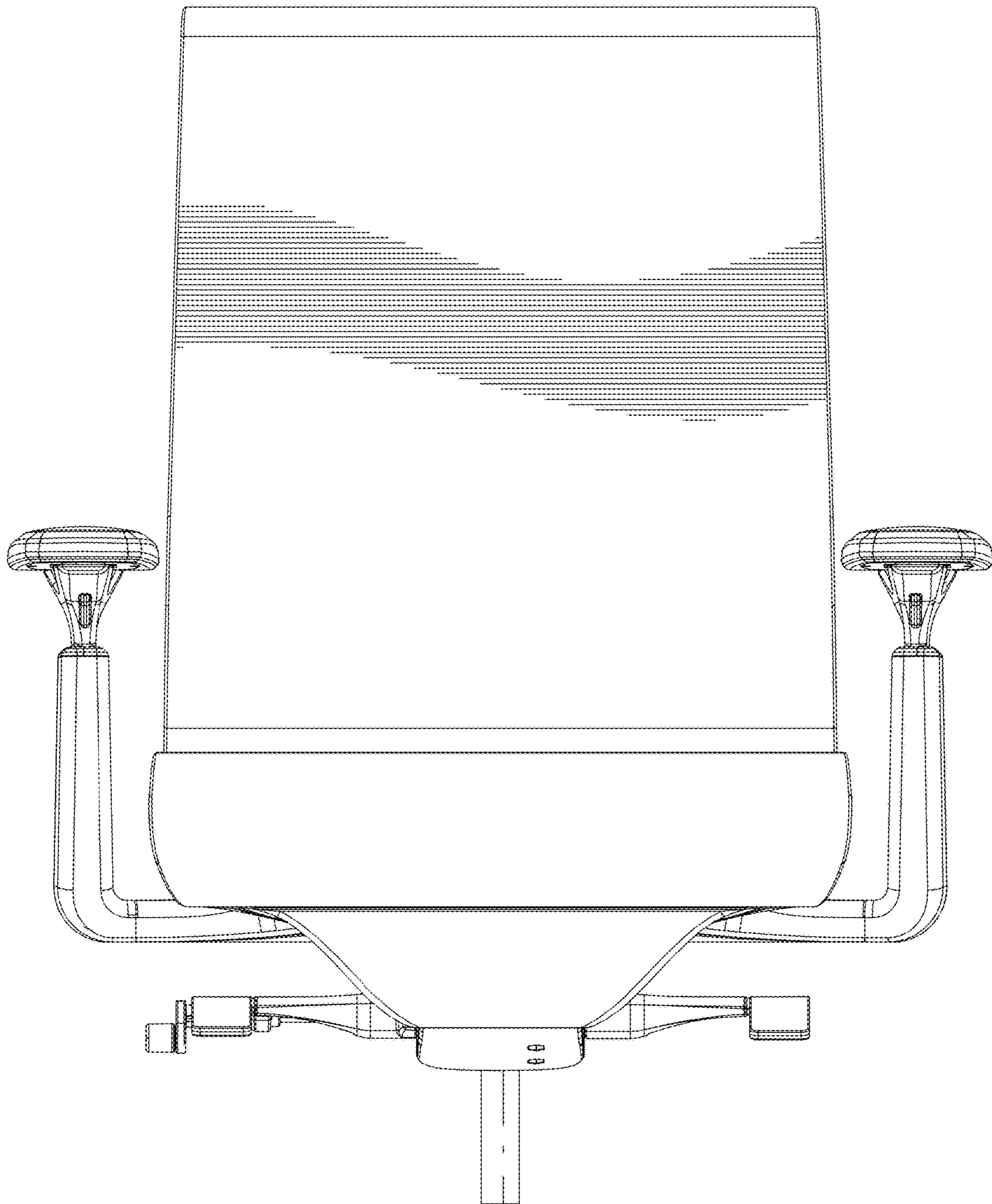
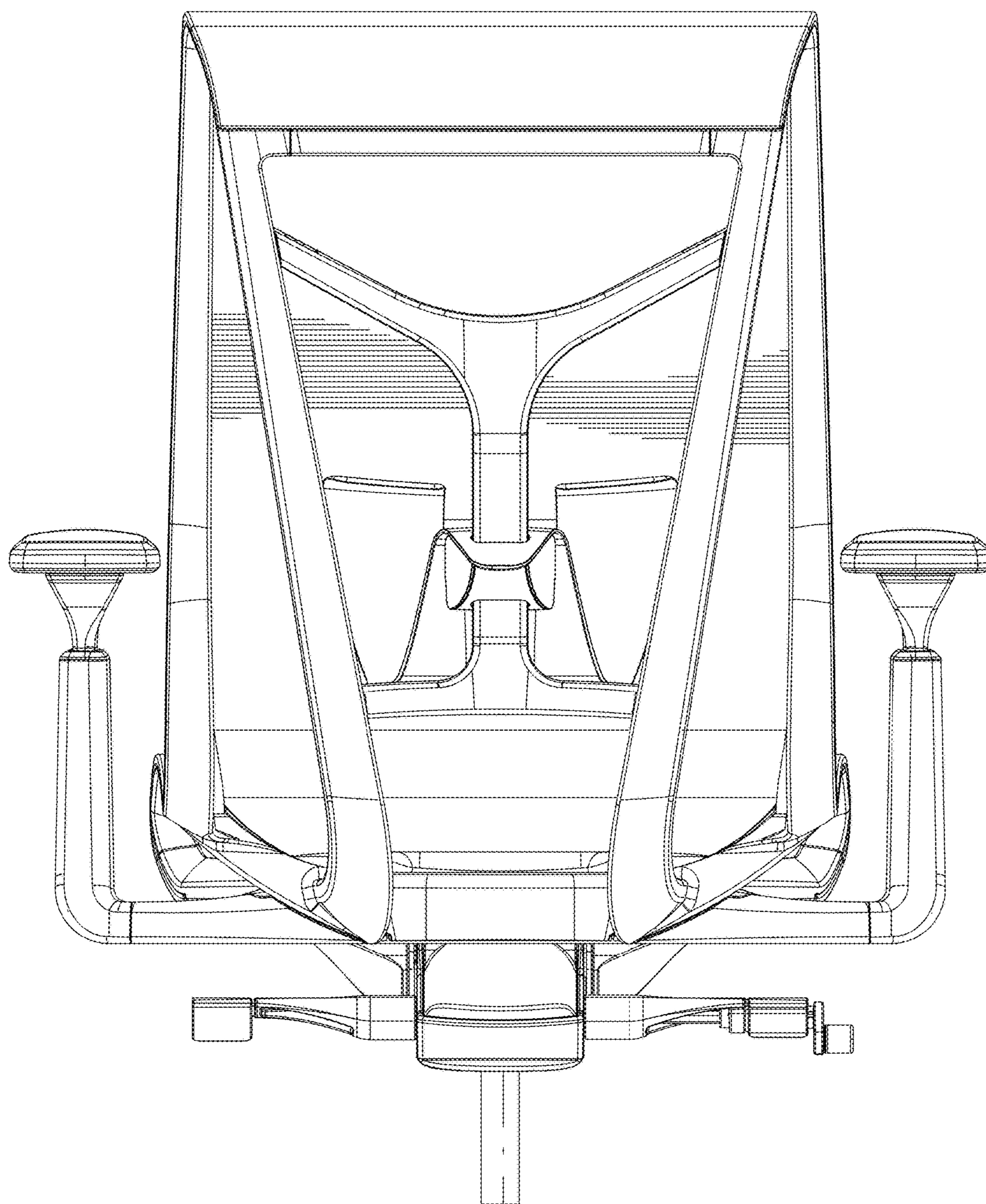
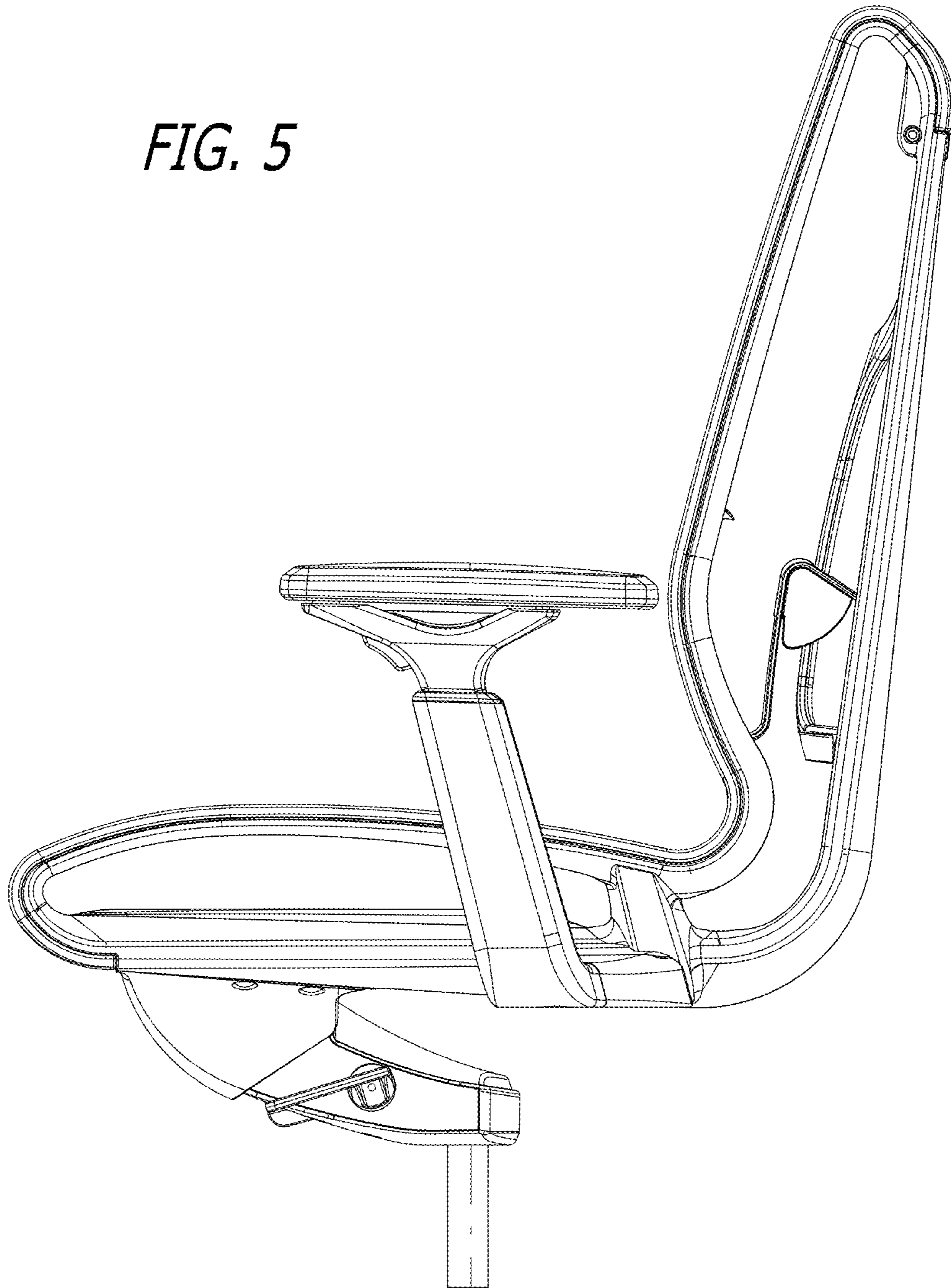
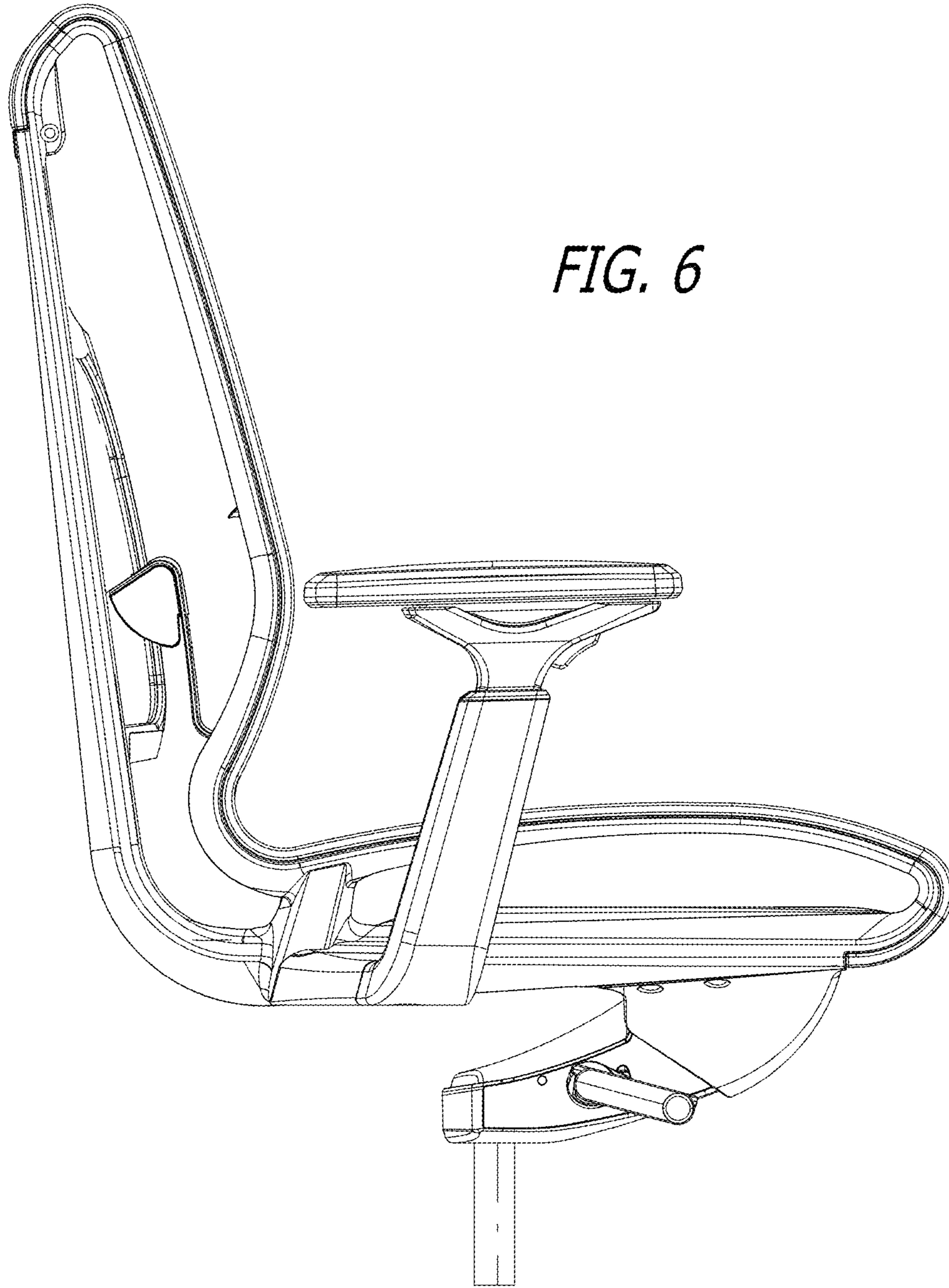


FIG. 4



*FIG. 5*





*FIG. 6*

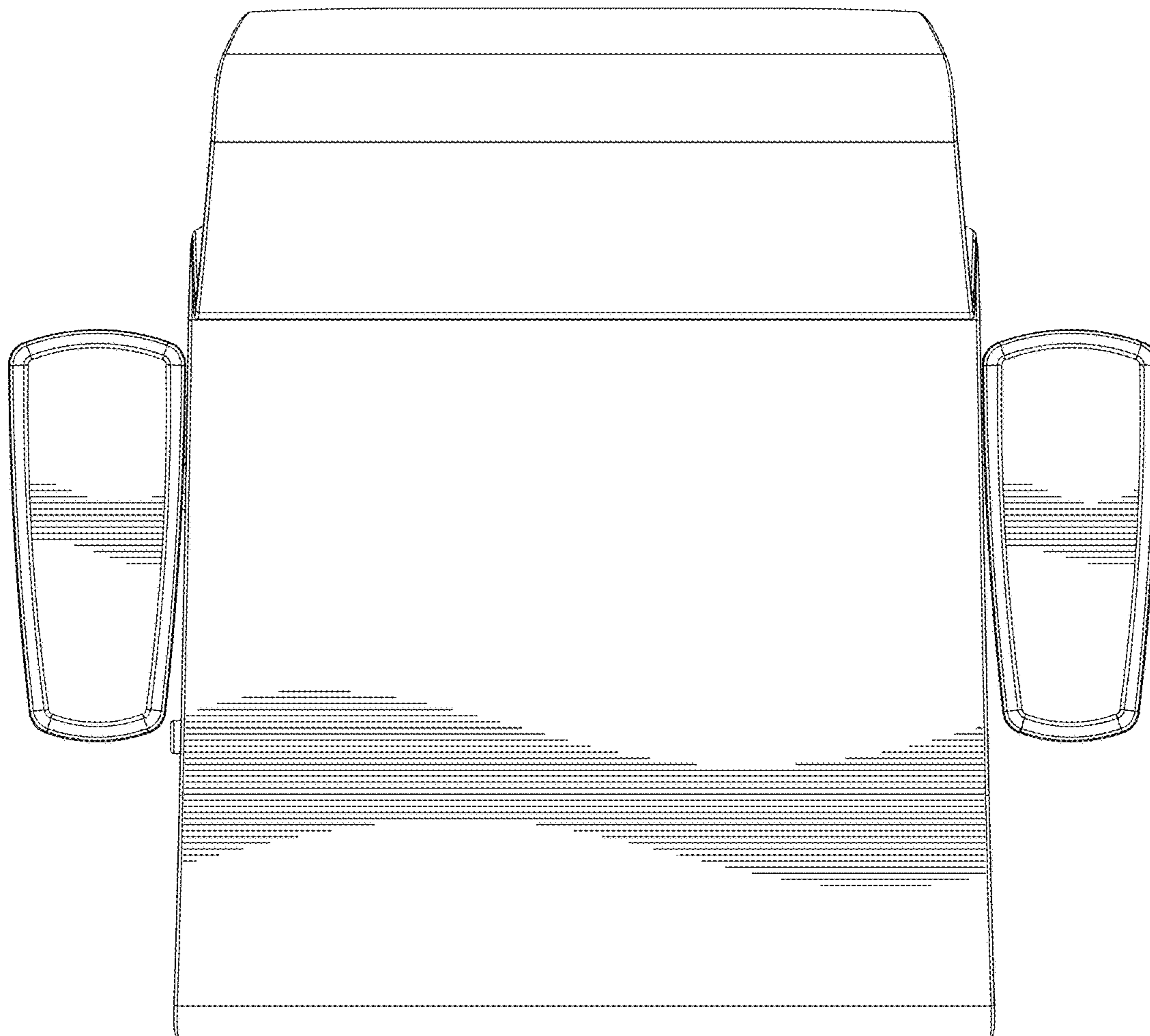
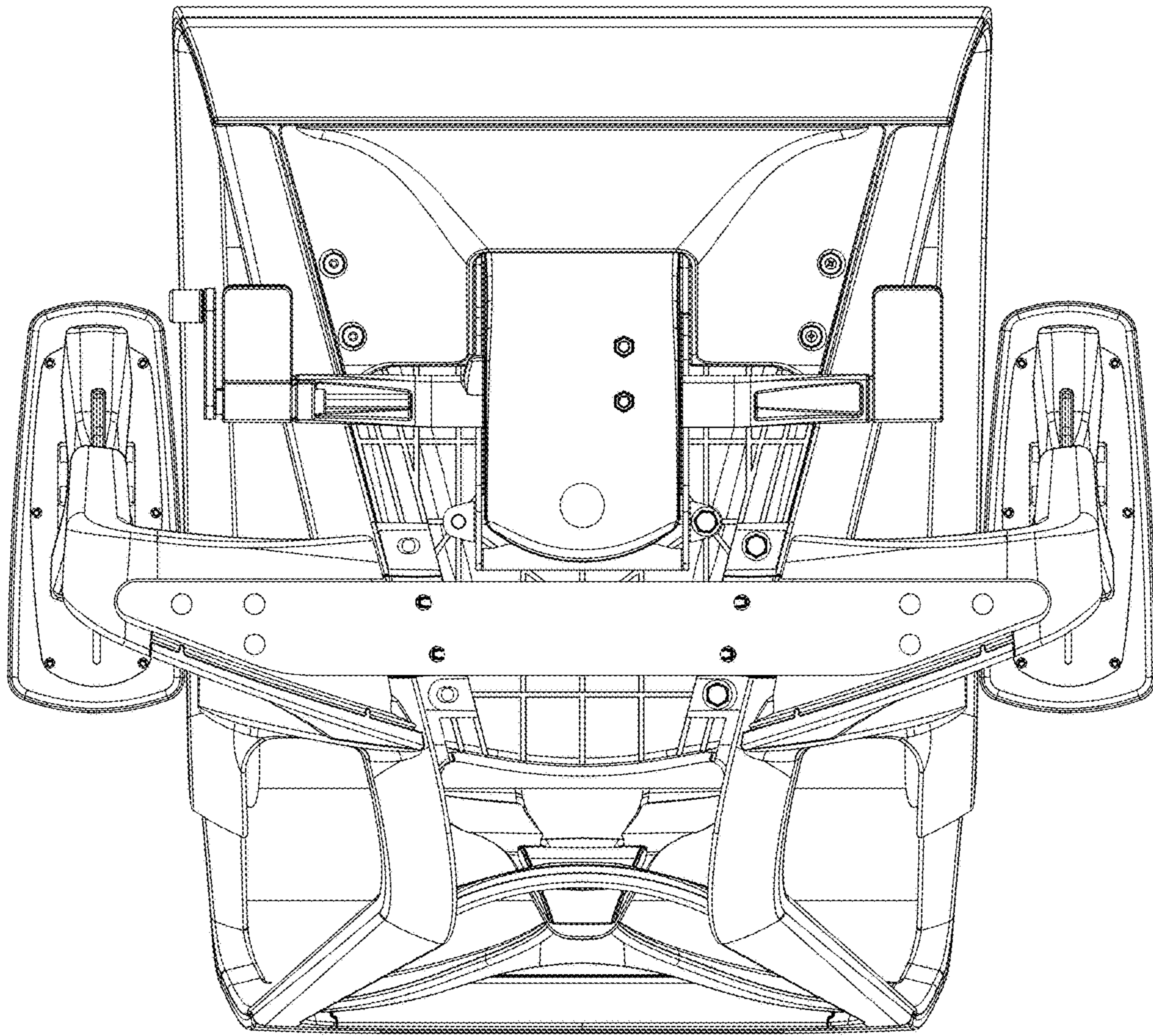


FIG. 7





*FIG. 8*

UNITED STATES PATENT AND TRADEMARK OFFICE  
**CERTIFICATE OF CORRECTION**

PATENT NO. : D788,483 S  
APPLICATION NO. : 29/529395  
DATED : June 6, 2017  
INVENTOR(S) : Marco Paesano

Page 1 of 1

It is certified that error appears in the above-identified patent and that said Letters Patent is hereby corrected as shown below:

On the Title Page

(71) "D3, Inc." should read --D3, Inc. dba 9 to 5 Seating--

(73) "D3, Inc." should read --D3, Inc. dba 9 to 5 Seating--

Signed and Sealed this  
First Day of August, 2017



Joseph Matal  
*Performing the Functions and Duties of the  
Under Secretary of Commerce for Intellectual Property and  
Director of the United States Patent and Trademark Office*