



US00D788480S

(12) **United States Design Patent**
Heisman

(10) **Patent No.:** **US D788,480 S**

(45) **Date of Patent:** **** Jun. 6, 2017**

(54) **VEHICLE SEAT**

(71) Applicant: **Milsco Manufacturing Company,**
Milwaukee, WI (US)

(72) Inventor: **Mark N Heisman,** Brookfield, WI (US)

(73) Assignee: **Milsco Manufacturing Company,**
Milwaukee, WI (US)

(**) Term: **14 Years**

(21) Appl. No.: **29/499,893**

(22) Filed: **Aug. 19, 2014**

(51) **LOC (10) Cl.** **06-01**

(52) **U.S. Cl.**
USPC **D6/356**

(58) **Field of Classification Search**
USPC D6/356, 364-368, 374, 716; 297/183.6,
297/195.11, 452.24, 452.26, 452.28,
297/452.32-33, 452.37
CPC B60N 2/02; B60N 2/22; B60N 2/44; A47C
1/10; A47C 1/031
See application file for complete search history.

(56) **References Cited**

U.S. PATENT DOCUMENTS

D509,077 S * 9/2005 Beermann D6/356
D536,543 S * 2/2007 Hsu D6/356
8,096,621 B2 * 1/2012 Braun B60N 2/682
297/183.6

D656,751 S * 4/2012 Levorato D6/356
D657,579 S * 4/2012 Klein D6/356
D659,416 S * 5/2012 Klein D6/356
D685,586 S * 7/2013 Klein D6/356
D694,031 S * 11/2013 Ritzel D6/356
D721,896 S * 2/2015 Ritzel D6/356
D748,926 S * 2/2016 Henstridge D6/356
D752,353 S * 3/2016 Owaku D6/356
2015/0183493 A1 * 7/2015 Zwaan B63B 29/04
297/195.11

* cited by examiner

Primary Examiner — Manpreet Matharu

Assistant Examiner — Keith Wilson

(74) *Attorney, Agent, or Firm* — Boyle Fredrickson S.C.

(57) **CLAIM**

The ornamental design for a vehicle seat, as shown and described.

DESCRIPTION

FIG. 1 is a perspective view of a vehicle seat incorporating my new design, viewed from in front of, above, and from the left side thereof;

FIG. 2 is a front elevation view thereof;

FIG. 3 is a right side elevation view thereof;

FIG. 4 is a left side elevation view thereof;

FIG. 5 is a rear elevation view thereof;

FIG. 6 is a top plan view thereof; and,

FIG. 7 is a bottom plan view thereof.

The broken lines as shown depict environment only and forms no part of the claim.

1 Claim, 7 Drawing Sheets

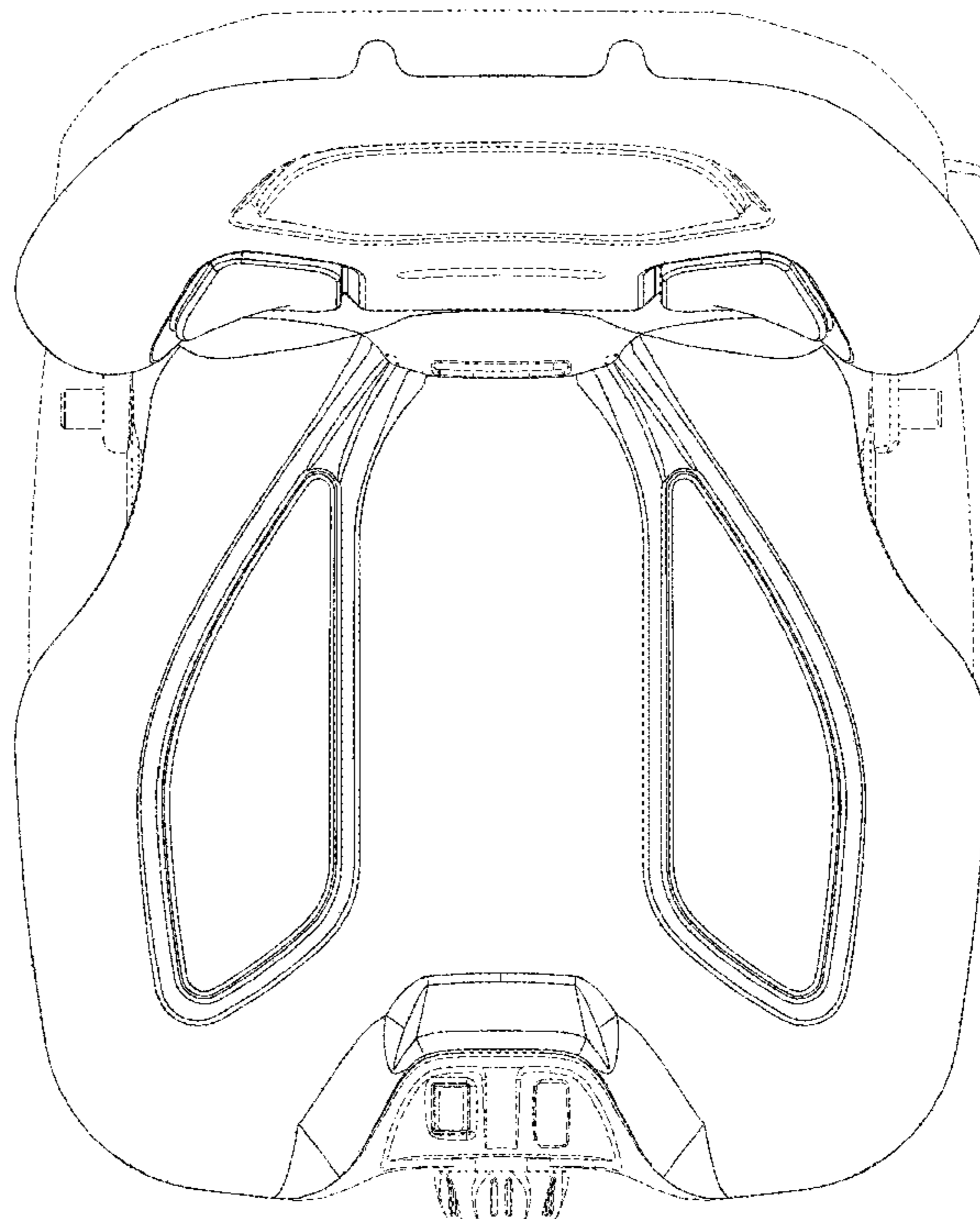
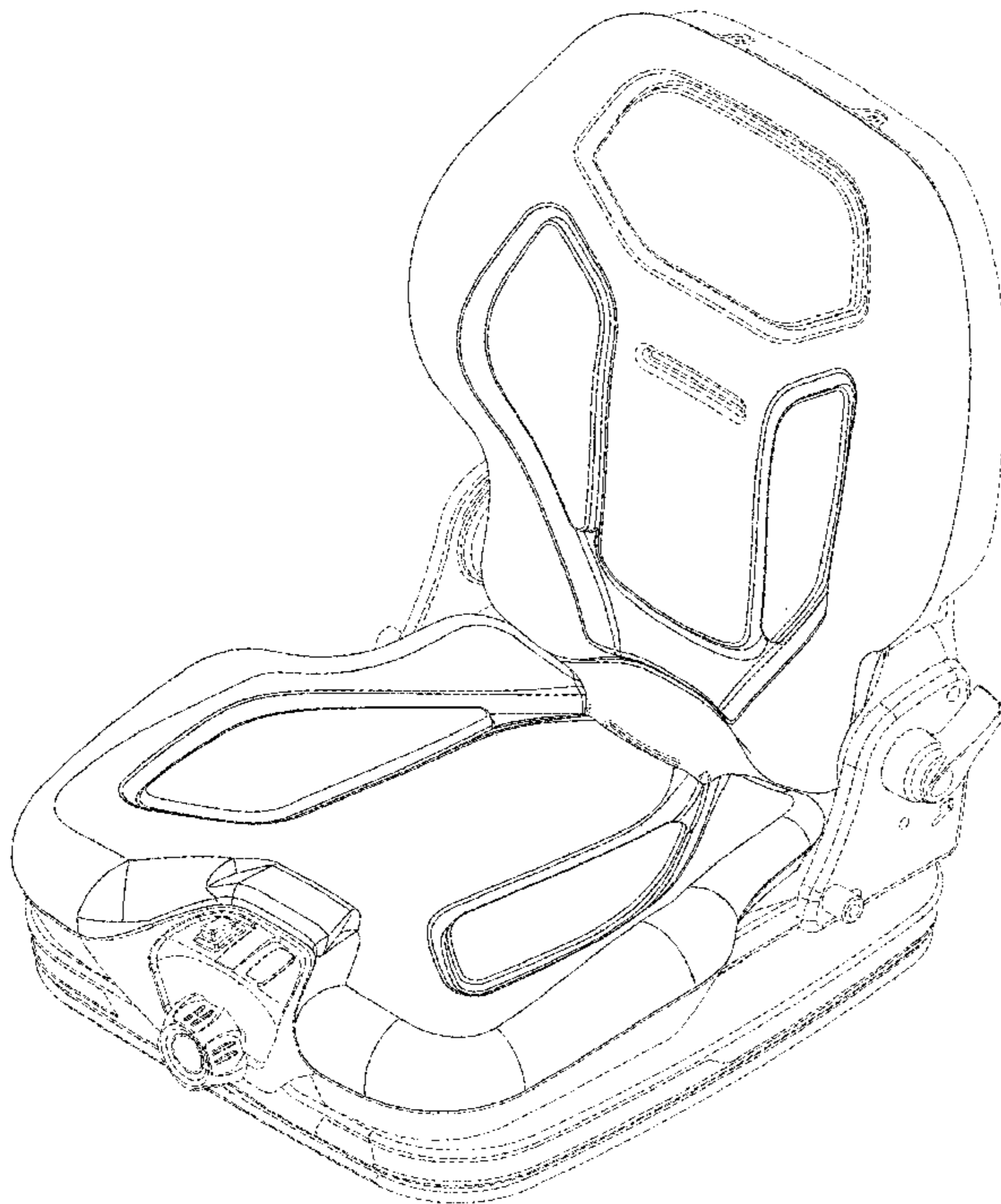




FIG. 1

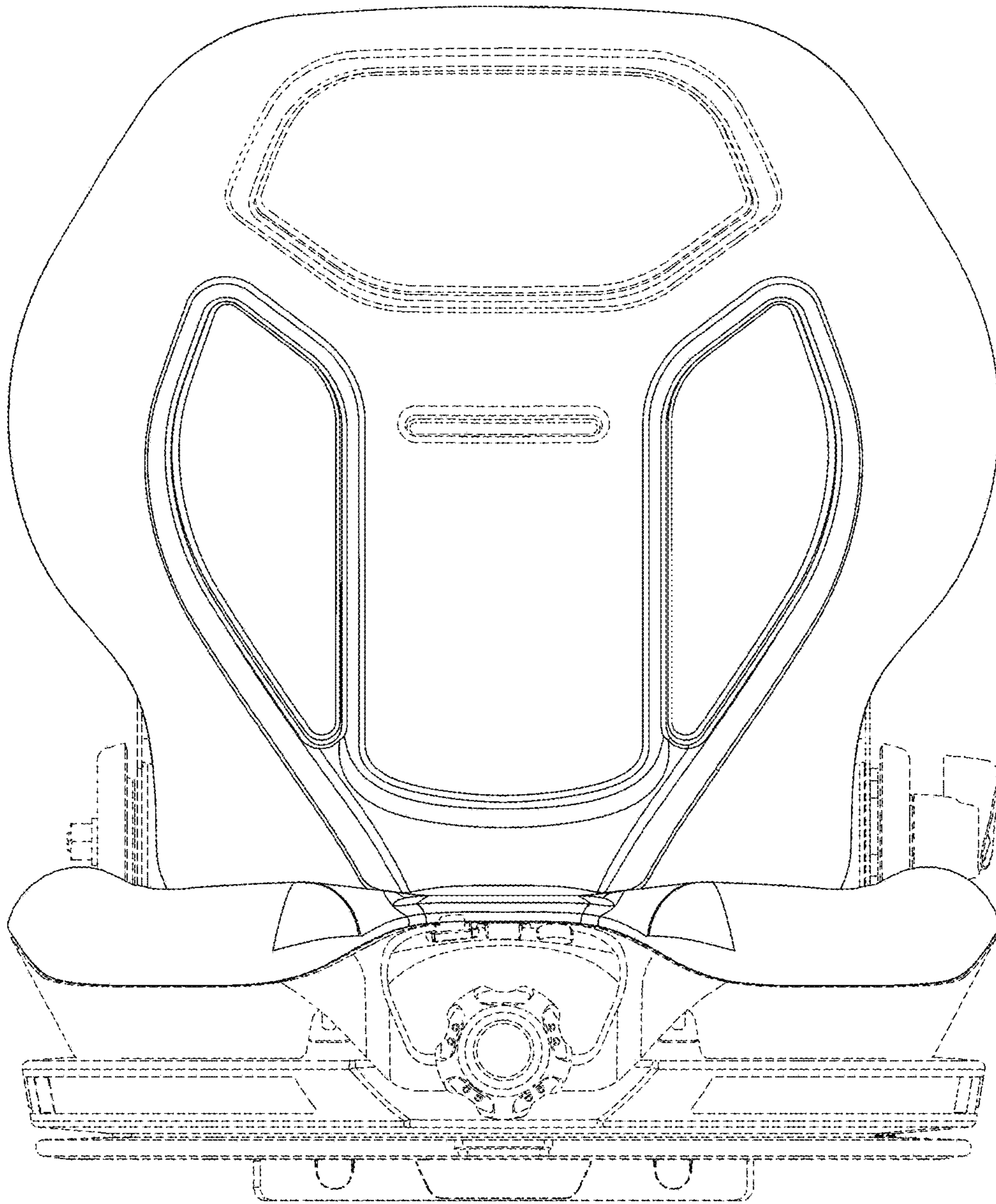


FIG. 2

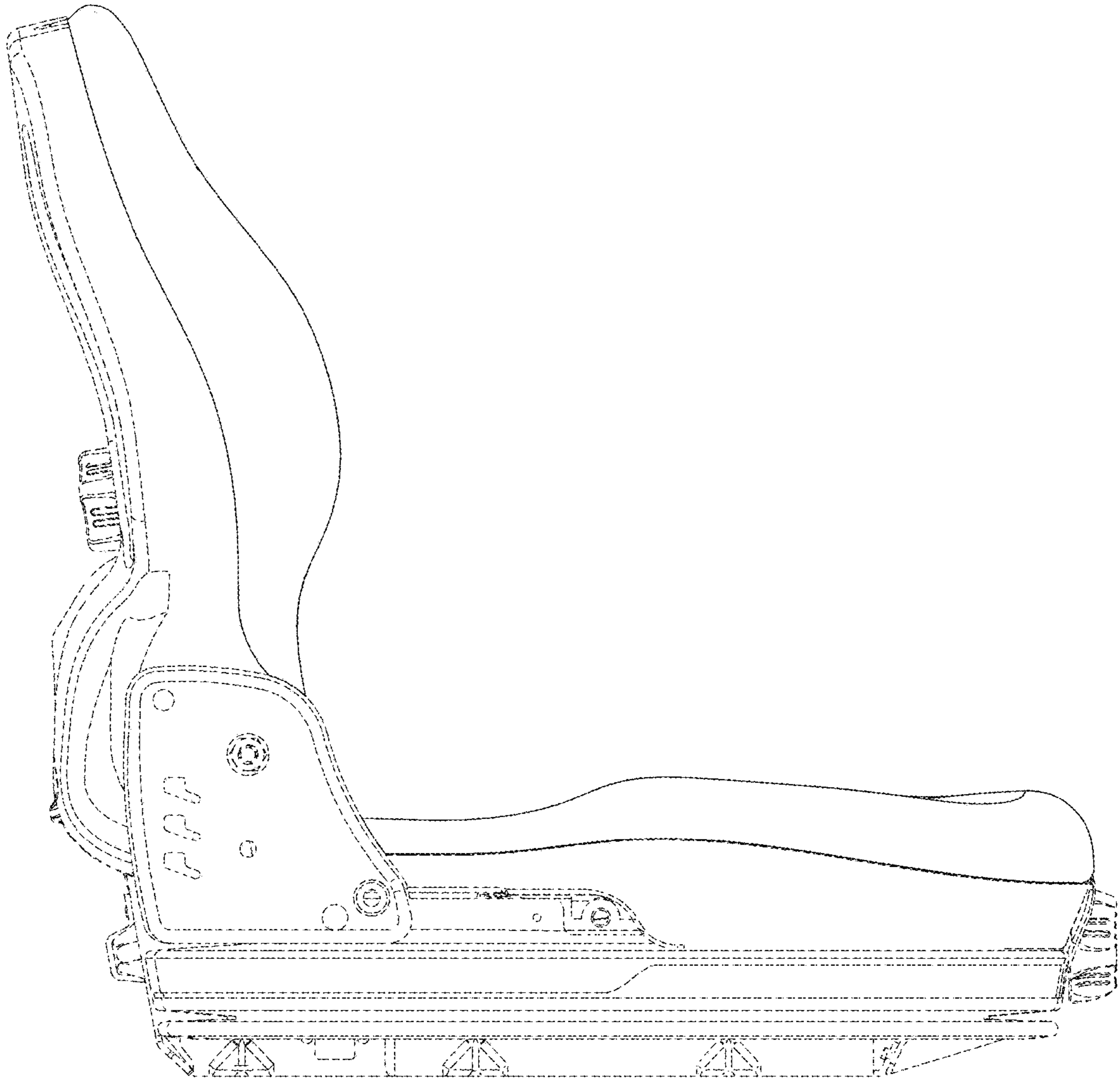


FIG. 3

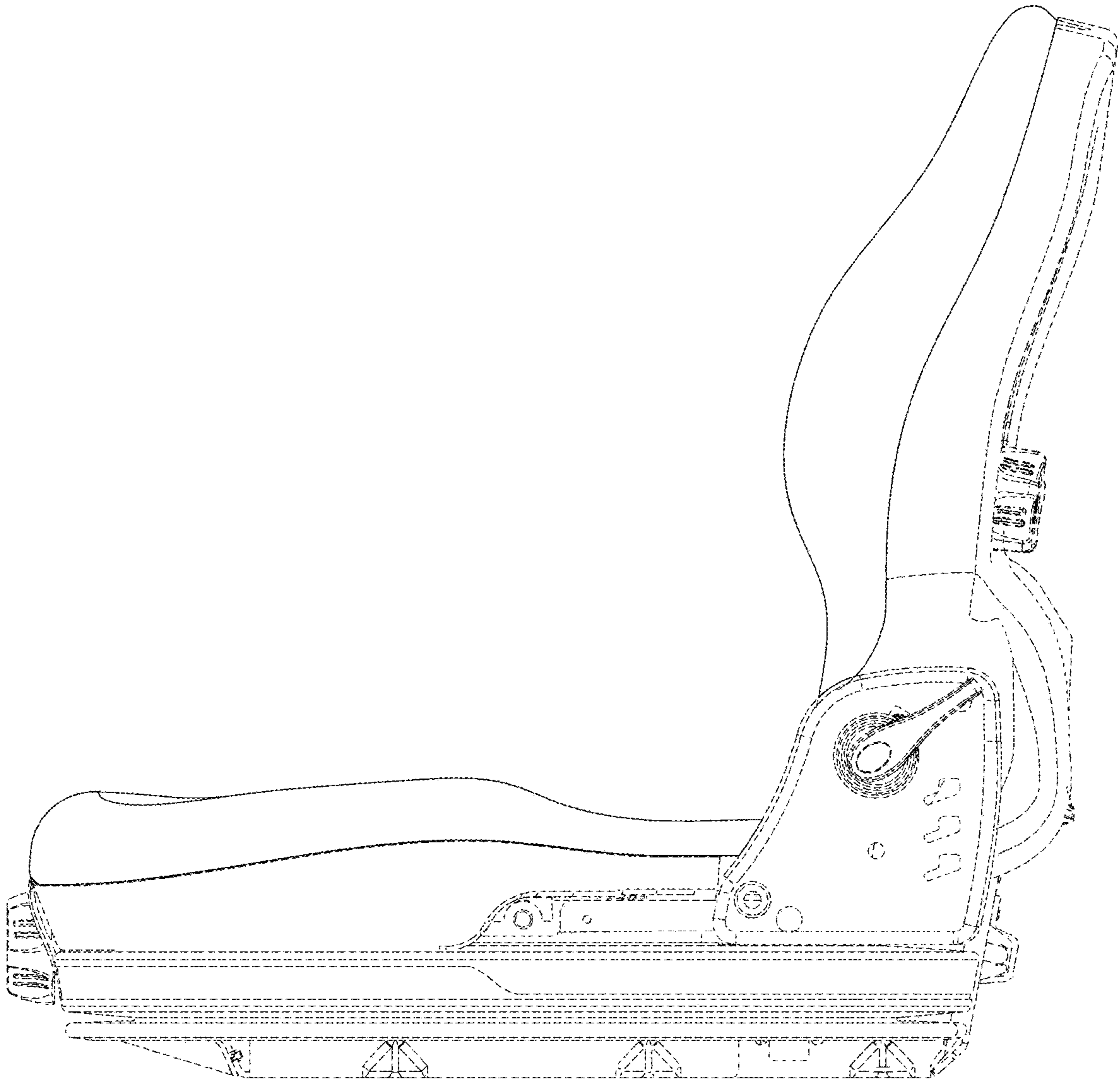


FIG. 4

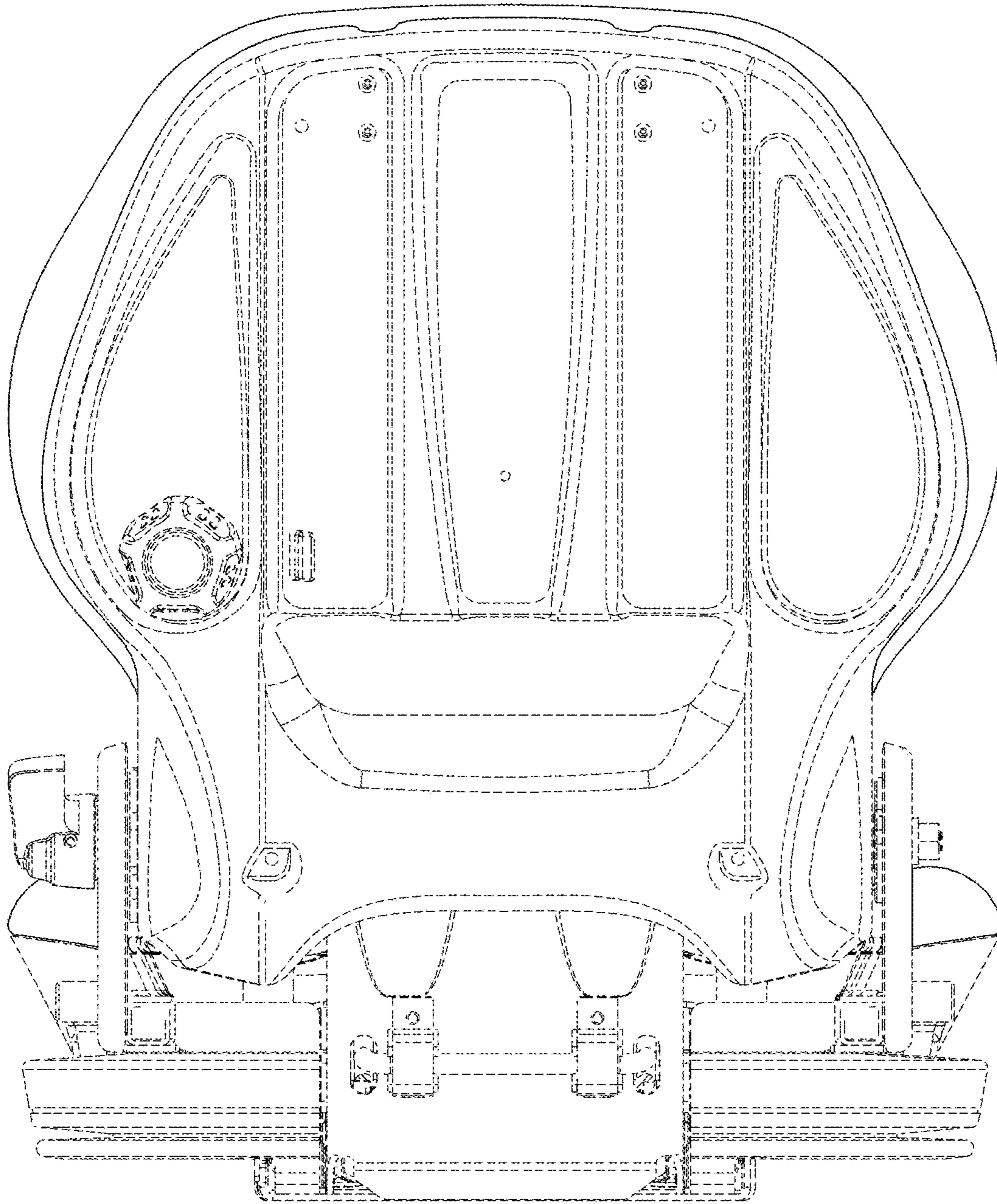


FIG. 5

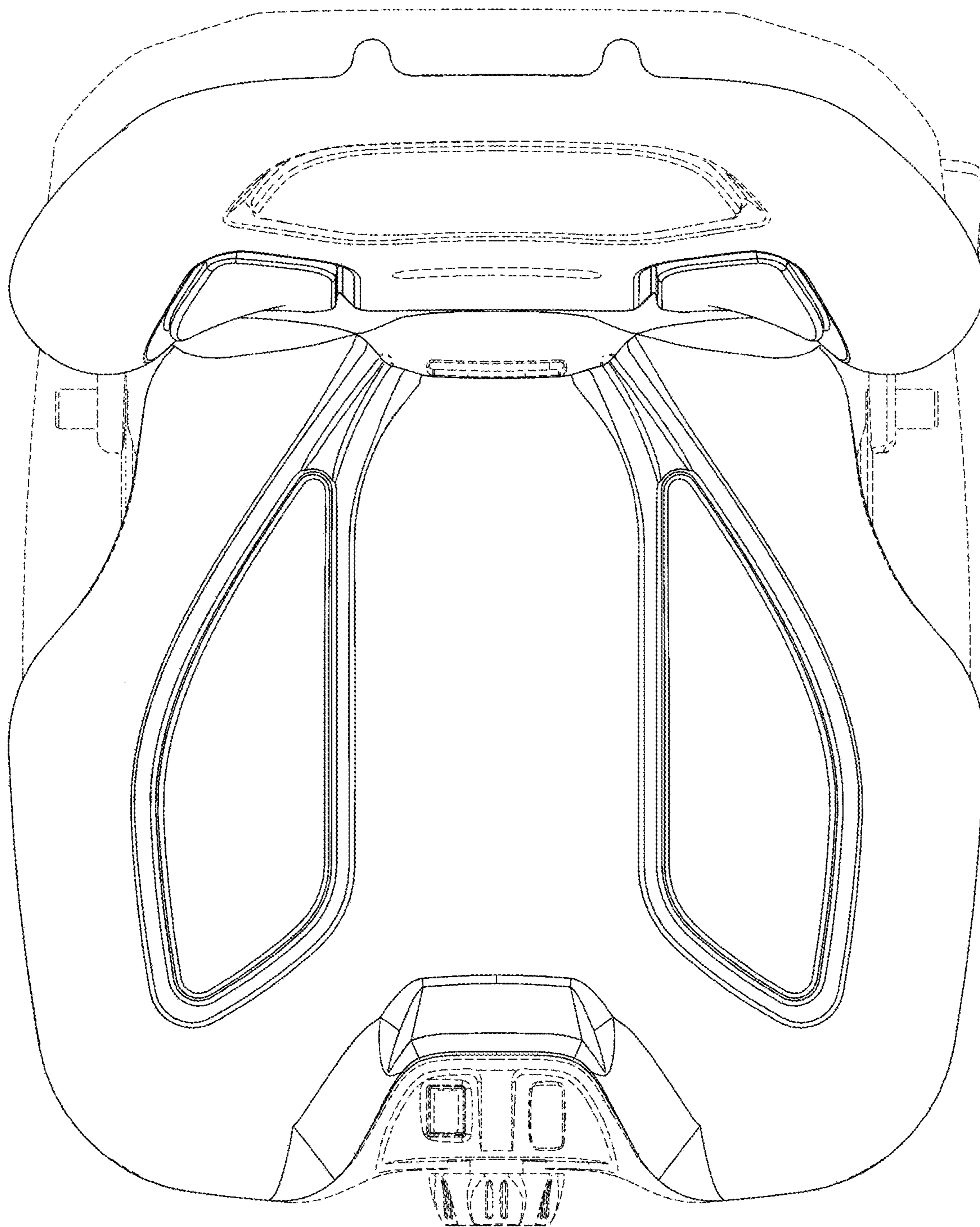


FIG. 6

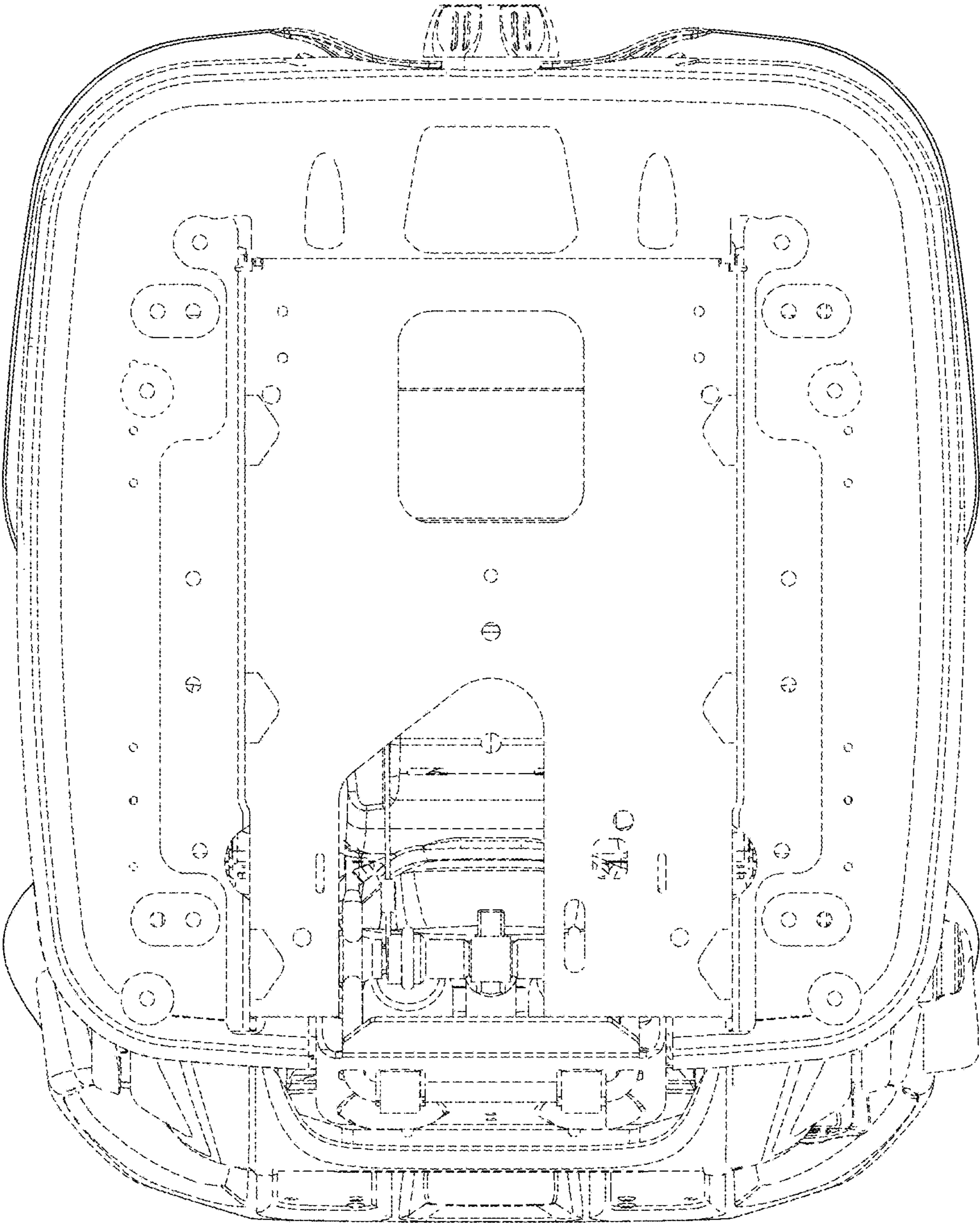


FIG. 7