



US00D788478S

(12) **United States Design Patent**
Sumroy et al.

(10) **Patent No.:** **US D788,478 S**

(45) **Date of Patent:** **** Jun. 6, 2017**

(54) **FOLDING CHILD'S CAR SEAT**

D400,724 S * 11/1998 Richter D6/335
D474,041 S * 5/2003 Howard D6/363
D495,511 S * 9/2004 Dingess D6/368

(71) Applicant: **Carfoldio LTD.**, Raanana (IL)

(Continued)

(72) Inventors: **Jon Sumroy**, Raanana (IL); **Eran Zur**, Karkur (IL); **Sahar Batsry**, Tel Aviv (IL); **Frank Schenk**, Tel Aviv (IL); **David Damshek**, Haifa (IL); **Ran Litvak**, Tel Aviv (IL); **Yoav Tikochinsky**, Tel Aviv (IL); **Mark Shahar**, Holon (IL); **Nir Barkai**, Kfar Sava (IL)

Primary Examiner — Abraham Bahta

(74) *Attorney, Agent, or Firm* — Robert G. Lev

(57) **CLAIM**

The ornamental design for a folding child's car seat, as shown and described.

DESCRIPTION

(73) Assignee: **Carfoldio LTD**, Raanana (IL)

(**) Term: **14 Years**

(21) Appl. No.: **29/516,718**

(22) Filed: **Feb. 5, 2015**

(51) **LOC (10) Cl.** **06-01**

(52) **U.S. Cl.**
USPC **D6/333**

(58) **Field of Classification Search**

USPC D6/333-336, 339-341, 344, 381, 491;
297/250.1, 255, 256.15, 183.1-183.4,
297/184.15, 184.17, 256.16;
D12/129-130, 133; 5/94, 98.2, 103-104,
5/655, 655.3; D21/419; 280/30-31
CPC A47C 4/54; A47C 4/00; A47C 4/02; A47C
4/04; A47C 4/18; A47C 4/28; A47C
7/021; A47C 7/022; A47C 31/11; A47C
1/00; A47C 1/024; A47C 1/031; A47C
1/06; A46C 7/021; A46C 7/022

See application file for complete search history.

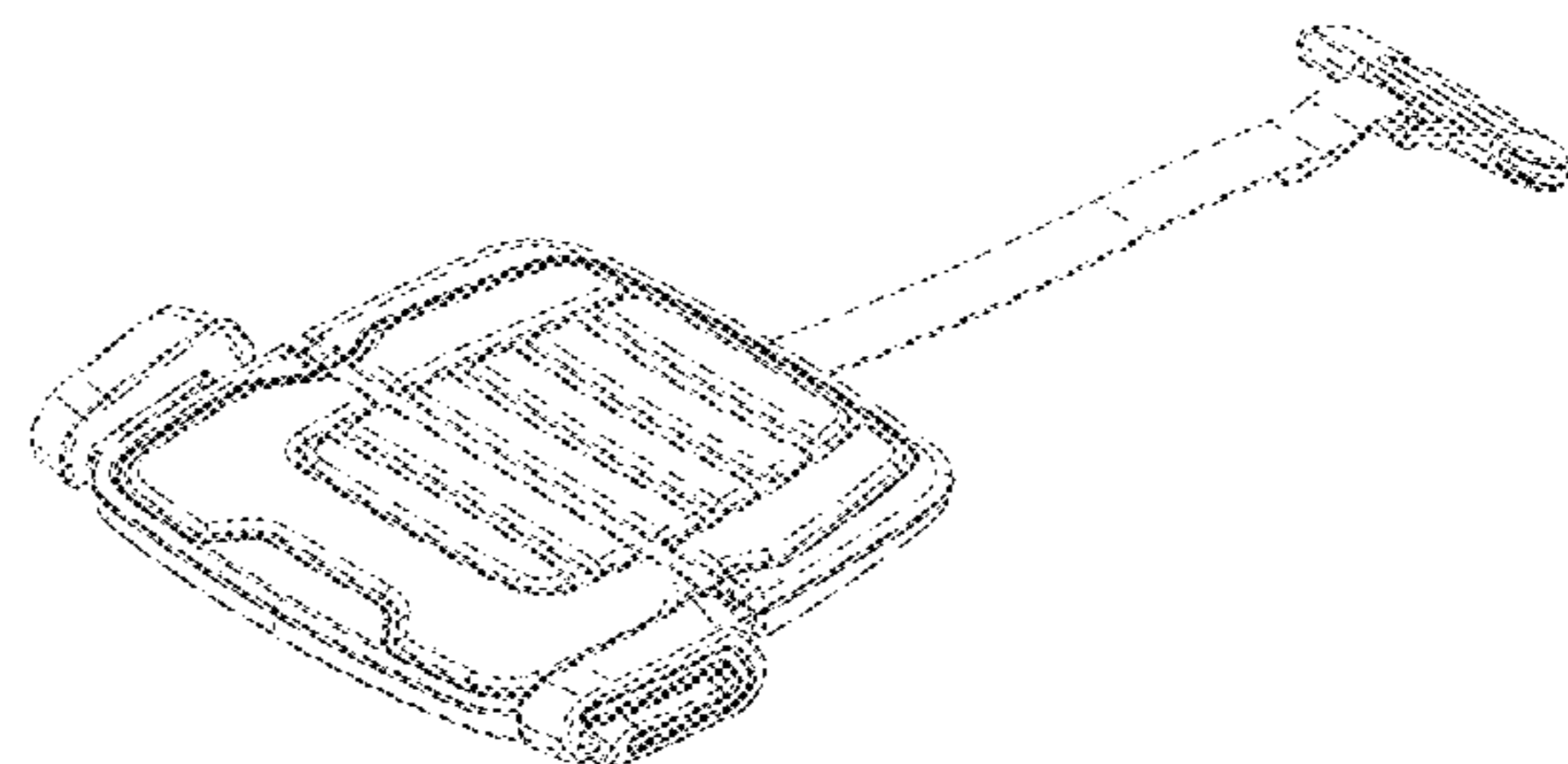
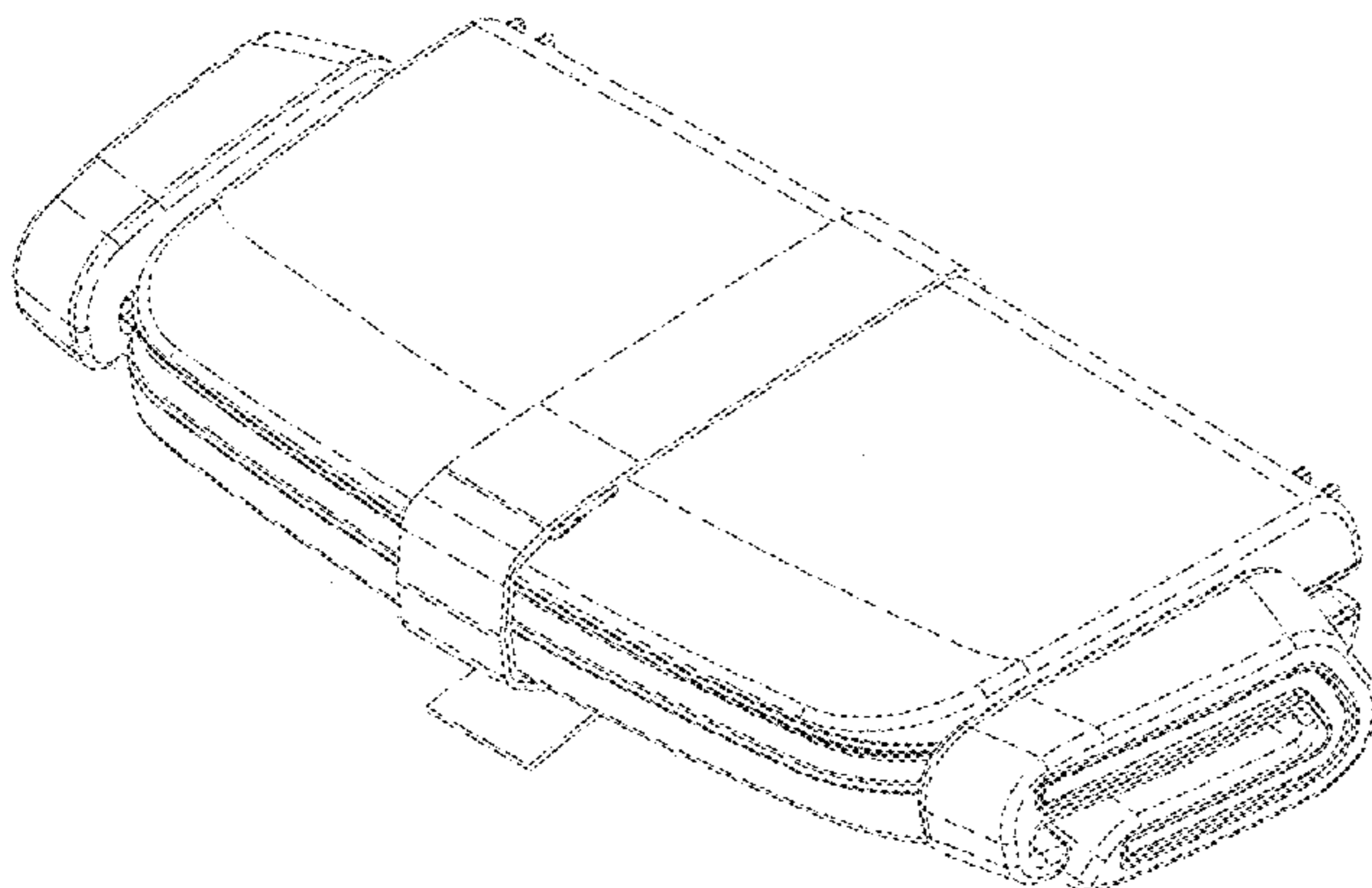
FIG. 1 is a top view of the inventive folding child's car seat in the closed position;
FIG. 2 is a bottom view thereof in the closed position;
FIG. 3 is a left side view of the folding child's car seat in the closed position;
FIG. 4 is a right side view of the folding child's car seat in the closed position;
FIG. 5 is a front view of the folding child's car seat in the closed position;
FIG. 6 is a rear view of the folding child's car seat in the closed position;
FIG. 7 is a top perspective view of the folding child's car seat in the closed position;
FIG. 8 is a top view of the folding child's car seat in the open position;
FIG. 9 is a bottom view of the folding child's car seat in the open position;
FIG. 10 is a left side view of the folding child's car seat in the open position;
FIG. 11 is a right side view of the folding child's car seat in the open position;
FIG. 12 is a front view of the folding child's car seat in the open position;
FIG. 13 is a rear view of the folding child's car seat in the open position; and,
FIG. 14 is a top perspective view of the folding child's car seat in the open position.

(56) **References Cited**

U.S. PATENT DOCUMENTS

D312,004 S * 11/1990 Smith D6/368
D338,345 S * 8/1993 Camp D6/335
D349,194 S * 8/1994 Hollis D6/368
D381,542 S * 7/1997 Gray D6/363

1 Claim, 14 Drawing Sheets



(56)

References Cited

U.S. PATENT DOCUMENTS

D524,065 S * 7/2006 Jacobs D6/335
D580,188 S * 11/2008 Self D6/353
D746,071 S * 12/2015 Haley D6/333

* cited by examiner

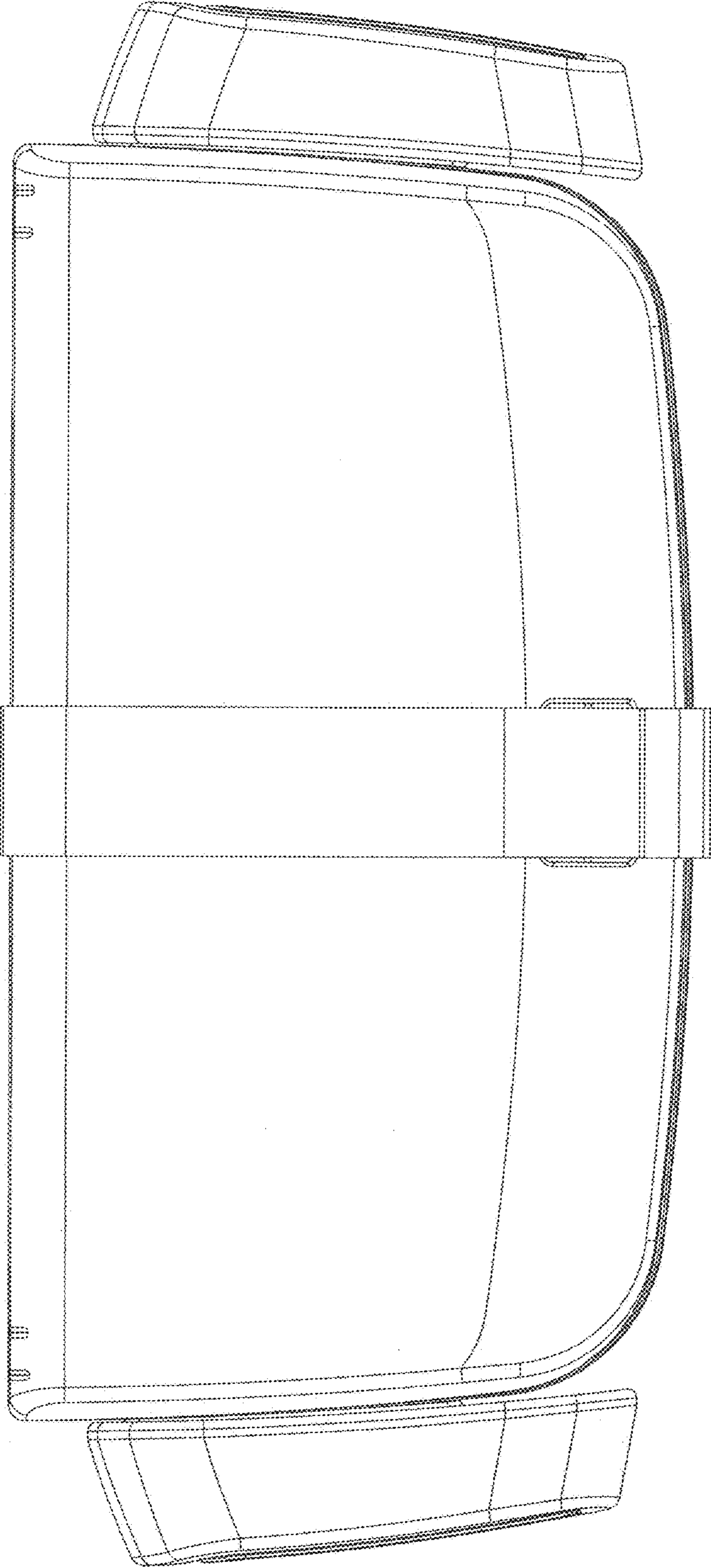


Fig. 1

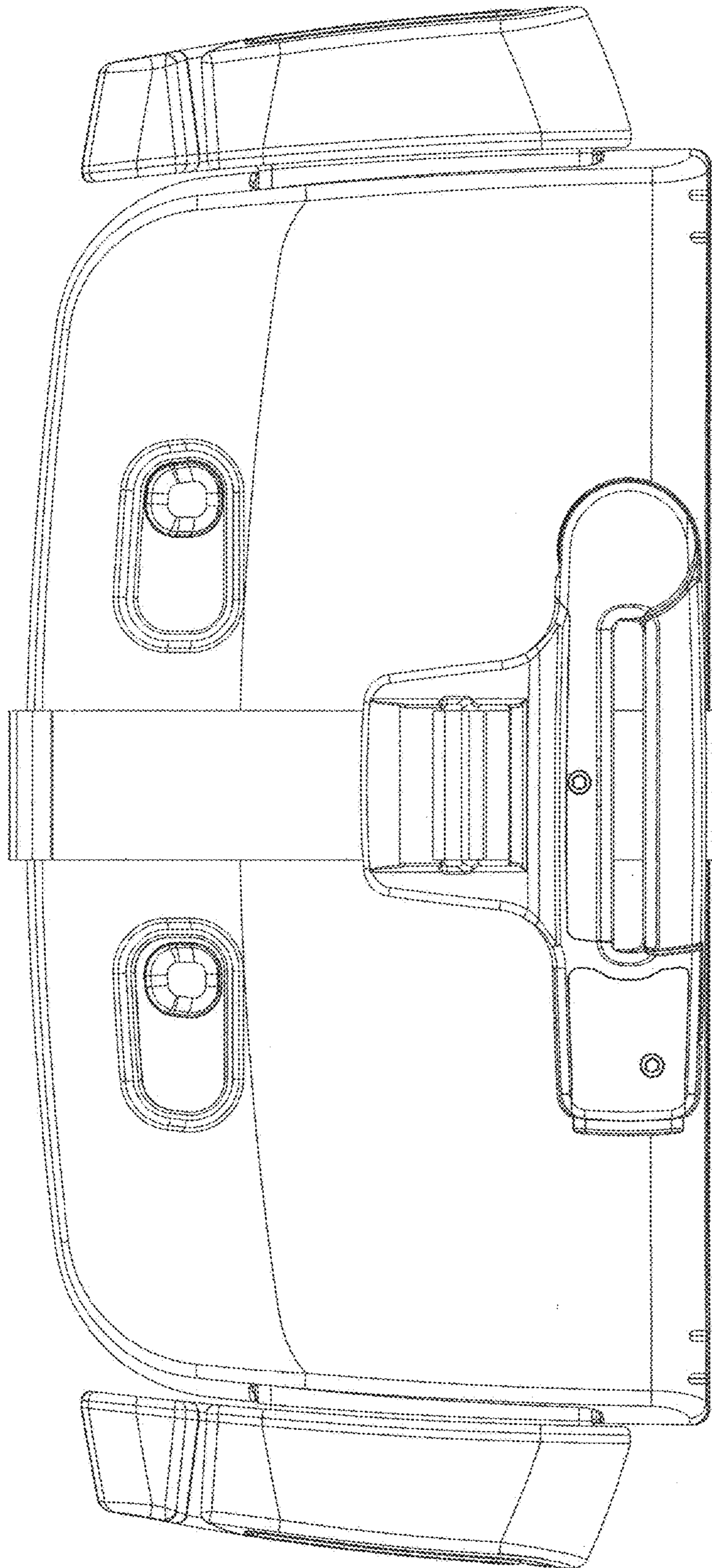


Fig. 2

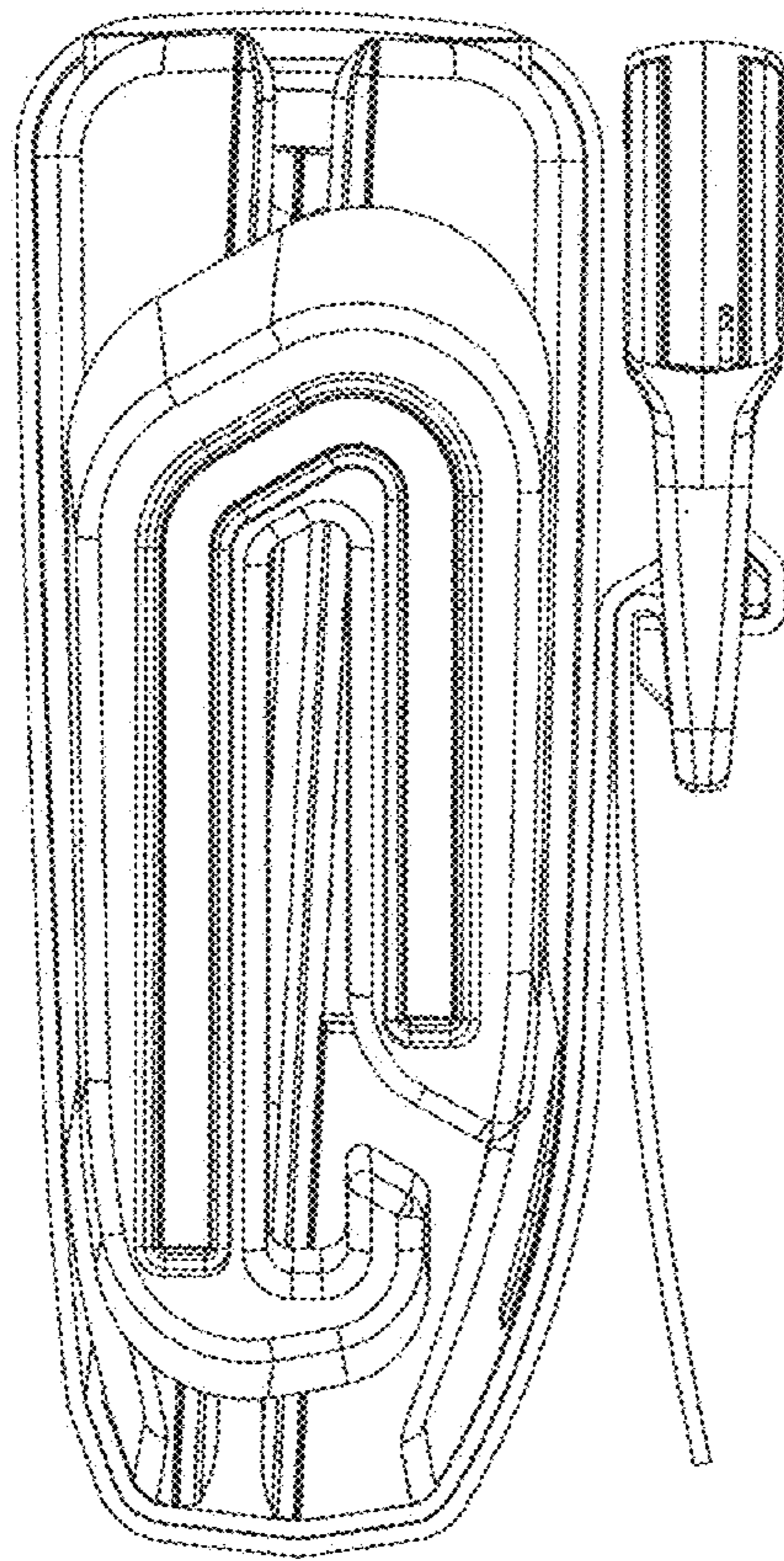


Fig. 3

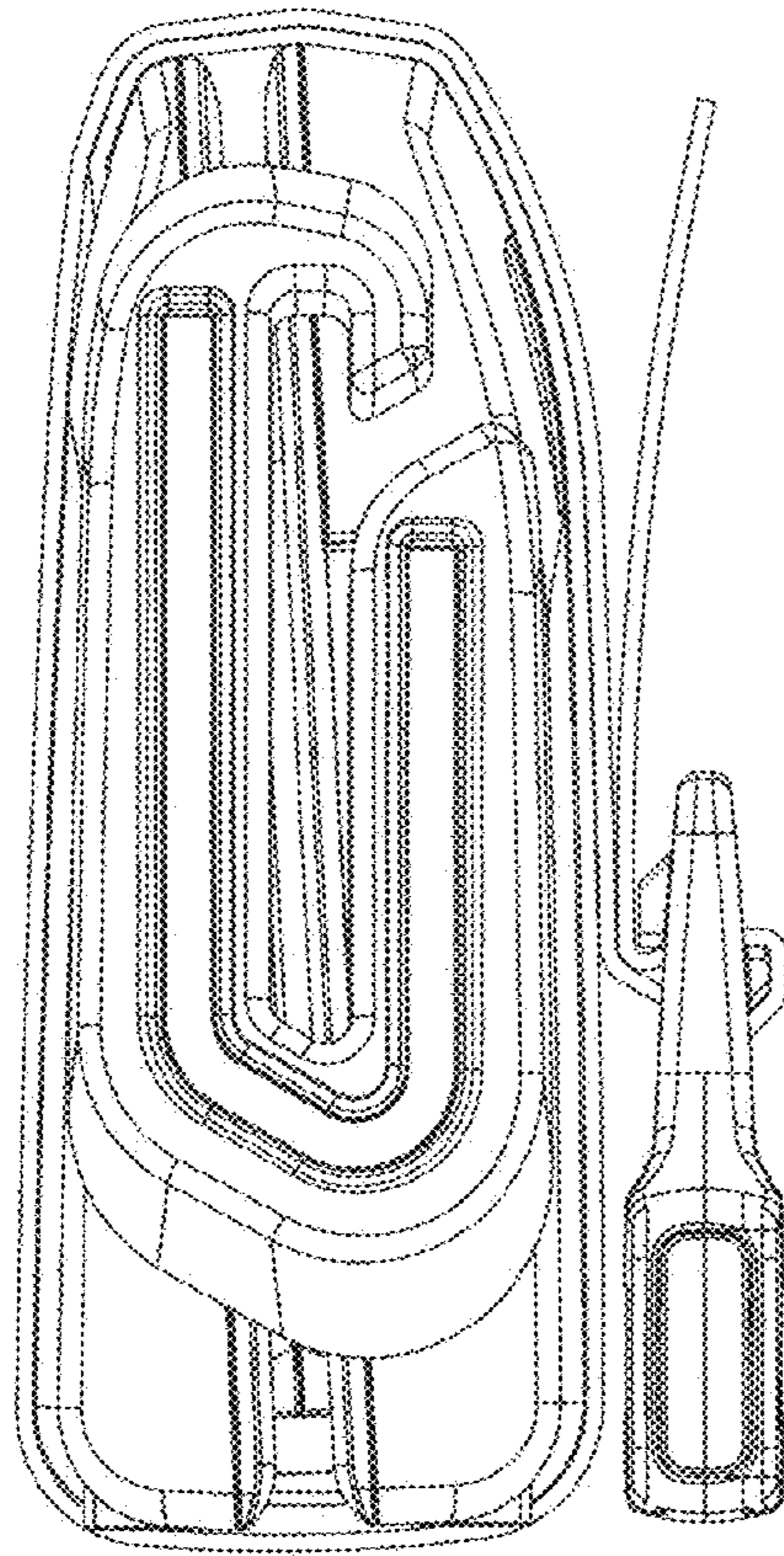


Fig. 4

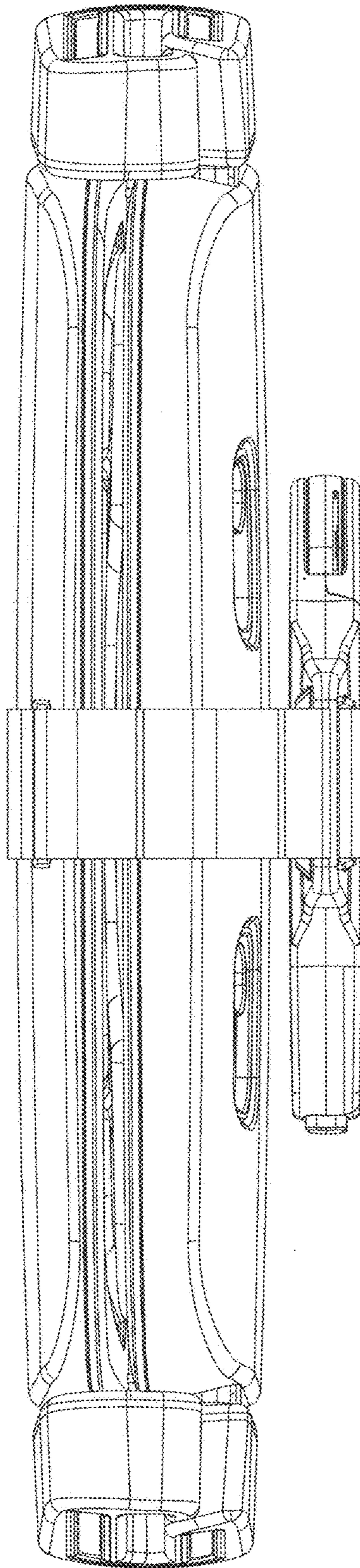


Fig. 5

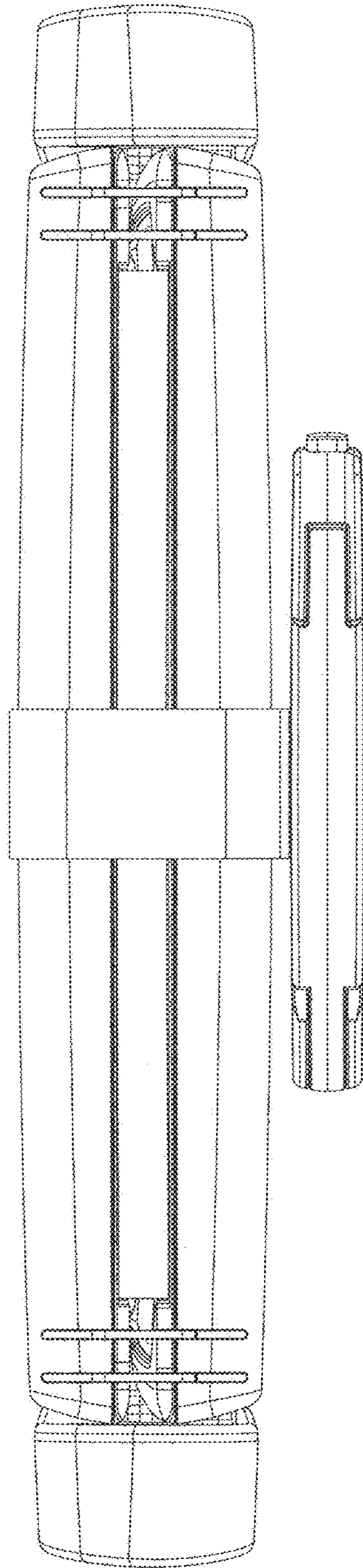


Fig. 6

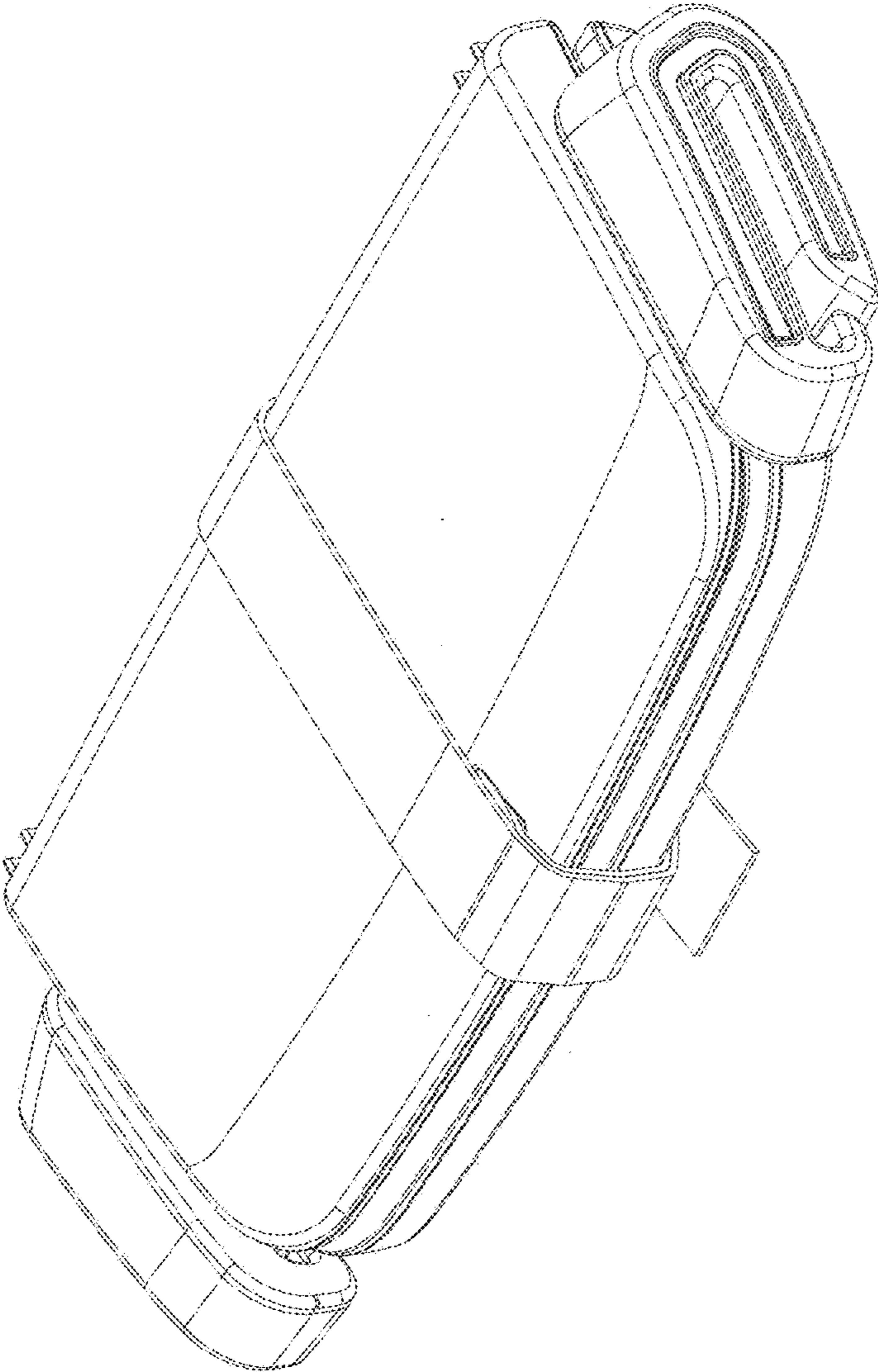


Fig. 7

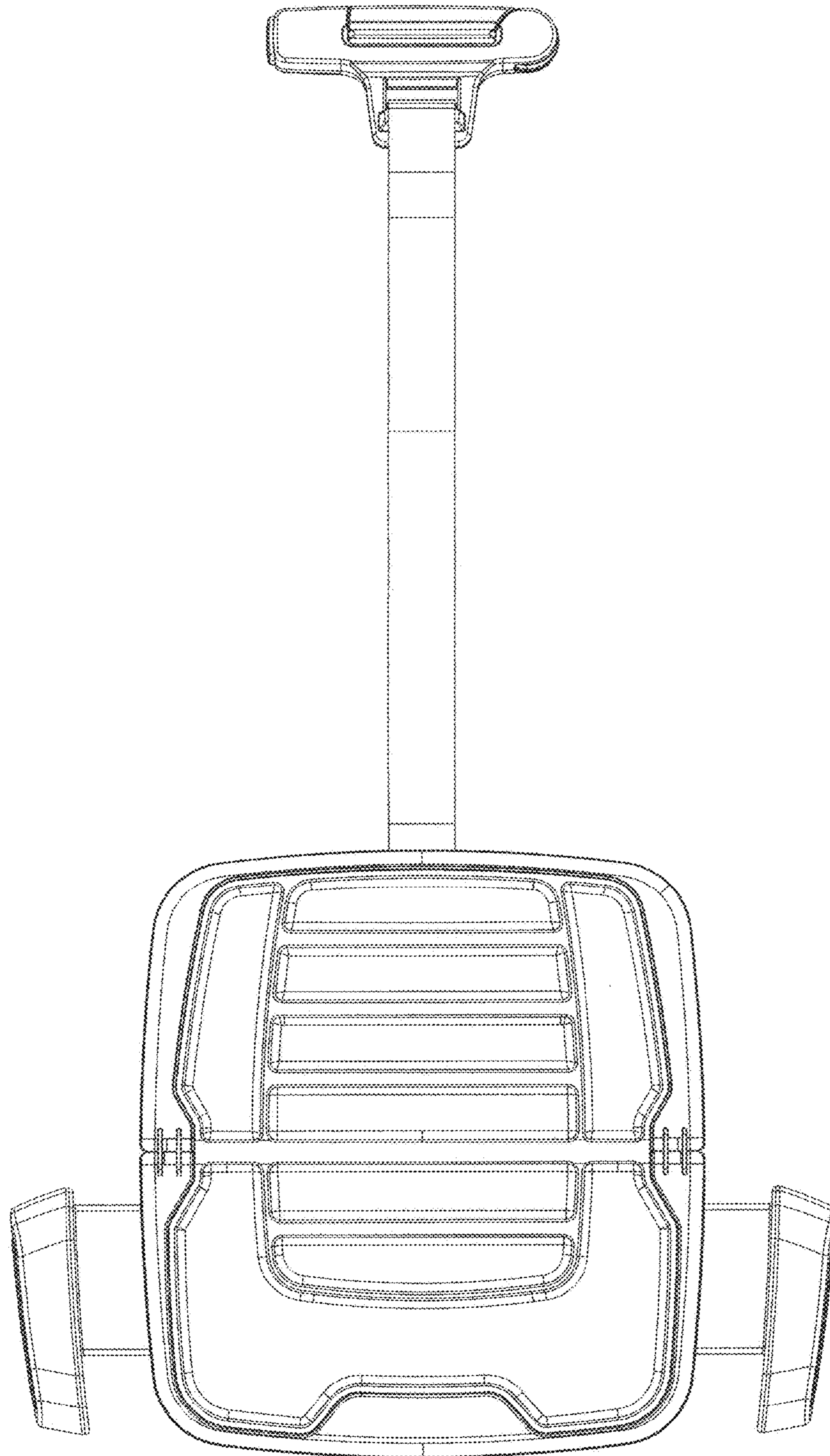


Fig. 8

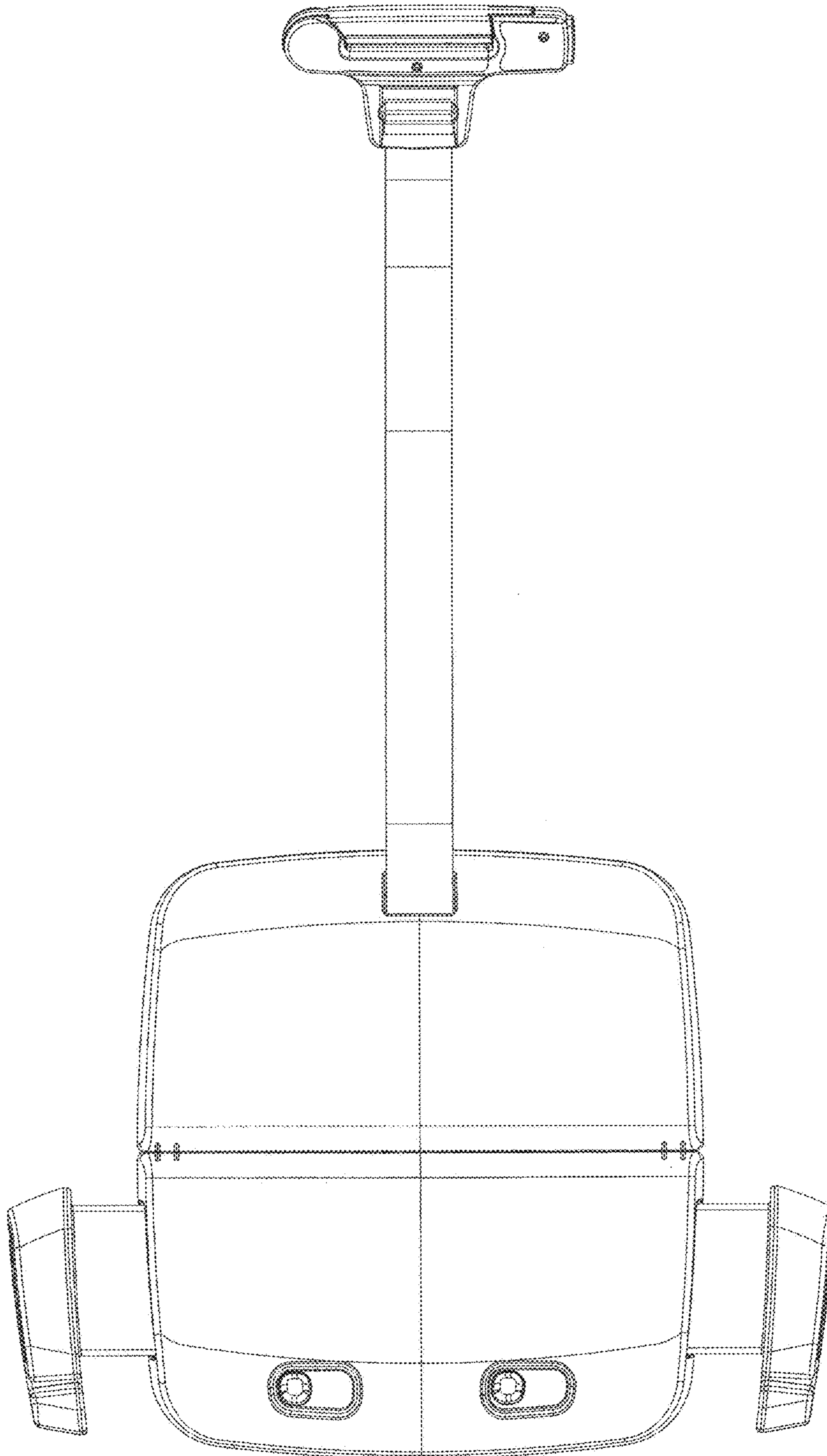


Fig. 9

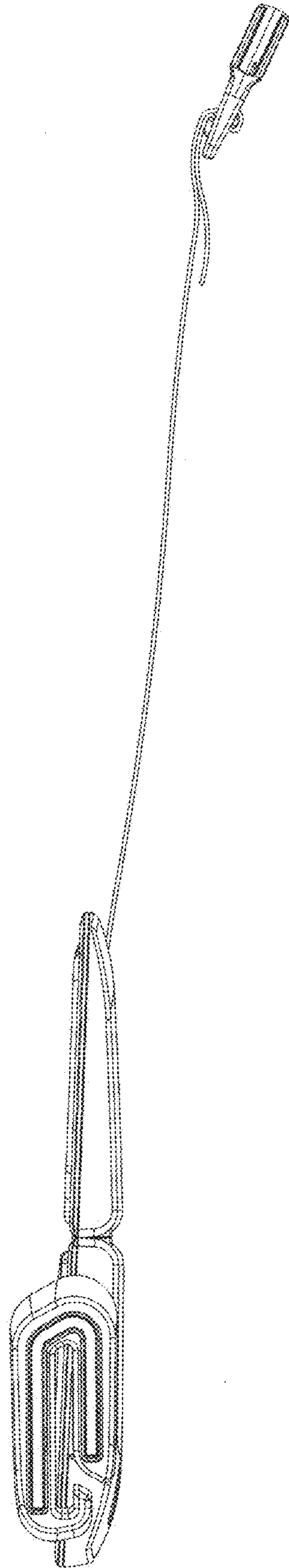


Fig. 10

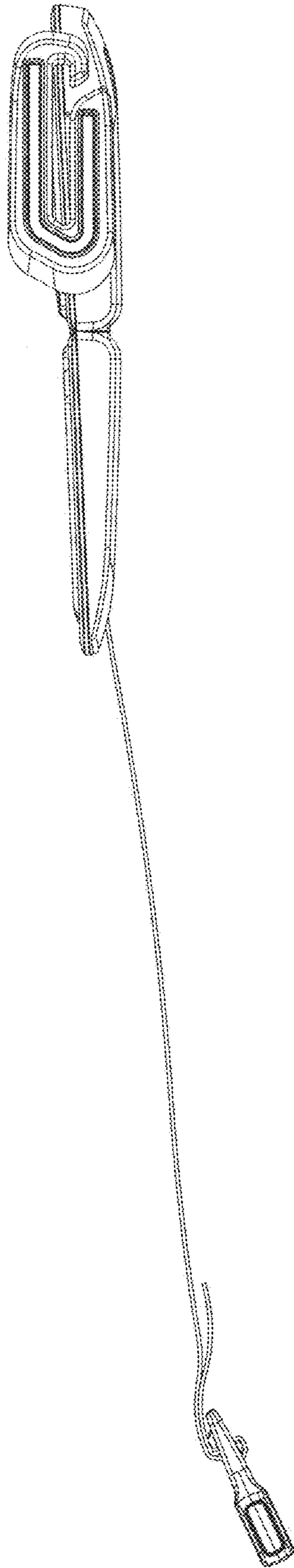


Fig. 11

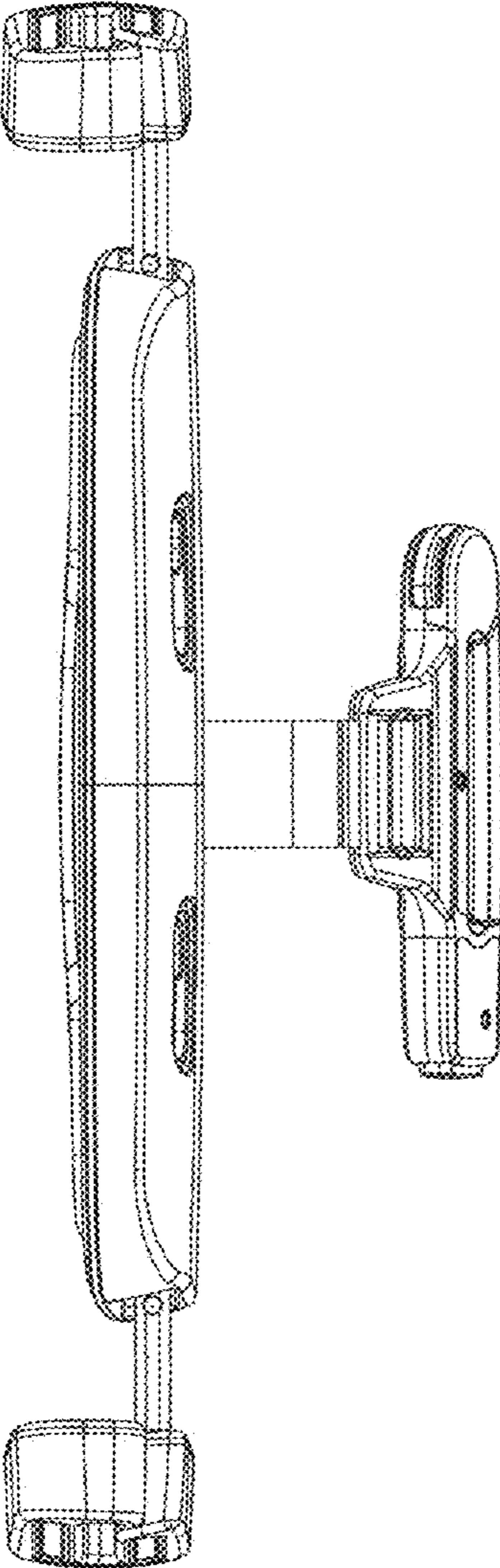


Fig. 12

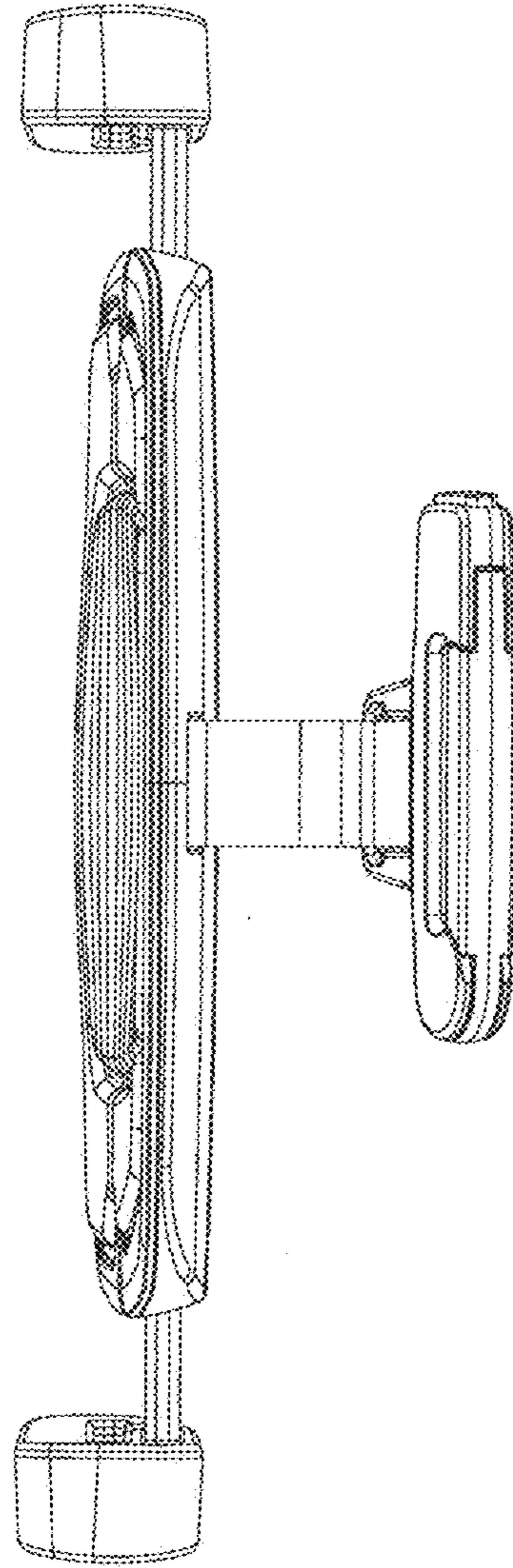


Fig. 13

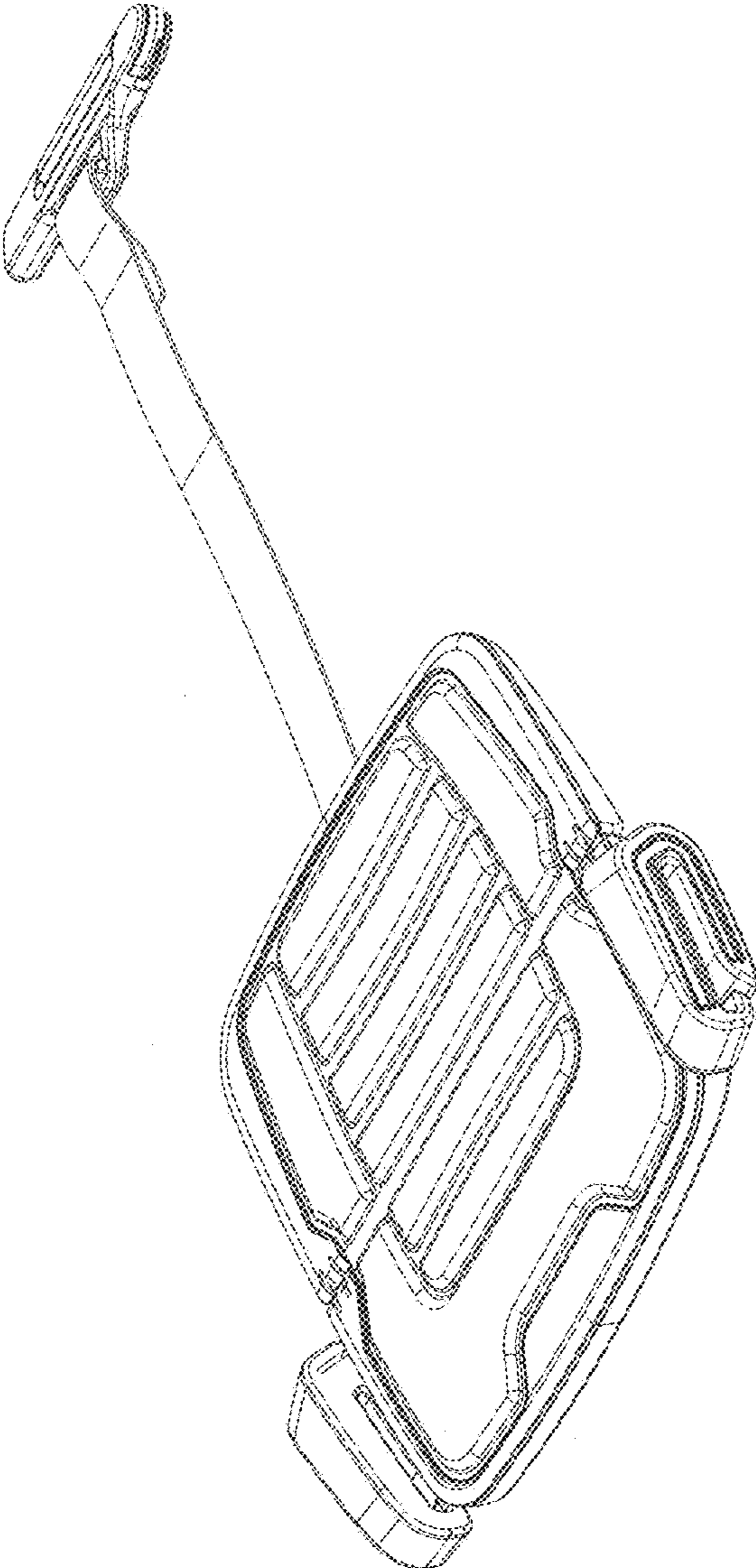


Fig. 14