



US00D788467S

(12) **United States Design Patent** (10) **Patent No.:** **US D788,467 S**
Ma (45) **Date of Patent:** **** Jun. 6, 2017**

(54) **ILLUMINABLE RECEPTACLE**
(71) Applicant: **SLIS, Inc.**, Darien, IL (US)
(72) Inventor: **Jiadong Ma**, Darien, IL (US)
(73) Assignee: **SLIS Inc.**, Darien, IL (US)
(**) Term: **15 Years**

D493,929 S * 8/2004 Schwarz D32/53
D536,172 S * 2/2007 Baez D3/304
D614,804 S * 4/2010 Davis D27/102
D639,612 S * 6/2011 Huang D7/608
D648,537 S * 11/2011 Kostner D3/242
D649,220 S * 11/2011 Vreeland D23/209
D655,915 S * 3/2012 Perez D3/309
D657,164 S * 4/2012 Grimaldi D32/53
D702,441 S * 4/2014 Perez-Segarra D3/308
D717,118 S * 11/2014 Frerichs D7/548
D728,238 S * 5/2015 Perez-Segarra D3/308
D732,783 S * 6/2015 MacArthur D34/1
2008/0000914 A1 * 1/2008 Frankenstein A45C 13/02
220/507

(21) Appl. No.: **29/552,351**

(22) Filed: **Jan. 21, 2016**

Related U.S. Application Data

(63) Continuation of application No. 14/853,430, filed on Sep. 14, 2015.

(51) **LOC (10) Cl.** **03-01**

(52) **U.S. Cl.**
USPC **D3/308**

(58) **Field of Classification Search**
USPC D3/304, 306-309, 315-316;
D7/601-603, 608, 709; D9/429-430;
D32/37, 53
CPC . B65D 1/00; B65D 1/22; B65D 25/28; B65D
25/2835
See application file for complete search history.

(56) **References Cited**

U.S. PATENT DOCUMENTS

D386,341 S * 11/1997 Walker D23/303
D417,326 S * 11/1999 Greene D32/53

* cited by examiner

Primary Examiner — Kelley Donnelly

(74) *Attorney, Agent, or Firm* — Greenberg Traurig, LLP

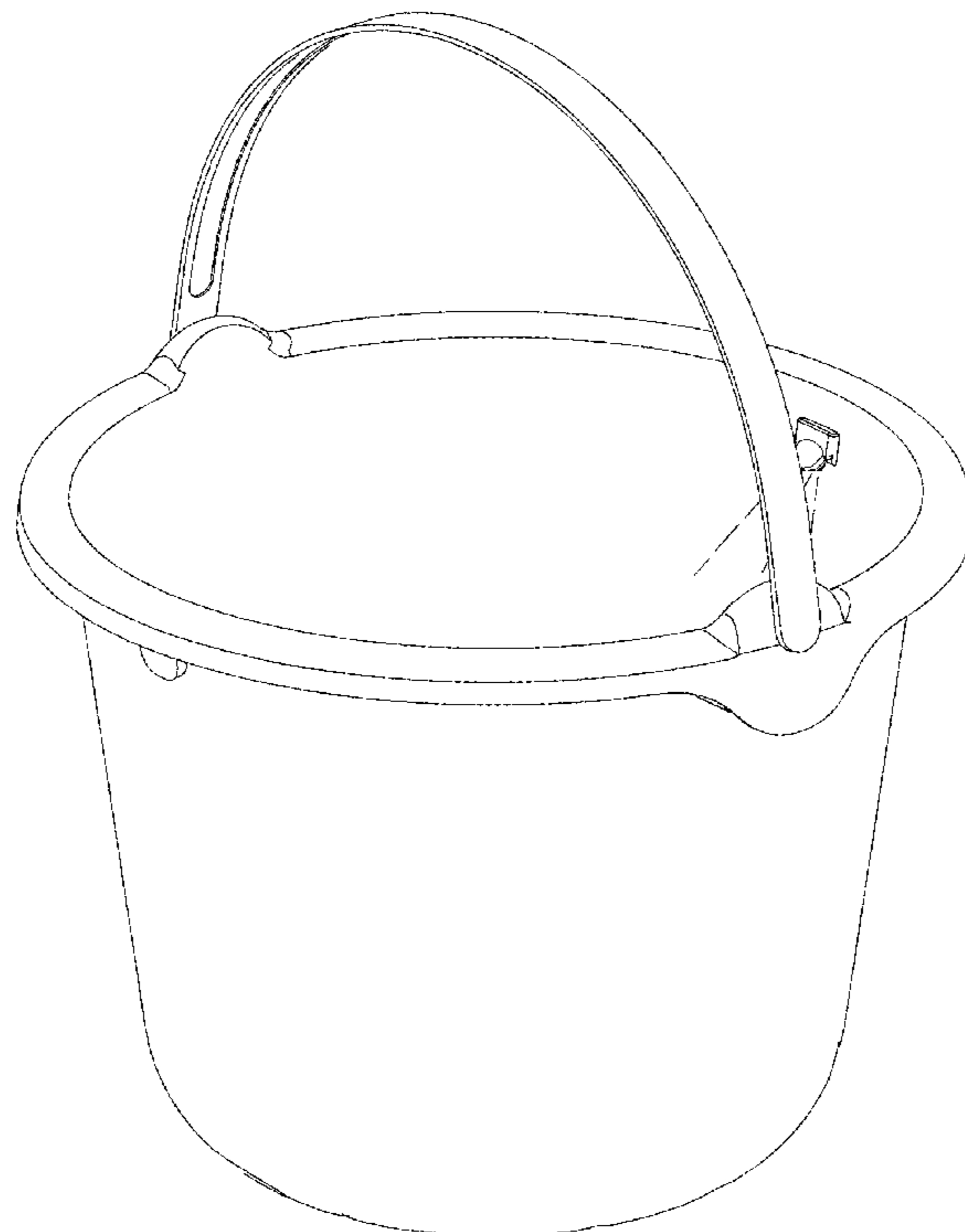
(57) **CLAIM**

What is claimed is the ornamental design for an illuminable receptacle, as shown and described.

DESCRIPTION

FIG. 1 is a perspective top view of an illuminable receptacle.
FIG. 2 is a top view thereof.
FIG. 3 is a bottom view thereof.
FIG. 4 is a front view thereof.
FIG. 5 is a back view thereof.
FIG. 6 is a left view thereof; and,
FIG. 7 is a right view thereof.

1 Claim, 7 Drawing Sheets



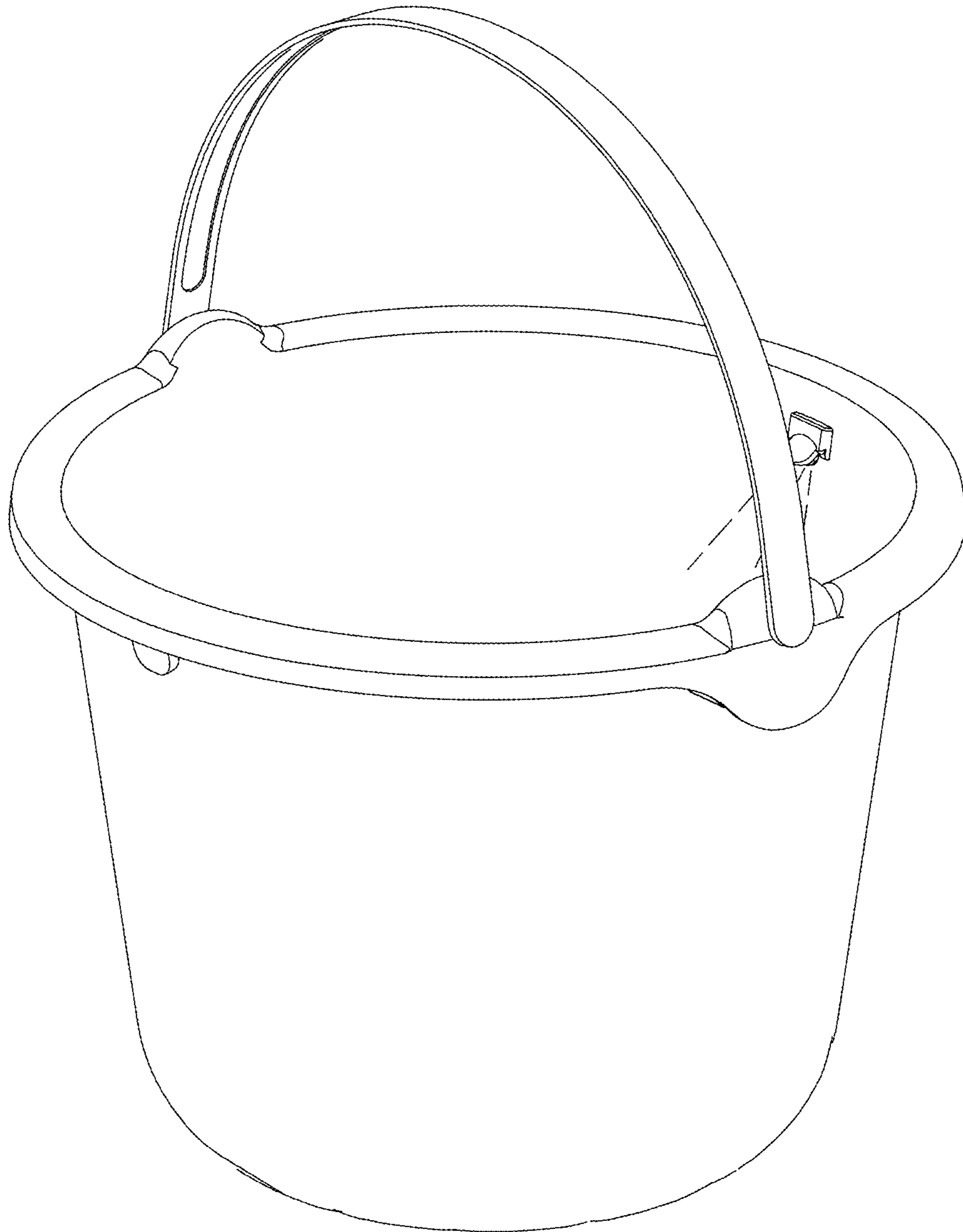


FIG.1

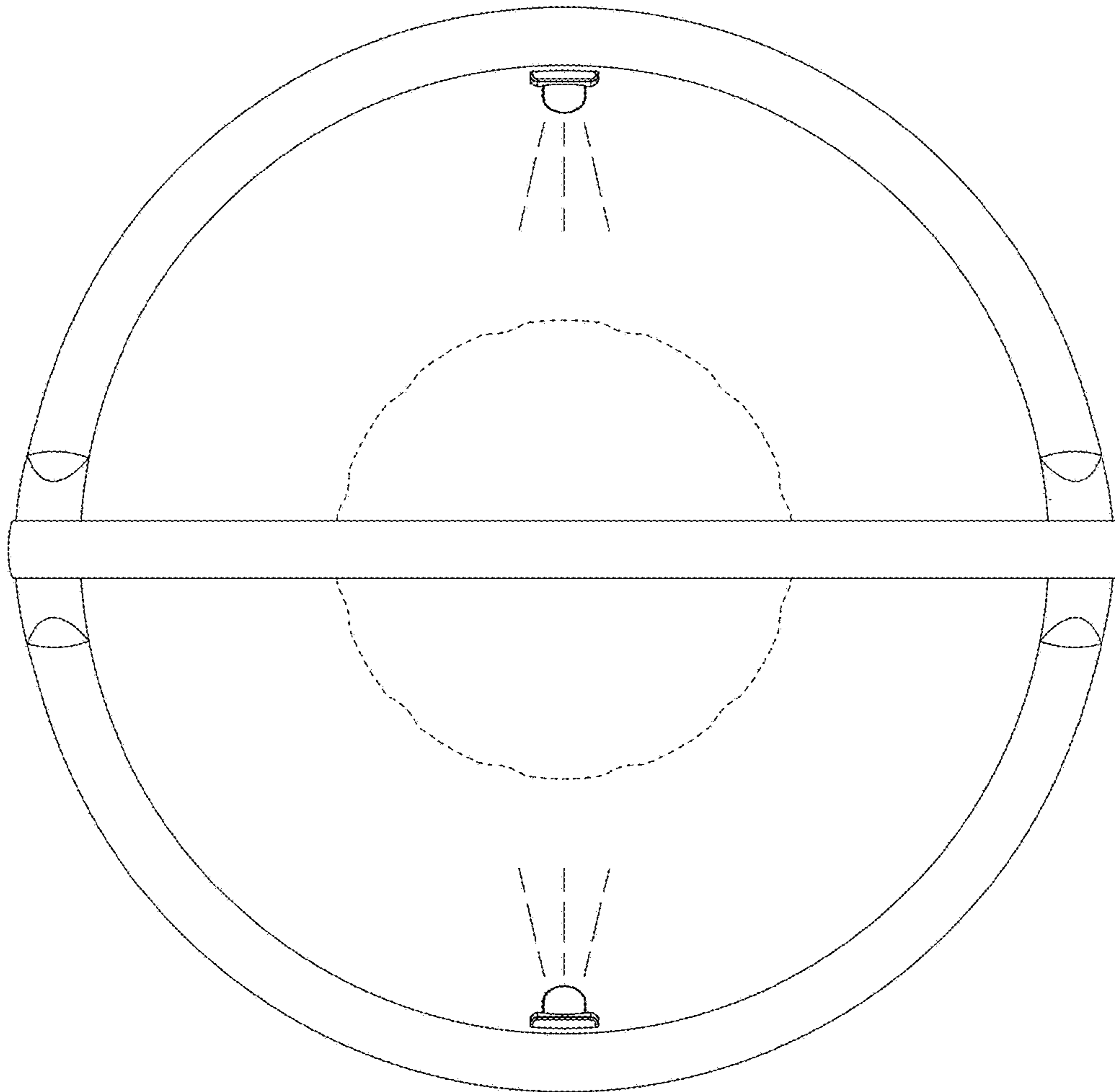


FIG. 2

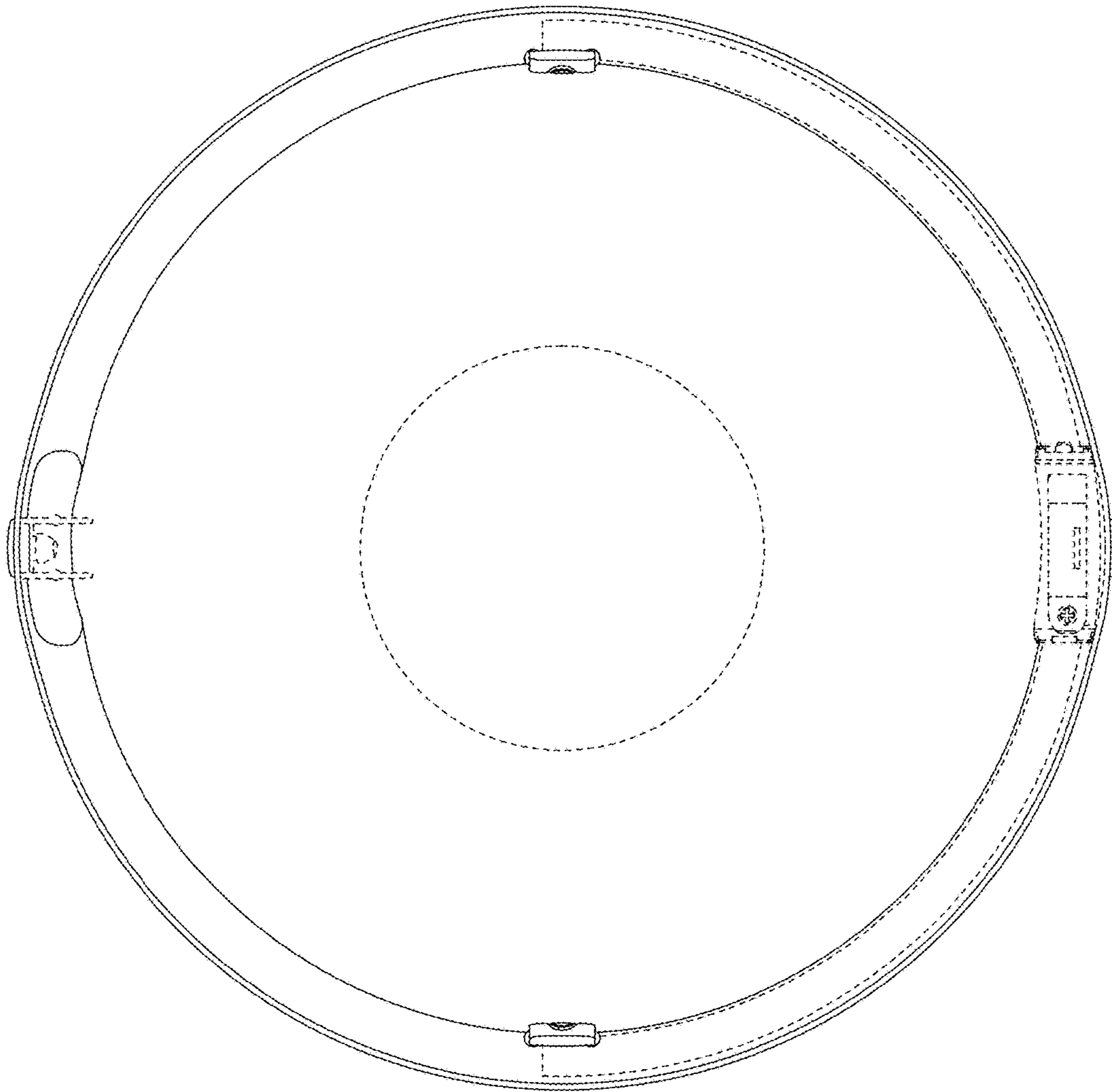


FIG.3

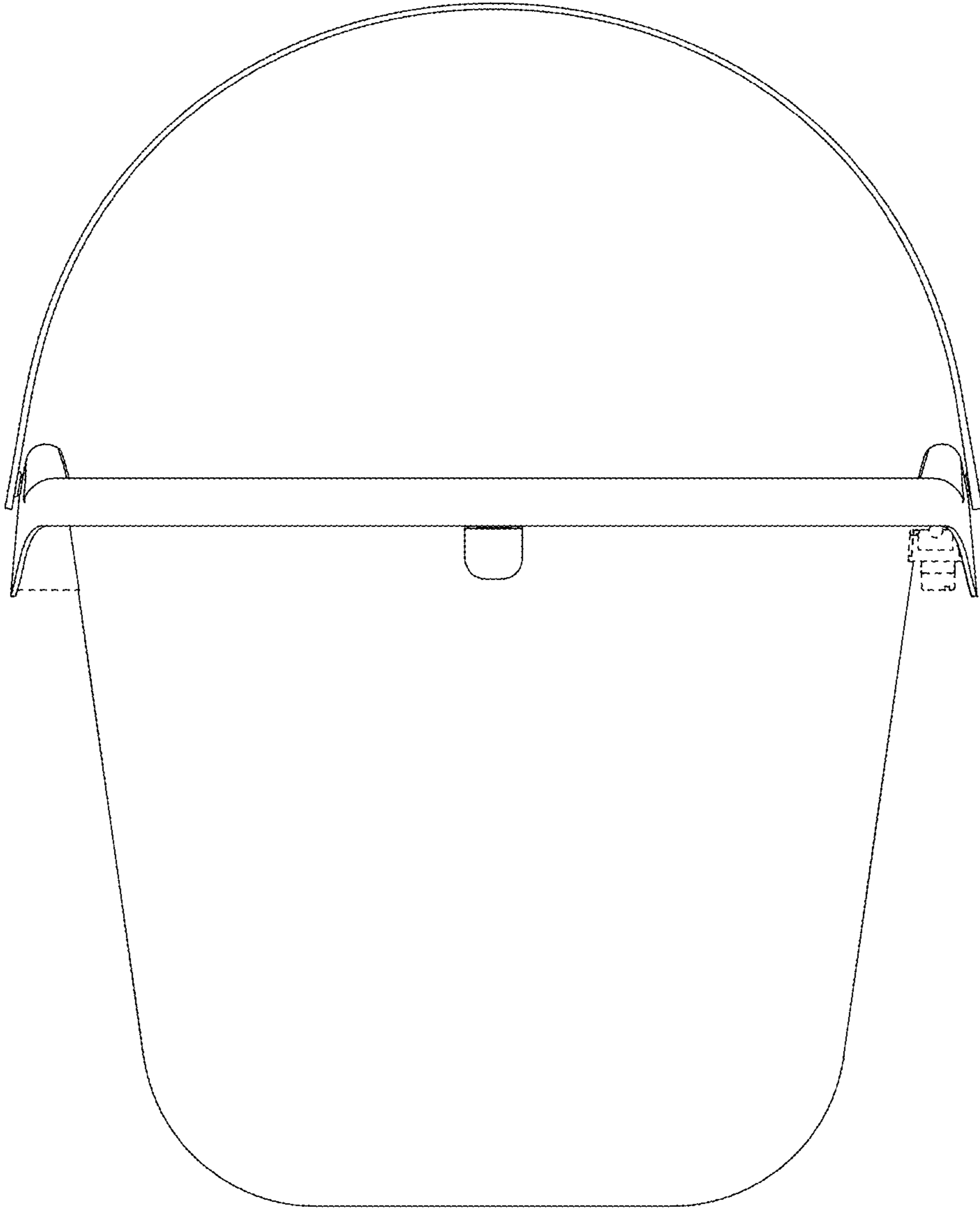


FIG.4

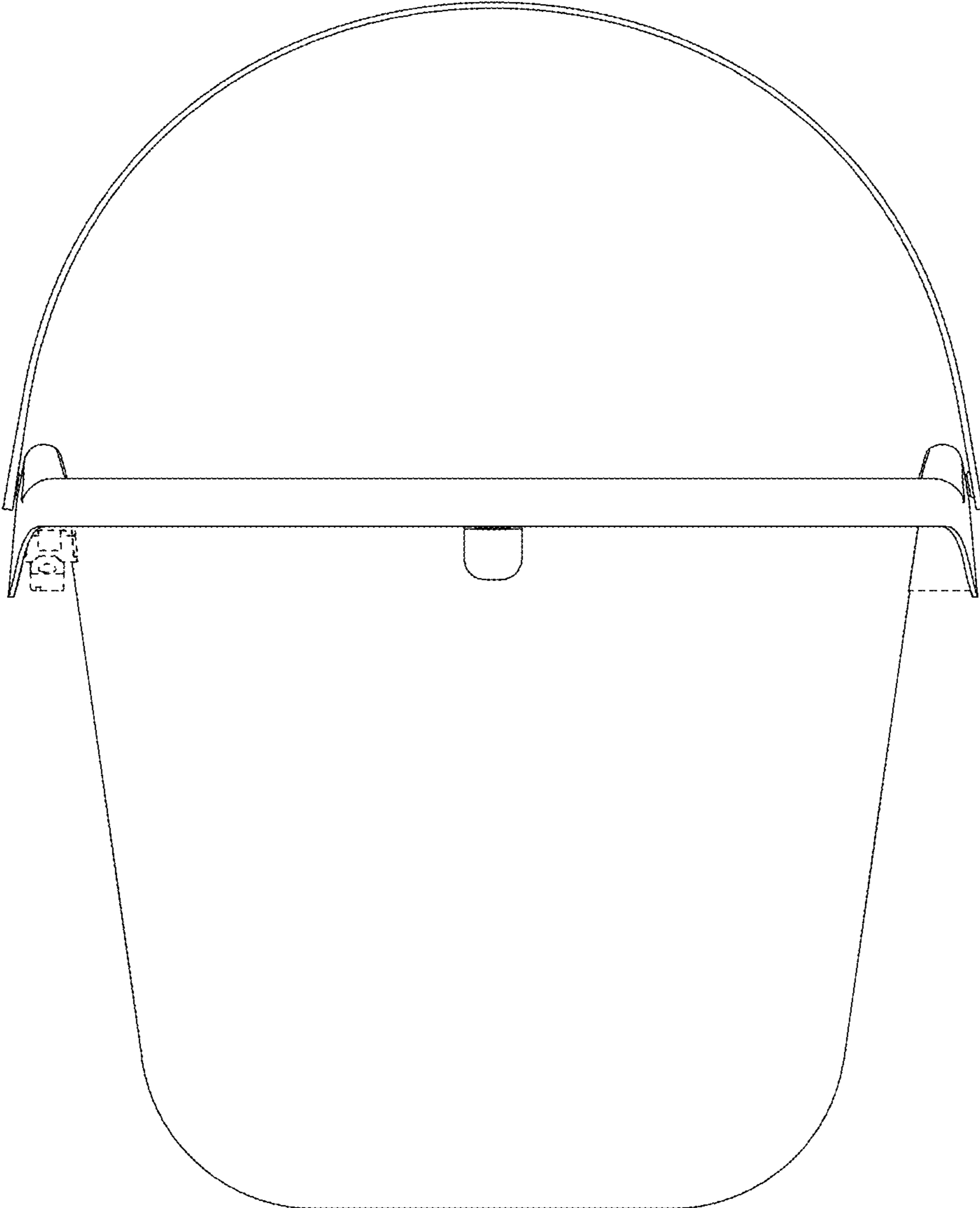


FIG.5

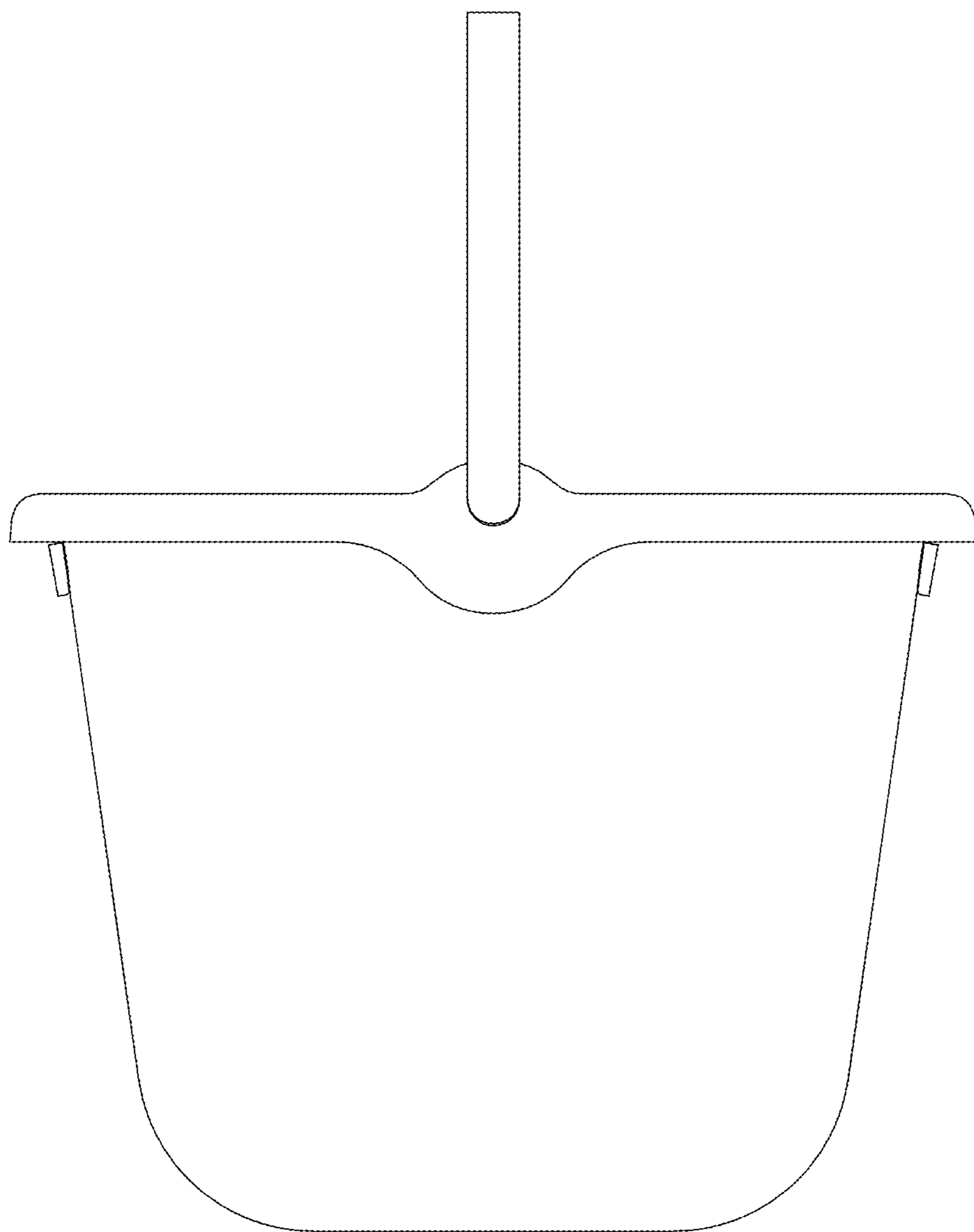


FIG.6

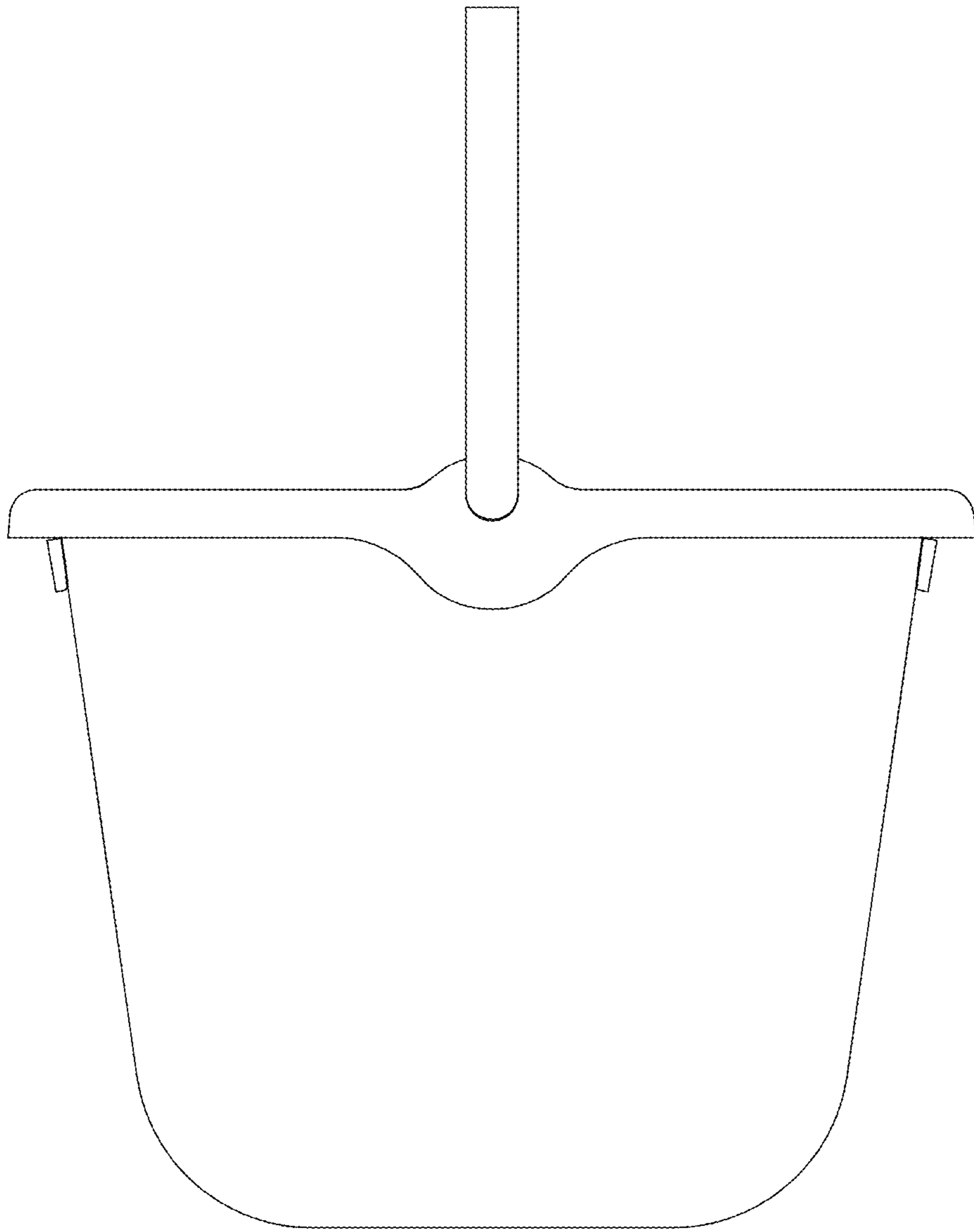


FIG.7