



US00D788464S

(12) **United States Design Patent** (10) **Patent No.:** **US D788,464 S**  
**Jin** (45) **Date of Patent:** **\*\* Jun. 6, 2017**

(54) **HOLDER FOR DRAWINGS**  
(71) Applicant: **STAEDTLER MARS GMBH & CO.**  
**KG, Nürnberg (DE)**  
(72) Inventor: **Kuramoto Jin, Tokyo (JP)**  
(73) Assignee: **STAEDTLER MARS GMBH & CO.**  
**KG, Nürnberg (DE)**  
(\*\*) Term: **15 Years**  
(21) Appl. No.: **35/500,456**  
(22) Filed: **Jul. 2, 2015**  
(80) **Hague Agreement Data**  
Int. Filing Date: **Jul. 2, 2015**  
Int. Reg. No.: **DM/087160**  
Int. Reg. Date: **Jul. 2, 2015**  
Int. Reg. Pub. Date: **Jan. 8, 2016**

(30) **Foreign Application Priority Data**  
Dec. 2, 2015 (EM) ..... 002632679-0001  
(51) **LOC (10) Cl.** ..... **03-01**  
(52) **U.S. Cl.**  
USPC ..... **D3/300**  
(58) **Field of Classification Search**  
USPC ..... D3/201, 202, 217, 254, 255, 260, 262,  
D3/269, 273, 300; 206/225, 226, 409,  
206/224, 315.11, 315.2; 224/227, 257  
CPC . B65D 83/0882; A45F 5/00; A45F 2200/0583  
See application file for complete search history.

(56) **References Cited**  
U.S. PATENT DOCUMENTS  
D153,606 S \* 5/1949 Hilby ..... D3/300  
D153,607 S \* 5/1949 Hilby ..... D3/300  
2,507,403 A \* 5/1950 Gluck ..... B65D 83/0882  
206/395

D271,162 S \* 11/1983 Evans ..... D3/254  
D276,285 S \* 11/1984 Tober ..... D3/300  
D283,758 S \* 5/1986 Stewart ..... 224/148.4  
D291,842 S \* 9/1987 Baumgardner ..... D3/254  
D320,810 S \* 10/1991 Koiso ..... D18/43  
D334,689 S \* 4/1993 Mason ..... D3/202  
D343,953 S \* 2/1994 Marques ..... D3/203.1  
D349,602 S \* 8/1994 Denault ..... D3/229  
D353,044 S \* 12/1994 Riley ..... D3/228  
D366,413 S \* 1/1996 Tober ..... D9/429  
D370,337 S \* 6/1996 Hodson ..... D3/201  
D410,333 S \* 6/1999 Coca ..... D3/260  
D470,308 S \* 2/2003 McGeehan ..... D3/228  
D478,726 S \* 8/2003 Masso ..... D3/260  
D517,315 S \* 3/2006 Amin ..... D3/273  
D688,042 S \* 8/2013 King ..... D3/276  
D691,800 S \* 10/2013 Kallas ..... D3/260  
D731,780 S \* 6/2015 Mingo ..... D3/11

\* cited by examiner

*Primary Examiner* — Barbara Fox  
*Assistant Examiner* — Holly E Thurman  
(74) *Attorney, Agent, or Firm* — Lucas & Mercanti, LLP;  
Klaus P. Stoffel

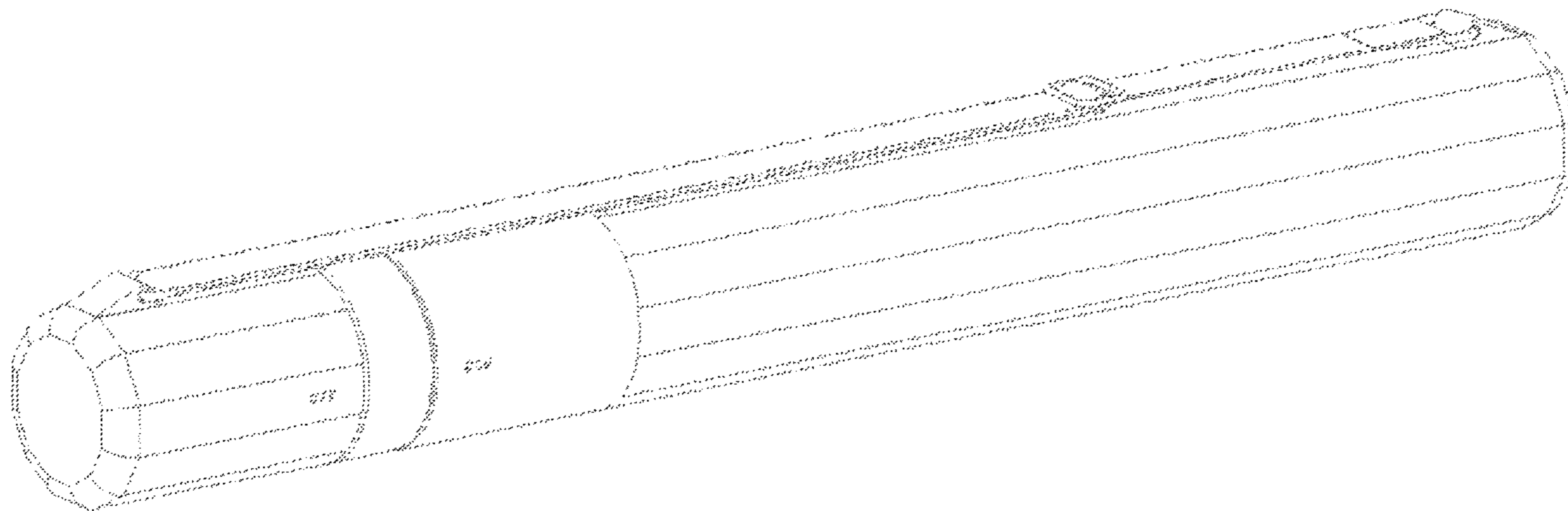
(57) **CLAIM**

The ornamental design for a holder for drawings, as shown and described.

**DESCRIPTION**

1. Holder for drawings  
Fig. 1.1 is a front, perspective view of the holder for drawings showing the new design;  
Fig. 1.2 is a front elevation view thereof;  
Fig. 1.3 is a rear elevation view thereof;  
Fig. 1.4 is a top plan view thereof;  
Fig. 1.5 is a bottom plan view thereof;  
Fig. 1.6 is a left side view thereof; and  
Fig. 1.7 is a right side view thereof.  
The portions of the holder for drawings shown, in broken lines form no part of the claimed design.

**1 Claim, 4 Drawing Sheets**



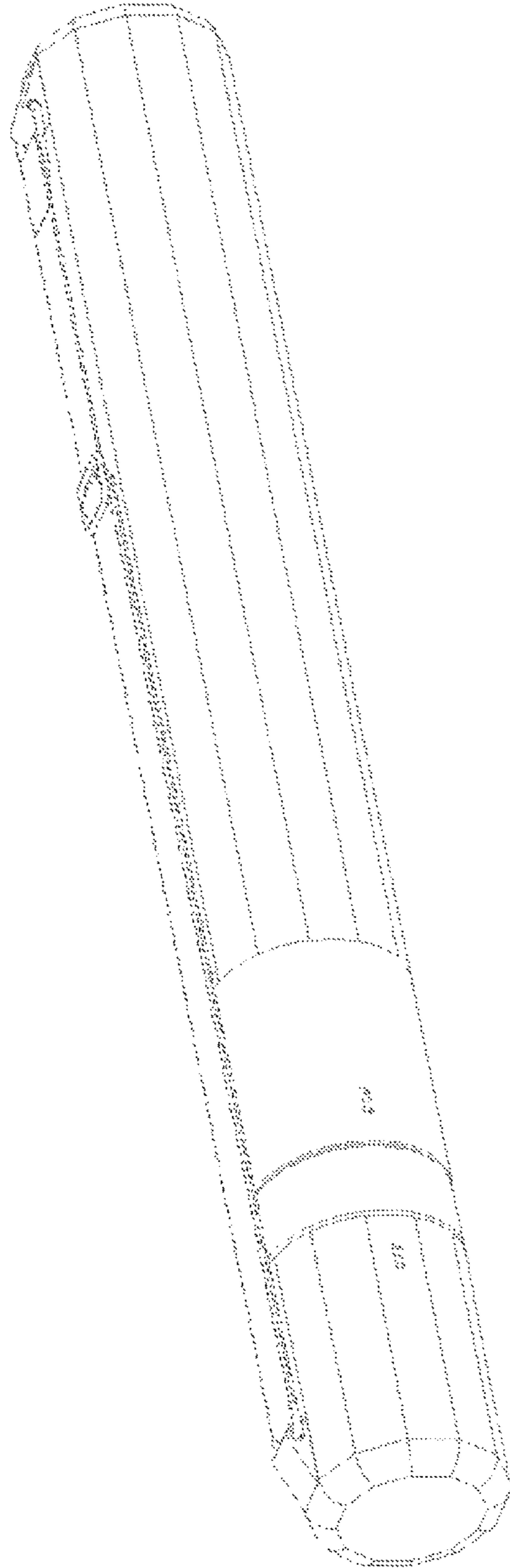
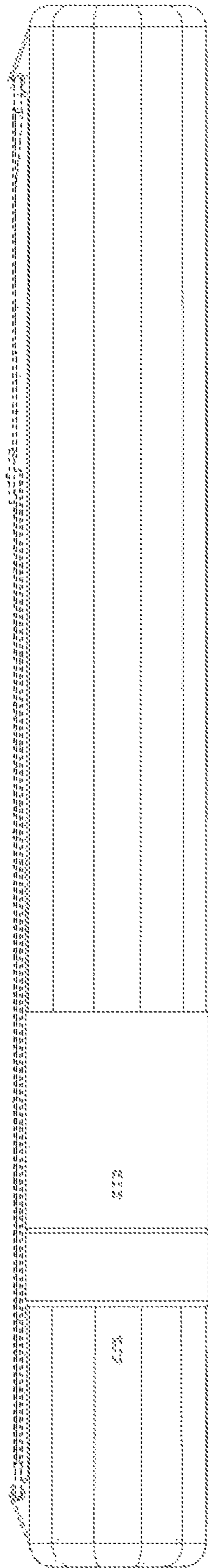
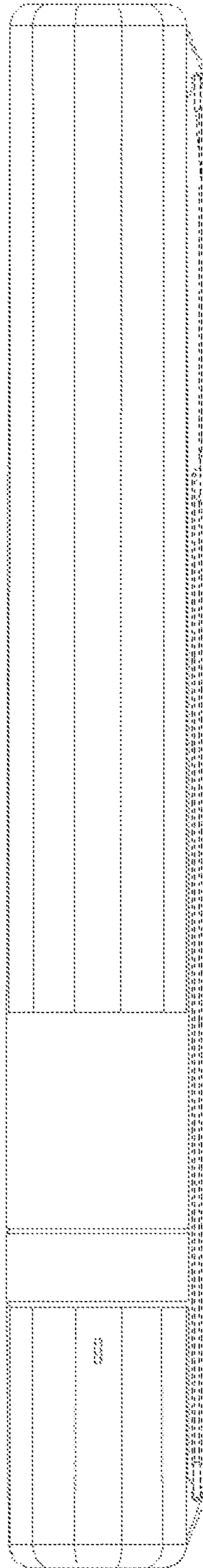


Fig. 1.1



**Fig. 1.2**



**Fig. 1.3**

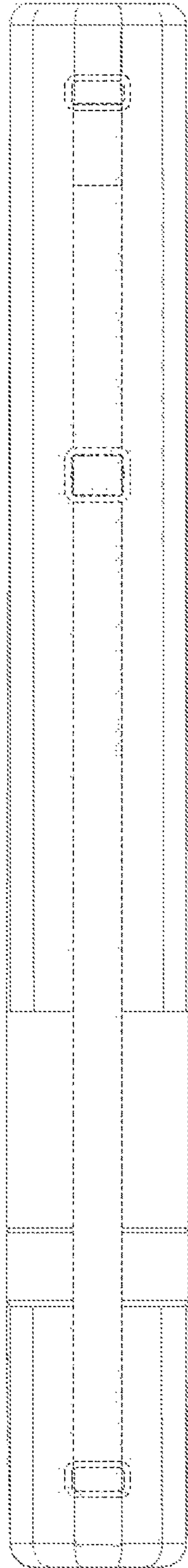


Fig. 1.4

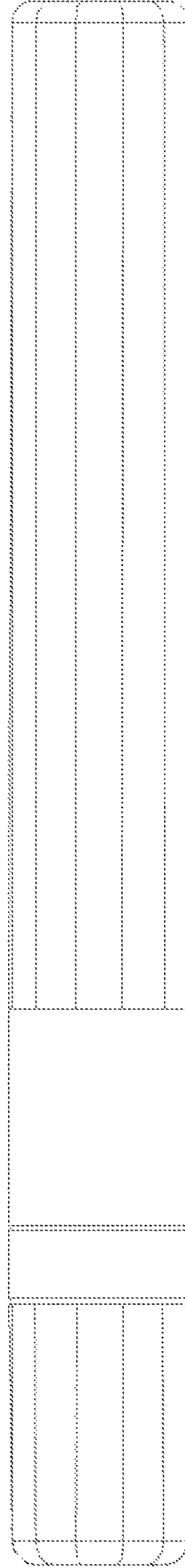


Fig. 1.5

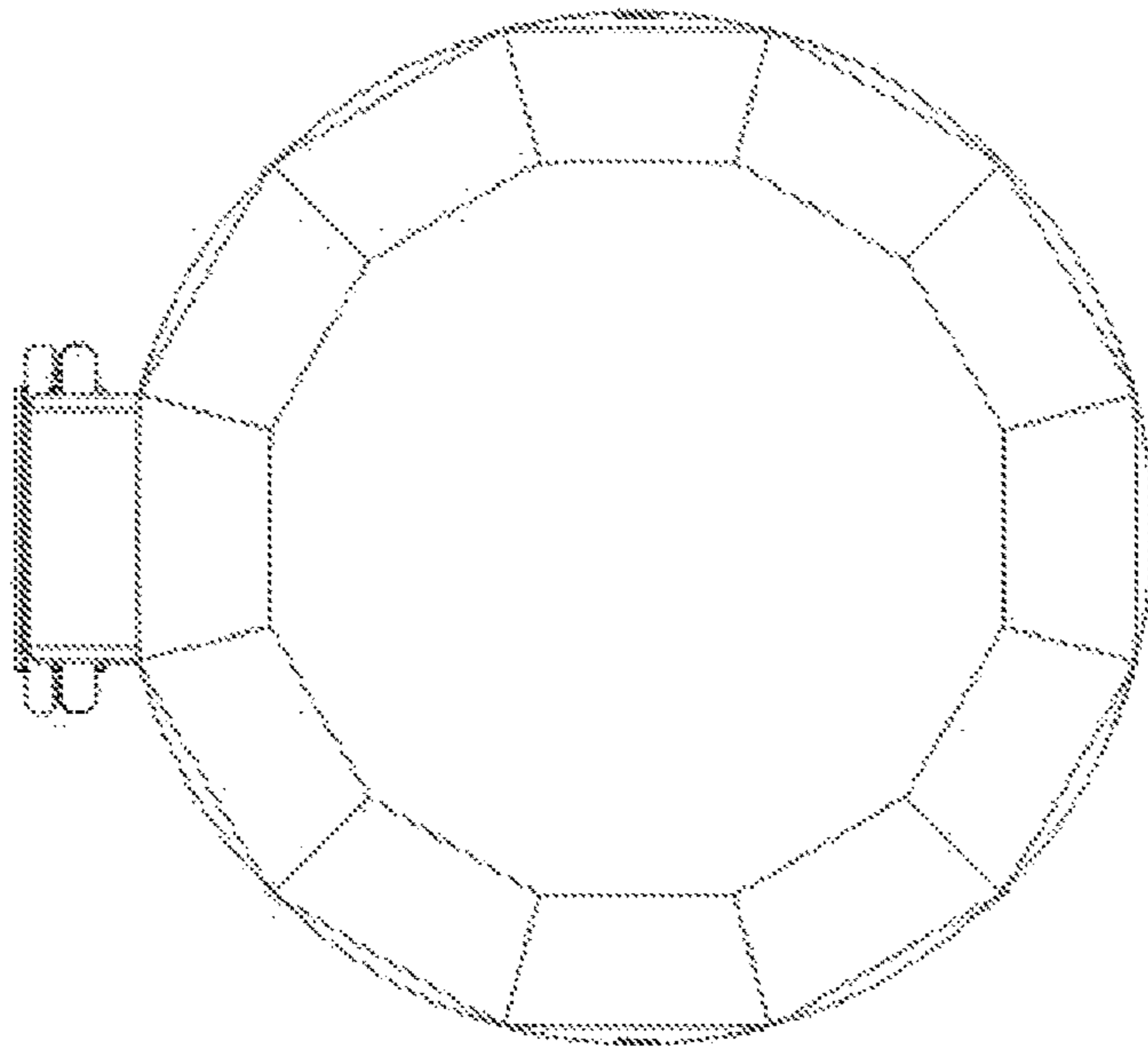


Fig. 1.7

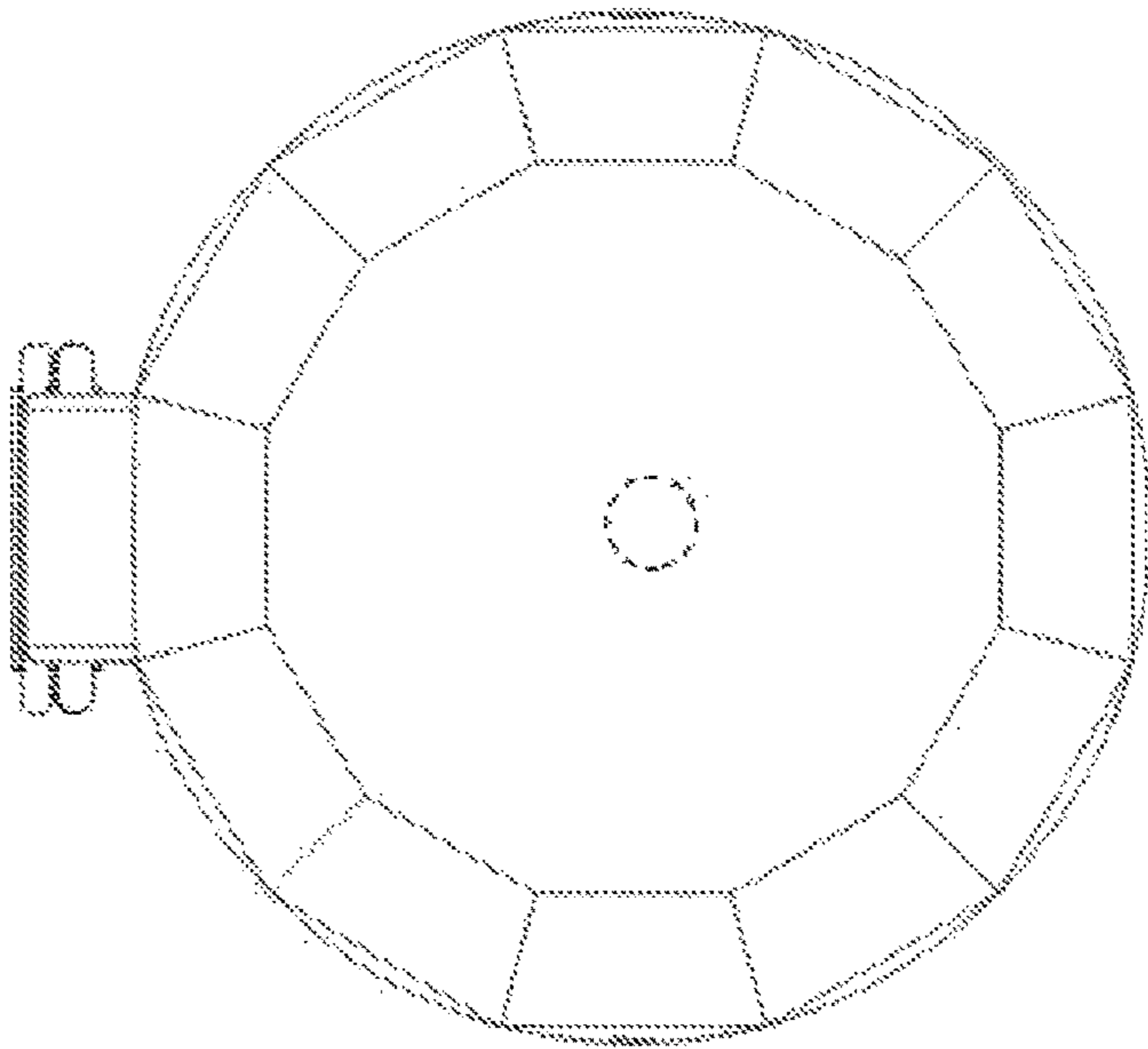


Fig. 1.6

UNITED STATES PATENT AND TRADEMARK OFFICE  
**CERTIFICATE OF CORRECTION**

PATENT NO. : D788,464 S  
APPLICATION NO. : 35/500456  
DATED : June 6, 2017  
INVENTOR(S) : Kuramoto Jin

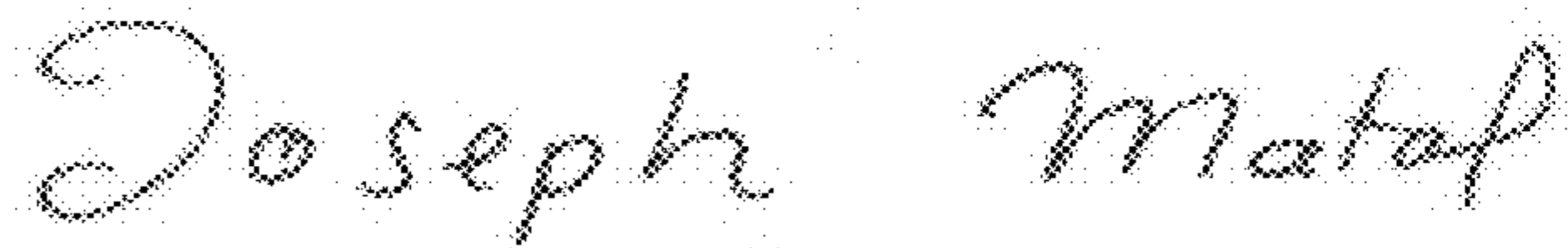
Page 1 of 1

It is certified that error appears in the above-identified patent and that said Letters Patent is hereby corrected as shown below:

On the Title Page

(30) Foreign Application Priority Data should read:  
Feb. 12, 2015 (EM) ..... 002632679-0001

Signed and Sealed this  
Ninth Day of January, 2018



Joseph Matal  
*Performing the Functions and Duties of the  
Under Secretary of Commerce for Intellectual Property and  
Director of the United States Patent and Trademark Office*