



US00D788463S

(12) **United States Design Patent** (10) **Patent No.:** **US D788,463 S**
Salesky (45) **Date of Patent:** **** Jun. 6, 2017**

(54) **SLEEVE FOR REMOTE CONTROL**

(71) Applicant: **Robert Salesky**, Green Bay, WI (US)

(72) Inventor: **Robert Salesky**, Green Bay, WI (US)

(**) Term: **14 Years**

(21) Appl. No.: **29/524,842**

(22) Filed: **Apr. 23, 2015**

(51) **LOC (10) Cl.** **03-01**

(52) **U.S. Cl.**

USPC **D3/300**

(58) **Field of Classification Search**

USPC D3/234, 255, 271.9, 320, 256, 262, 279,
D3/299, 301, 303, 318, 319, 273, 289,
D3/292, 294-296, 232, 244, 300;
D9/420, 424

CPC .. A45C 1/00; A45C 1/02; A45C 1/024; A45C
1/08; A45C 3/00; A45C 3/10; A45C
2003/001; A45C 2011/003; A45C 5/00;
A45C 7/00; A45C 7/0018; A45C 7/0054;
A45C 7/0059; A45C 7/0095; A45C
2200/00; A45C 13/00; A45C 13/001;
A45C 13/002; A45C 13/08; A45C 11/24;
A45F 3/00; A45F 3/02; A45F 3/04; A45F
3/06; A45F 2003/001; A45F 2003/002;
A45F 2003/006; A45F 2200/00; A45F
2200/0525

See application file for complete search history.

(56) **References Cited**

U.S. PATENT DOCUMENTS

2,791,665	A	5/1957	Baumbach	
D251,935	S *	5/1979	Ikezaki	D3/274
4,340,792	A	7/1982	Cava	
D398,150	S *	9/1998	Vonarburg	D28/85
D517,318	S *	3/2006	Ruybal	D3/273

D523,634	S *	6/2006	Dost	D3/273
D532,605	S *	11/2006	Klein	D3/294
D550,959	S *	9/2007	Miller	D3/294
D577,197	S *	9/2008	Guerriero	D3/294
D580,655	S *	11/2008	Kao	D3/295
D716,050	S *	10/2014	Ferguson	D3/303
D730,049	S *	5/2015	Miksovsky	D3/274
D733,427	S *	7/2015	Yanuszka	D3/274
D737,573	S *	9/2015	Yanuszka	D3/274
2009/0022432	A1 *	1/2009	Unda	H04B 1/3888 383/67

* cited by examiner

Primary Examiner — Sandra Snapp

Assistant Examiner — Holly E Thurman

(74) *Attorney, Agent, or Firm* — Dunlap Bennett & Ludwig PLLC

(57) **CLAIM**

The ornamental design for a sleeve for remote control, as shown and described.

DESCRIPTION

FIG. 1 is a perspective front view of a sleeve for remote control;

FIG. 2 is a front elevation view thereof;

FIG. 3 is a rear elevation view thereof;

FIG. 4 is a left side elevation view thereof;

FIG. 5 is a right side view being thereof;

FIG. 6 is a top plan view thereof; and,

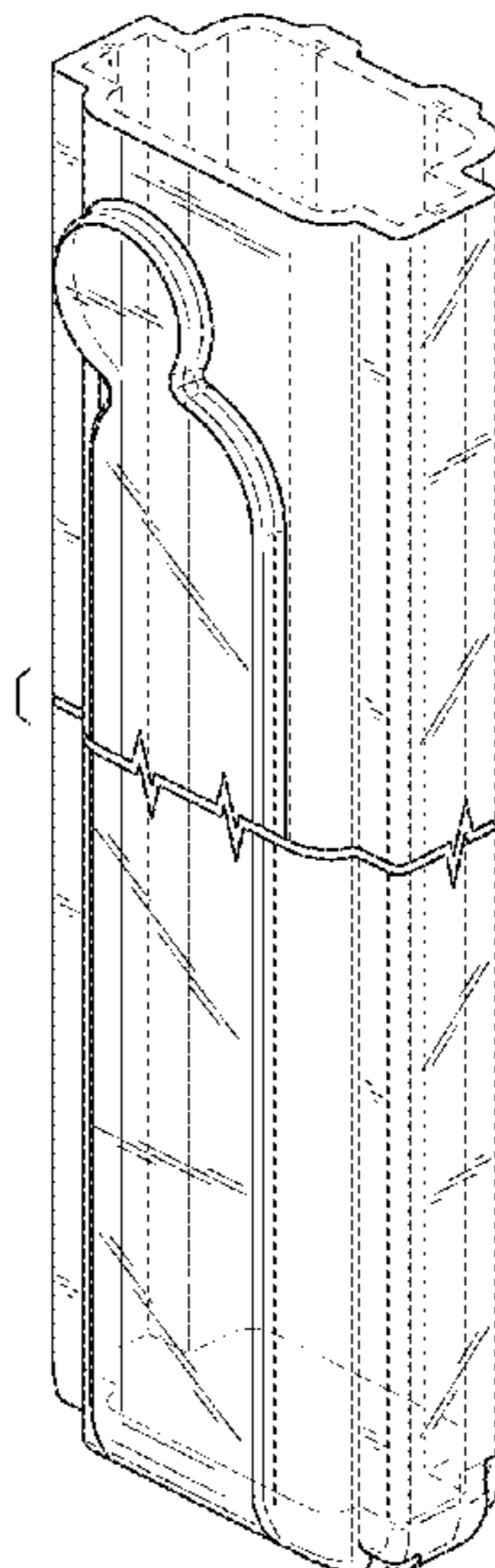
FIG. 7 is a bottom plan view thereof.

The broken lines shown in the drawings illustrate portions of the sleeve for remote control that form no part of the claimed design.

The break lines in the drawings indicate a symbolic break in the length of the design for the sleeve for remote control.

The appearance of any portion of the article between the break lines forms no part of the claimed design.

1 Claim, 4 Drawing Sheets



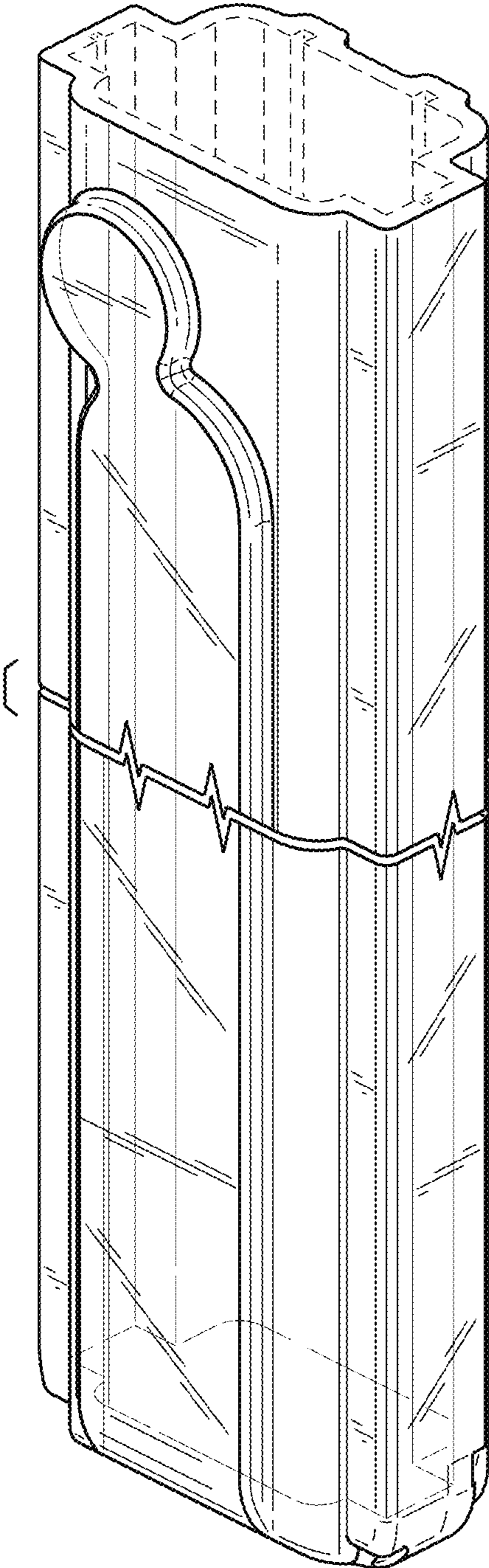


FIG. 1

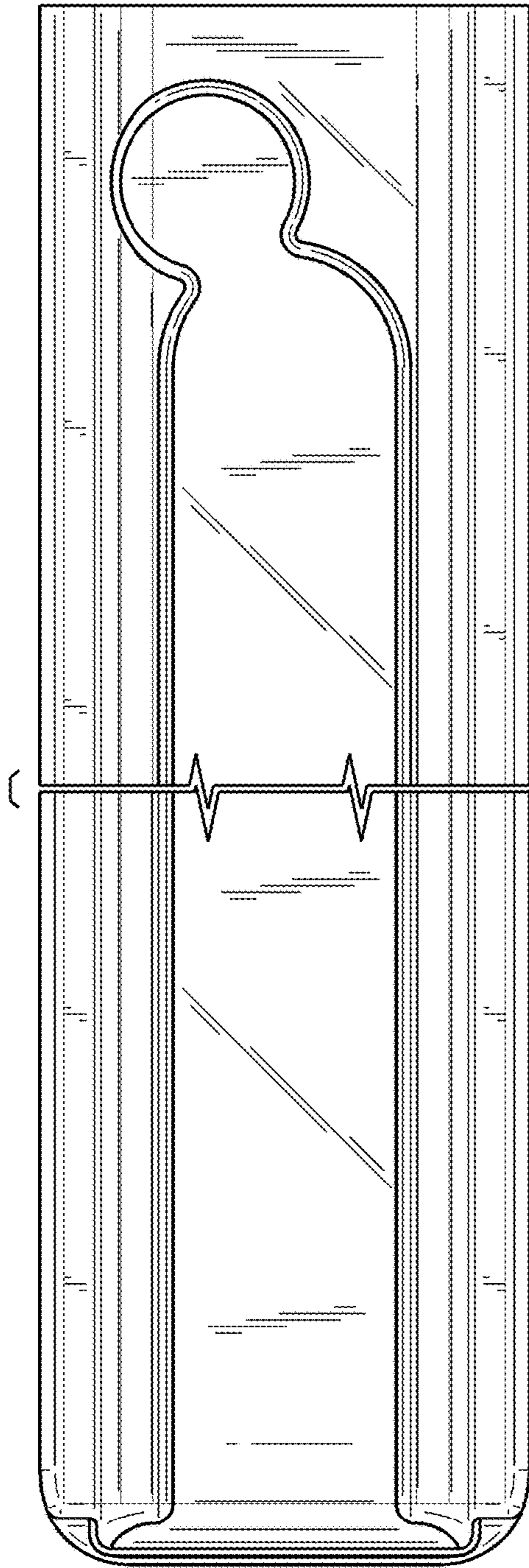


FIG. 2

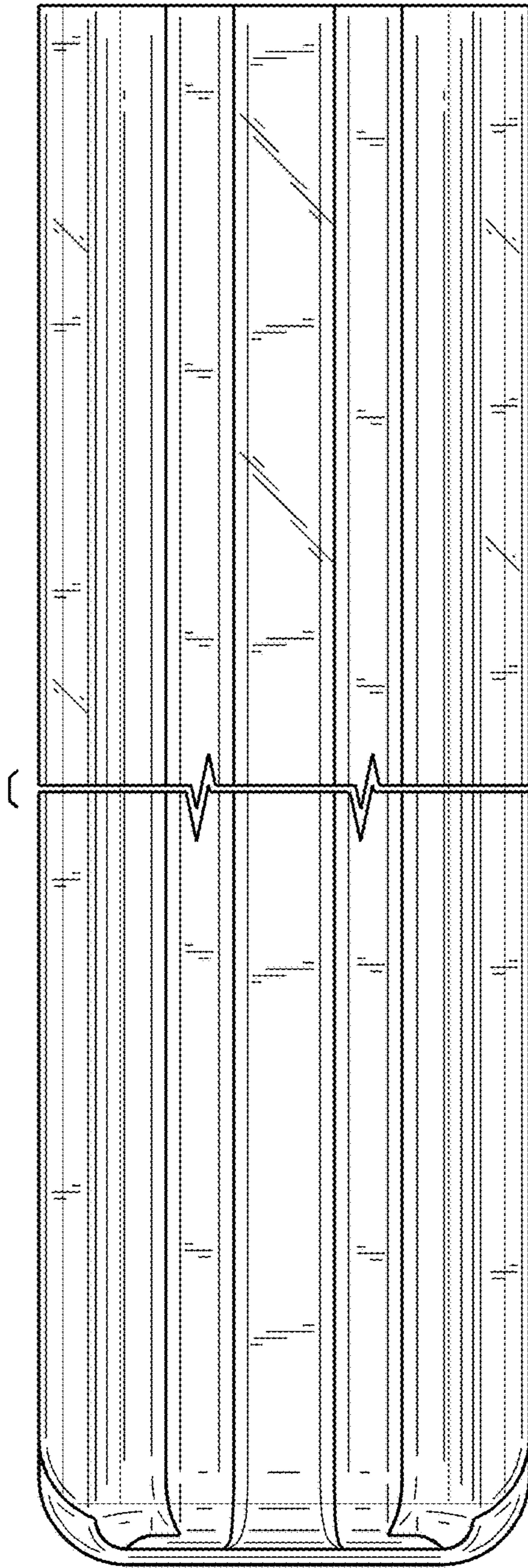


FIG. 3

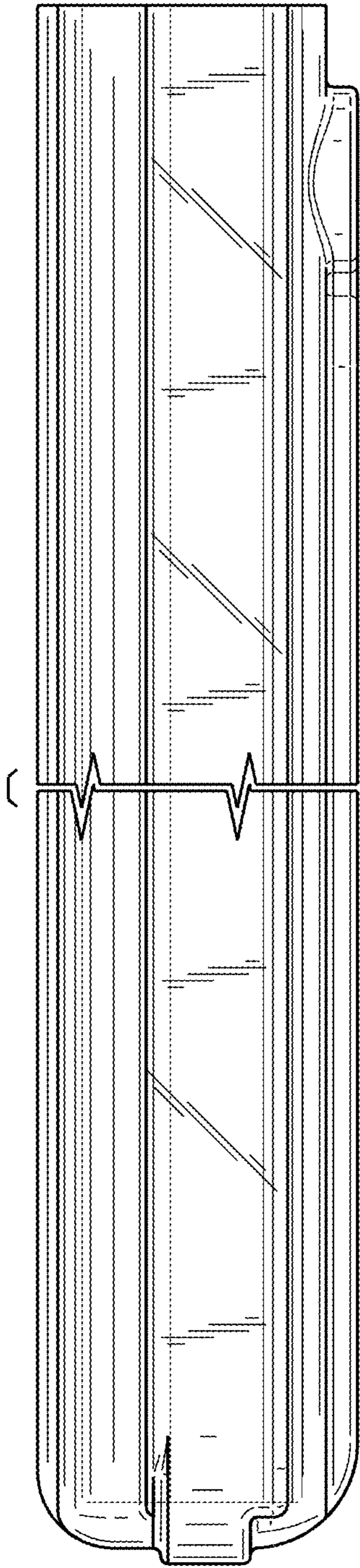


FIG. 4

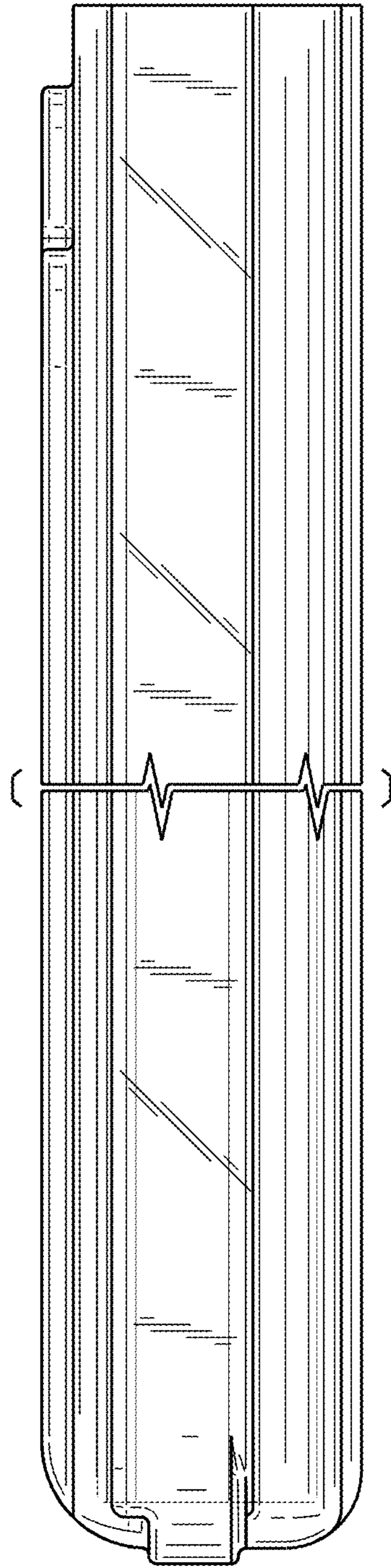


FIG. 5

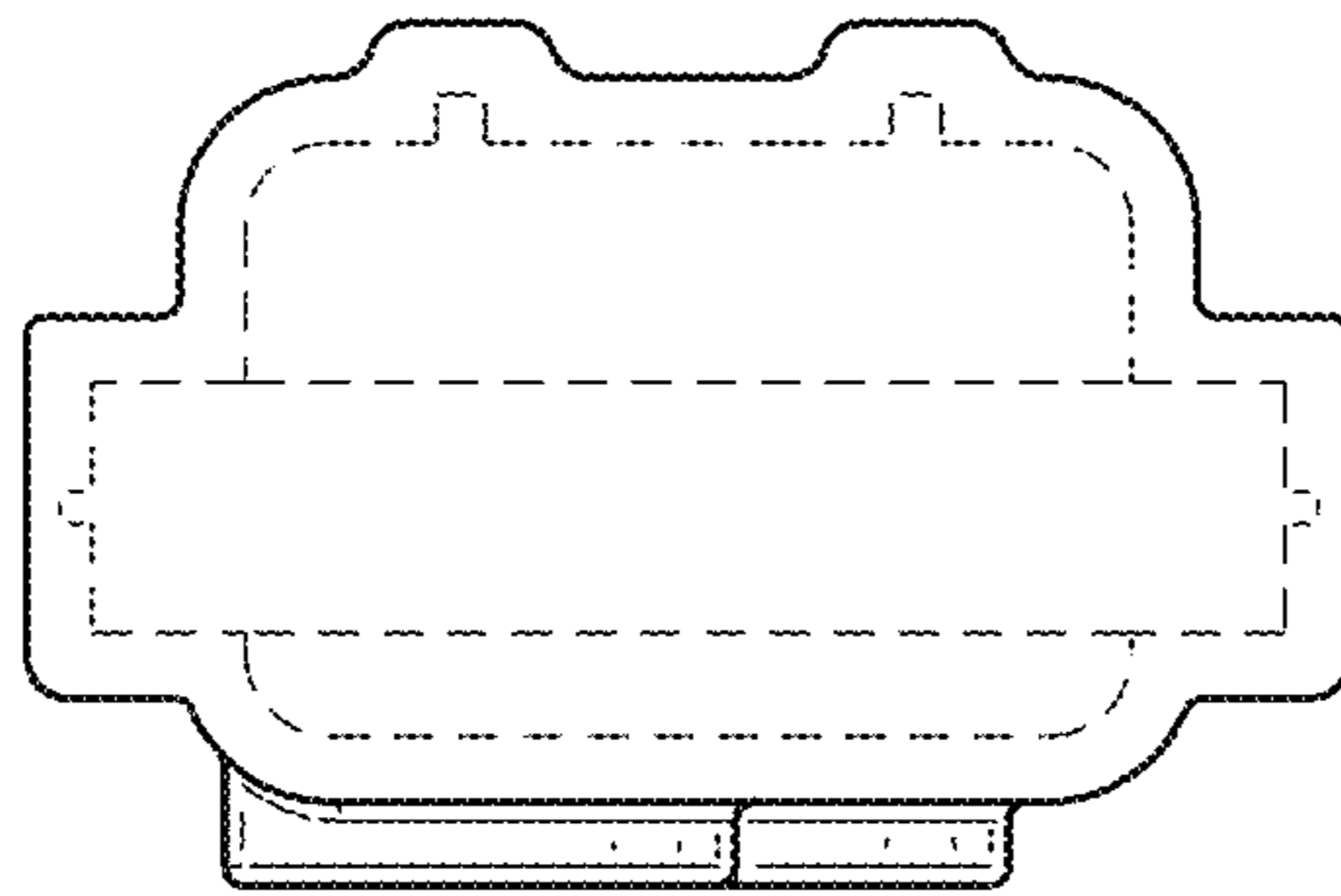


FIG. 6

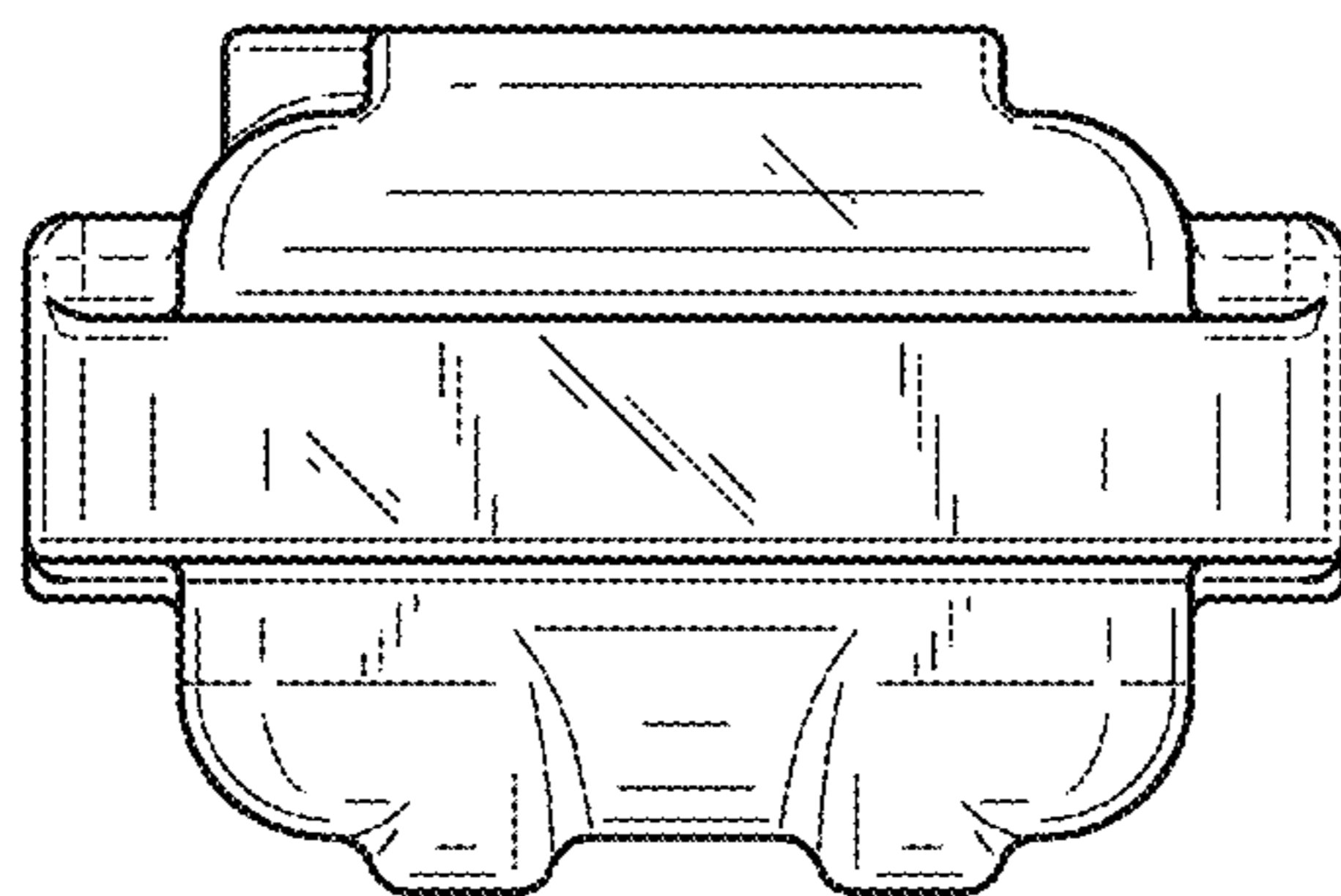


FIG. 7