



US00D788462S

(12) **United States Design Patent**
Zhu et al.

(10) **Patent No.:** **US D788,462 S**
(45) **Date of Patent:** **** Jun. 6, 2017**

(54) **JEWELRY BOX**

(71) Applicant: **Shenzhen Dikai Industrial Co., Ltd.**,
Shenzhen, Guangdong (CN)

(72) Inventors: **Xiu Ling Zhu**, Shenzhen (CN); **Gary Bruce Peckham**, Shenzhen (CN)

(73) Assignee: **Shenzhen DiKai Industrial Co., Ltd.**,
Shenzhen, Guangdong (CN)

(**) Term: **14 Years**

(21) Appl. No.: **29/517,326**

(22) Filed: **Feb. 11, 2015**

(51) **LOC (10) Cl.** **03-01**

(52) **U.S. Cl.**
USPC **D3/294**

(58) **Field of Classification Search**
USPC D3/273, 274, 275, 276, 281, 284, 292,
D3/294, 295, 296, 297, 299, 905, 901,
D3/903, 205, 203.1, 279, 282, 242, 301,
D3/302; D9/418, 420-423; D28/76-78,
D28/82-83; D99/28, 34
CPC A45C 5/04; A45C 11/16; A45C 11/00;
A45C 5/00

See application file for complete search history.

(56) **References Cited**

U.S. PATENT DOCUMENTS

D16,927 S *	10/1886	Sommer	D9/423
D159,964 S *	9/1950	Du Bois et al.	D3/294
D280,353 S *	8/1985	Buchet	D28/78
D281,208 S *	11/1985	Raftery	D6/691
D332,400 S *	1/1993	Neff	D9/423
D336,989 S *	7/1993	Rentz	D3/294
D376,476 S *	12/1996	Tepen	D3/294

D392,563 S *	3/1998	Iwanaga	D9/422
D401,763 S *	12/1998	Wolff	D3/273
D474,596 S *	5/2003	Osiecki	D3/273
D510,021 S *	9/2005	Au	D3/294
D570,114 S *	6/2008	Netz	D3/294
D595,455 S *	6/2009	Nagasaki	D28/83
D624,315 S *	9/2010	Amatrudo	D3/276
D655,865 S *	3/2012	Villarreal	D28/83
D655,866 S *	3/2012	Villarreal	D28/83
D668,457 S *	10/2012	Mimlitch, III	D3/294
D668,866 S *	10/2012	Meng	D3/273
D704,442 S *	5/2014	Chen	D3/294
D716,649 S *	11/2014	McAdam	D9/418
D723,218 S *	2/2015	Goswell	D28/83
D759,378 S *	6/2016	West	D3/294

* cited by examiner

Primary Examiner — Sandra Snapp

Assistant Examiner — Holly E Thurman

(74) *Attorney, Agent, or Firm* — Raymond Y. Chan;
David and Raymond Patent Firm

(57) **CLAIM**

The ornamental design for a jewelry box, as shown and described.

DESCRIPTION

FIG. 1 is a perspective view of the jewelry box showing our new design.

FIG. 2 is a front view thereof.

FIG. 3 is a rear view thereof.

FIG. 4 is a right end view thereof.

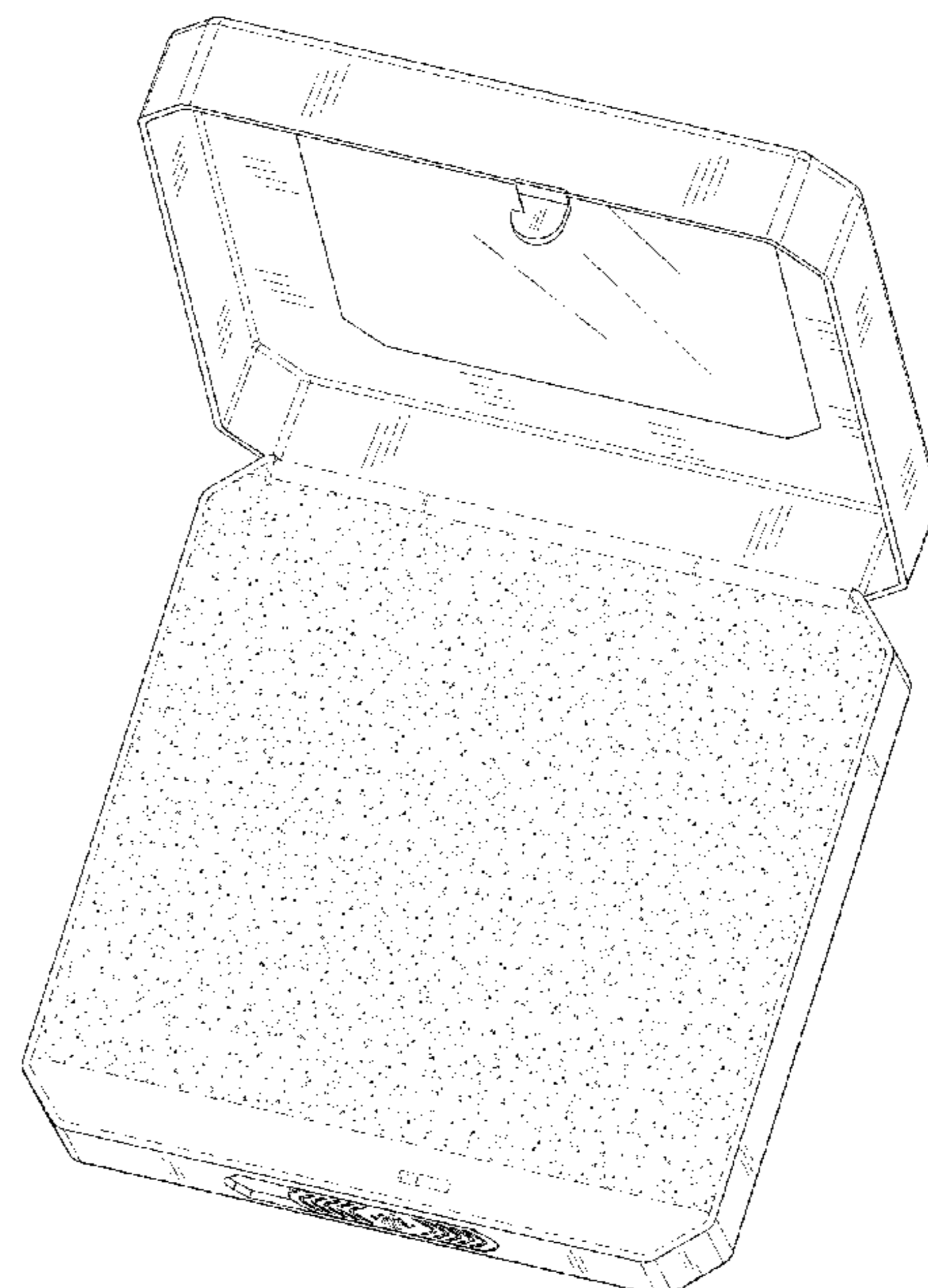
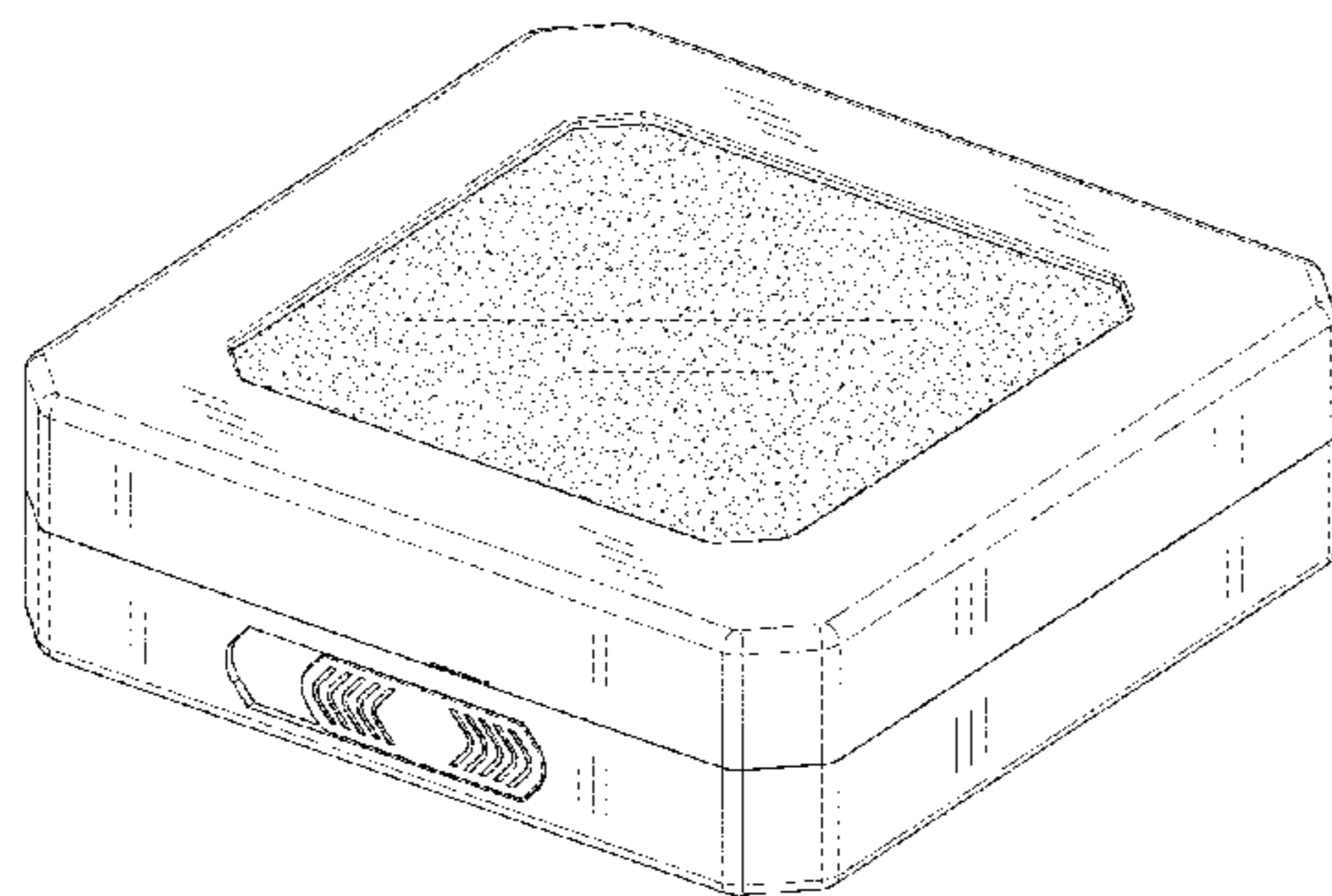
FIG. 5 is a left end view thereof.

FIG. 6 is a top view thereof.

FIG. 7 is a bottom view thereof; and,

FIG. 8 is a perspective view of the jewelry box in an opened condition, wherein the broken lines in the drawing show the portion that forms no part of the design to be claimed.

1 Claim, 8 Drawing Sheets



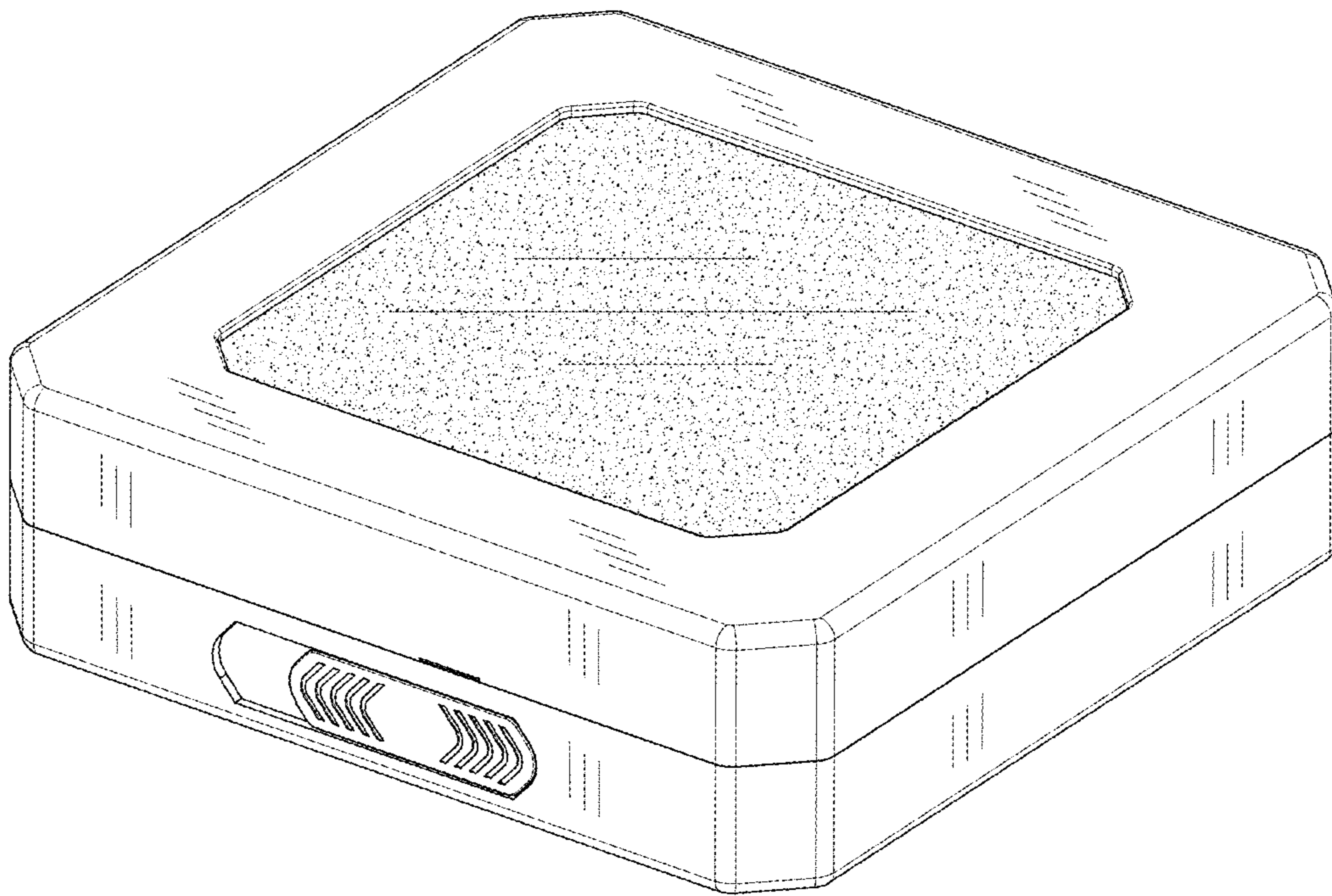


FIG.1

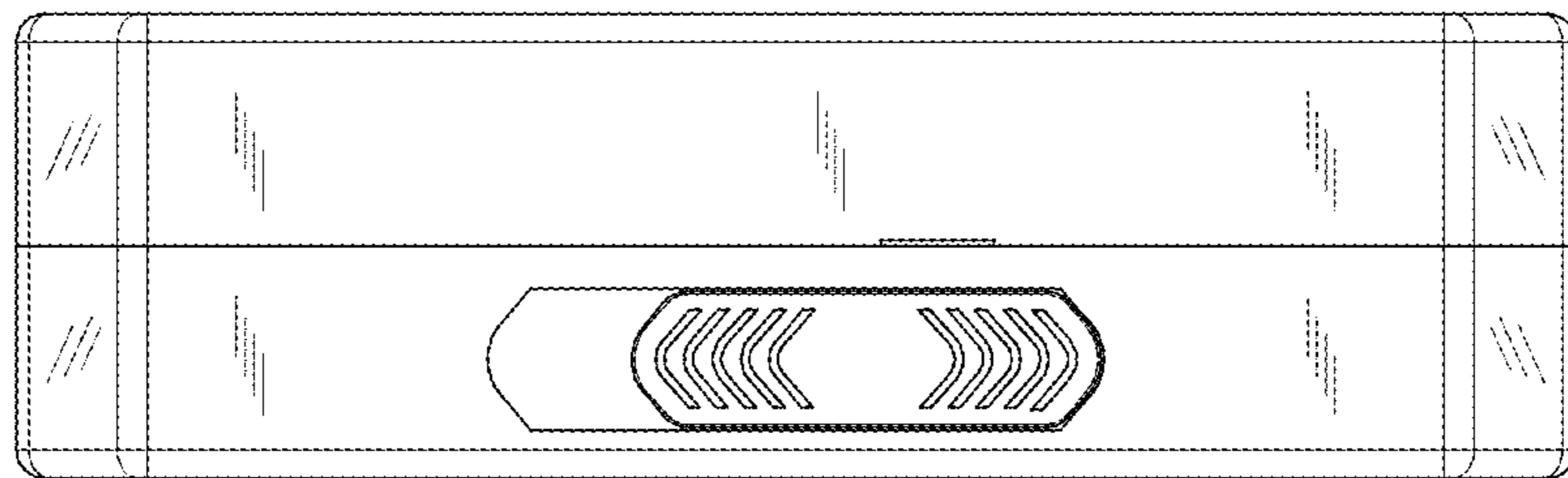


FIG. 2

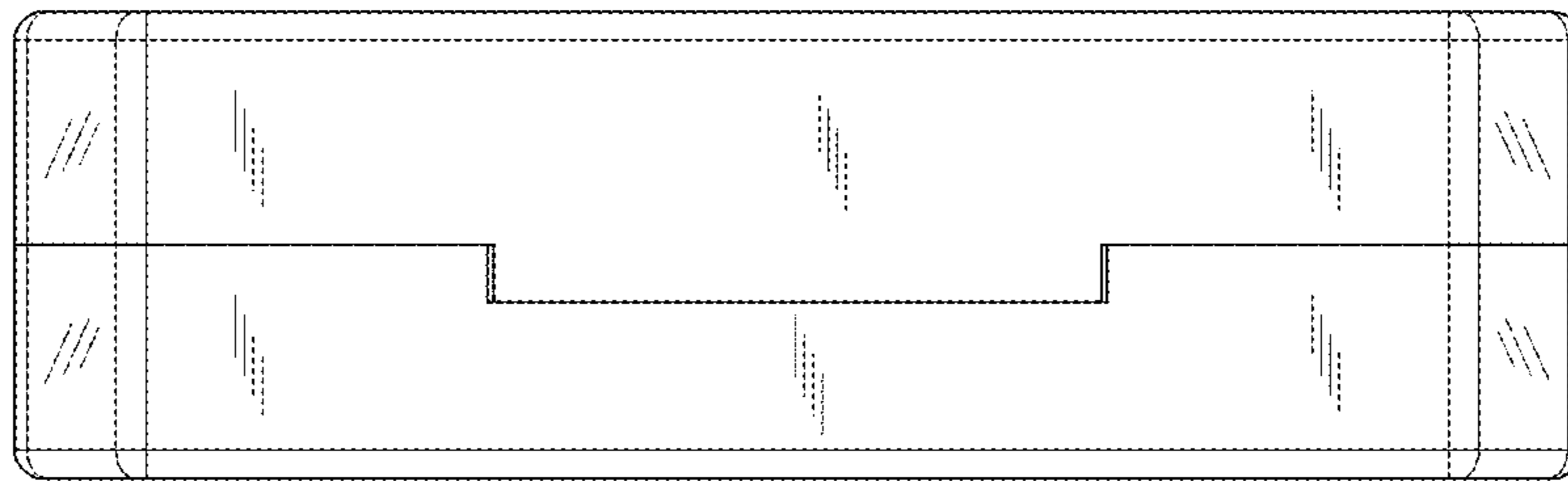


FIG.3



FIG.4

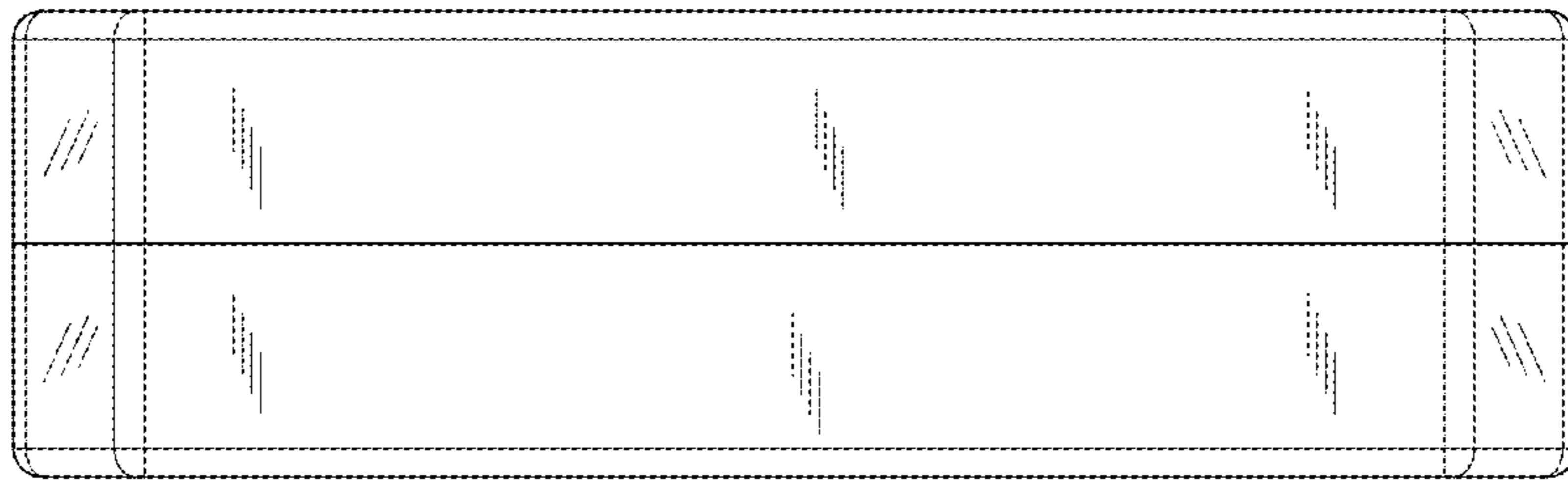


FIG.5

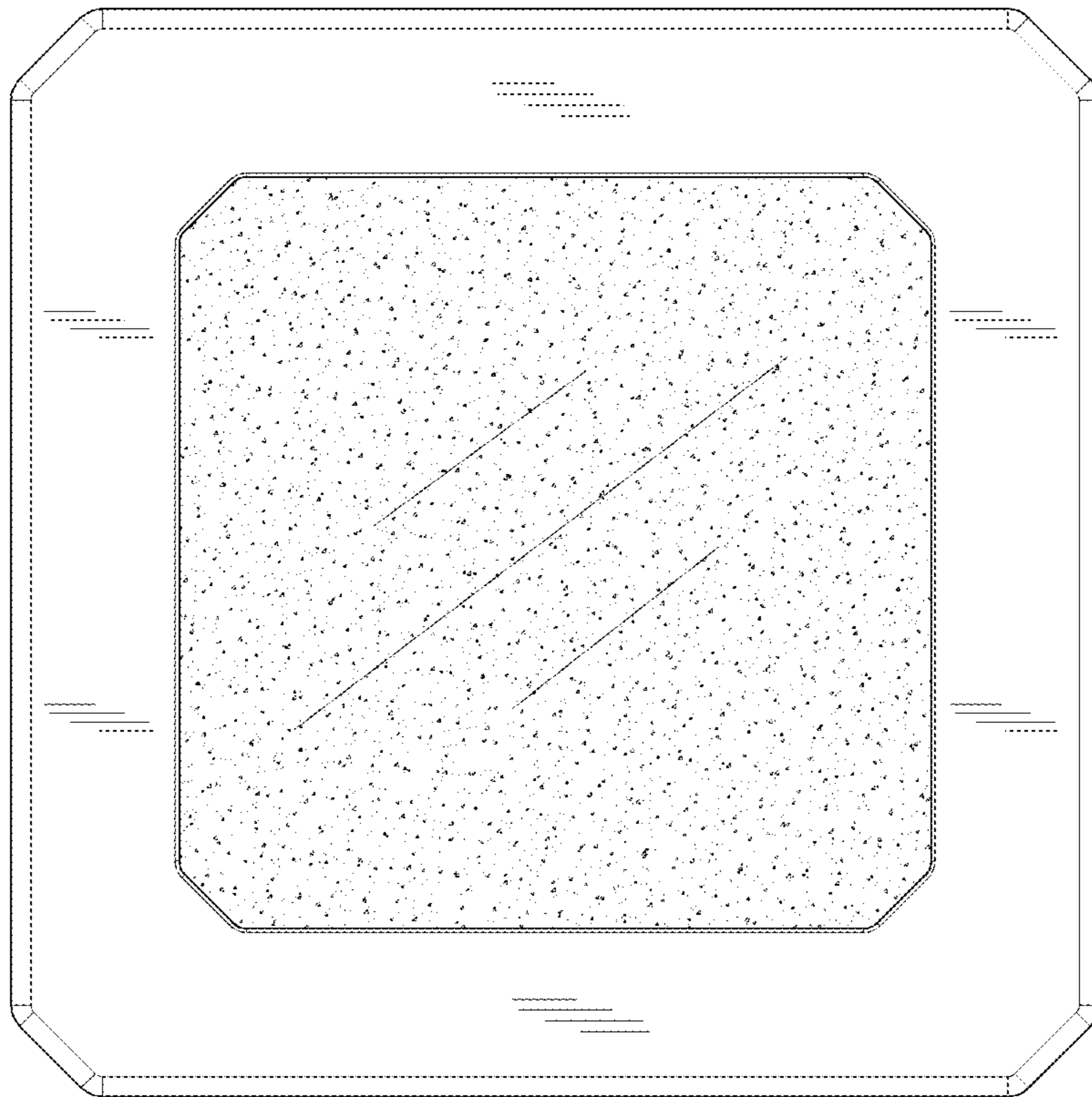


FIG. 6

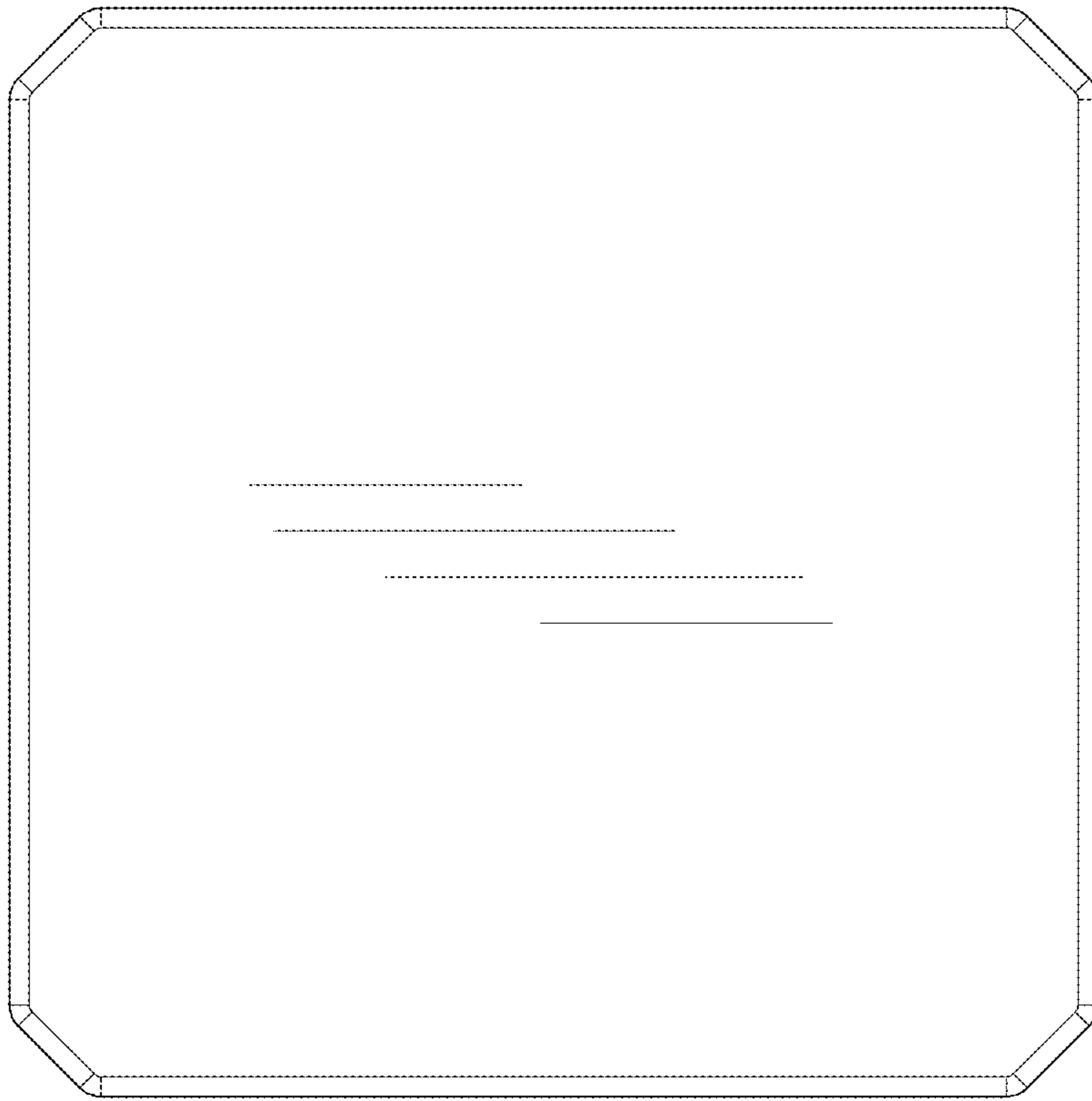


FIG.7

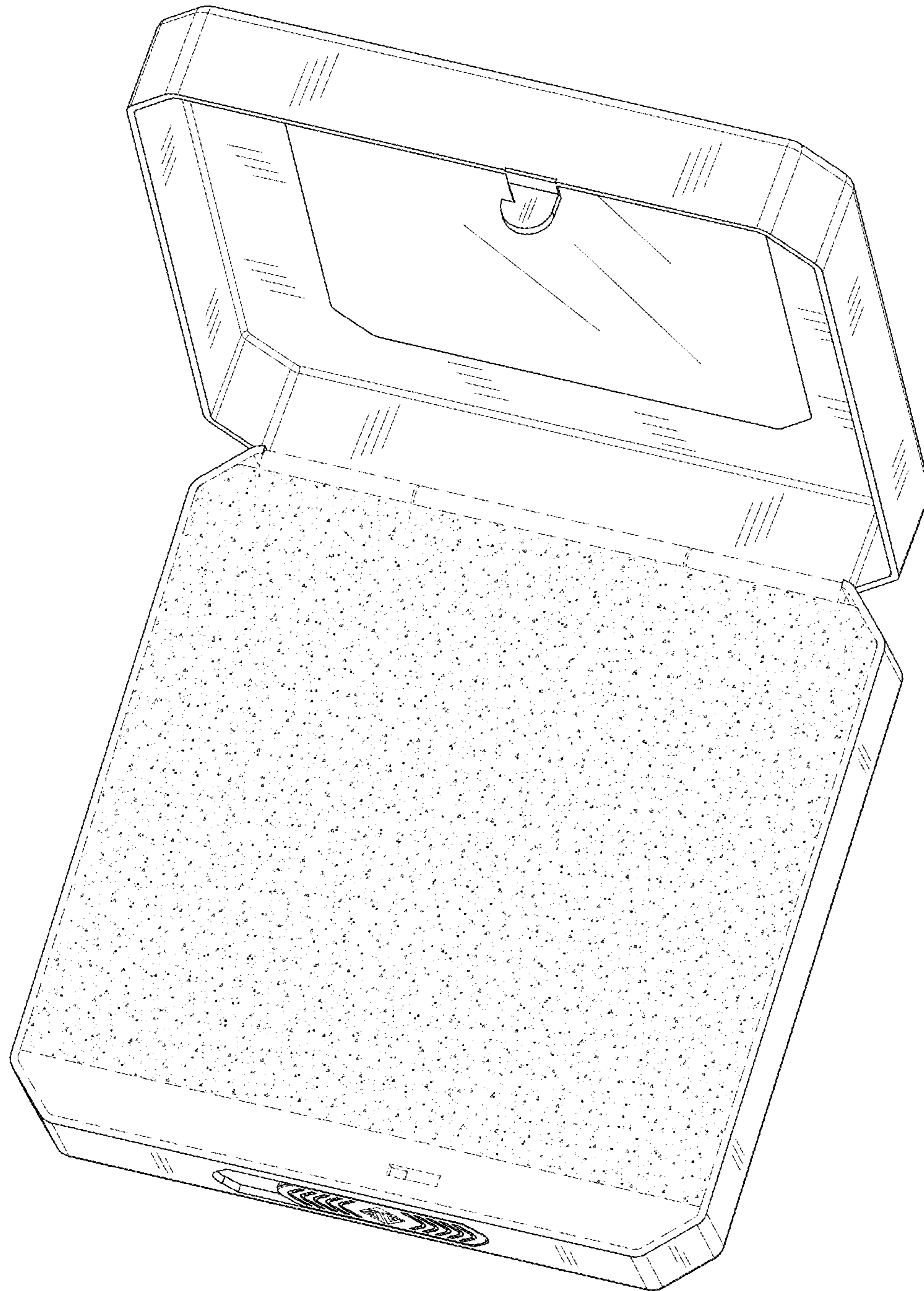


FIG.8