



US00D788457S

(12) **United States Design Patent** (10) **Patent No.:** **US D788,457 S**
Koutsolioutsos (45) **Date of Patent:** **** Jun. 6, 2017**

(54) **HANDBAG**

(56) **References Cited**

(71) Applicant: **Folli-Follie Commercial Manufacturing and Technical Societe Anonyme, Athens (GR)**

U.S. PATENT DOCUMENTS

D141,004 S *	4/1945	Deutz	D3/246
D580,650 S *	11/2008	Bevans	D3/234
D596,846 S *	7/2009	Nelson	D3/232
D633,713 S *	3/2011	Bode	D3/232

(72) Inventor: **Dimitrios Koutsolioutsos, Attica (GR)**

* cited by examiner

(73) Assignee: **FOLLI-FOLLIE COMMERCIAL MANUFACTURING AND TECHNICAL SOCIETE ANONYME, Athens (GR)**

Primary Examiner — Holly Baynham
(74) *Attorney, Agent, or Firm* — Fredrikson & Byron, P.A.

(**) Term: **15 Years**

(57) **CLAIM**

(21) Appl. No.: **29/532,407**

I claim the ornamental design for a handbag, as shown and described.

(22) Filed: **Jul. 7, 2015**

(30) **Foreign Application Priority Data**

DESCRIPTION

Jan. 7, 2015 (EM) 002609404-0002

(51) **LOC (10) Cl.** **03-01**

(52) **U.S. Cl.**
USPC **D3/245**

(58) **Field of Classification Search**
USPC D3/232-233, 240-243, 245-246
CPC A45C 1/024; A45C 3/06
See application file for complete search history.

FIG. 1 is a front view of my new design for a handbag;
FIG. 2 is a rear view thereof;
FIG. 3 is a top view thereof;
FIG. 4 is a bottom view thereof;
FIG. 5 is a first side view thereof; and,
FIG. 6 is an opposite side view thereof.

1 Claim, 6 Drawing Sheets

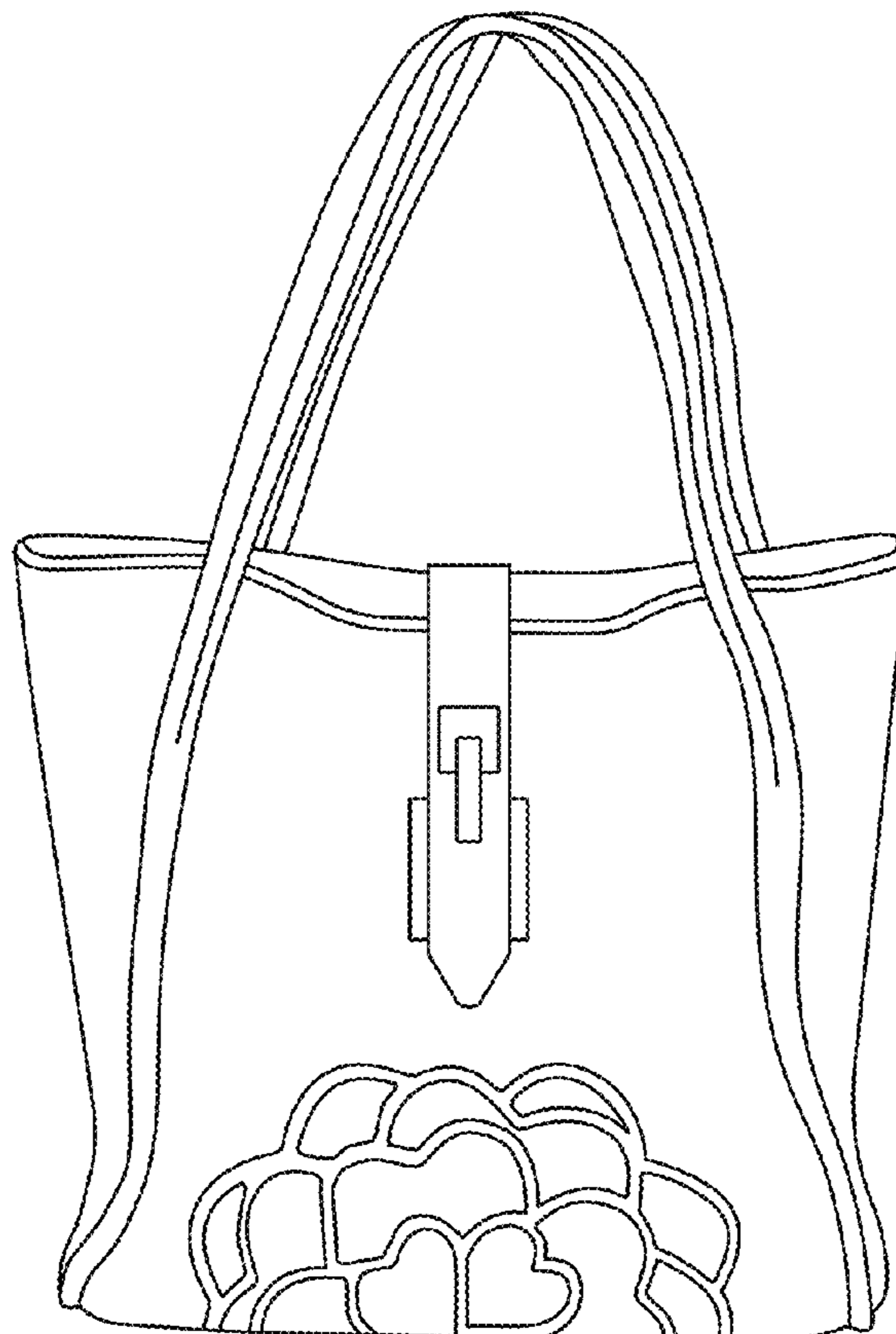


Fig. 1

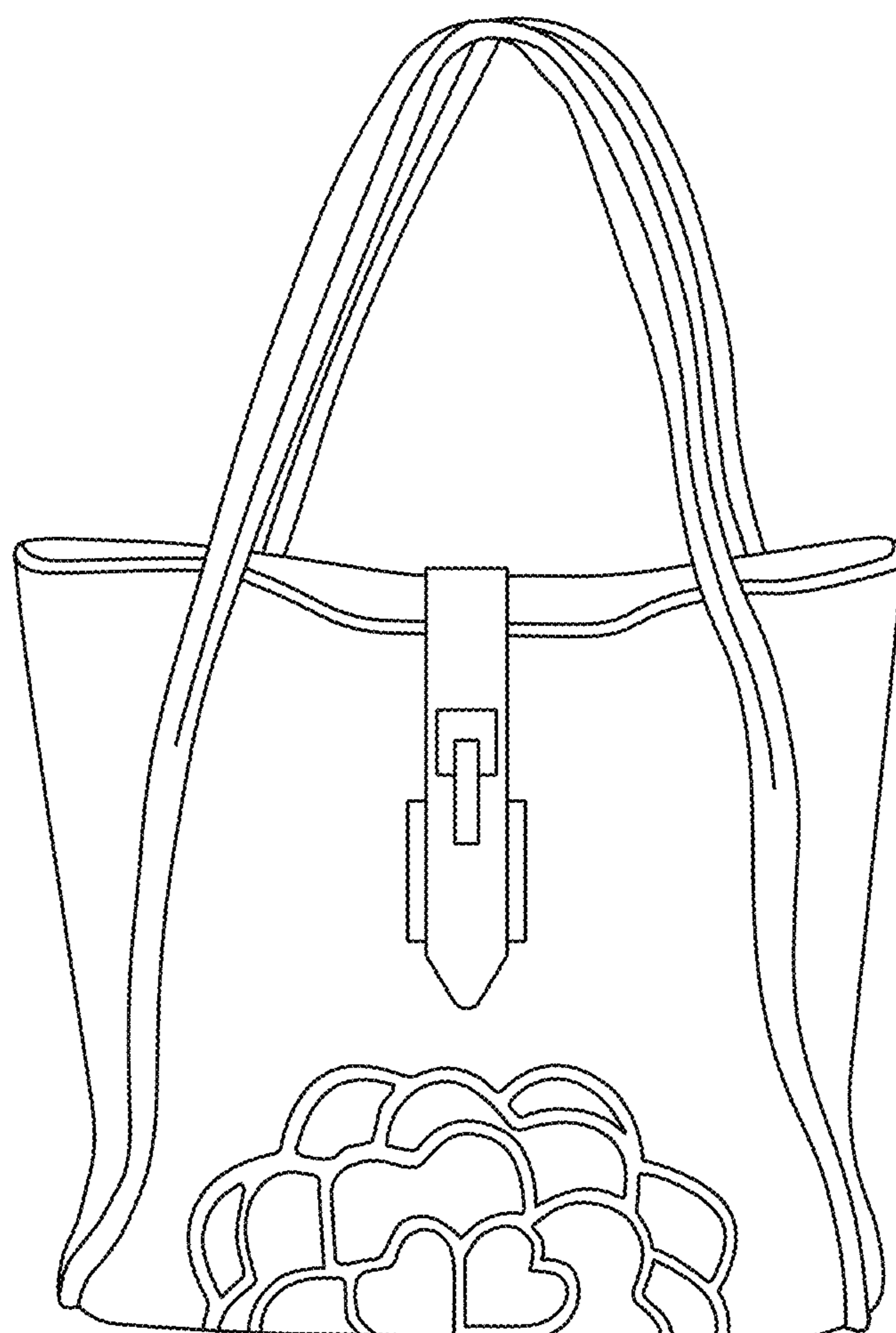


Fig. 2

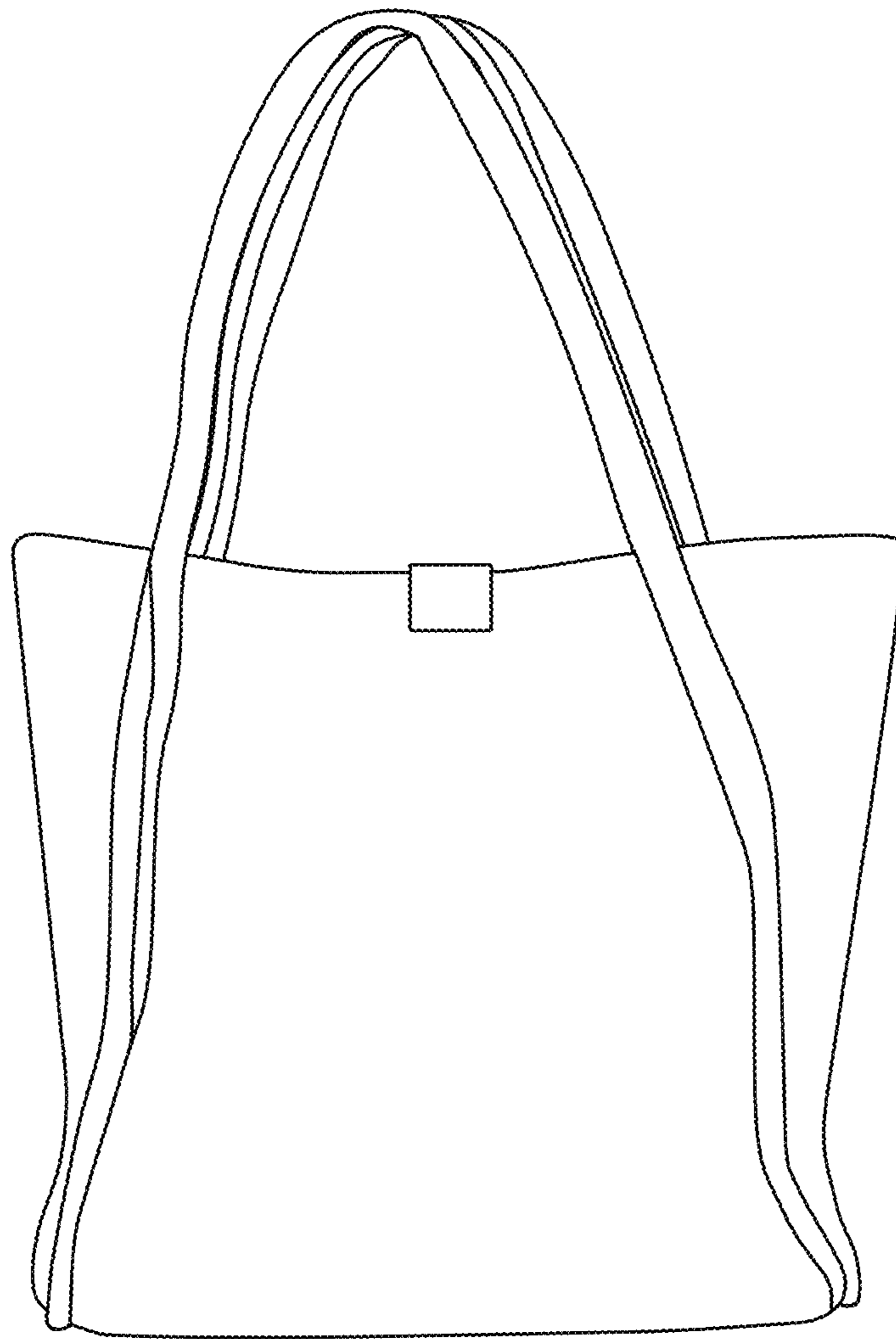


Fig. 3

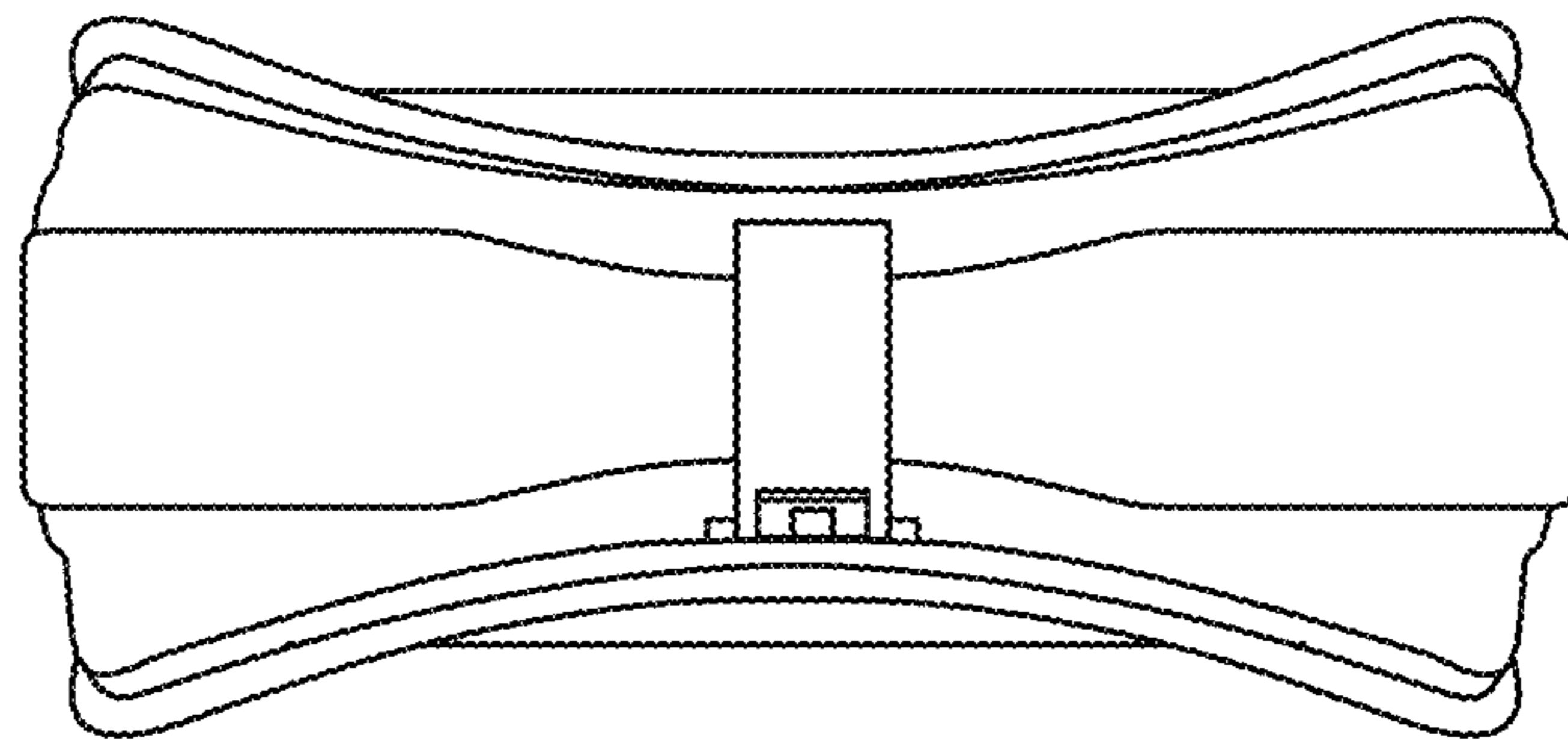


Fig. 4

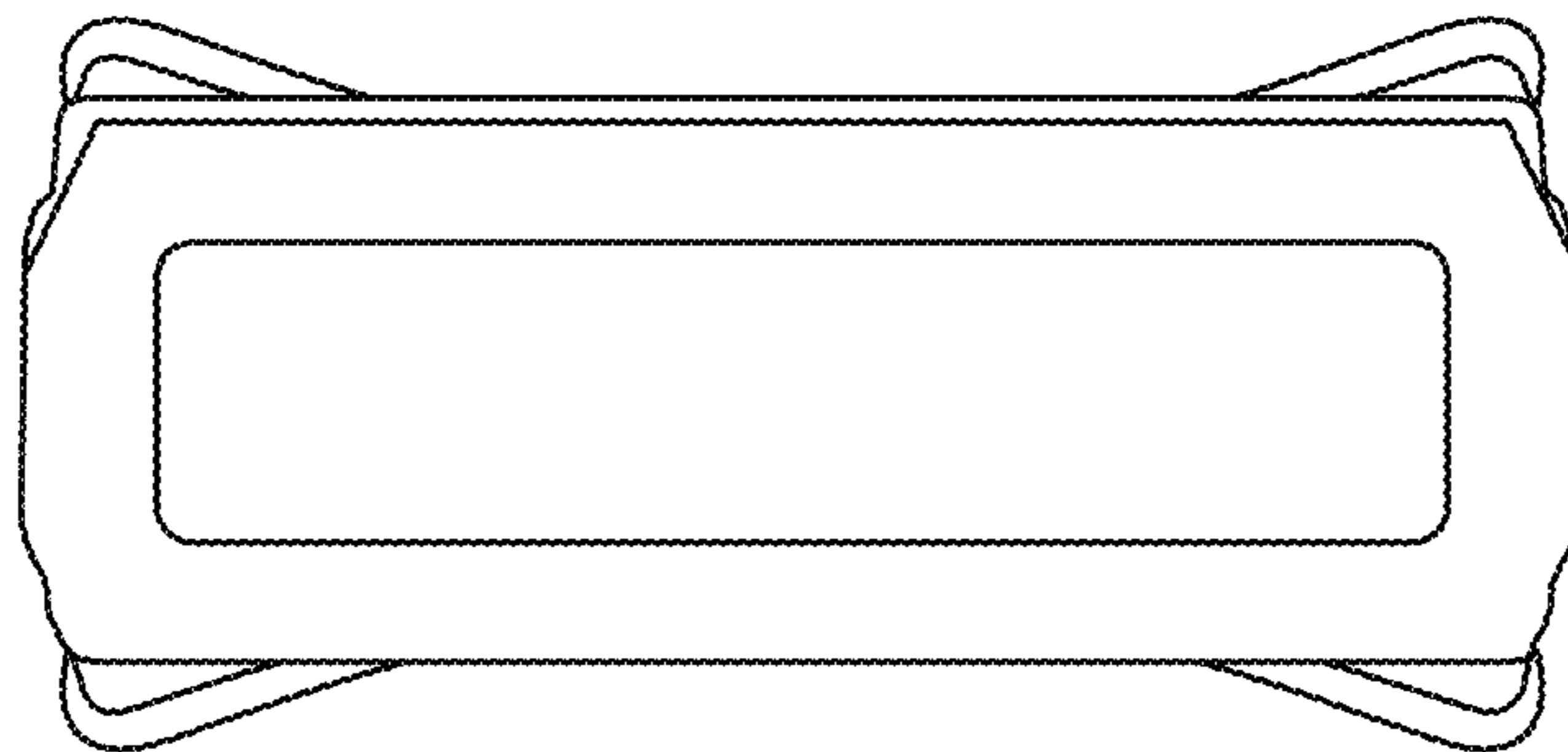


Fig. 5

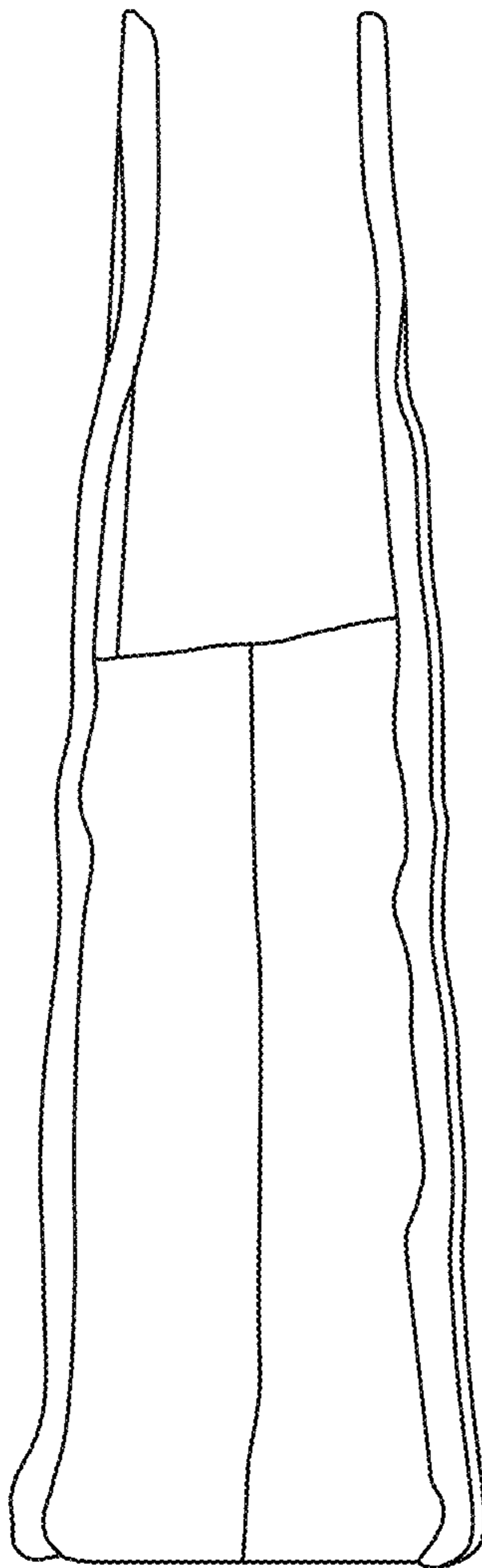


Fig. 6

