



US00D788447S

(12) **United States Design Patent**
Barber

(10) **Patent No.:** **US D788,447 S**

(45) **Date of Patent:** **** Jun. 6, 2017**

(54) **KEY RING COMBINATION TOOL**

(71) Applicant: **Jeremiah Barber**, St. George, UT (US)

(72) Inventor: **Jeremiah Barber**, St. George, UT (US)

(**) Term: **15 Years**

(21) Appl. No.: **29/553,829**

(22) Filed: **Feb. 4, 2016**

(51) **LOC (10) Cl.** **03-01**

(52) **U.S. Cl.**

USPC **D3/210**

(58) **Field of Classification Search**

USPC D11/1-2, 14, 26-29, 89-92, 44, 48, 81,
D11/99, 79; 63/26-28, 32; D3/207-212;
D8/16, 38, 347, 348, 33, 34, 105;
70/456 B, 457, 458, 456 R; 206/37.1, 37;
D14/434, 435, 435.1, 436, 439, 480.3,
D14/480.1, 480.5, 480.7; D24/174, 173,
D24/480.3; D17/14

CPC A45C 11/32; A47G 29/10
See application file for complete search history.

(56) **References Cited**

U.S. PATENT DOCUMENTS

D116,179 S * 8/1939 Yates D8/17
D118,329 S * 12/1939 Crowley D3/210
4,416,171 A * 11/1983 Chmela B67B 7/403
81/3.55
D290,056 S * 5/1987 Hatfield D3/210

D293,266 S * 12/1987 Stanich D3/210
D311,980 S * 11/1990 Baker D3/210
D312,341 S * 11/1990 Demirjian D3/210
D389,624 S * 1/1998 Drimmie D3/210
5,713,232 A * 2/1998 Hodge A44B 15/005
15/236.01
D417,760 S * 12/1999 Quackenbush D3/210
D709,344 S * 7/2014 Adelman B25B 15/00
D3/208
D721,557 S * 1/2015 Ward D8/34
D772,679 S * 11/2016 Hawker D3/210

* cited by examiner

Primary Examiner — Ralf Seifert

(74) *Attorney, Agent, or Firm* — Booth Udall Fuller, PLC

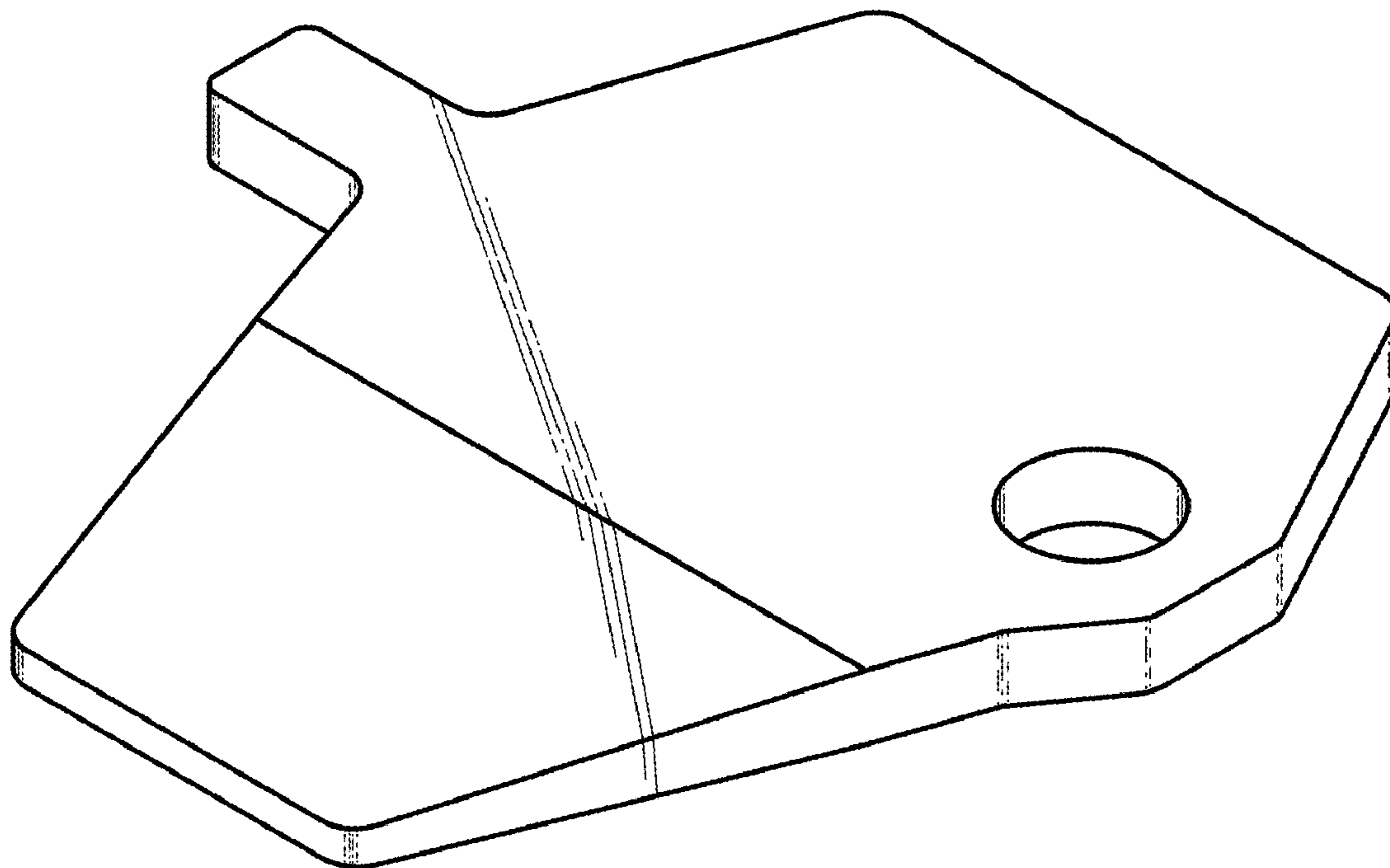
(57) **CLAIM**

The ornamental design for the key ring combination tool, as shown and described.

DESCRIPTION

FIG. 1 is top perspective view of a design of the key ring combination tool;
FIG. 2 is a rear view thereof;
FIG. 3 is a left side view thereof;
FIG. 4 is a top view thereof, the opposite, bottom being identical to the top;
FIG. 5 is a right side view thereof; and,
FIG. 6 is front view thereof.

1 Claim, 2 Drawing Sheets



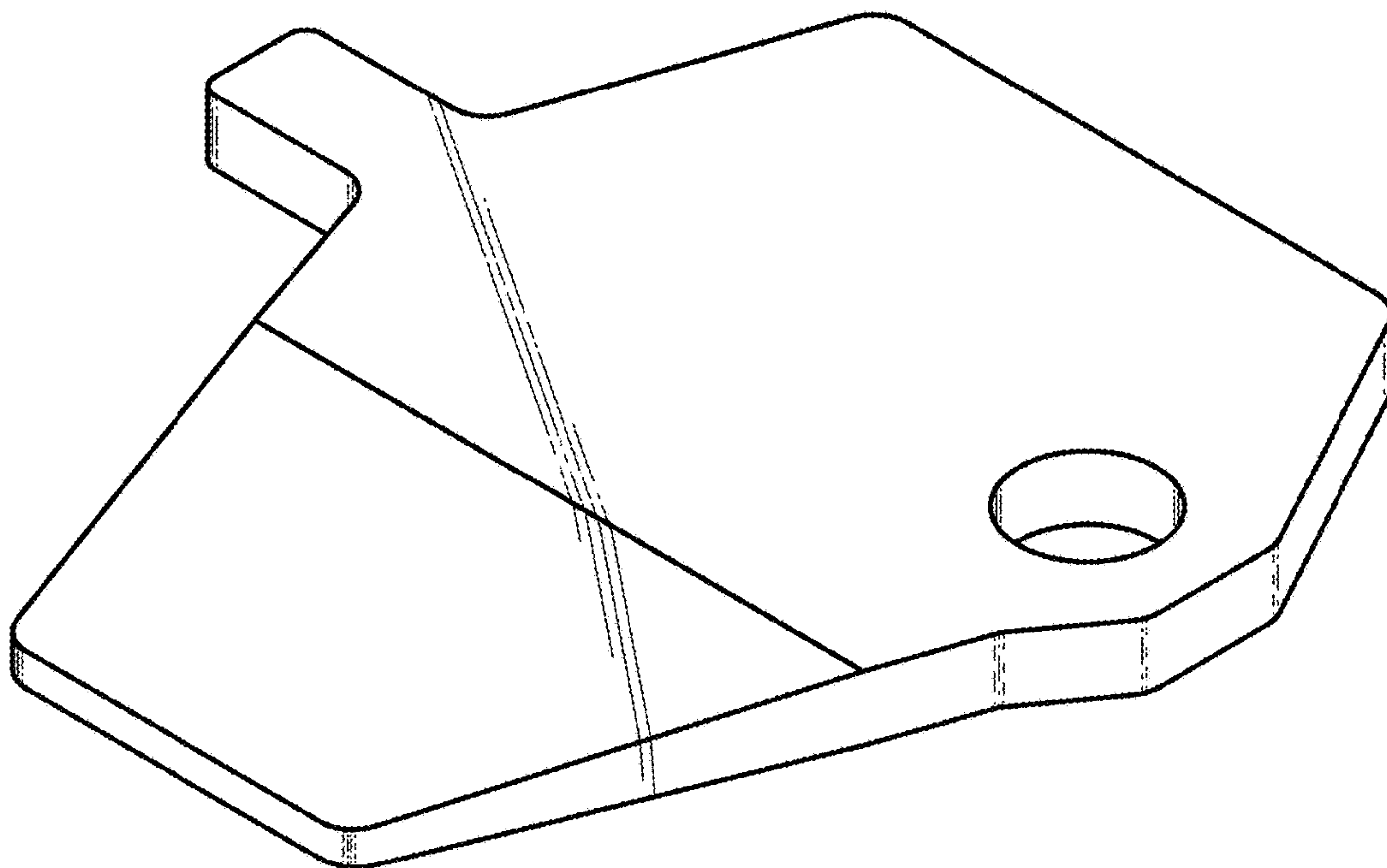


FIG. 1



FIG. 2



FIG. 3

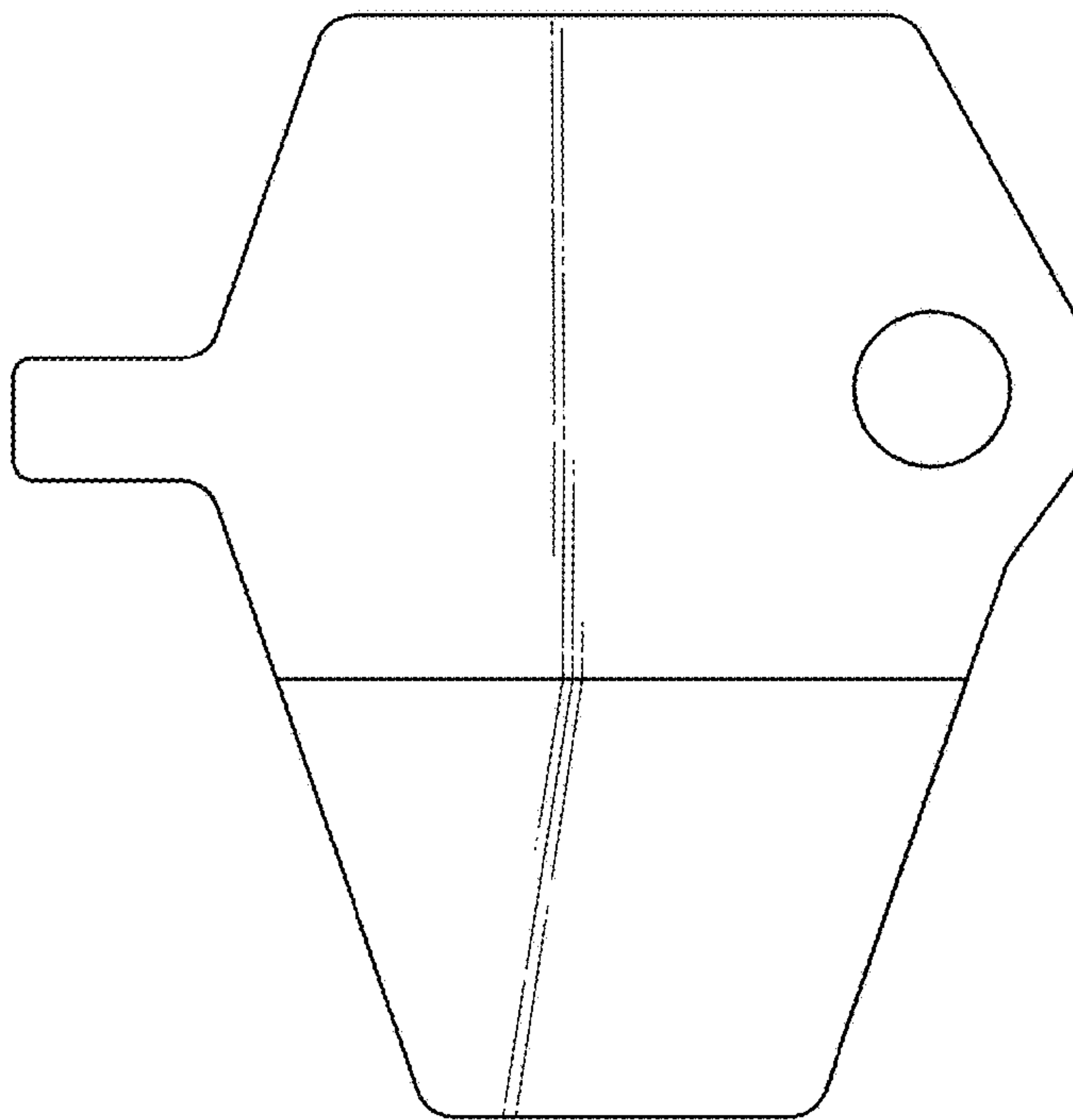


FIG. 4

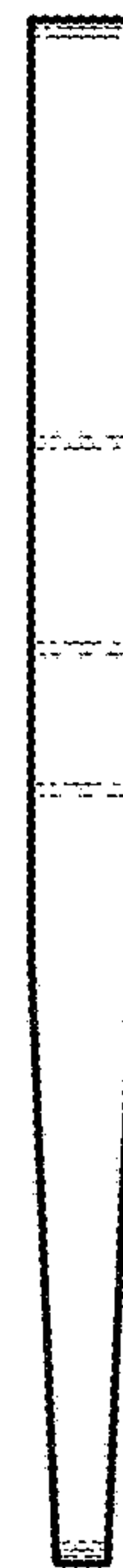


FIG. 5

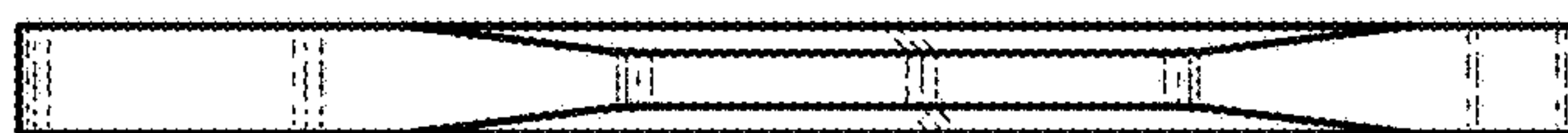


FIG. 6