



US00D788411S

(12) **United States Design Patent**  
**Daramola**

(10) **Patent No.:** **US D788,411 S**  
(45) **Date of Patent:** **\*\* Jun. 6, 2017**

- (54) **SWIM CAP**
- (71) Applicant: **Tangita Daramola**, Columbia, MD (US)
- (72) Inventor: **Tangita Daramola**, Columbia, MD (US)
- (73) Assignee: **Tangita Daramola**, Columbia, MD (US)
- (\*\*) Term: **14 Years**
- (21) Appl. No.: **29/524,815**
- (22) Filed: **Apr. 23, 2015**
- (51) **LOC (10) Cl.** ..... **02-03**
- (52) **U.S. Cl.**  
USPC ..... **D2/867**
- (58) **Field of Classification Search**  
USPC ..... D2/865, 866, 867, 868, 869, 870, 871, D2/872, 873, 874, 875, 876, 877, 878, D2/879, 880, 881, 882, 883, 884, 885, D2/886, 887, 888, 889, 890, 891, 892, D2/893, 894, 895  
CPC .. A42B 1/00; A42B 1/006; A42B 1/02; A42B 1/04; A42B 1/041; A42B 1/12; A42C 5/00; A42C 5/02; A45D 8/40  
See application file for complete search history.

- 5,920,909 A \* 7/1999 Ellsworth ..... A41D 23/00 132/273
- D578,742 S \* 10/2008 Cho ..... D2/894
- D579,179 S \* 10/2008 Childress ..... D2/882
- D584,000 S \* 12/2008 Saluan ..... D29/106
- D627,954 S \* 11/2010 Williams ..... D2/867
- 8,141,395 B2 \* 3/2012 Dillavou ..... A42B 1/225 2/195.8

(Continued)

*Primary Examiner* — Karen E. Eldridge Powers  
*Assistant Examiner* — Jasmine Mlinarcik

(57) **CLAIM**

The ornamental design for a swim cap, as shown and described.

**DESCRIPTION**

FIG. 1 is a perspective top front view of a swim cap, shown in use;  
 FIG. 2 is a front elevation view thereof;  
 FIG. 3 is a rear elevation view thereof;  
 FIG. 4 is a left side elevation view thereof; the right side elevation view being a mirror image thereof;  
 FIG. 5 is a top plan view thereof;  
 FIG. 6 is a bottom plan view thereof;  
 FIG. 7 is a perspective top front view of a swim cap, shown in an alternative environment of use;  
 FIG. 8 is a front elevation view thereof;  
 FIG. 9 is a rear elevation view thereof;  
 FIG. 10 is a left side elevation view thereof; the right side elevation view being a mirror image thereof;  
 FIG. 11 is a top plan view thereof; and,  
 FIG. 12 is a bottom plan view thereof.

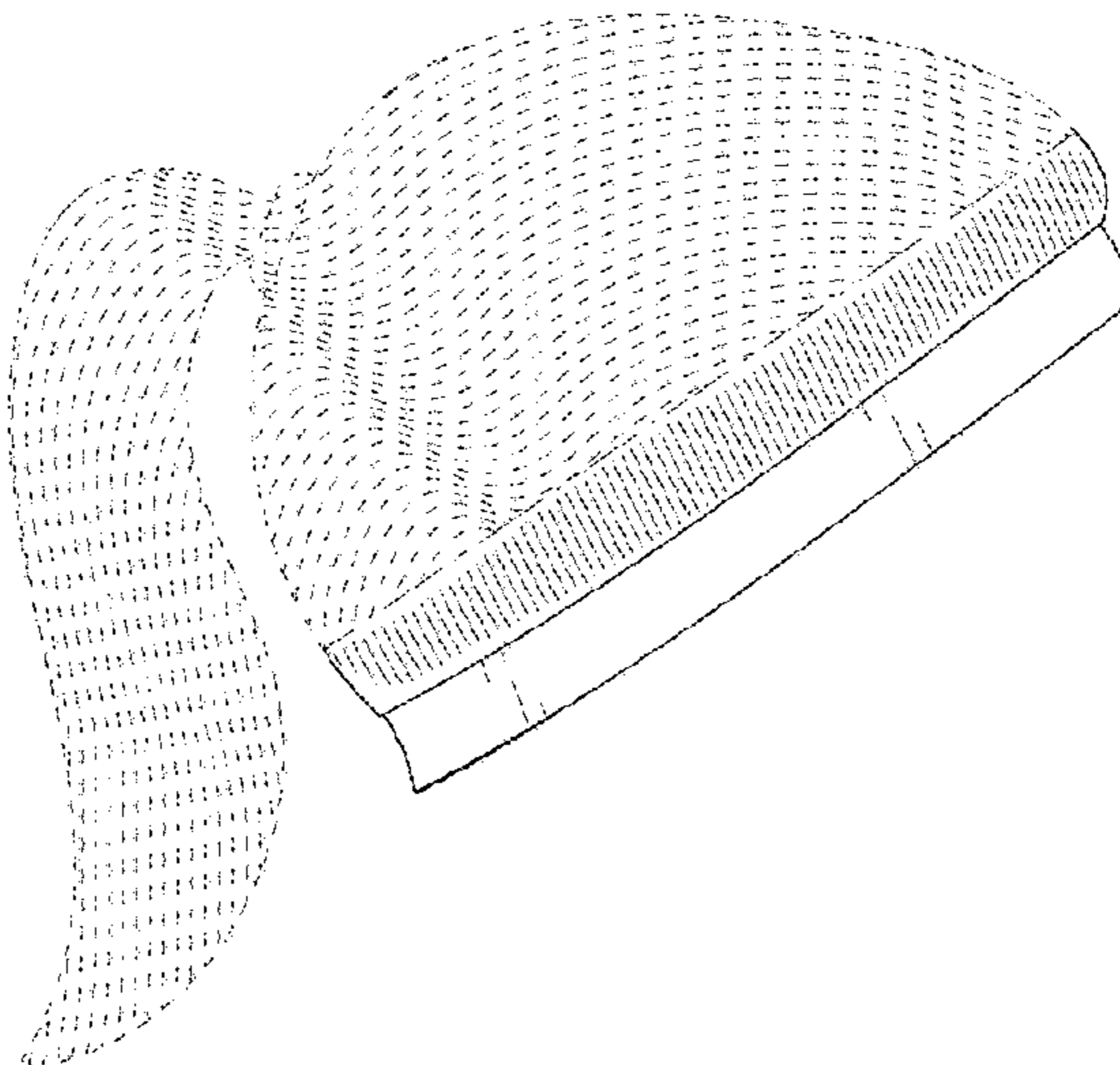
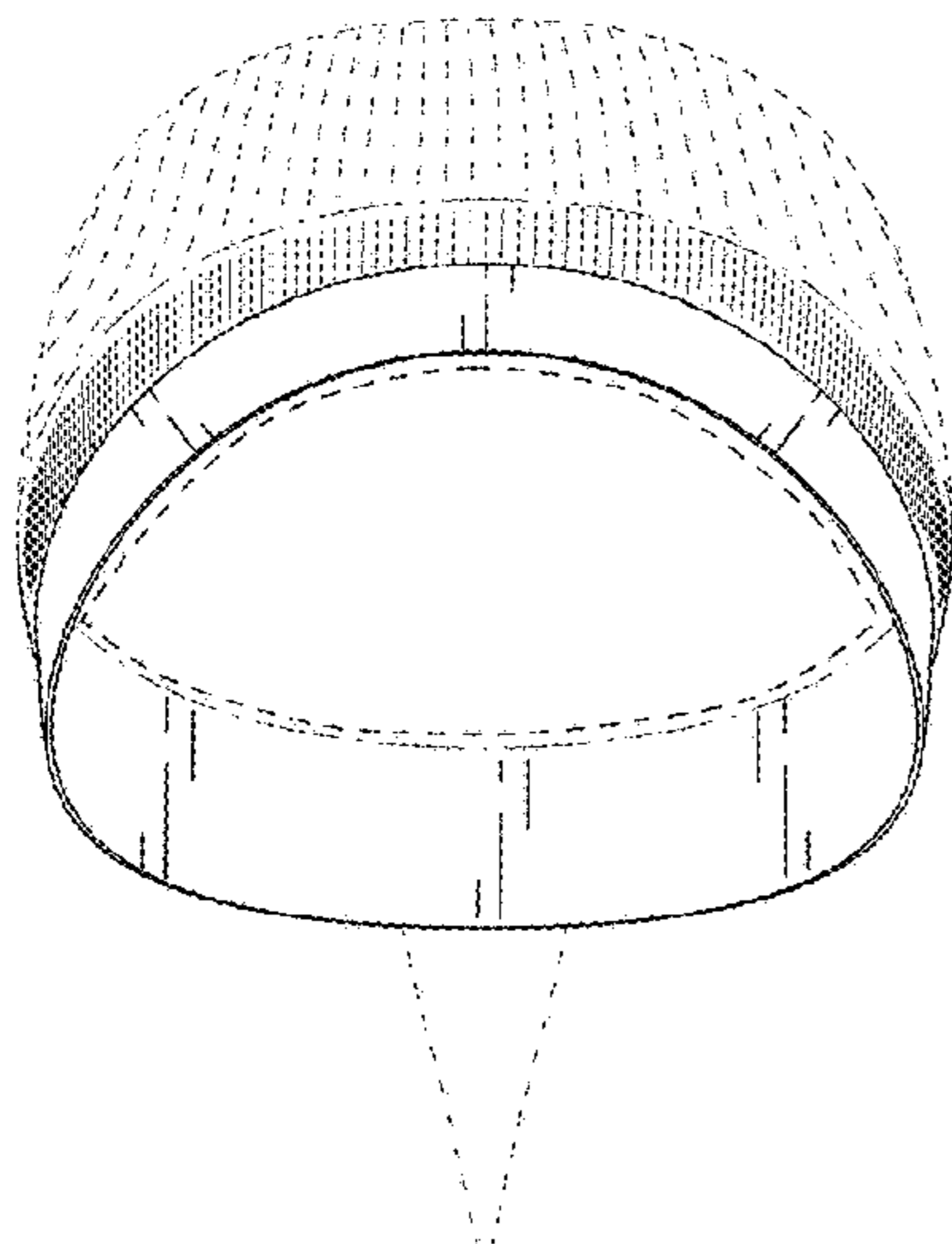
The evenly-incremented broken lines shown in the drawings illustrate portions of the swim cap that form no part of the claimed design. The dot-dash broken lines, as well as the encircling evenly-incremented broken lines within the interior of the swim cap shown in FIGS. 2, 6, 8, and 12, illustrate the bounds of the claimed design that form no part thereof.

**1 Claim, 4 Drawing Sheets**

(56) **References Cited**

**U.S. PATENT DOCUMENTS**

- 1,349,206 A \* 8/1920 Jeffers ..... A42B 1/12 2/68
- 1,853,894 A \* 4/1932 De Laney ..... B29D 99/0075 156/160
- 3,392,737 A \* 7/1968 Fefferman ..... A42B 1/041 132/274
- 3,407,408 A \* 10/1968 Hansen ..... A42B 1/12 2/68
- D402,091 S \* 12/1998 Bratcher ..... D2/610



(56)

**References Cited**

U.S. PATENT DOCUMENTS

D665,560 S \* 8/2012 Shakir ..... D2/881  
8,402,926 B1 \* 3/2013 Nunez ..... A01K 13/006  
119/850  
D690,056 S \* 9/2013 Lancaster ..... D29/112  
8,613,114 B1 \* 12/2013 Olivares Velasco ... A42B 3/125  
2/171  
9,179,721 B2 \* 11/2015 Hines ..... A41G 3/0033  
2006/0179543 A1 \* 8/2006 Burmester ..... A42B 1/002  
2/171  
2014/0101827 A1 \* 4/2014 Dennis ..... A42B 1/041  
2/410  
2015/0335086 A1 \* 11/2015 Murphy ..... A42B 1/12  
2/171

\* cited by examiner

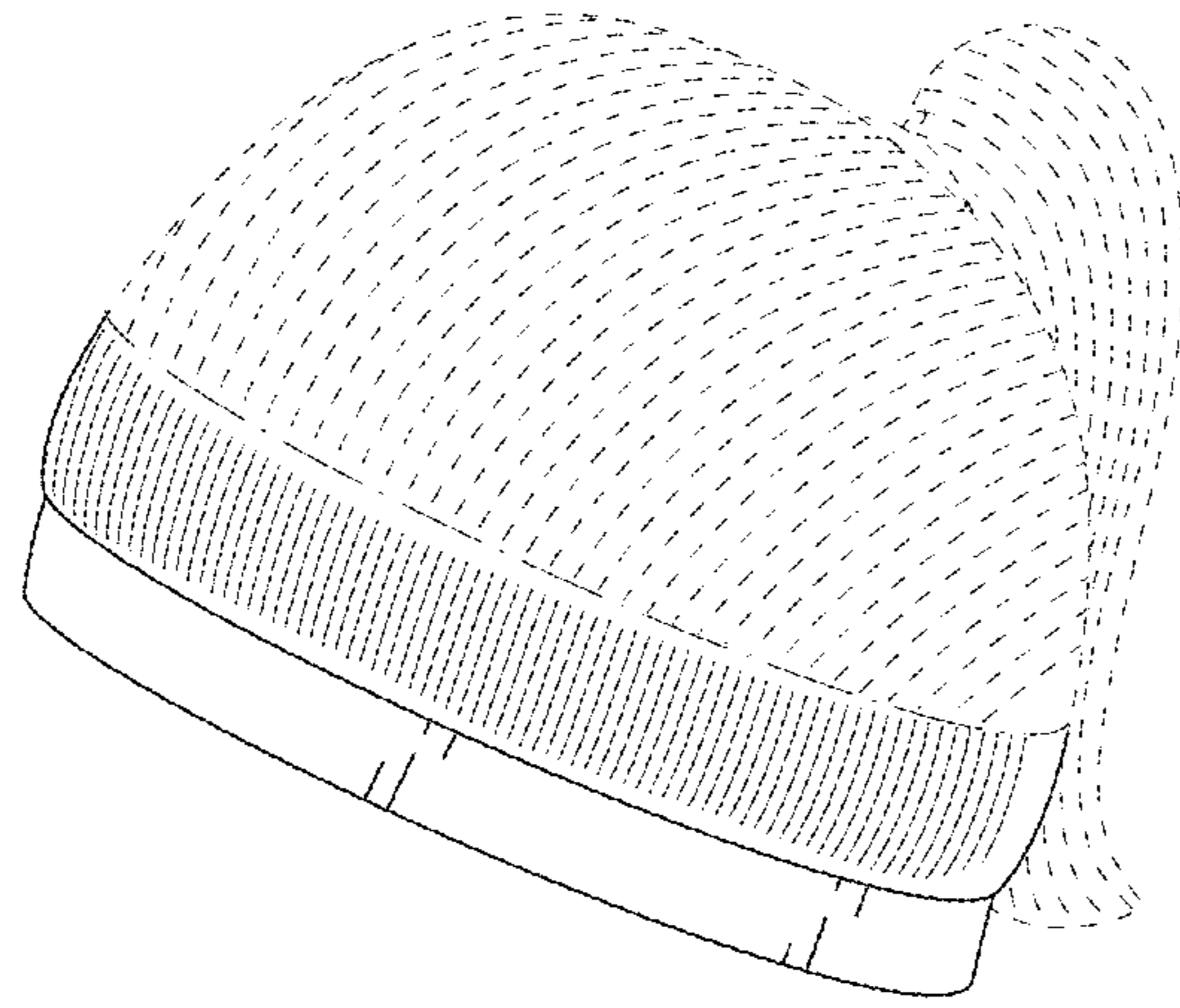


FIG. 1

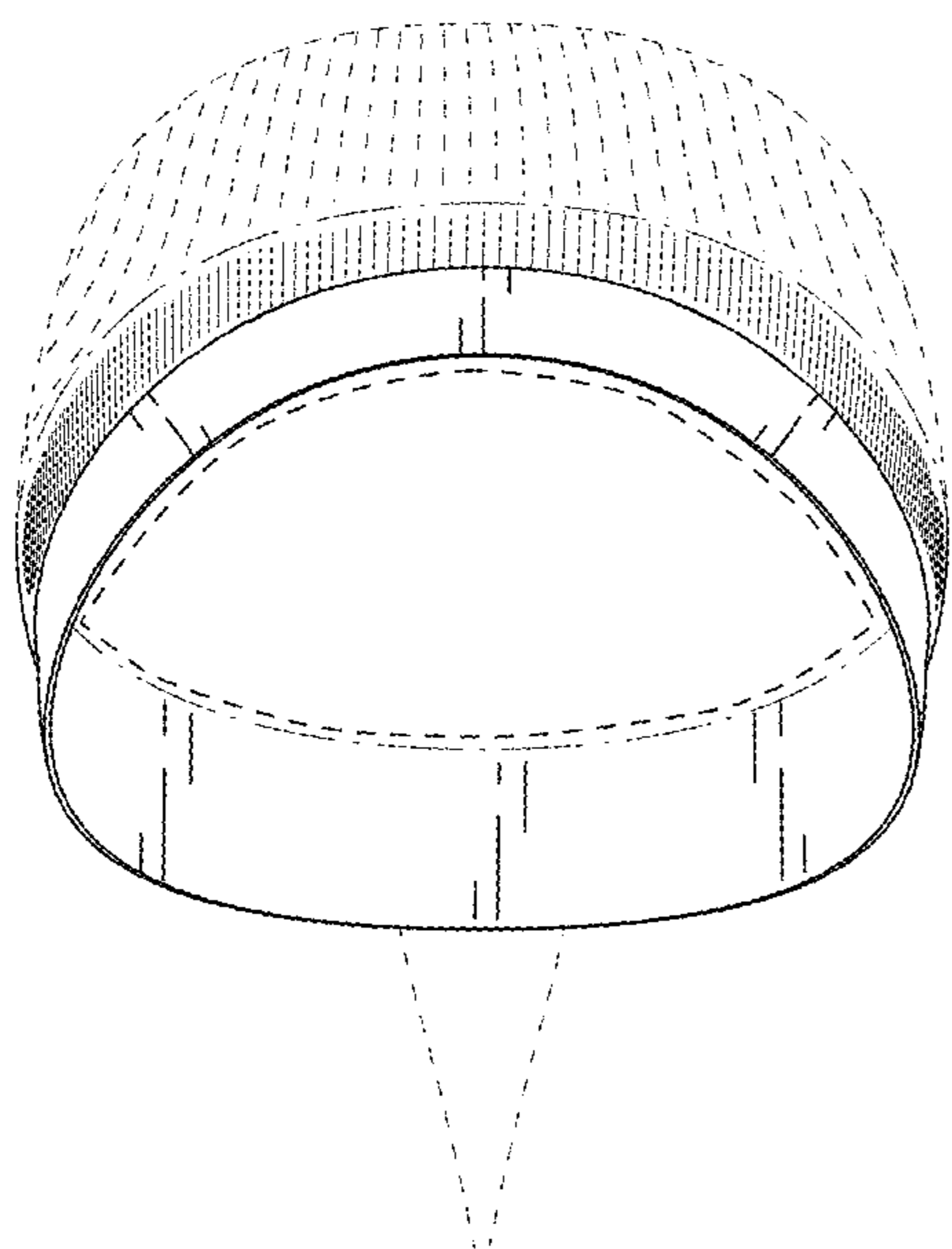


FIG. 2

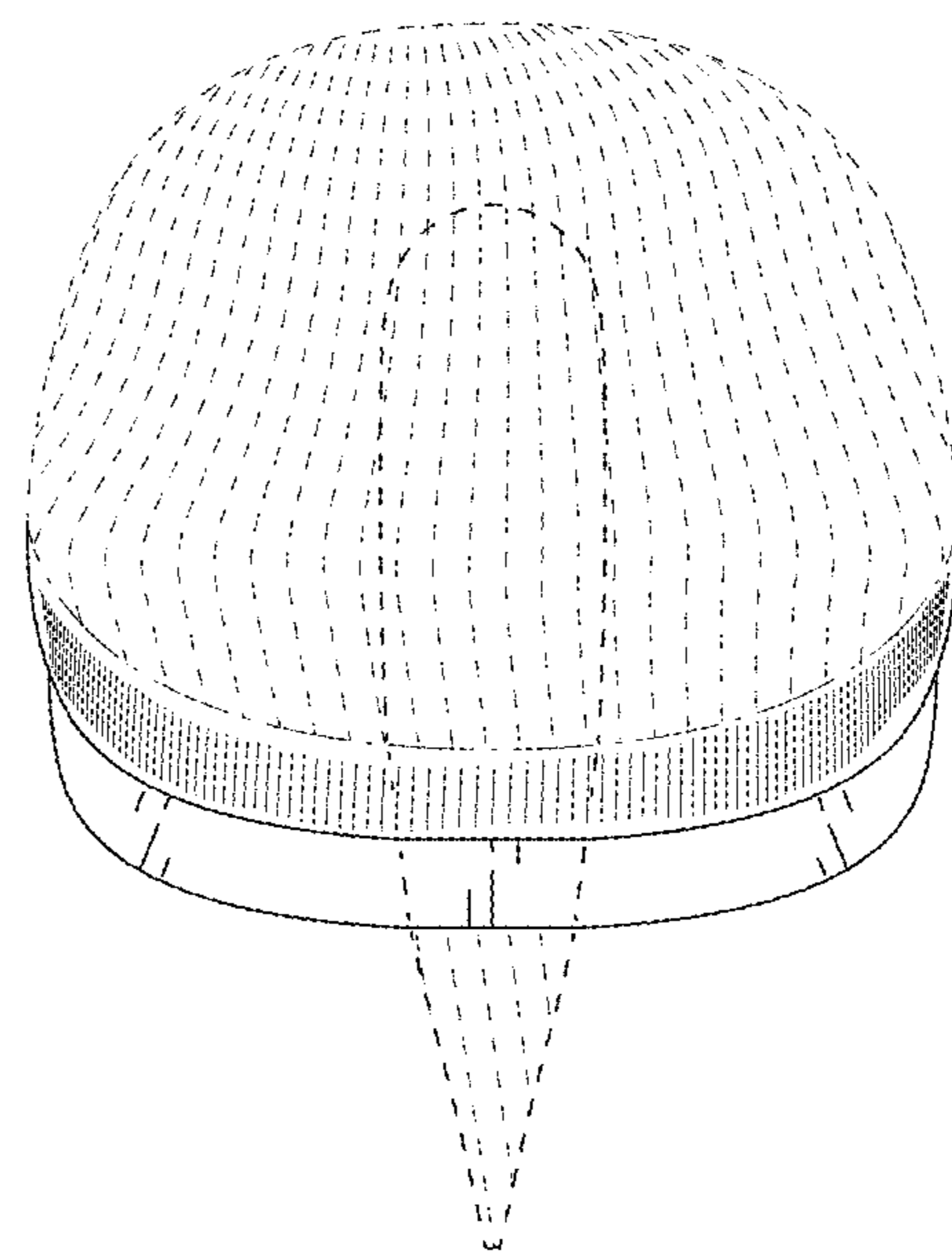


FIG. 3

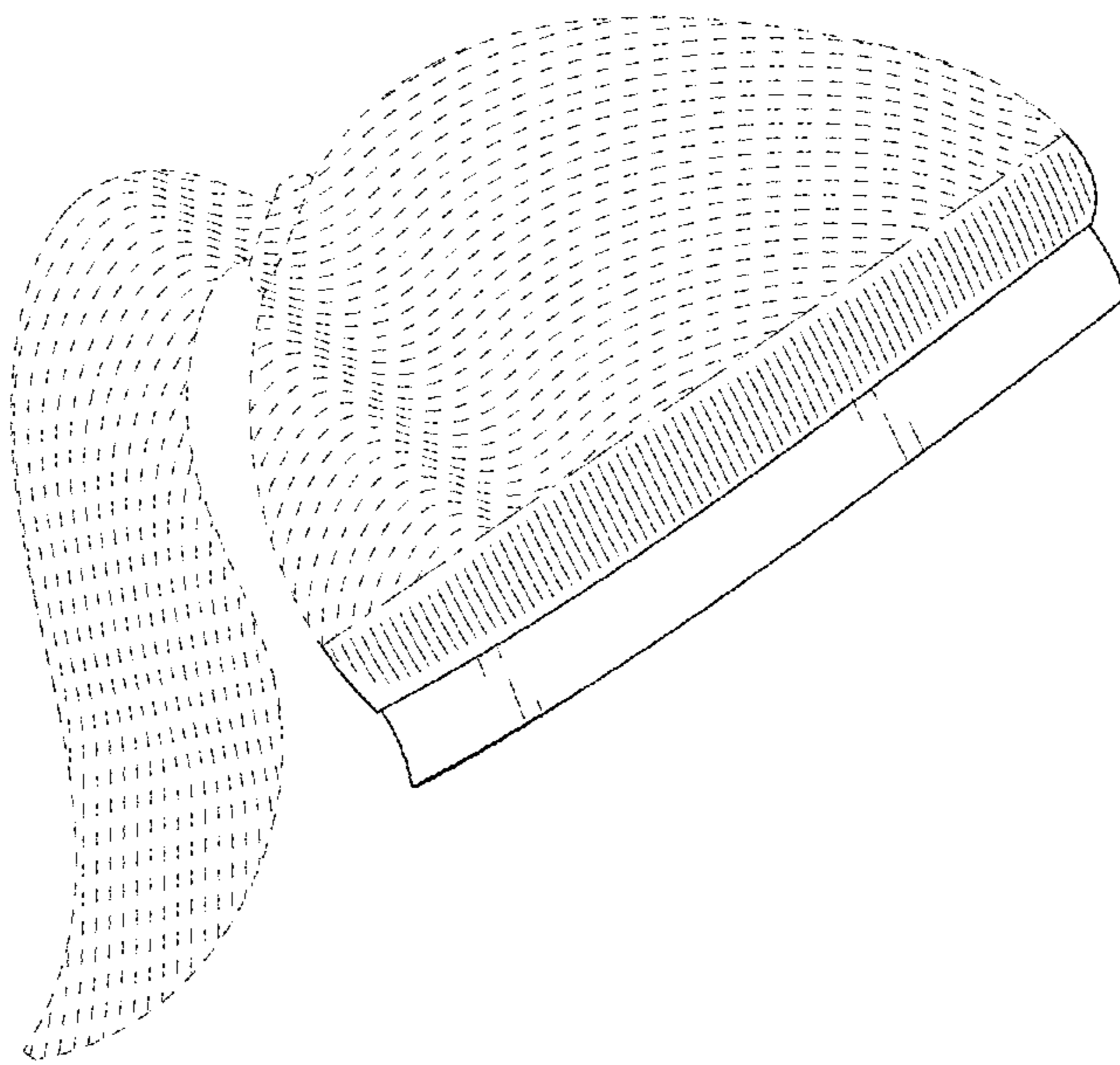


FIG. 4

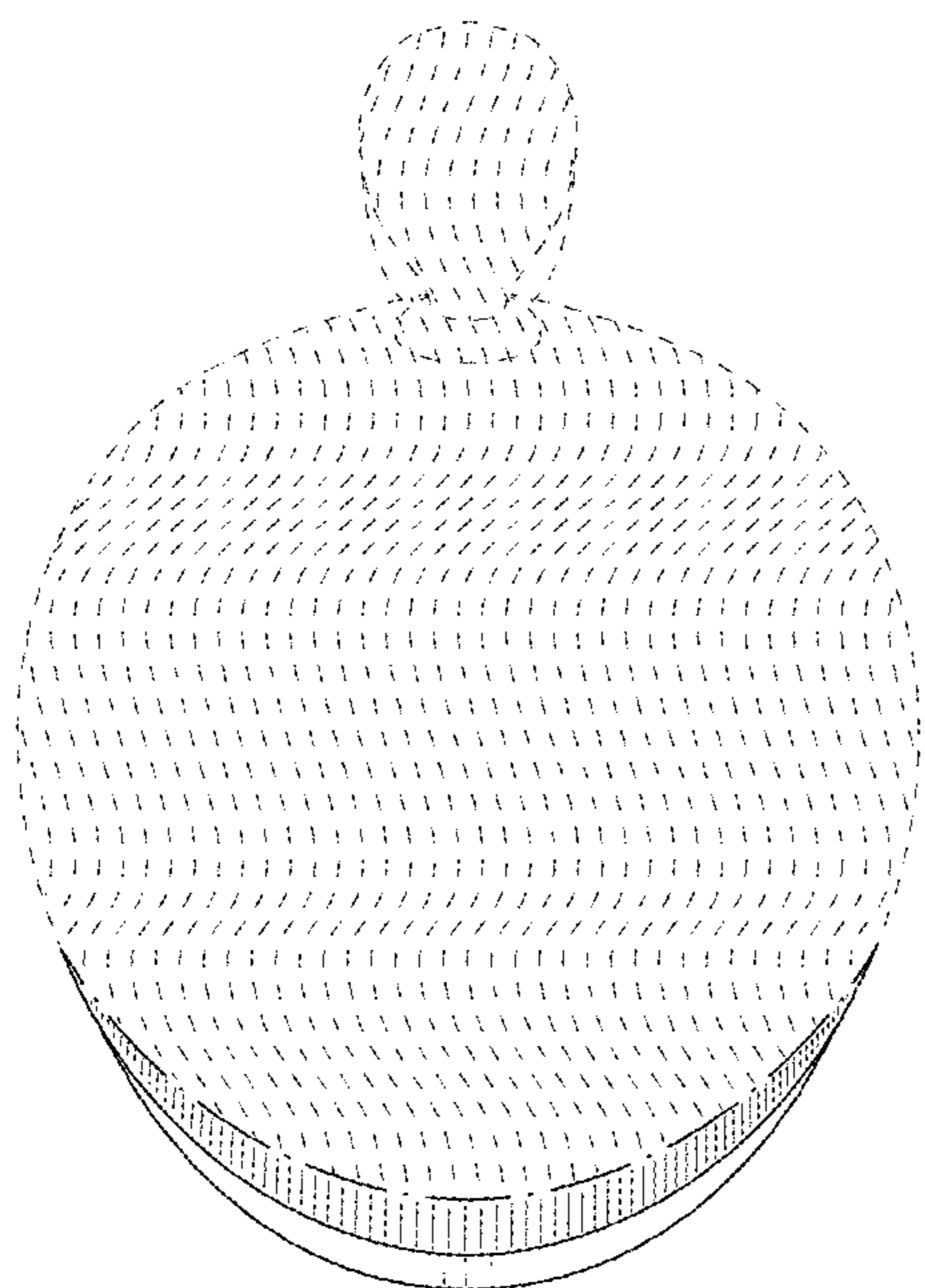


FIG. 5

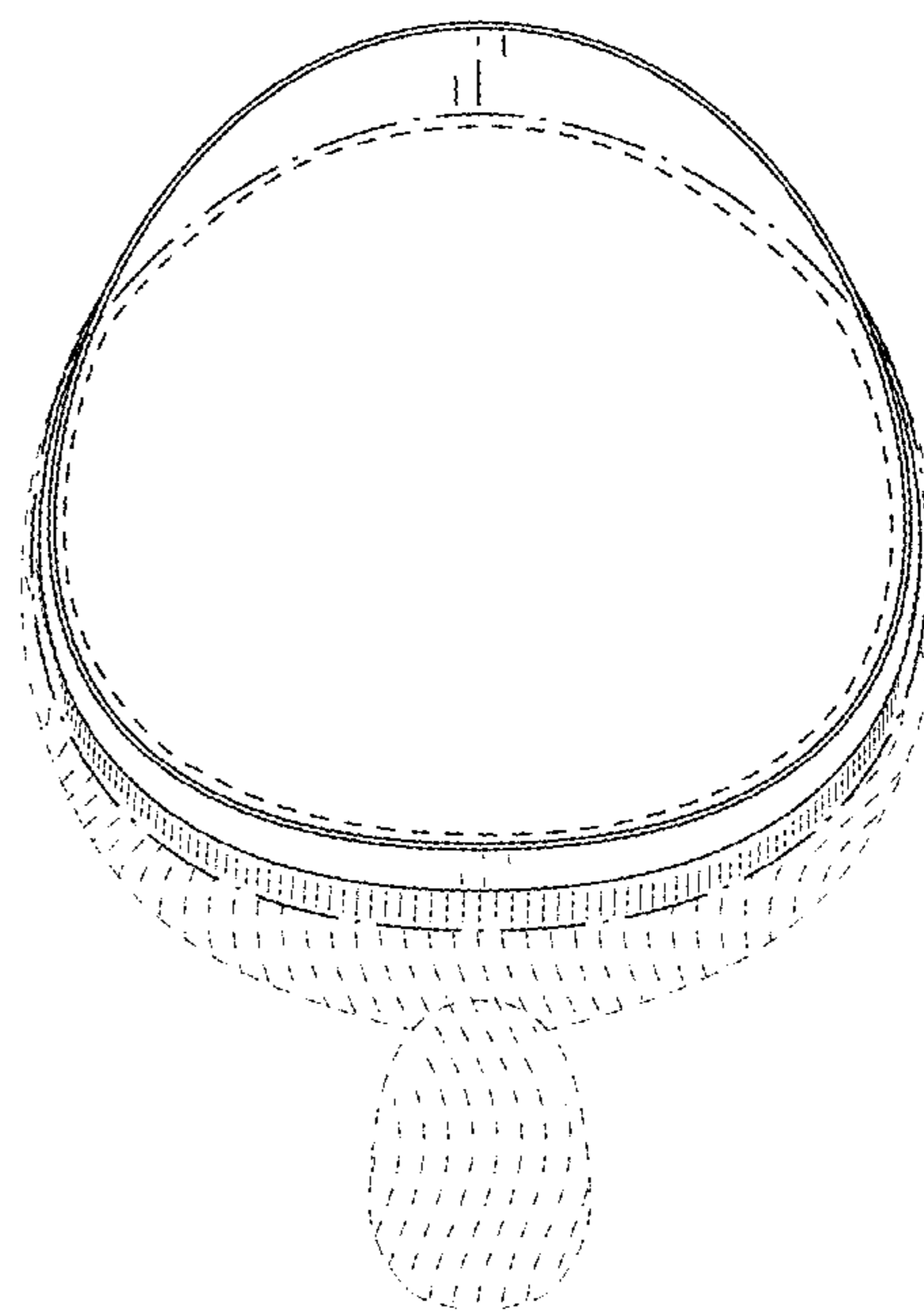


FIG. 6

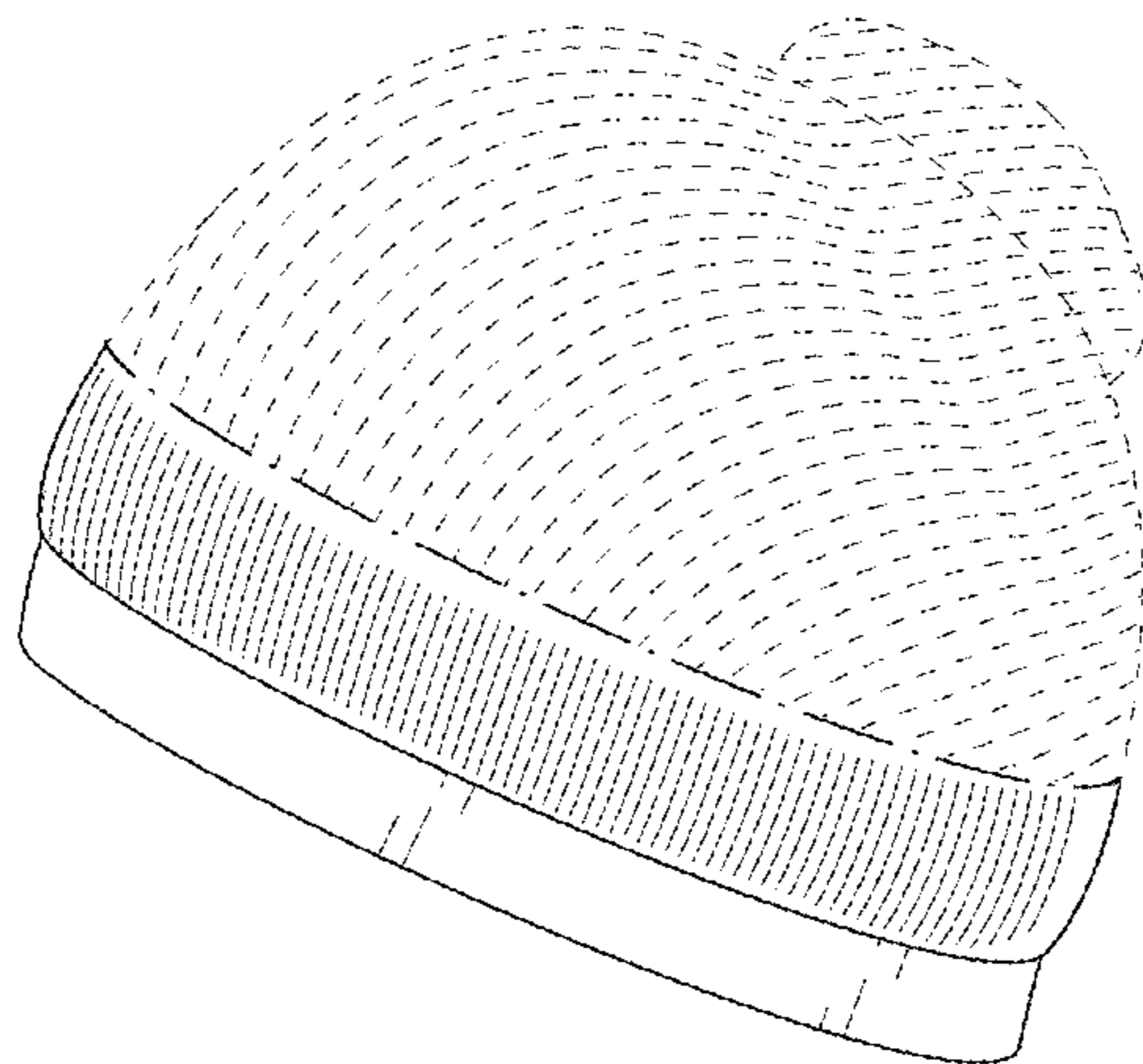


FIG. 7

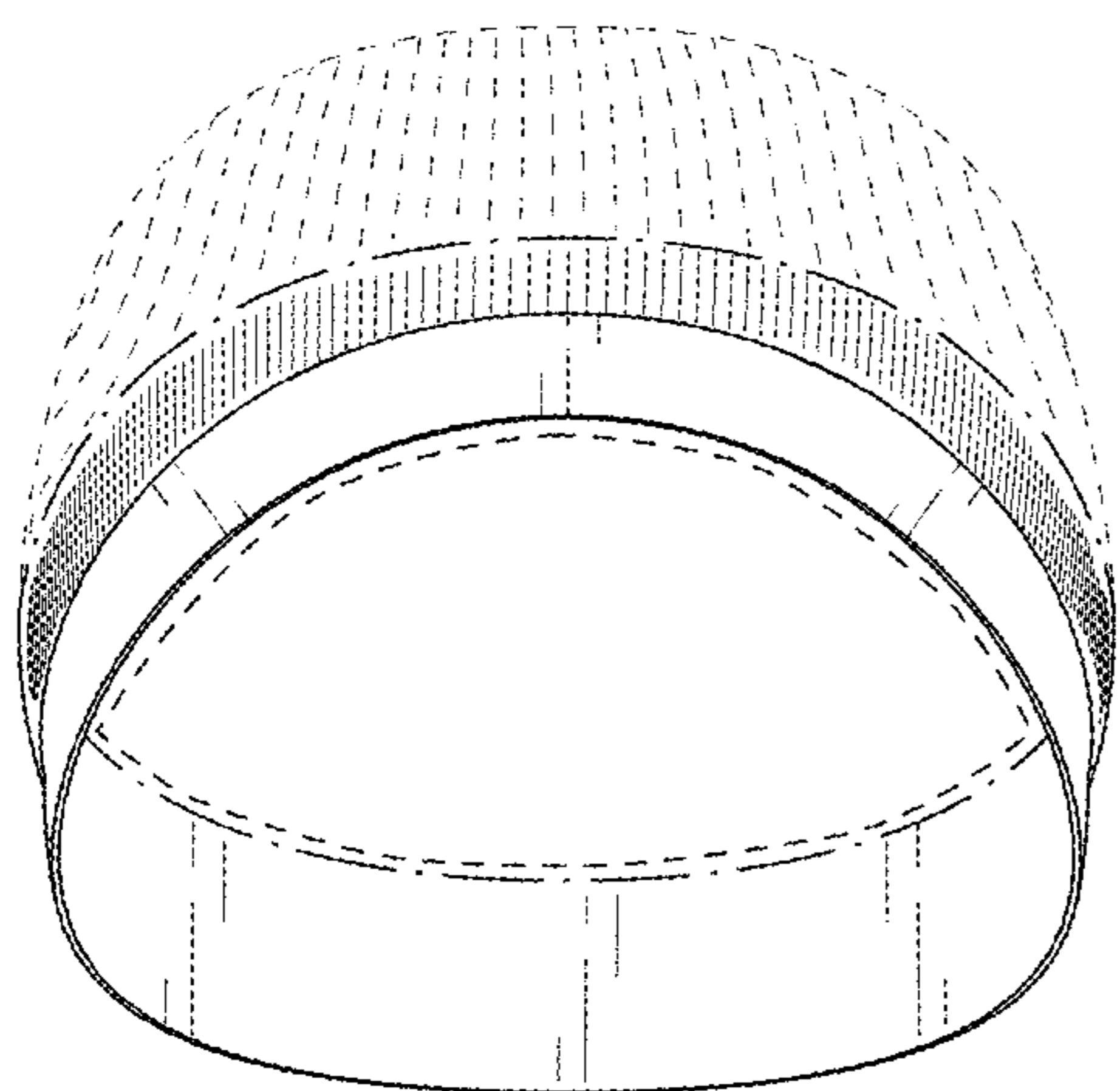


FIG. 8

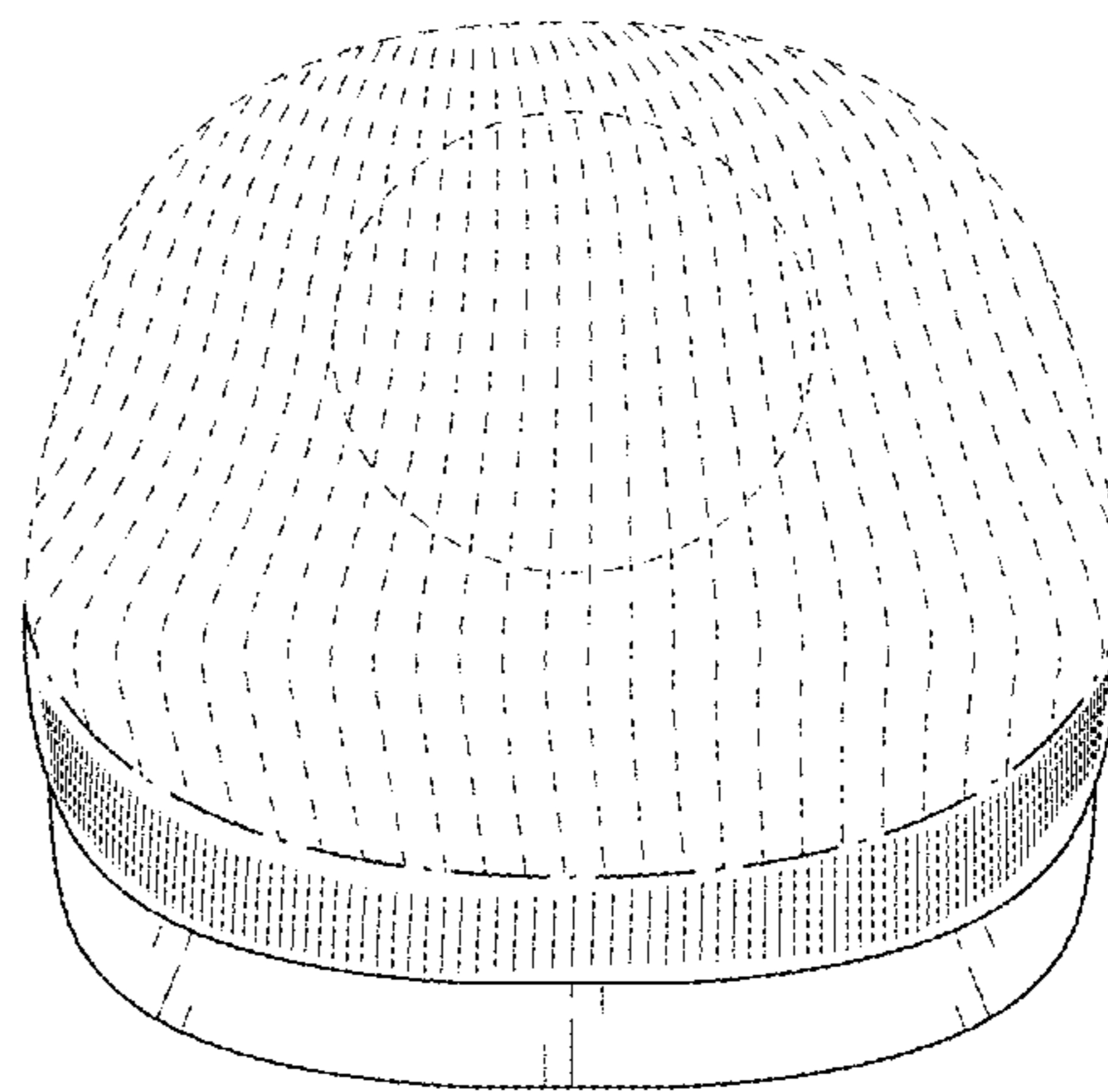


FIG. 9

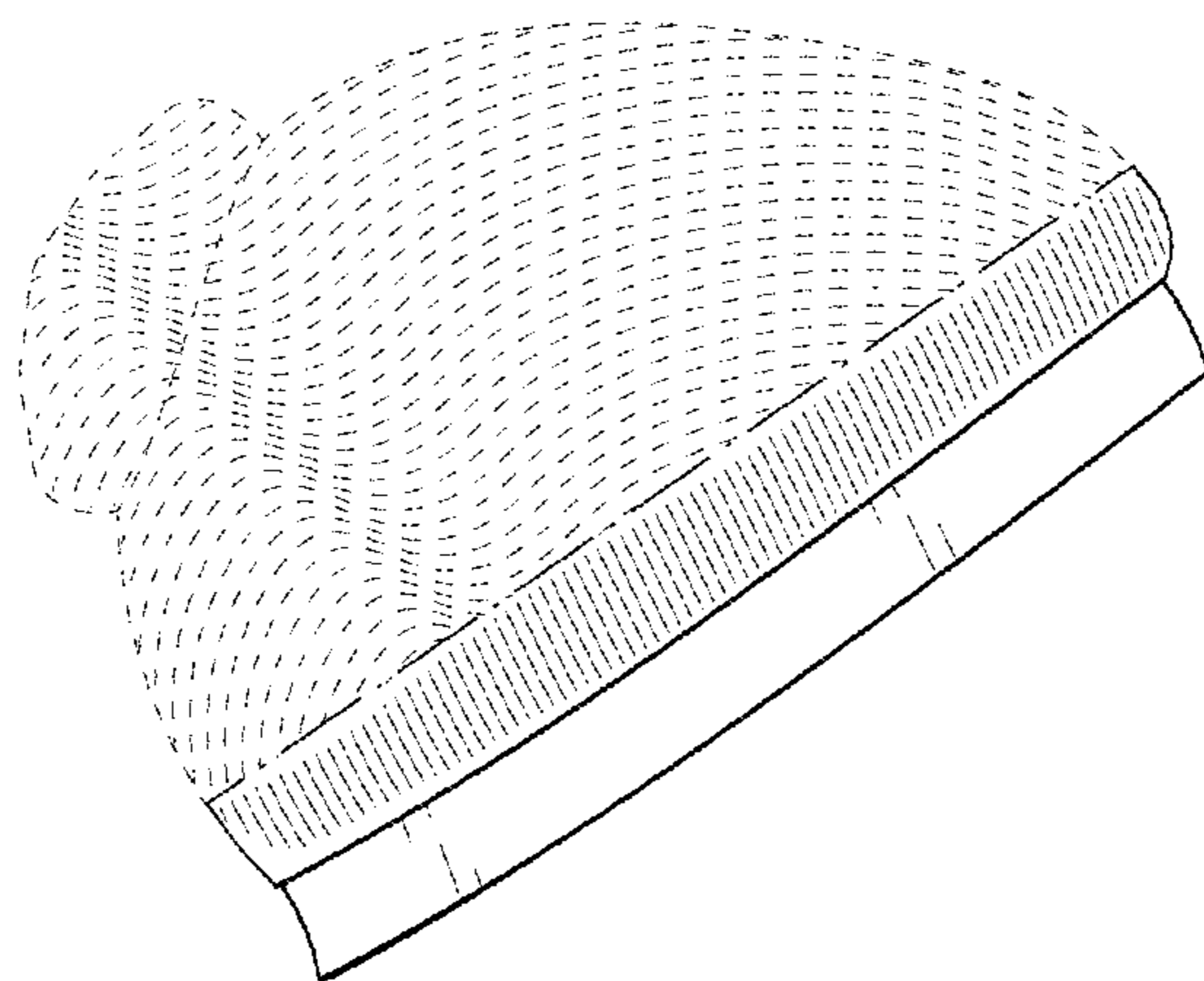


FIG. 10

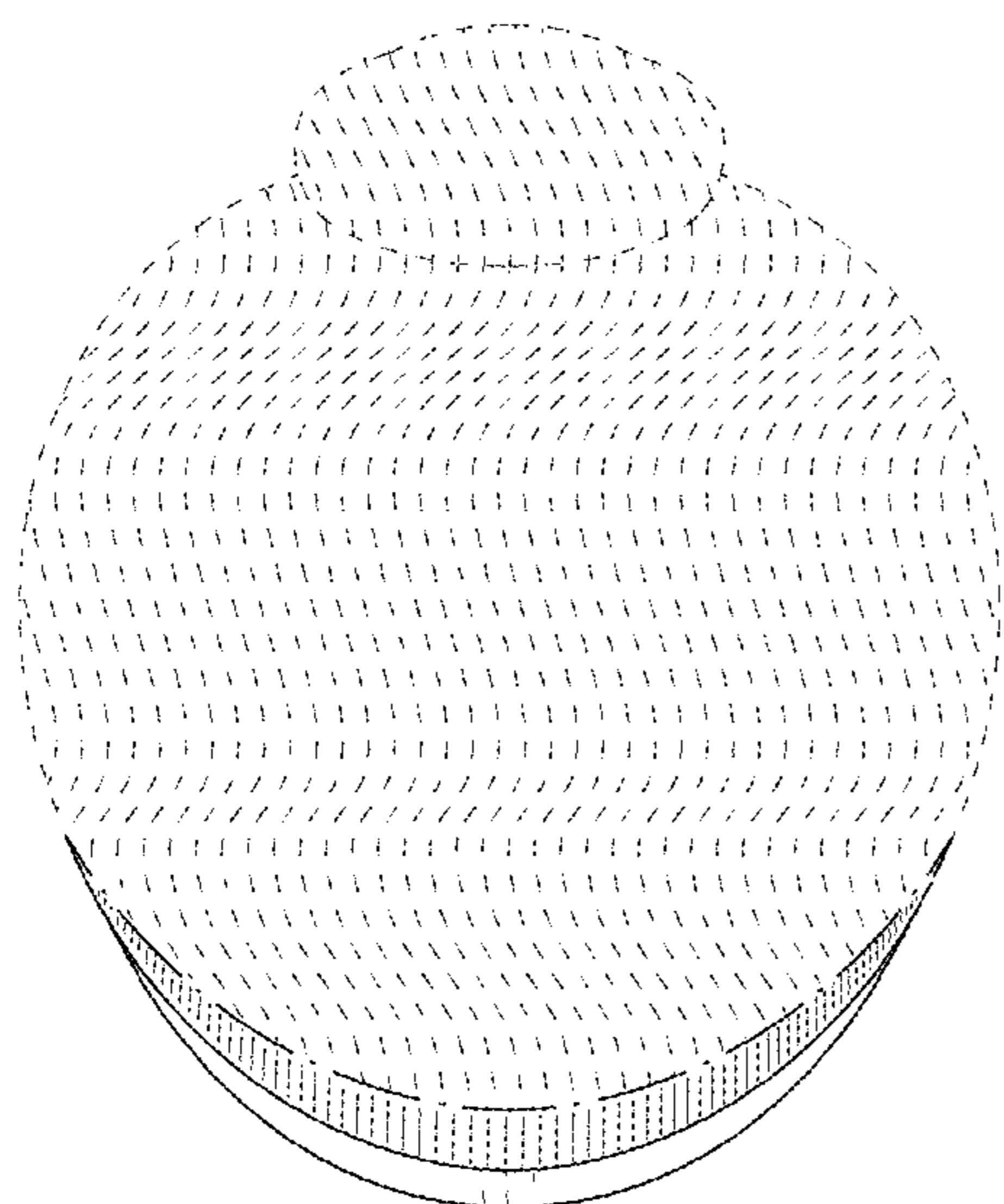


FIG. 11

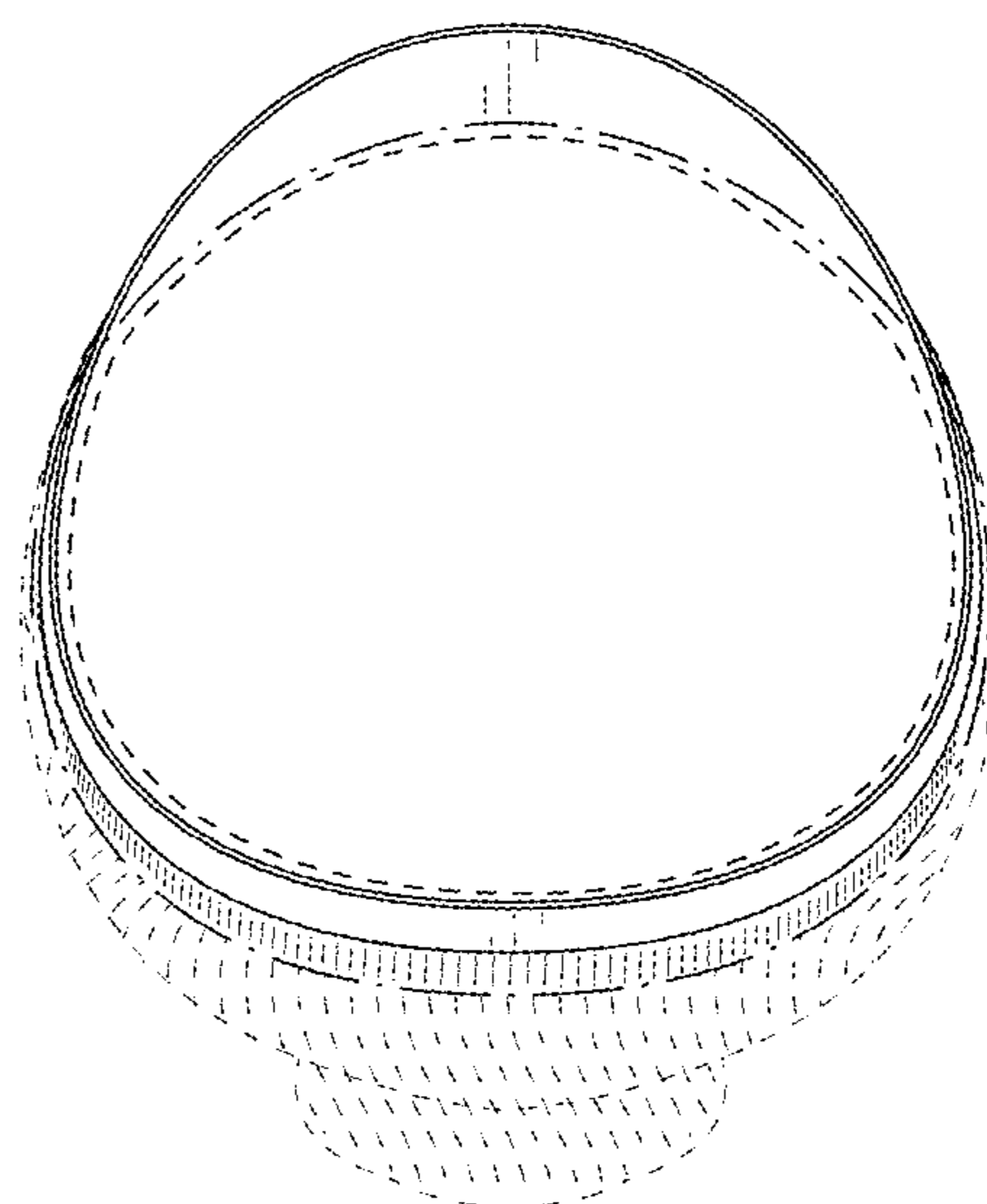


FIG. 12