



US00D788399S

(12) **United States Design Patent** (10) **Patent No.:** **US D788,399 S**
Dahlström (45) **Date of Patent:** **** May 30, 2017**

(54) **PALLET TRUCK**

(71) Applicant: **Pallea AB**, Västerås (SE)

(72) Inventor: **Björn Dahlström**, Saltsjö-Duvnäs (SE)

(73) Assignee: **Pallea AB**, Västerås (SE)

(**) Term: **14 Years**

(21) Appl. No.: **29/525,241**

(22) Filed: **Apr. 28, 2015**

(30) **Foreign Application Priority Data**

Oct. 31, 2014 (EM) 002568808

(51) **LOC (10) Cl.** **12-02**

(52) **U.S. Cl.**
USPC **D34/23**

(58) **Field of Classification Search**
USPC D34/12, 16, 17, 21, 23, 24, 25, 28, 34,
D34/38; 414/2, 7, 592
CPC .. B62B 1/125; B62B 1/20; B62B 1/24; B62B
1/26; B62B 2206/006; B62B 3/027; B62B
3/022
See application file for complete search history.

(56) **References Cited**

U.S. PATENT DOCUMENTS

D282,499 S * 2/1986 Alstrom D12/129
D363,588 S * 10/1995 Bancroft D34/12
D395,110 S * 6/1998 O'Neal 280/47.24
D449,913 S * 10/2001 Walter D34/17
D472,027 S * 3/2003 Walter D34/21
D618,421 S * 6/2010 Catron D34/27

D652,190 S * 1/2012 Slaton D34/17
D746,012 S * 12/2015 Walter D34/12
2014/0183832 A1* 7/2014 Wang B62B 3/022
280/39

* cited by examiner

Primary Examiner — Cynthia Ramirez

Assistant Examiner — Michael Maharajh

(74) *Attorney, Agent, or Firm* — Dilworth & Barrese, LLP

(57) **CLAIM**

The ornamental design for a pallet truck, as shown and described.

DESCRIPTION

FIG. 1 is a front elevational view of the pallet truck showing my new design;

FIG. 2 is a rear elevational view of the pallet truck of FIG. 1;

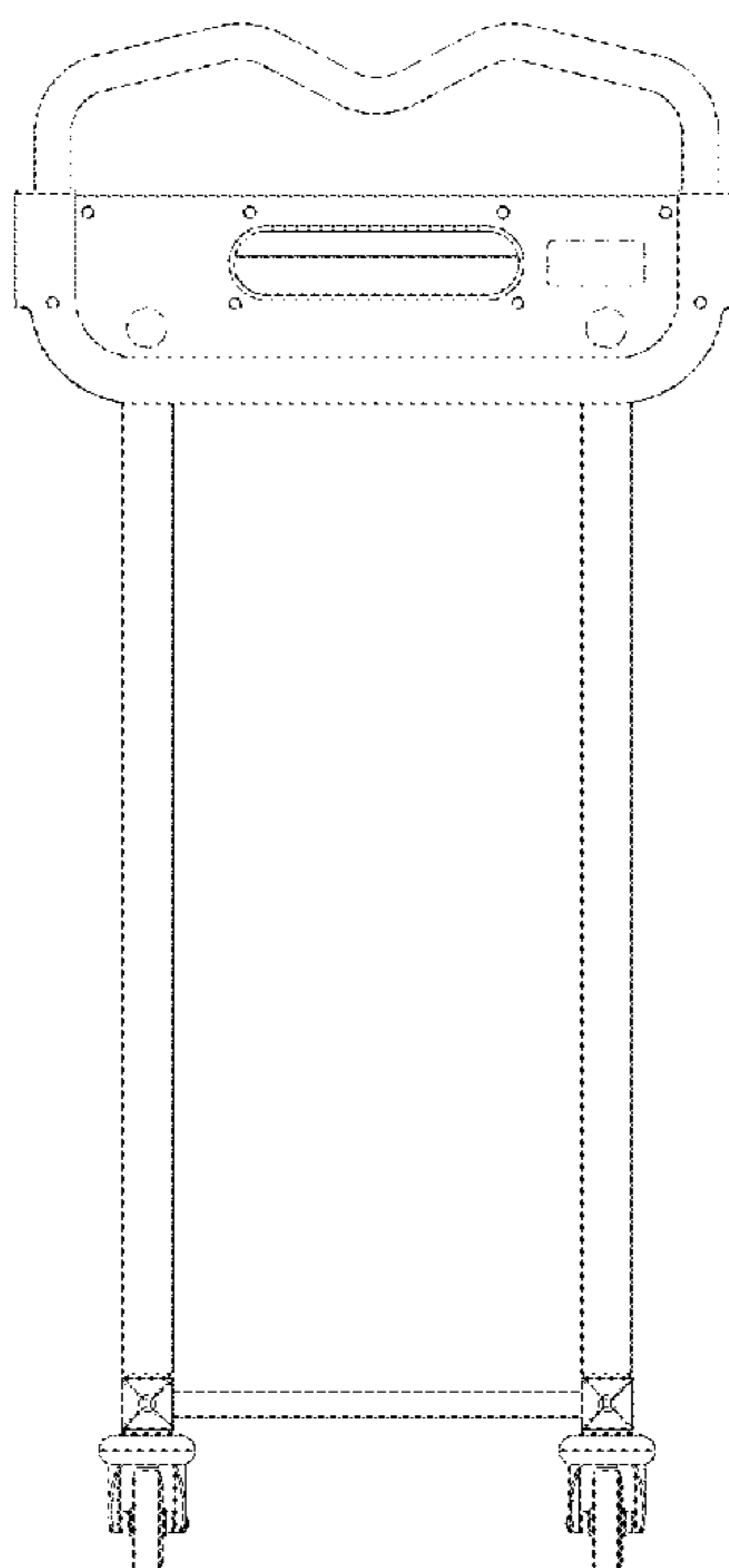
FIG. 3 is a left side elevational view of the pallet truck of FIGS. 1 and 2, the right side elevational view being a mirror image thereof;

FIG. 4 is a top plan view of the pallet truck of FIGS. 1-3; FIG. 5 is a right front perspective view of the pallet truck of FIGS. 1-4, the left front perspective view being a mirror image thereof; and,

FIG. 6 is a right front perspective view similar to FIG. 5, and showing the pallet truck in partially folded or collapsed condition.

The broken lines shown in the figures are for the purpose of illustrating portions of the pallet truck and form no part of the claimed design.

1 Claim, 6 Drawing Sheets



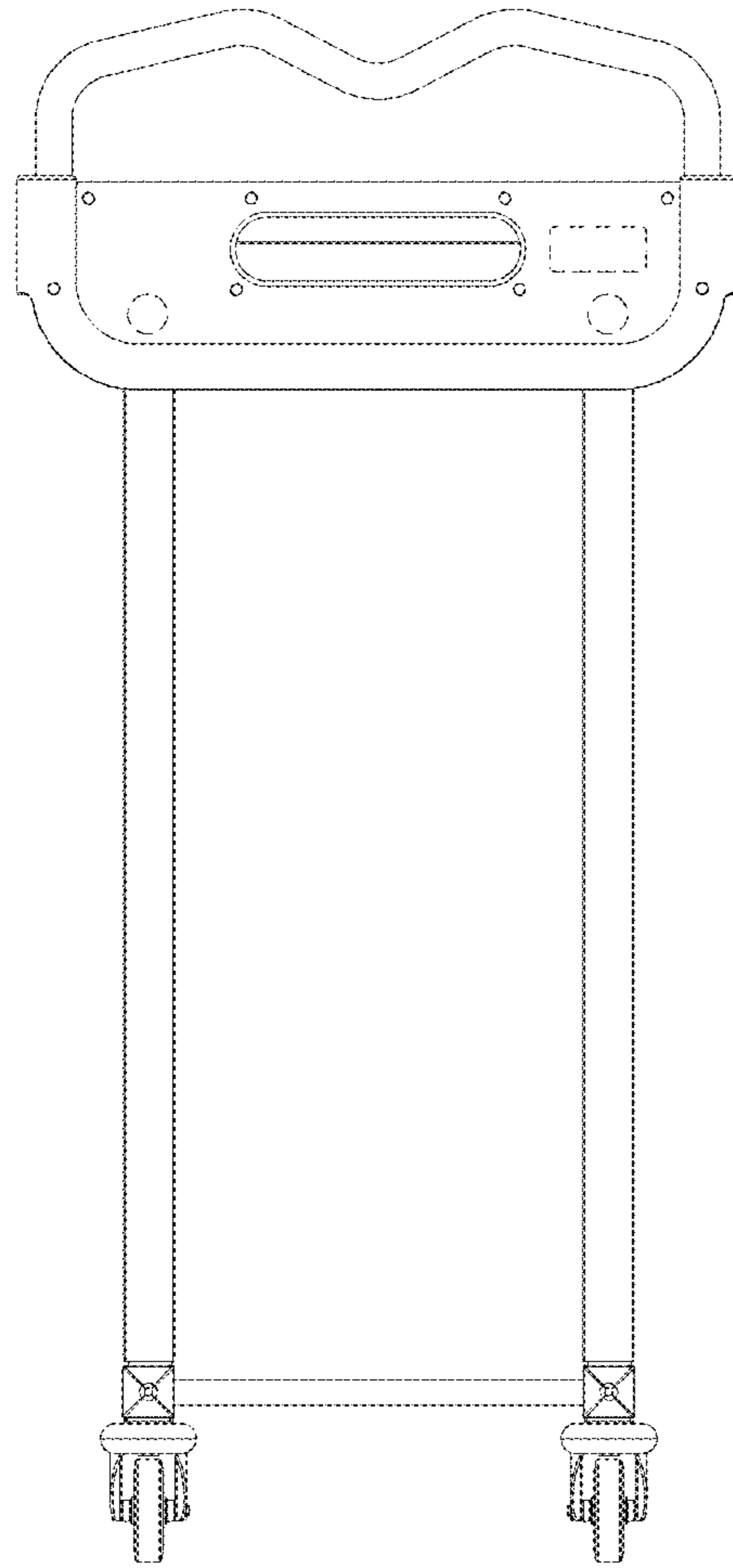


FIG. 1

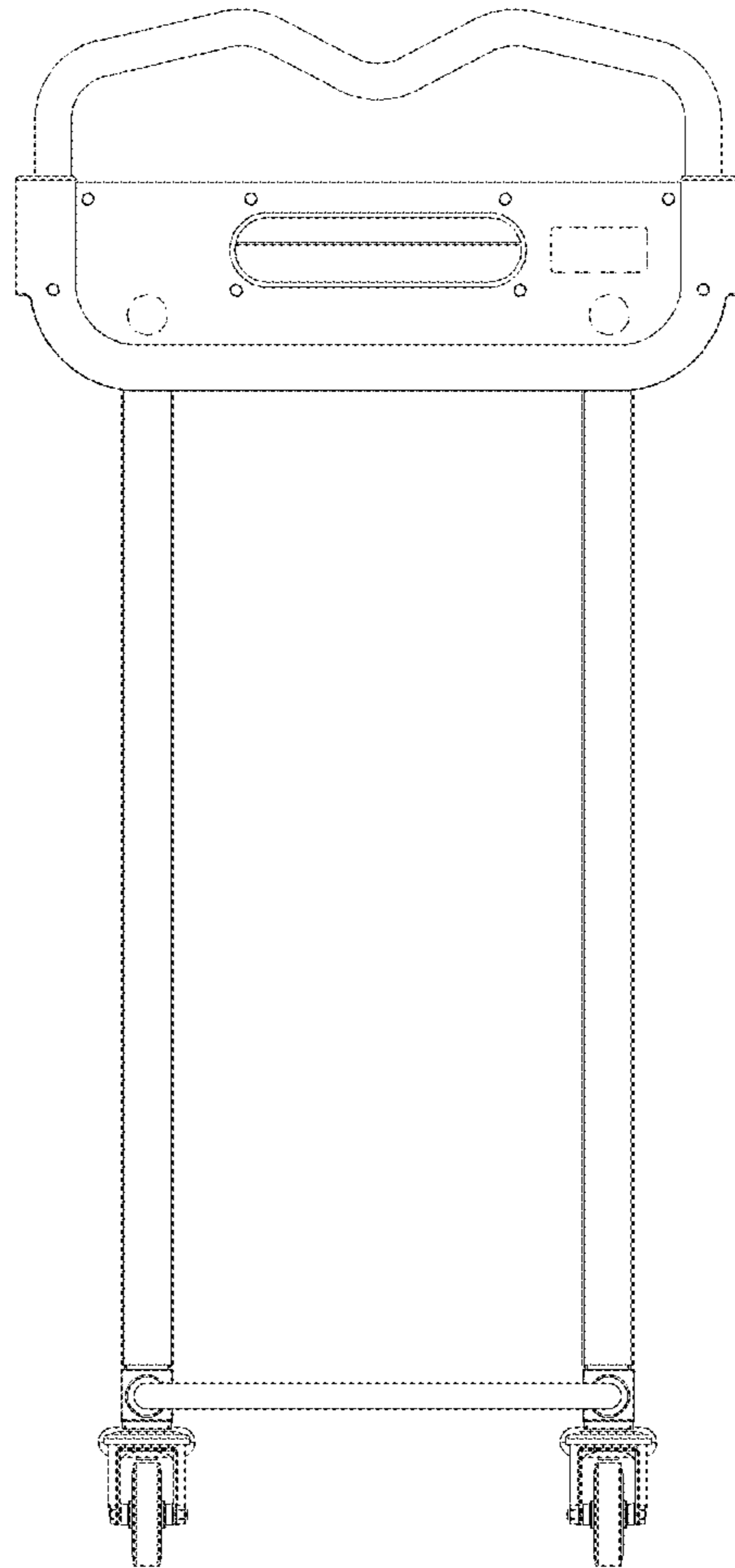


FIG. 2

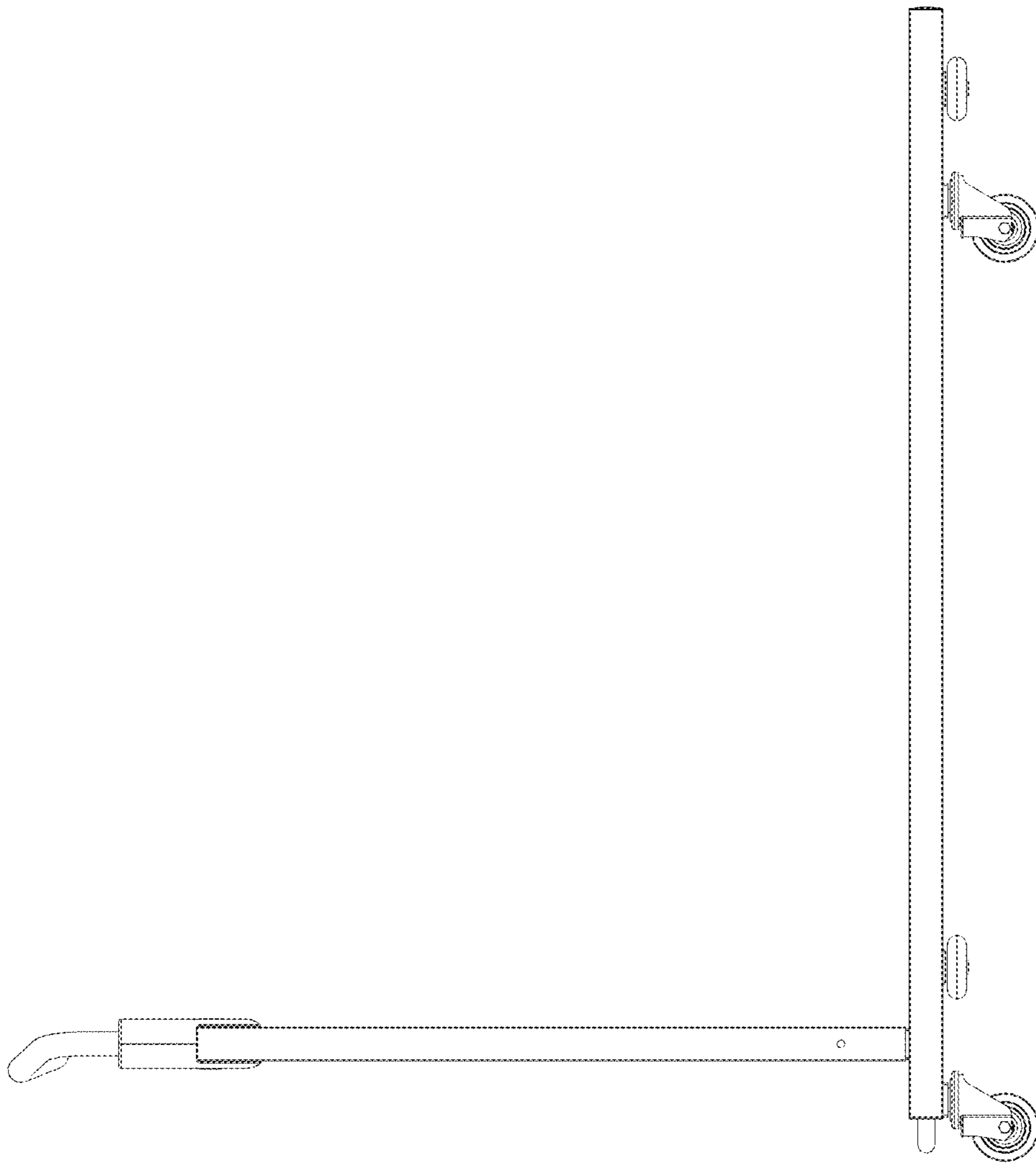


FIG. 3

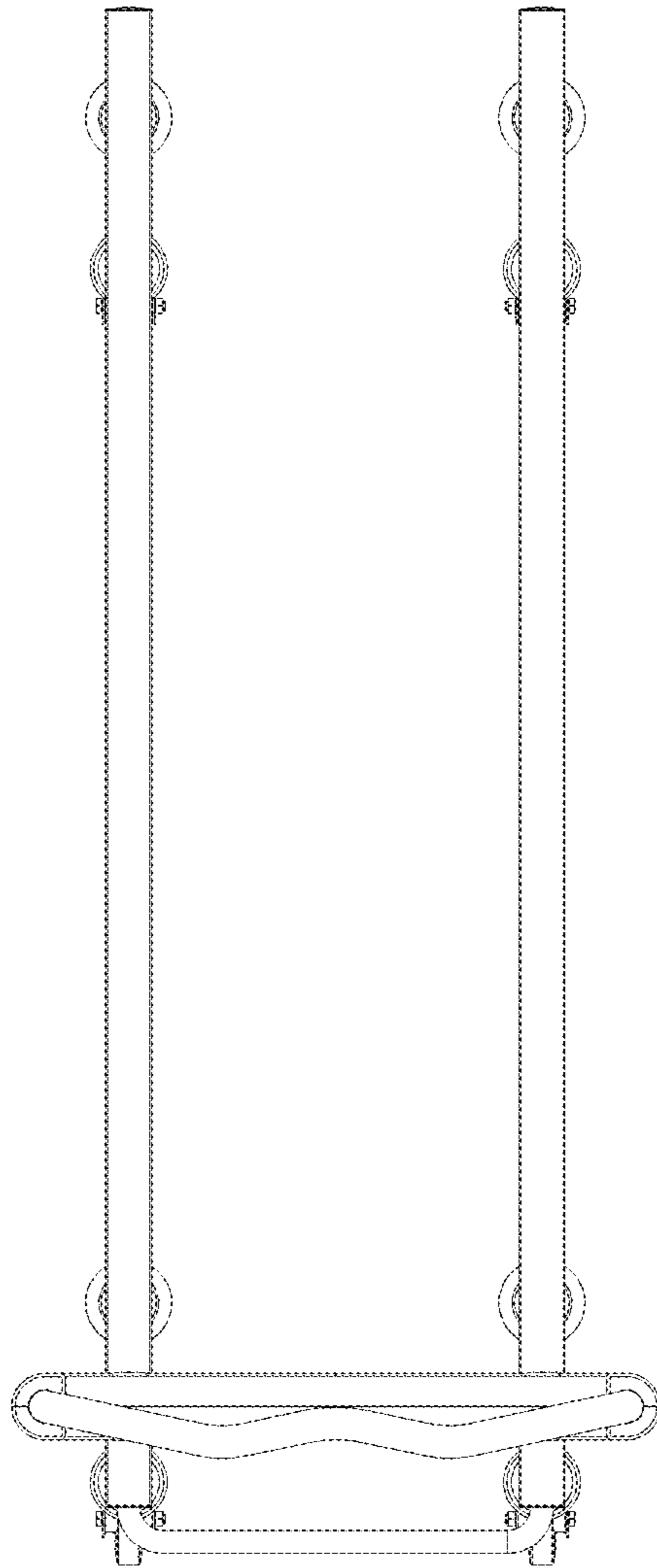


FIG. 4

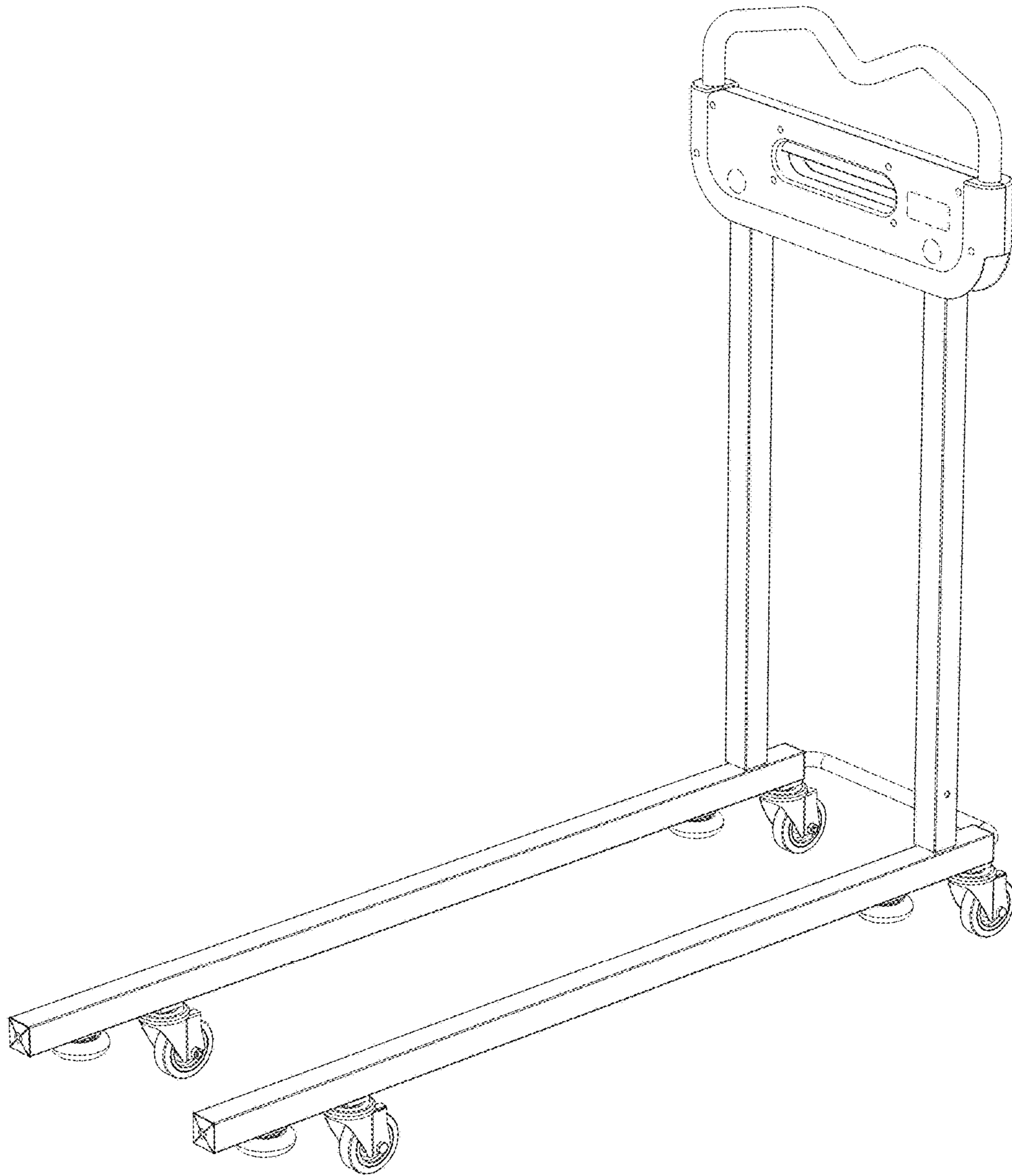


FIG. 5

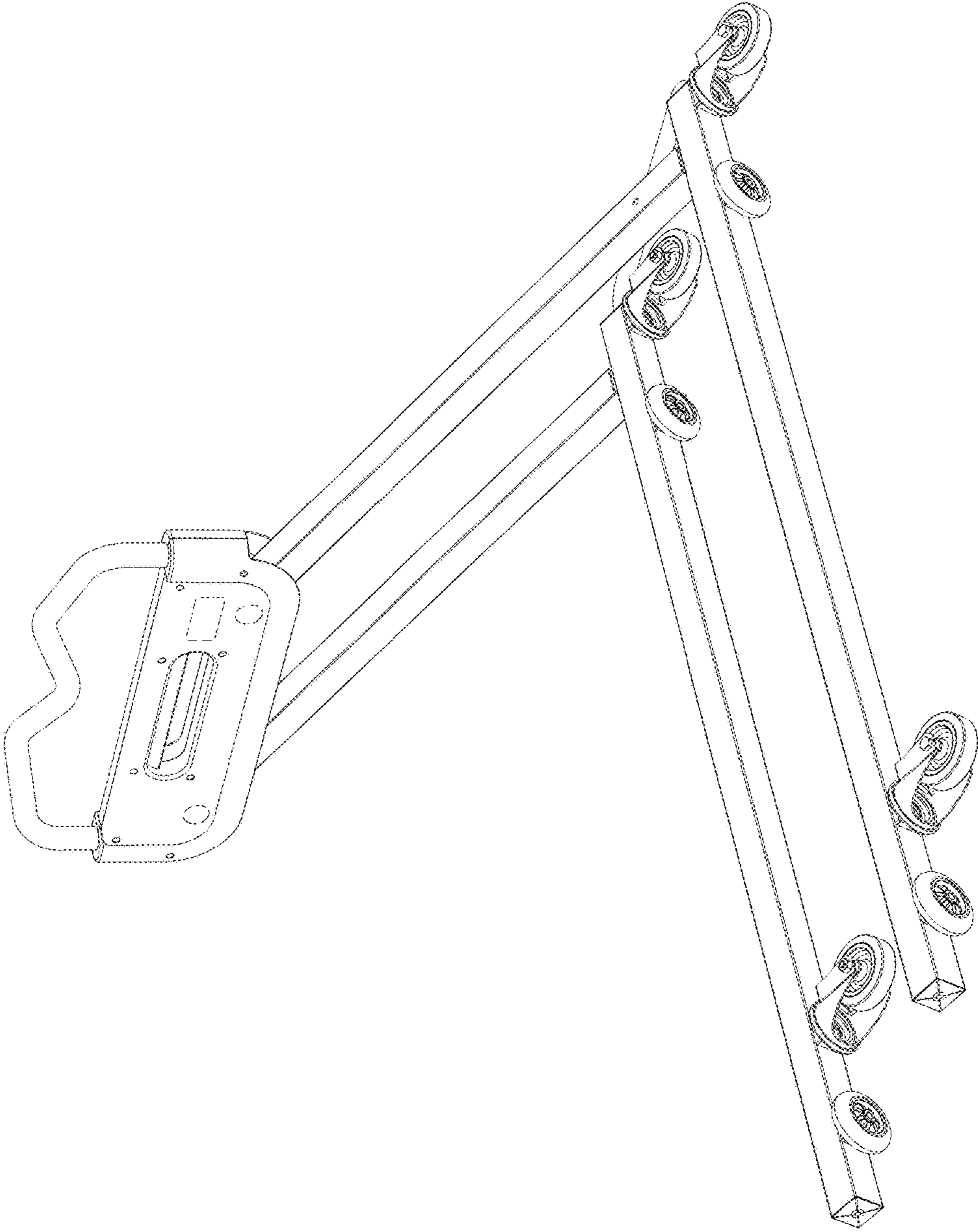


FIG. 6